



US00D612910S

(12) **United States Design Patent**  
**Lammel et al.**

(10) **Patent No.:** **US D612,910 S**  
(45) **Date of Patent:** **\*\* Mar. 30, 2010**

(54) **FAUCET**

(75) Inventors: **Michael Lammel**, Aachen (DE);  
**Michael Zeisel**, Aachen (DE)

(73) Assignee: **KWC AG**, Unterkulm (CH)

(\*\*) Term: **14 Years**

(21) Appl. No.: **29/332,391**

(22) Filed: **Feb. 13, 2009**

(30) **Foreign Application Priority Data**

Sep. 17, 2008 (CH) ..... 135.427

(51) **LOC (9) Cl.** ..... **23-02**

(52) **U.S. Cl.** ..... **D23/238**

(58) **Field of Classification Search** ..... D23/238,  
D23/241-243, 255-257; 4/675-678; 137/801,  
137/359; D8/350-353; D6/550

See application file for complete search history.

(56) **References Cited**

**U.S. PATENT DOCUMENTS**

- D363,767 S \* 10/1995 Swaim ..... D23/260
- D364,215 S \* 11/1995 Starck ..... D23/242
- D510,412 S 10/2005 Lammel et al.
- D510,613 S 10/2005 Lammel et al.
- D526,389 S 8/2006 Lammel et al.
- D538,402 S 3/2007 Lammel et al.
- D539,870 S 4/2007 Lammel et al.
- D566,238 S 4/2008 Lammel et al.
- D567,908 S \* 4/2008 Semchuck et al. .... D23/238

- D570,960 S \* 6/2008 Semchuck et al. .... D23/238
- D590,918 S \* 4/2009 Gessi ..... D23/238
- D603,481 S \* 11/2009 Zetsche et al. .... D23/242

**OTHER PUBLICATIONS**

- U.S. Appl. No. 29/300,695, filed Apr. 28, 2008, Lammel, et al.
- U.S. Appl. No. 29/332,391, filed Feb. 13, 2009, Lammel, et al.
- U.S. Appl. No. 29/332,391, filed Feb. 13, 2009, Lammel, et al.
- U.S. Appl. No. 29/335,510, filed Apr. 16, 2009, Lammel, et al.
- U.S. Appl. No. 29/332,391, filed Feb. 13, 2009, Lammel, et al.
- U.S. Appl. No. 29/311,904, filed Jul. 29, 2009, Lammel, et al.

\* cited by examiner

*Primary Examiner*—Robert A Delehanty

(74) *Attorney, Agent, or Firm*—Oblon, Spivak, McClelland,  
Maier & Neustadt, L.L.P.

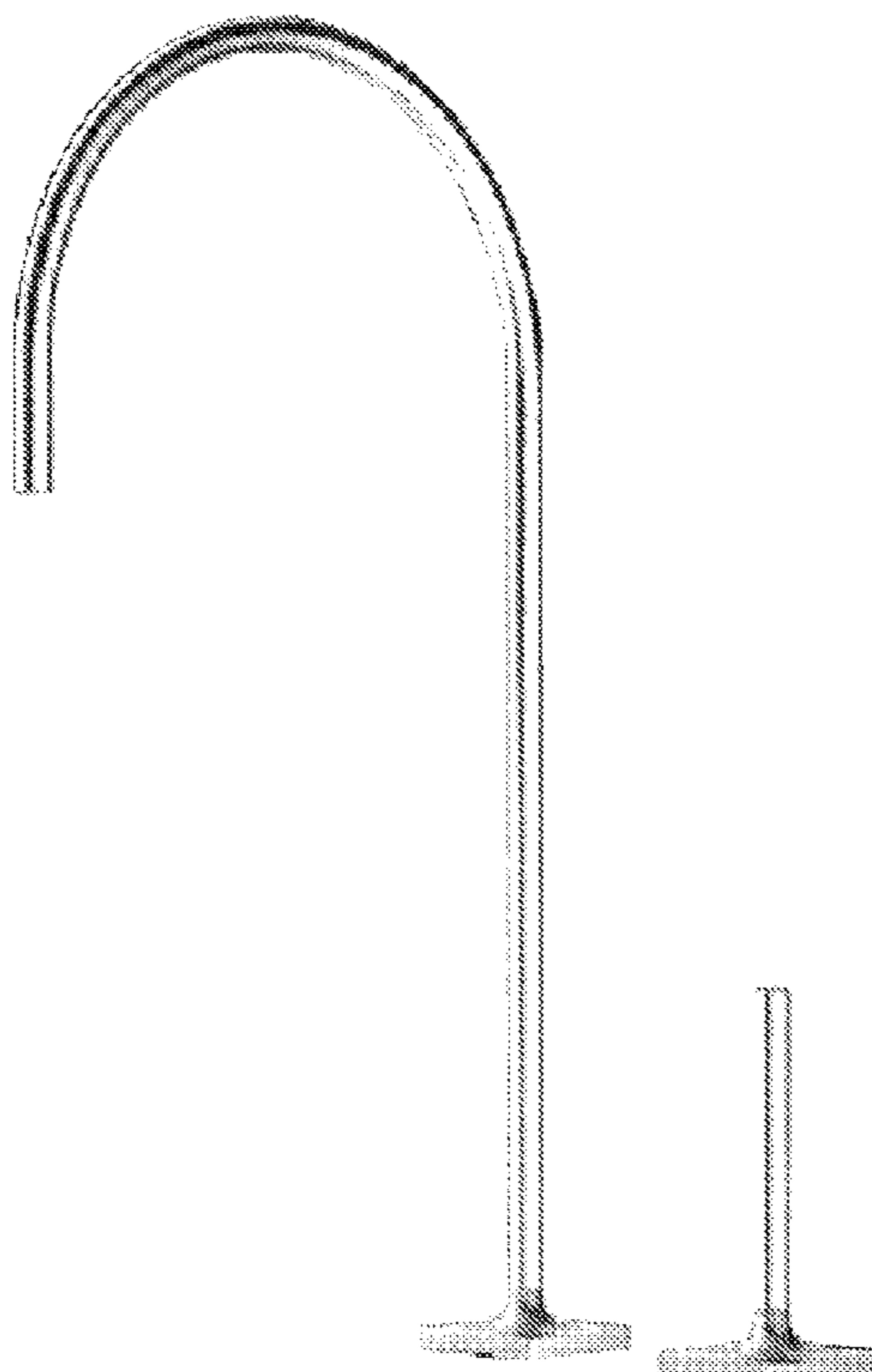
(57) **CLAIM**

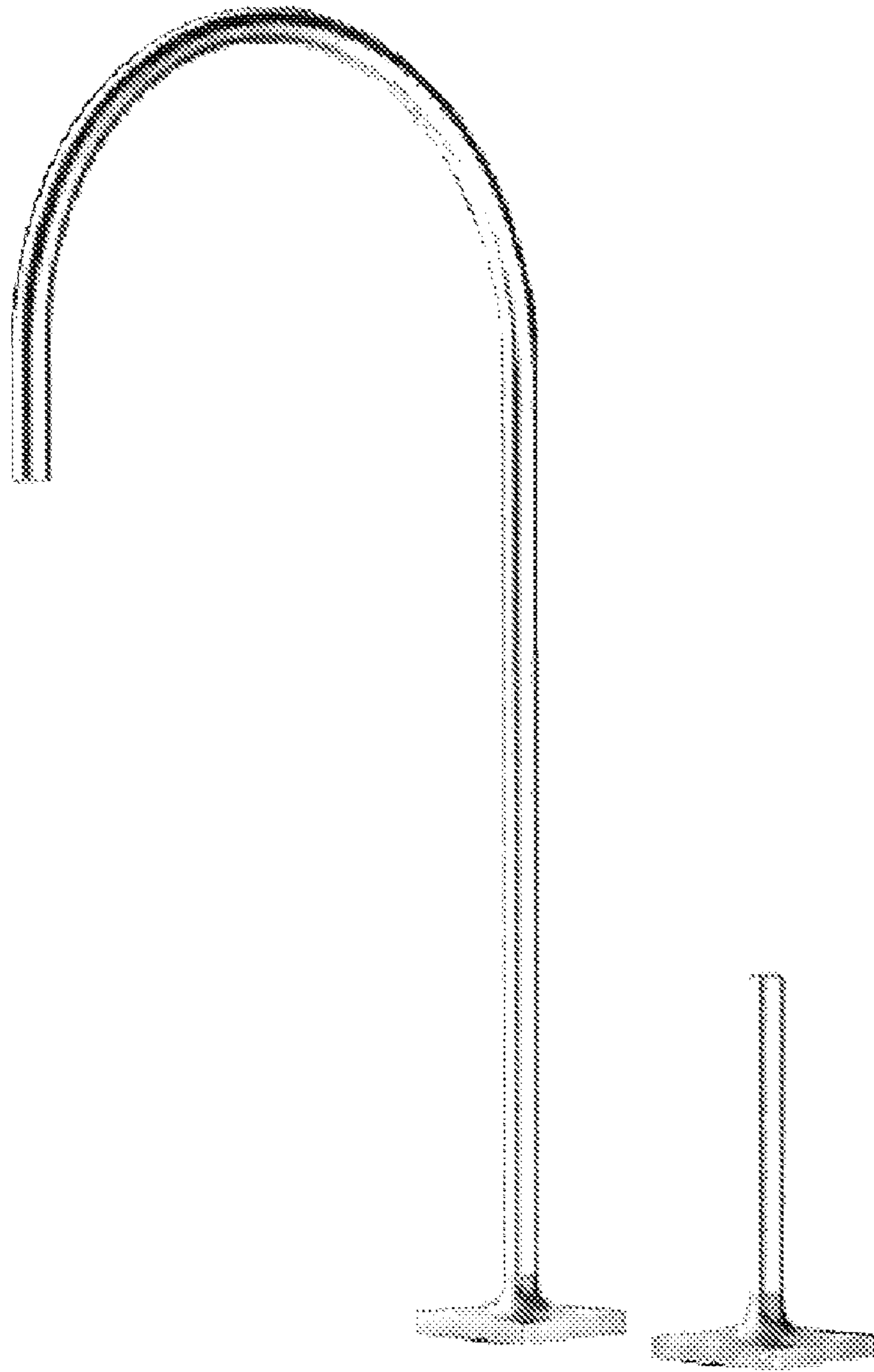
The new, original, and ornamental design for a faucet, as shown and described.

**DESCRIPTION**

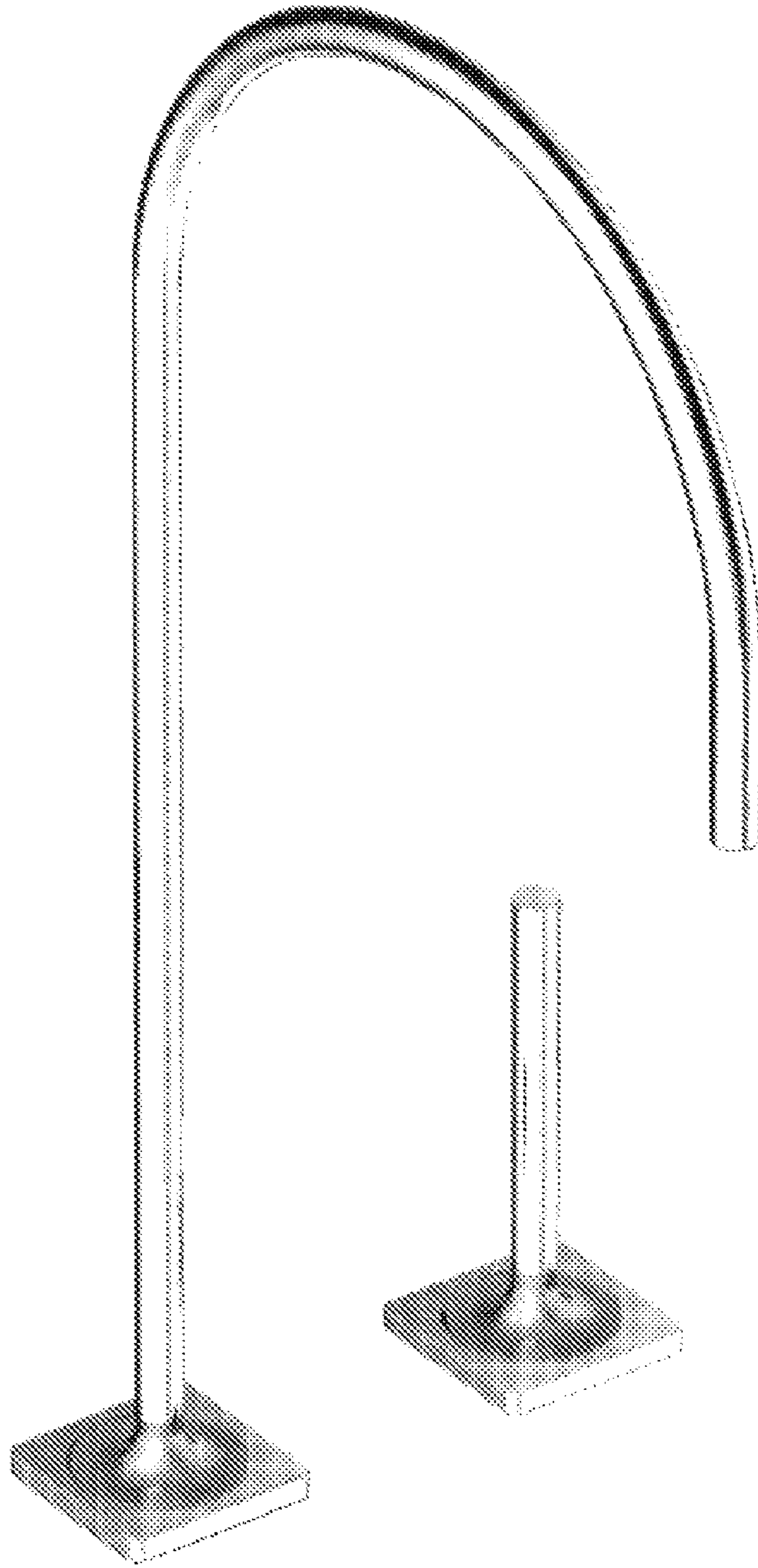
- FIG. 1 is a top, front right perspective view of a faucet;
- FIG. 2 is a top, front left perspective view thereof;
- FIG. 3 is a top plan view thereof;
- FIG. 4 is a front elevational view thereof;
- FIG. 5 is a rear elevational view thereof;
- FIG. 6 is a right side elevational view thereof; and,
- FIG. 7 is a left side elevational view thereof.

**1 Claim, 7 Drawing Sheets**

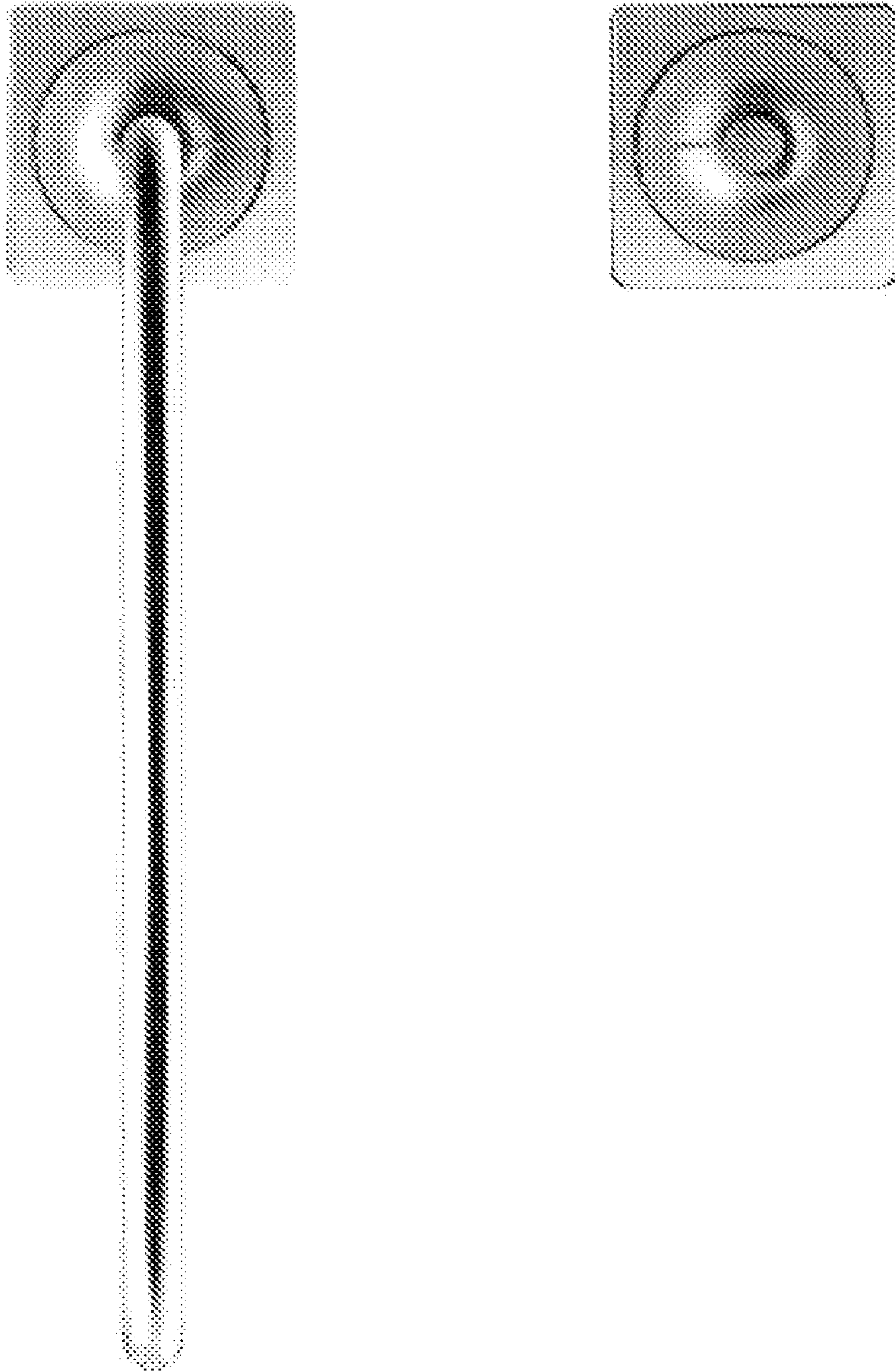




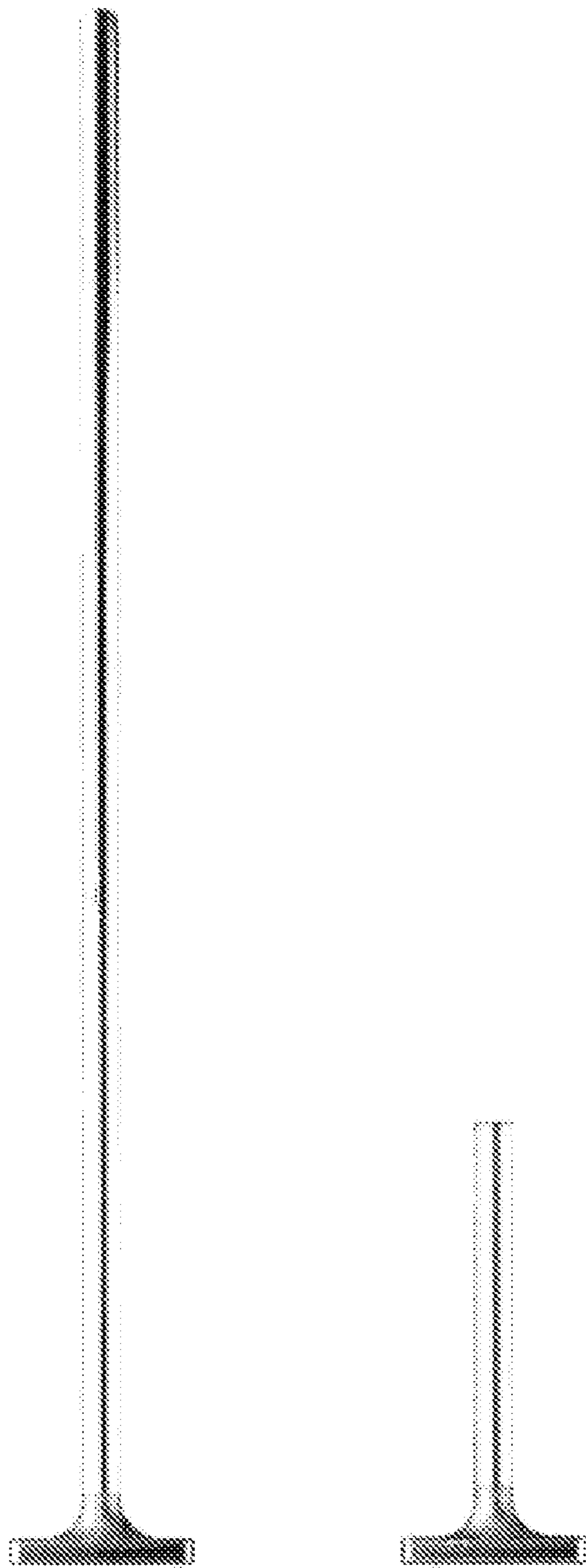
*Fig. 1*



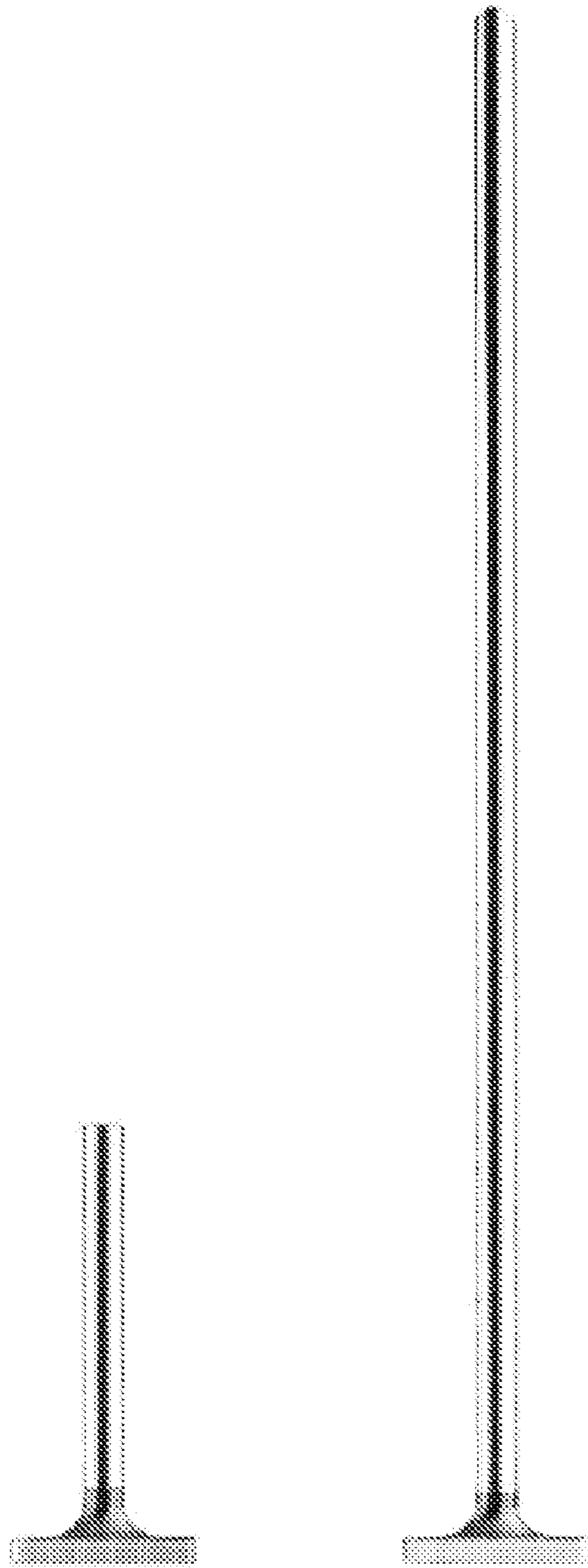
*Fig. 2*



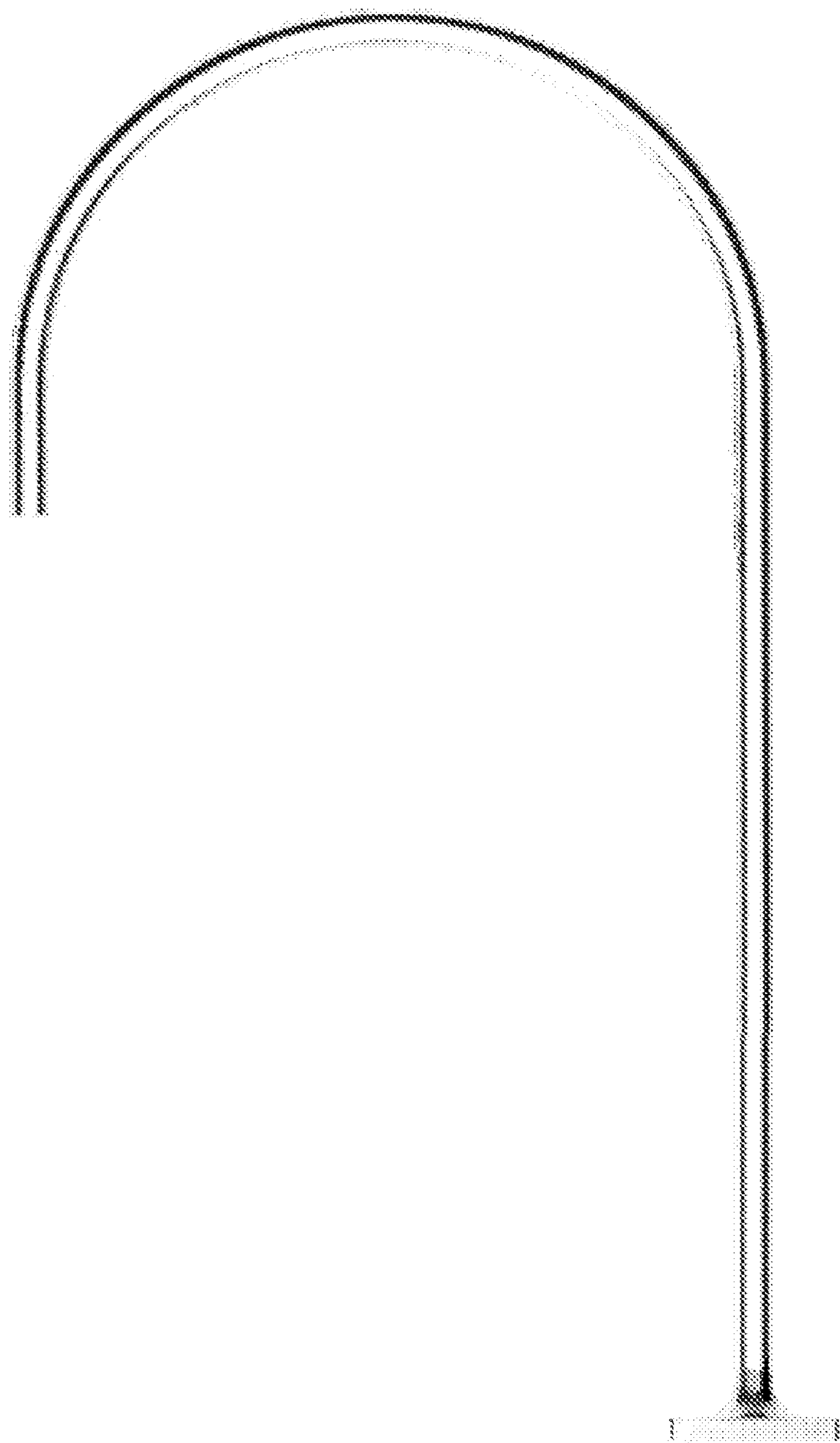
*Fig. 3*



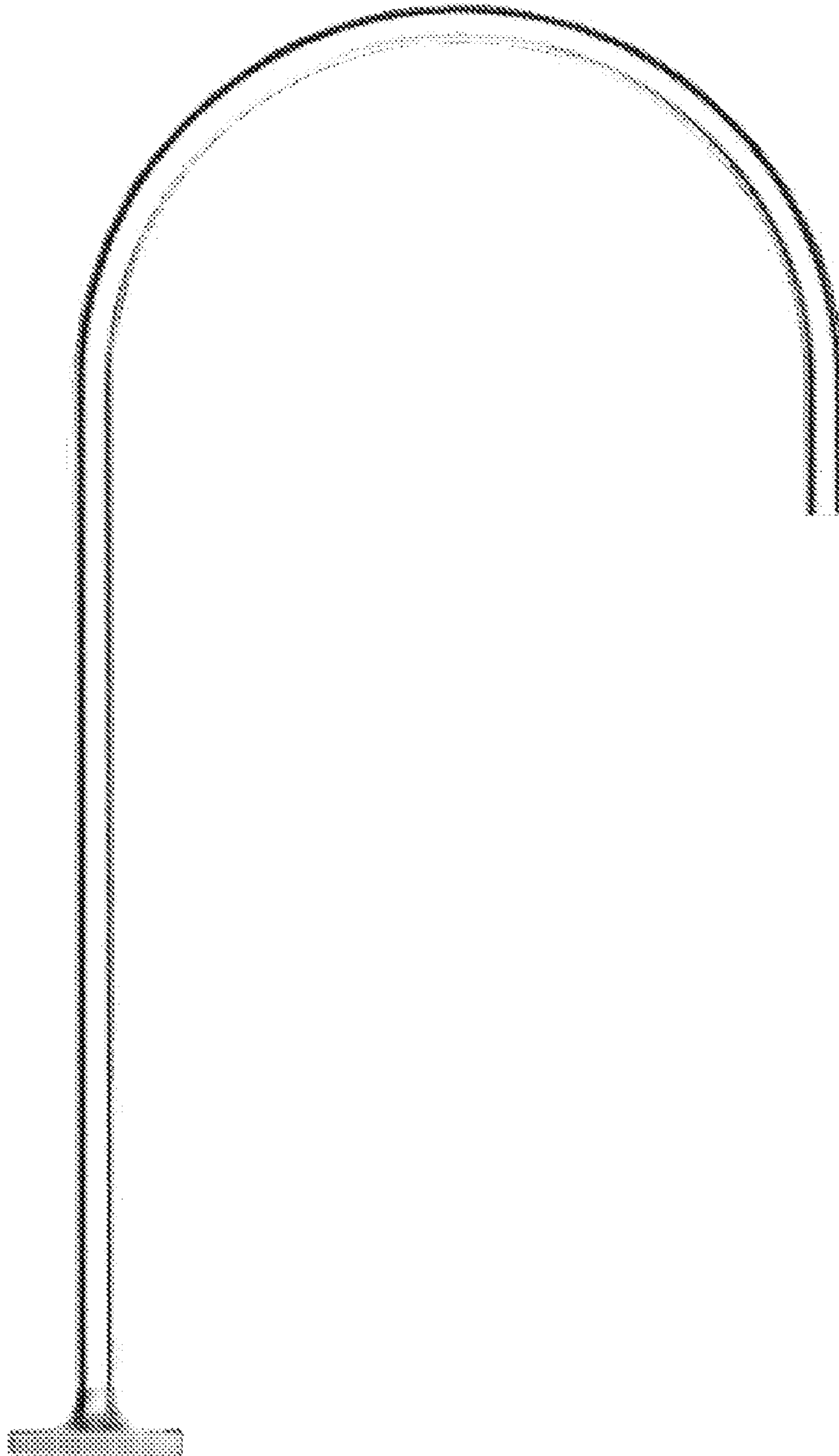
*Fig. 4*



*Fig. 5*



*Fig. 6*



*Fig. 7*