



US00D612905S

(12) **United States Design Patent**  
**Genord et al.**

(10) **Patent No.:** **US D612,905 S**  
(45) **Date of Patent:** **\*\* Mar. 30, 2010**

(54) **DISPENSER**

(75) Inventors: **Daniel Genord**, Walled Lake, MI (US);  
**Christopher King**, Hampton, NJ (US);  
**Pawel Rudzinski**, Montvale, NJ (US)

(73) Assignee: **Reckitt Benckiser Inc.**, Parsippany, NJ (US)

(\*\*) Term: **14 Years**

(21) Appl. No.: **29/329,314**

(22) Filed: **Dec. 12, 2008**

(30) **Foreign Application Priority Data**

Jun. 16, 2006 (EM) ..... 000952817-0001

(51) **LOC (9) Cl.** ..... **23-01**

(52) **U.S. Cl.** ..... **D23/208**

(58) **Field of Classification Search** ..... D23/208,  
D23/366; 4/223, 225.1, 227.1, 231  
See application file for complete search history.

(56) **References Cited**

**U.S. PATENT DOCUMENTS**

D191,106 S \* 8/1961 Pannutti ..... D23/208

D202,888 S \* 11/1965 Mabler ..... D23/208  
D274,834 S \* 7/1984 May ..... D23/208  
D275,594 S \* 9/1984 Hewson ..... D23/208

\* cited by examiner

*Primary Examiner*—Robin V Webster

(74) *Attorney, Agent, or Firm*—Norris, McLaughlin & Marcus

(57) **CLAIM**

The ornamental design for a dispenser, as shown and described.

**DESCRIPTION**

FIG. 1 is a front perspective view of our dispenser;

FIG. 2 is an elevational view of the front thereof;

FIG. 3 is an elevational view of the rear thereof;

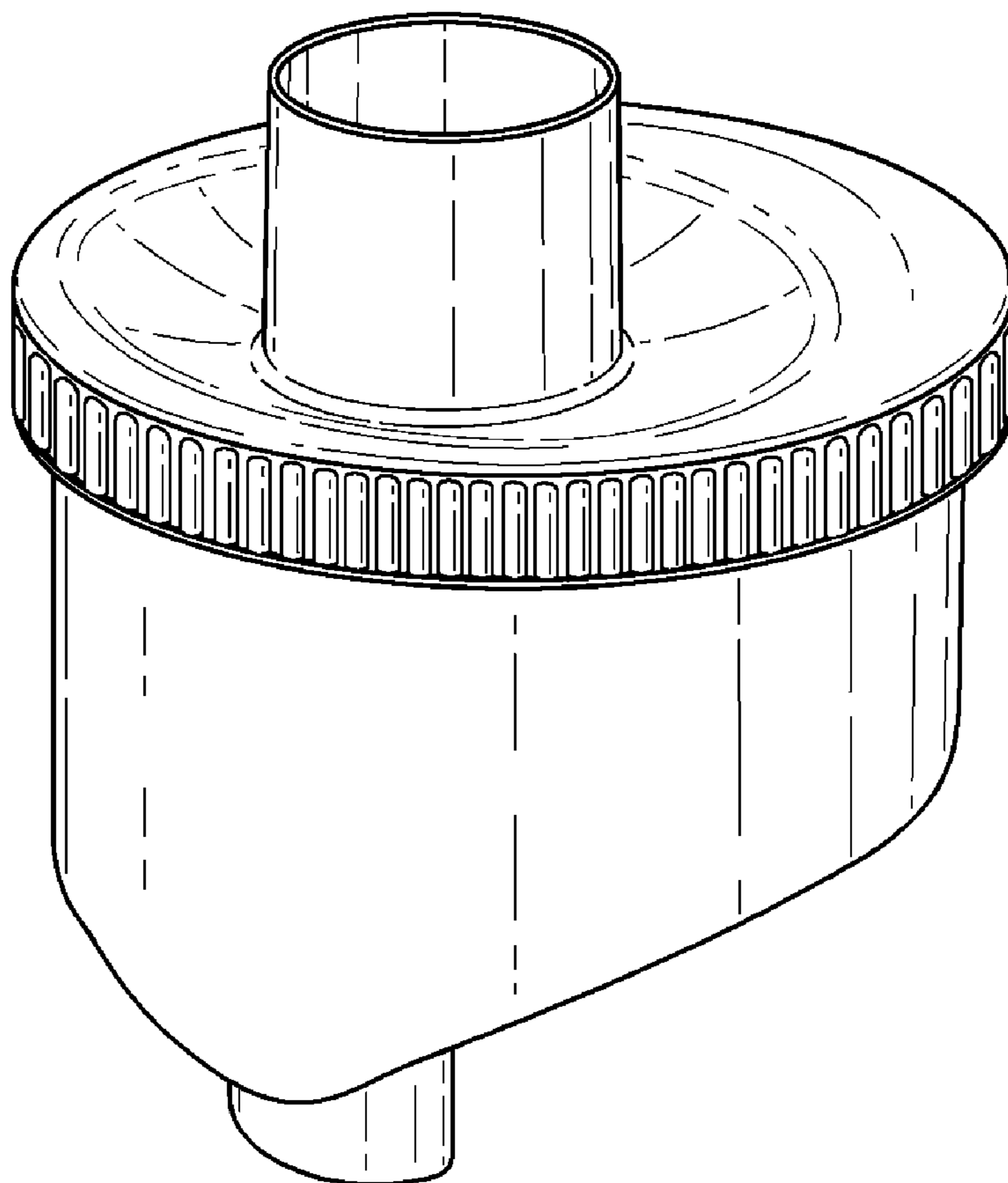
FIG. 4 is a plan view of the top thereof;

FIG. 5 is a plan view of the bottom thereof;

FIG. 6 is an elevational view of the left side thereof; and,

FIG. 7 is an elevational view of the right side thereof.

**1 Claim, 4 Drawing Sheets**



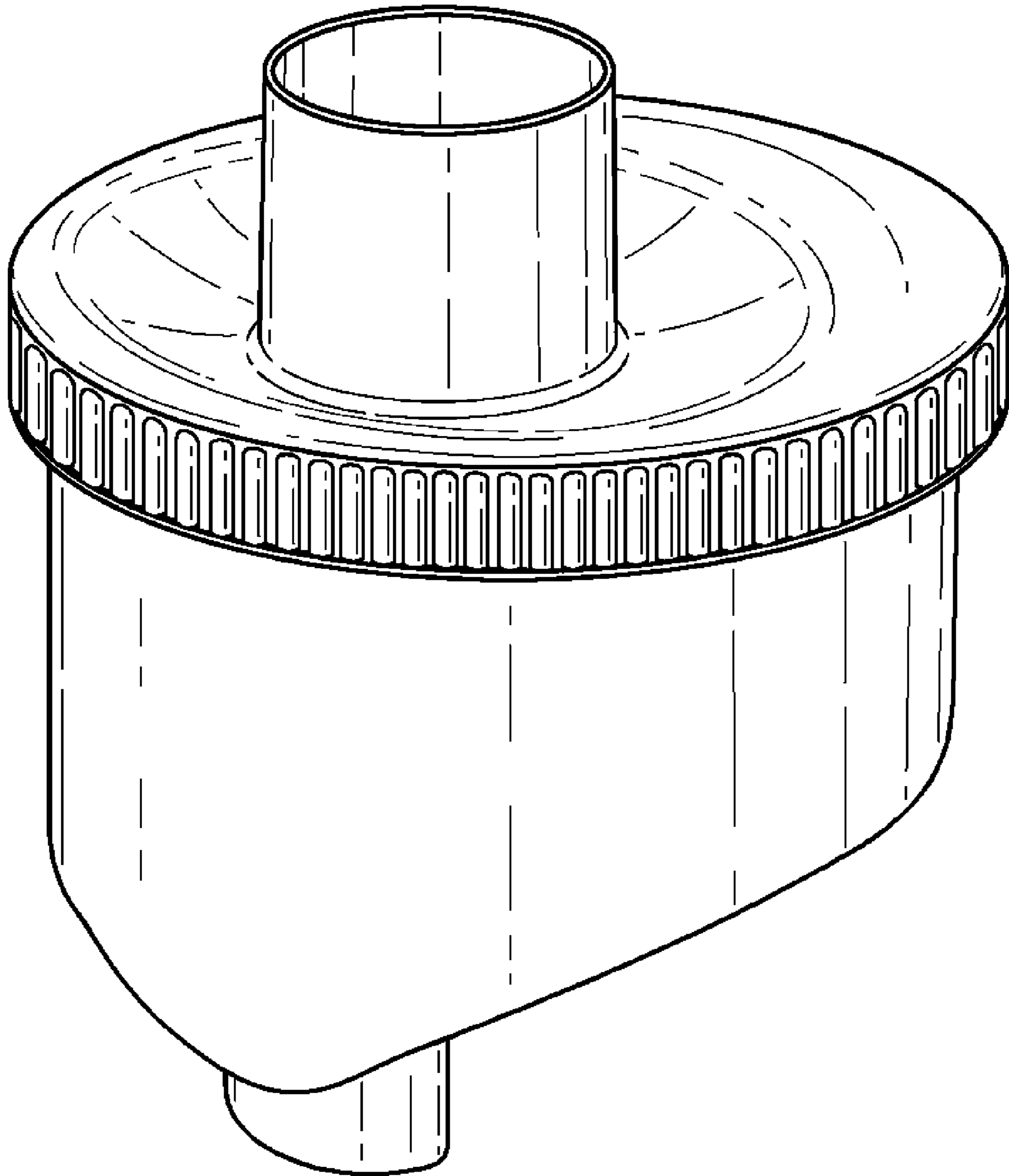


Fig. 1.

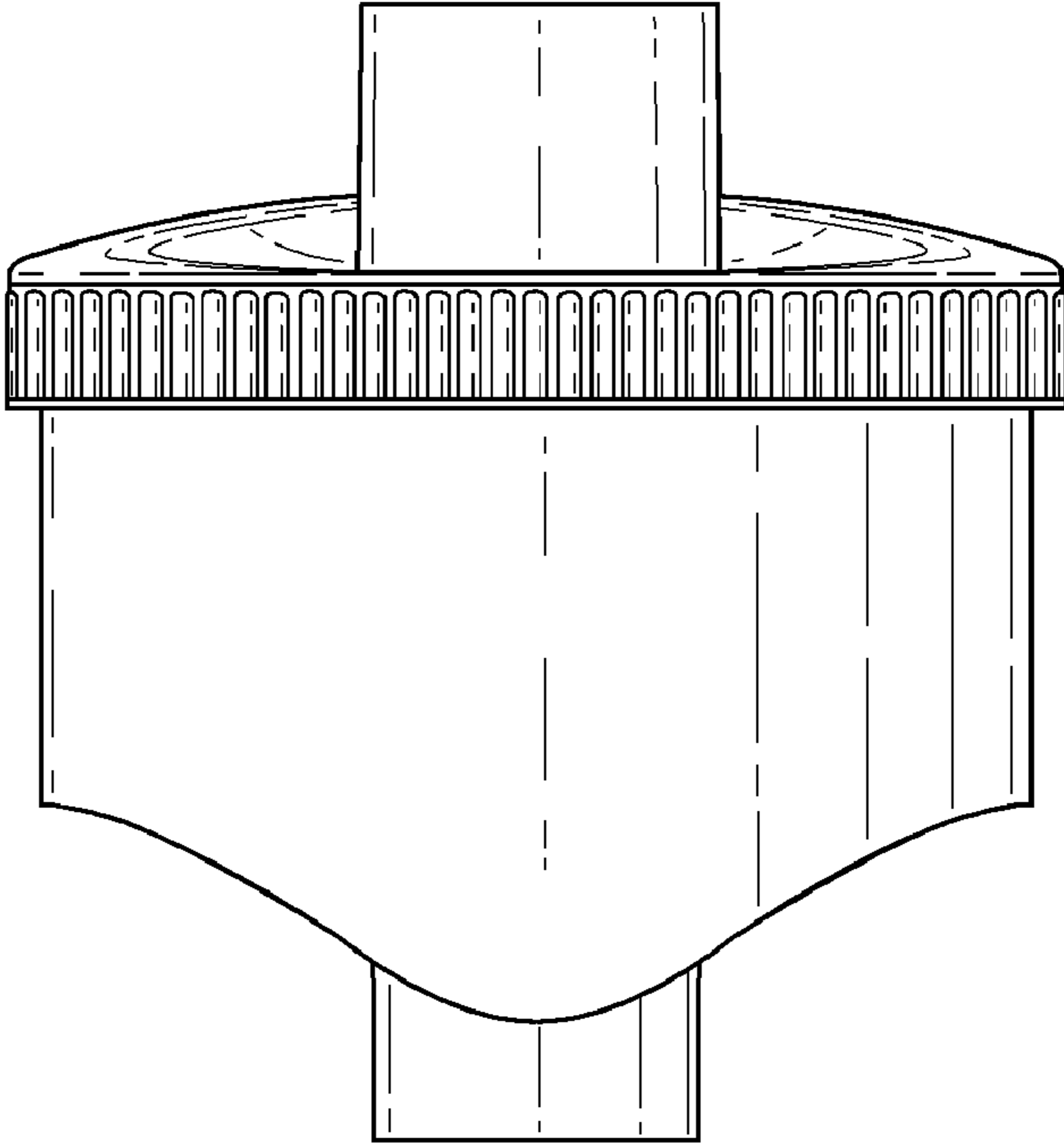


Fig.2.

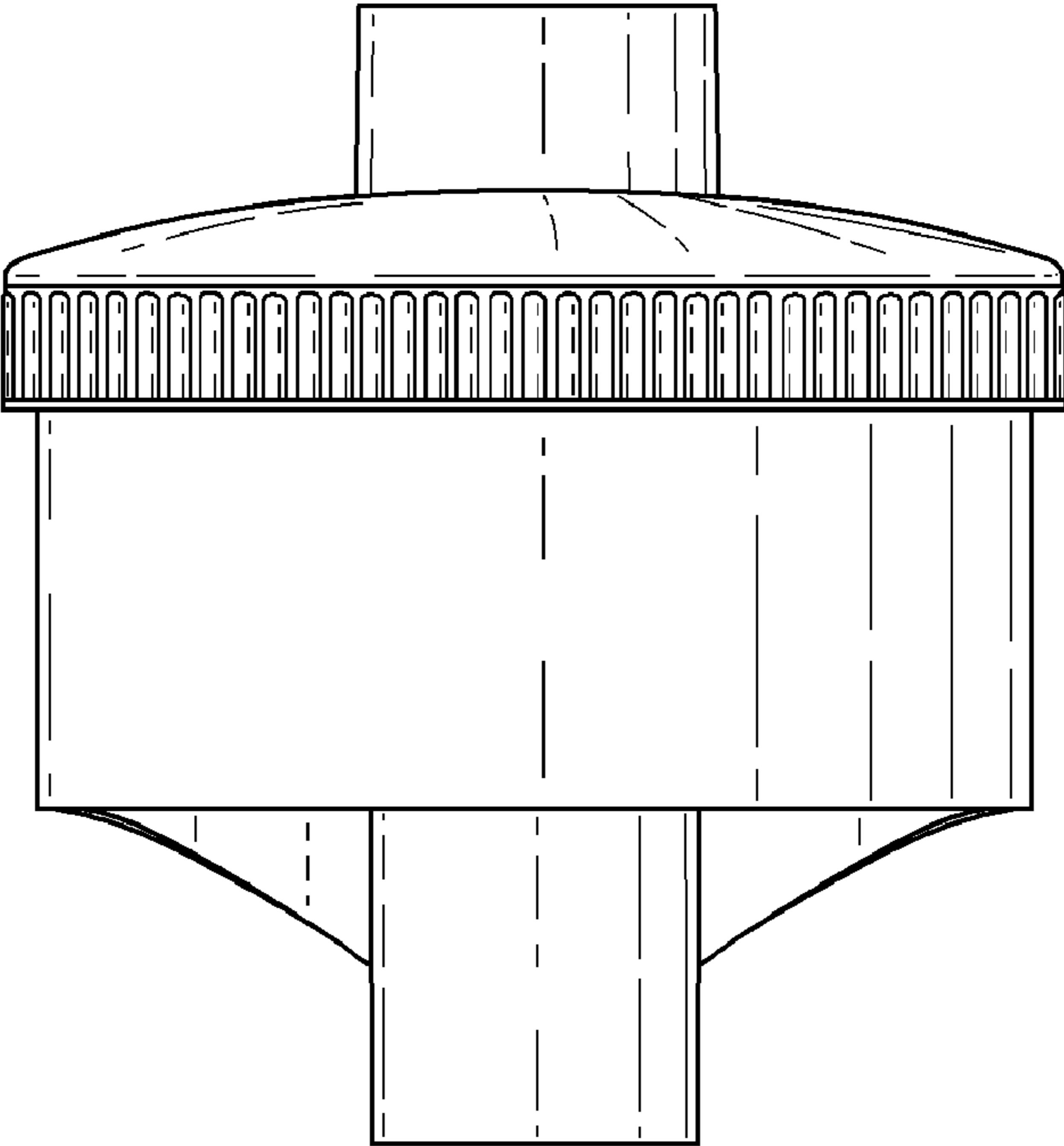


Fig.3.

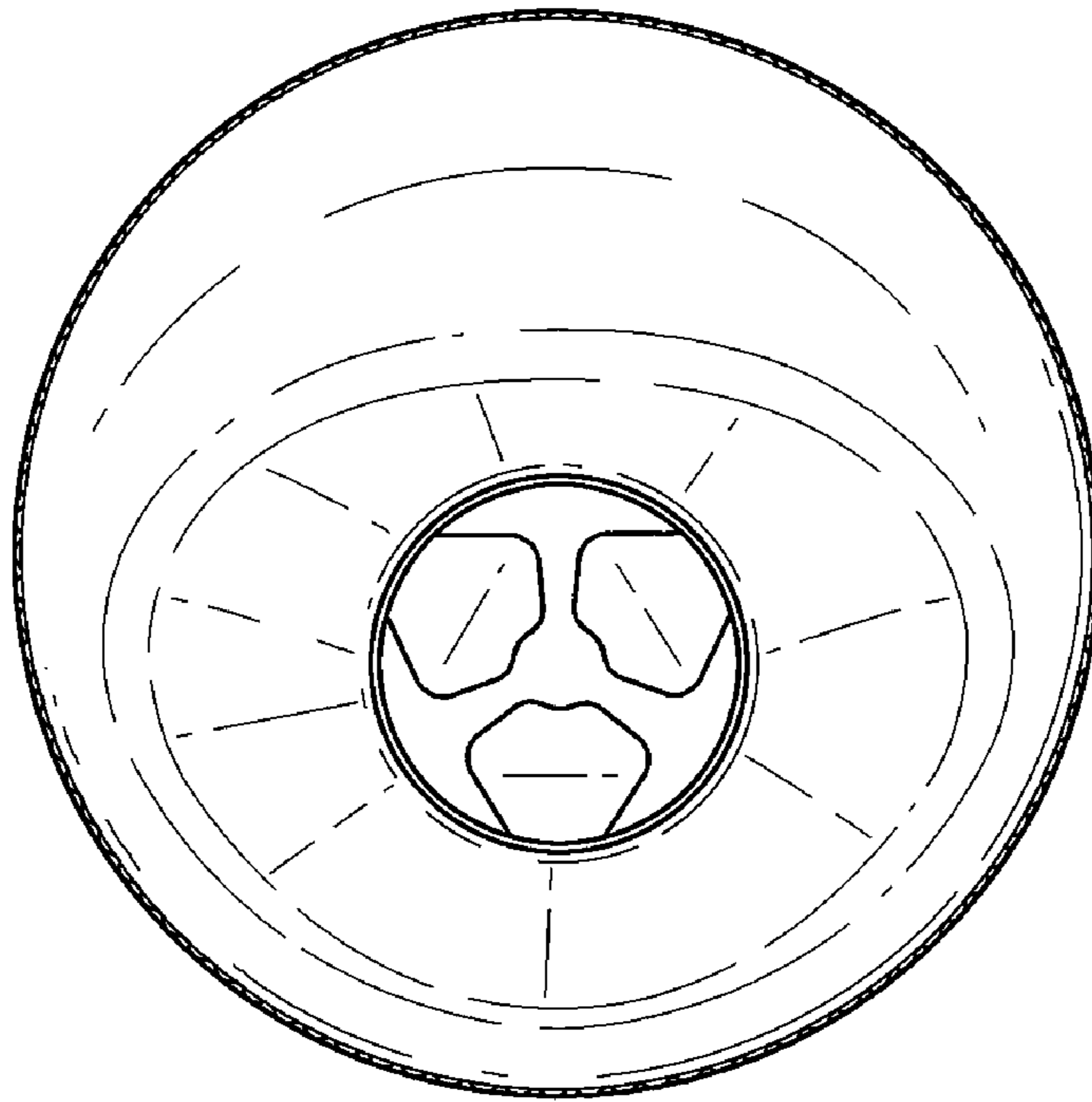


Fig.4.

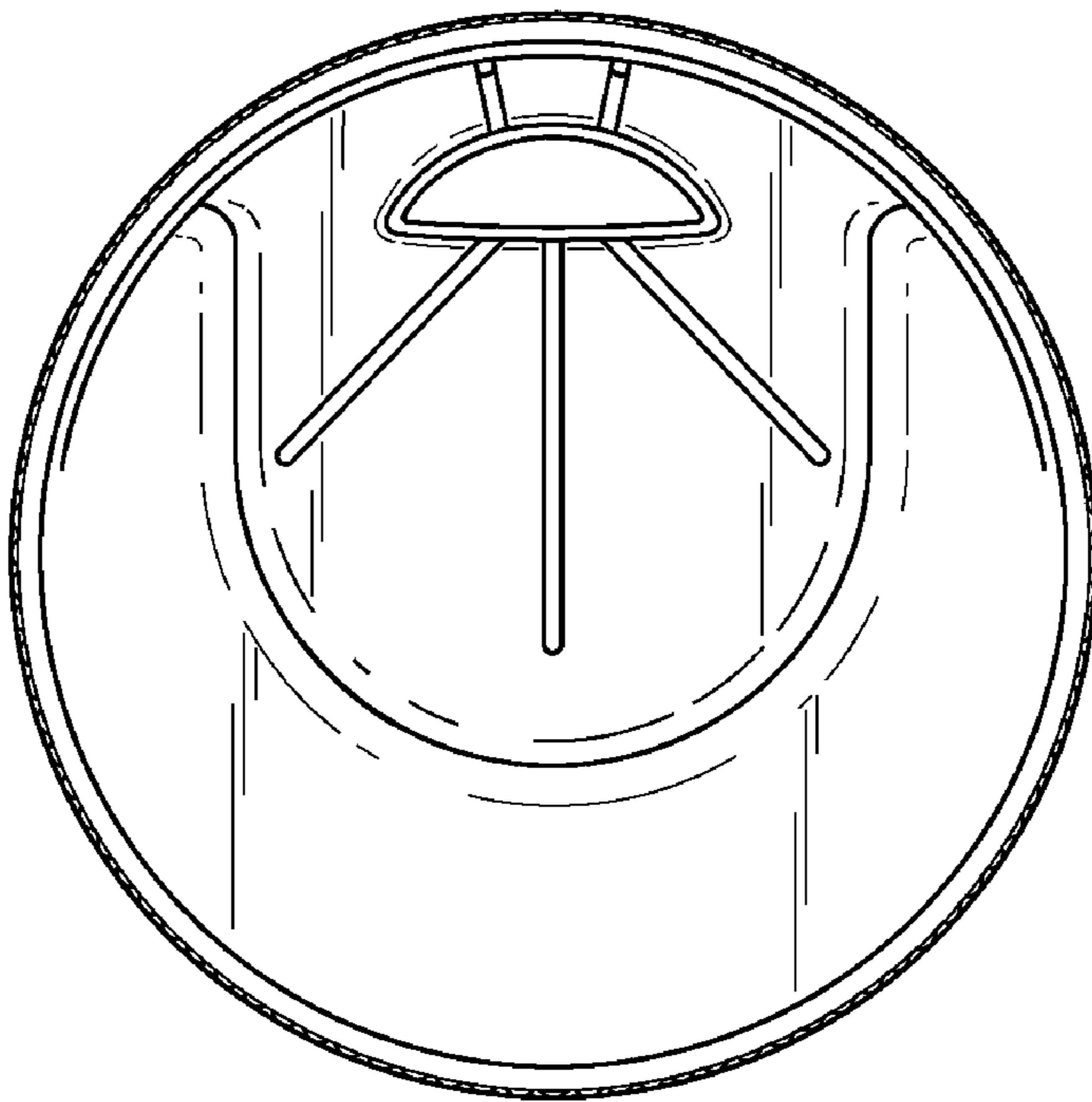


Fig.5.

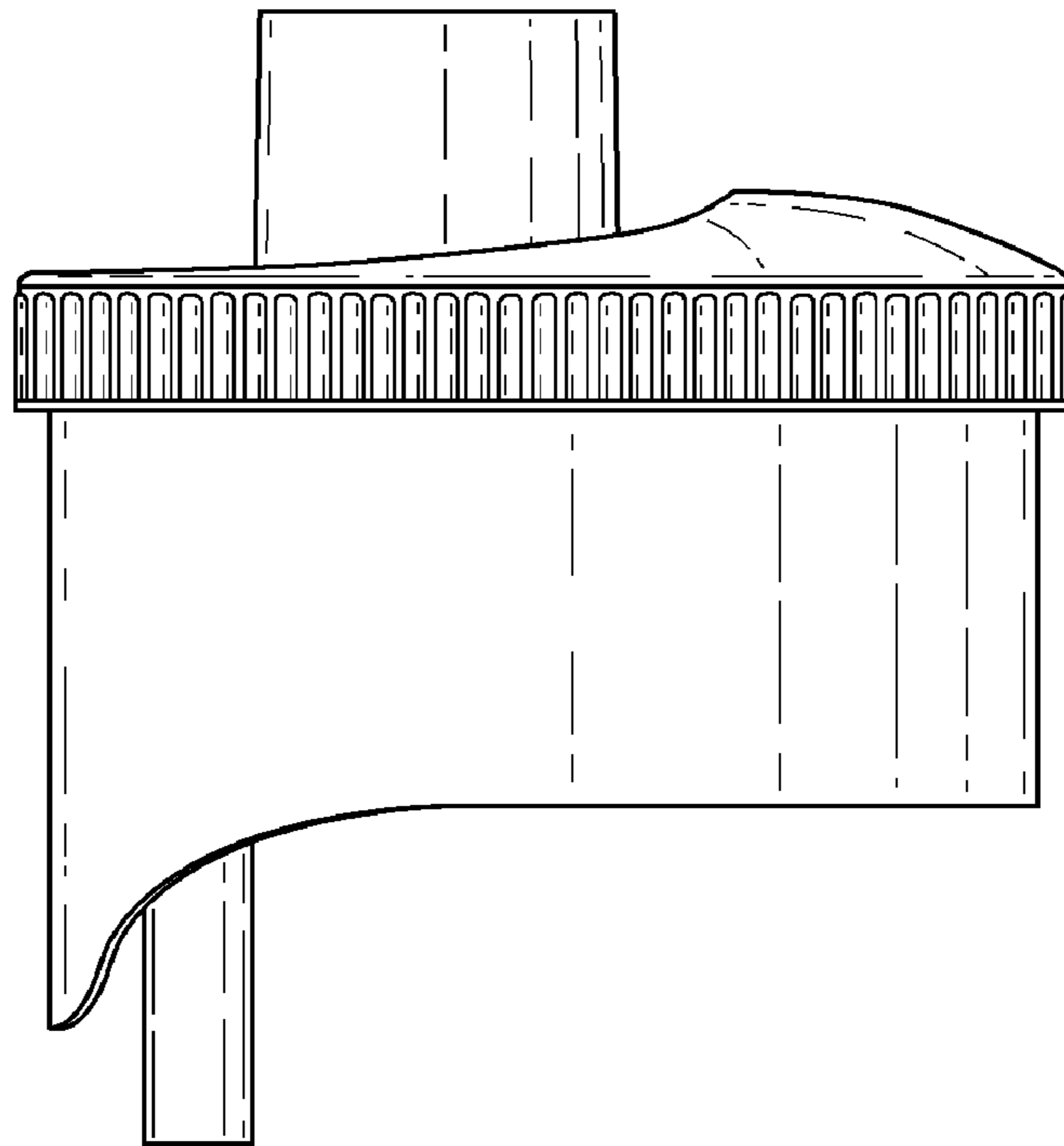


Fig.6.

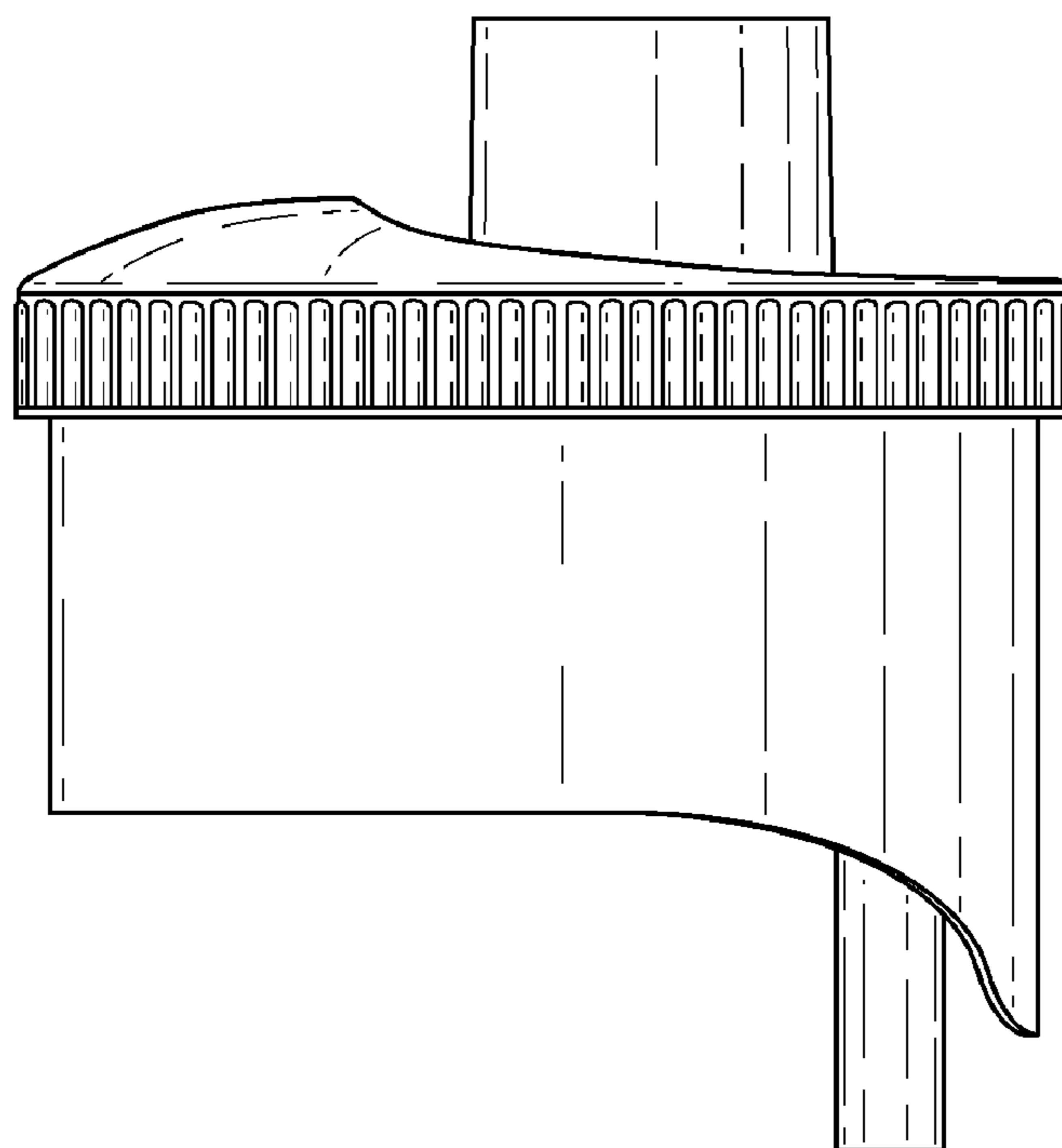


Fig.7.

UNITED STATES PATENT AND TRADEMARK OFFICE  
**CERTIFICATE OF CORRECTION**

PATENT NO. : Des. 612,905 S  
APPLICATION NO. : 29/329314  
DATED : March 30, 2010  
INVENTOR(S) : Daniel Genord

Page 1 of 1

It is certified that error appears in the above-identified patent and that said Letters Patent is hereby corrected as shown below:

Title Page;  
Item [30], the Foreign Application Priority Data:

“Jun. 16, 2006 (EM) 000952817-0001” should read

-- Jun. 16, 2008 (EM) 000952817-0001 --

Signed and Sealed this

First Day of June, 2010

A handwritten signature in black ink that reads "David J. Kappos". The signature is written in a cursive, flowing style.

David J. Kappos  
*Director of the United States Patent and Trademark Office*