



US00D612904S

(12) **United States Design Patent**  
**Alley et al.**

(10) **Patent No.:** **US D612,904 S**  
(45) **Date of Patent:** **\*\* Mar. 30, 2010**

(54) **THREE-ROD FISHING POLE  
HOLDER/ORGANIZER**

D582,507 S 12/2008 Alley  
D582,508 S 12/2008 Alley  
D586,425 S 2/2009 Alley

(76) Inventors: **Corey James Alley**, P.O. Box 8747,  
Madeira Beach, FL (US) 33738; **Sandra  
K Alley**, P.O. Box 8747, Madeira Beach,  
FL (US) 33738

\* cited by examiner

*Primary Examiner*—Catherine R Oliver  
(74) *Attorney, Agent, or Firm*—Larson & Larson, P.A.; Frank  
Liebenow

(\*\*) Term: **14 Years**

(21) Appl. No.: **29/333,303**

(57) **CLAIM**

(22) Filed: **Mar. 6, 2009**

I claim the ornamental design for an improved three-rod  
fishing pole holder/organizer, as shown and described.

(51) **LOC (9) Cl.** ..... **22-05**

(52) **U.S. Cl.** ..... **D22/147**

(58) **Field of Classification Search** ..... D22/147,  
D22/134, 149; 43/21.2, 25.2, 25; 206/315.11;  
24/336, 338; 211/70.2, 70.8; D6/552, 455,  
D6/457-458, 469, 466-468

See application file for complete search history.

**DESCRIPTION**

FIG. 1 is a front elevation view of the improved three-rod  
fishing pole holder/organizer showing my novel design;

FIG. 2 is a rear elevation view thereof;

FIG. 3 is a left side view thereof;

FIG. 4 is a right side view thereof;

FIG. 5 is a top plan view thereof;

FIG. 6 is a bottom plan view thereof; and,

FIG. 7 is a perspective view thereof.

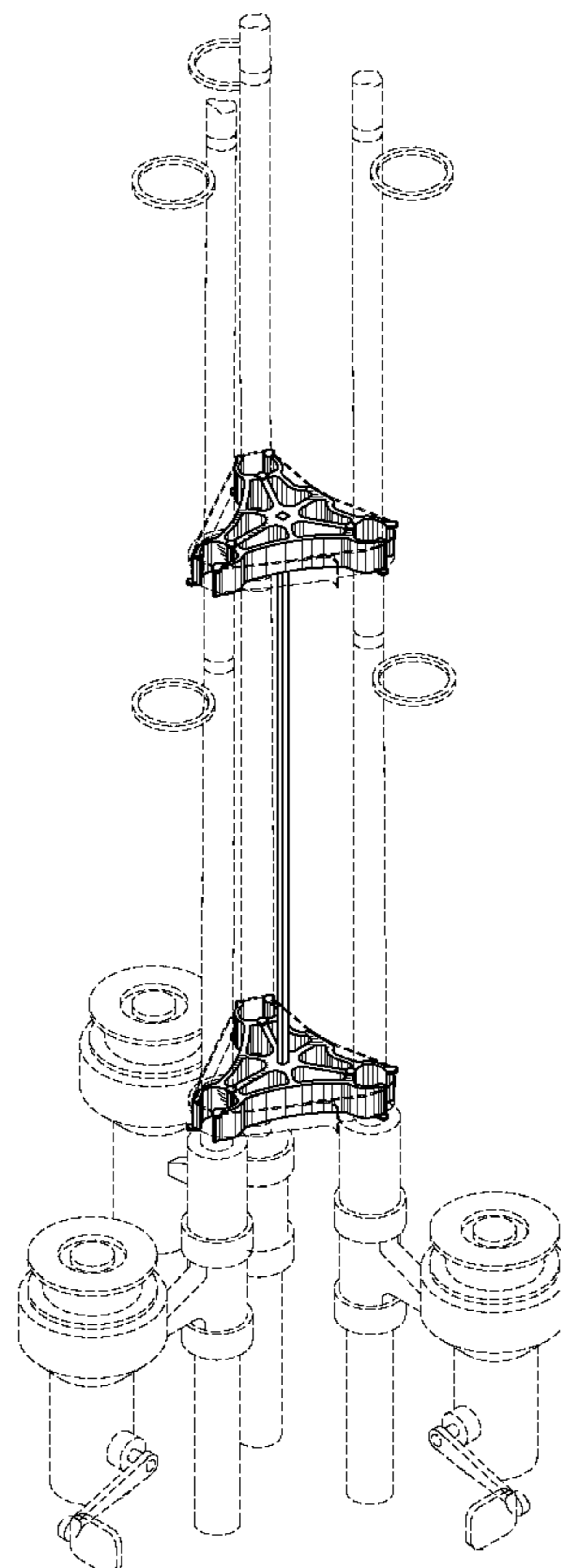
The broken lines shown in FIG. 7 are for illustrative purposes  
only and form no part of the claimed design.

(56) **References Cited**

**U.S. PATENT DOCUMENTS**

- 4,707,892 A \* 11/1987 Nelson ..... 43/25.2
- 5,072,539 A \* 12/1991 Greenberg ..... 43/21.2
- D394,575 S \* 5/1998 Mikloczak et al. .... D6/552
- 5,794,375 A \* 8/1998 Wright ..... 43/25
- D426,282 S \* 6/2000 Harmon ..... D22/147
- D546,102 S \* 7/2007 Lawrence ..... D6/552

**1 Claim, 4 Drawing Sheets**



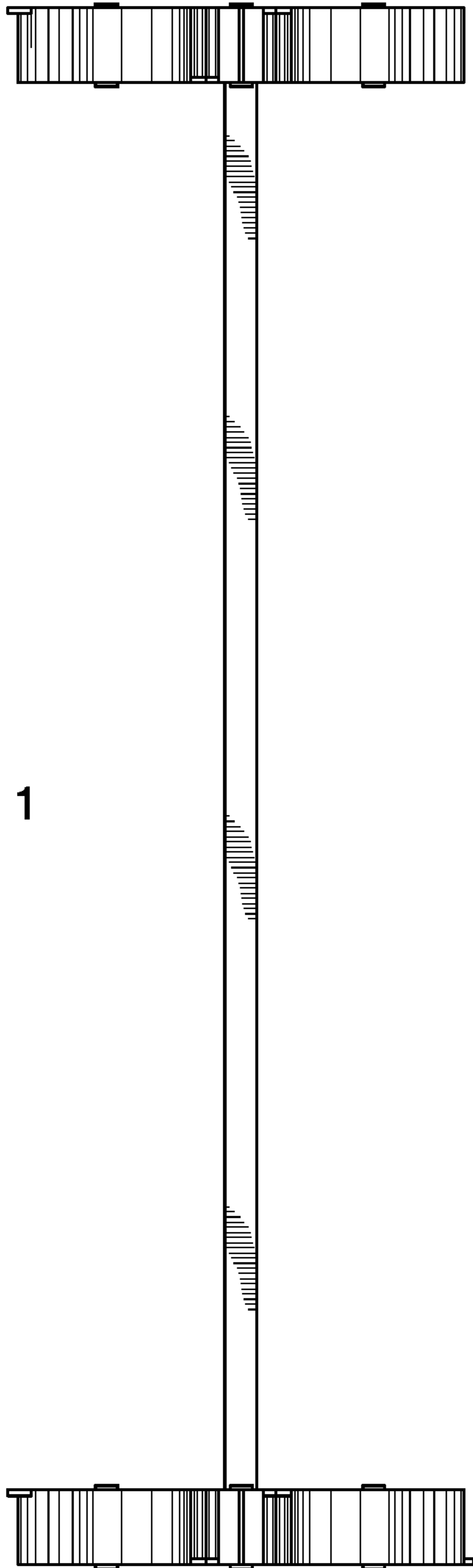


FIG. 1

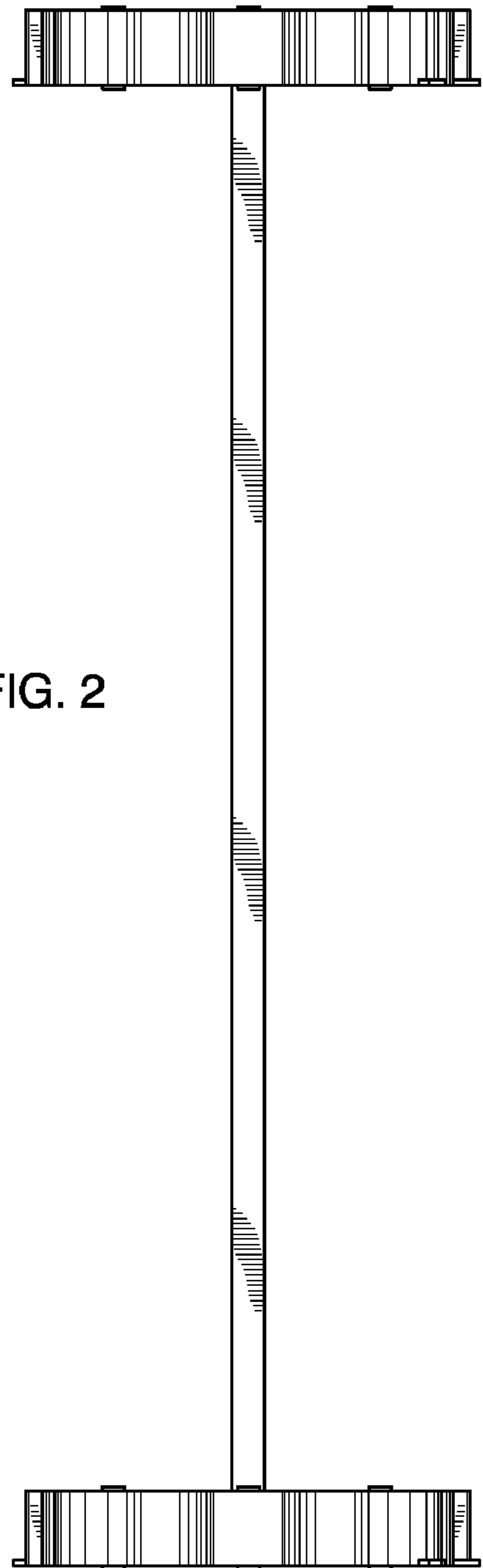


FIG. 2

FIG. 3

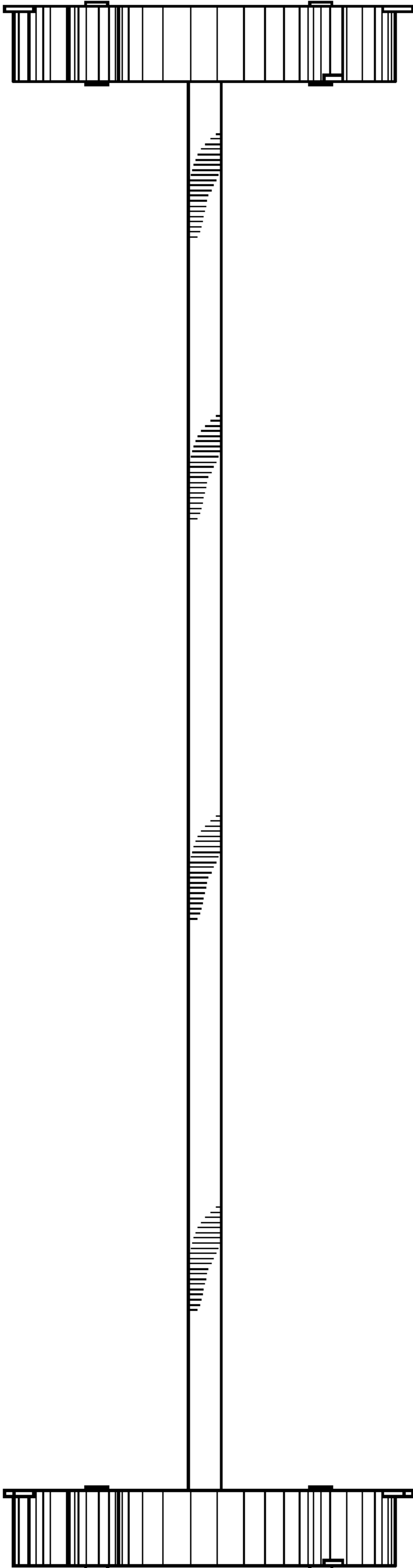


FIG. 4

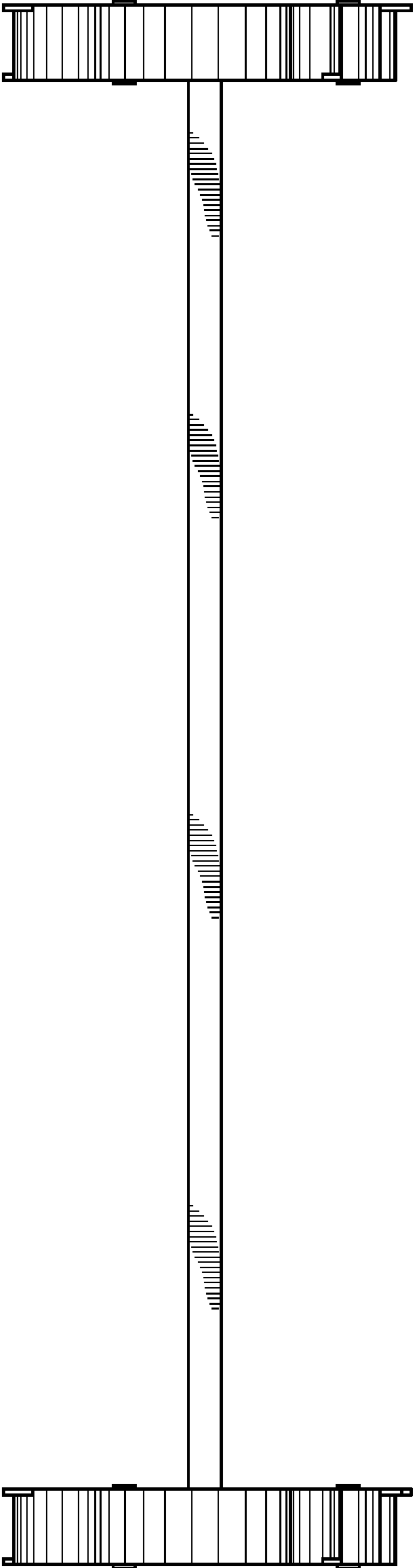


FIG. 5

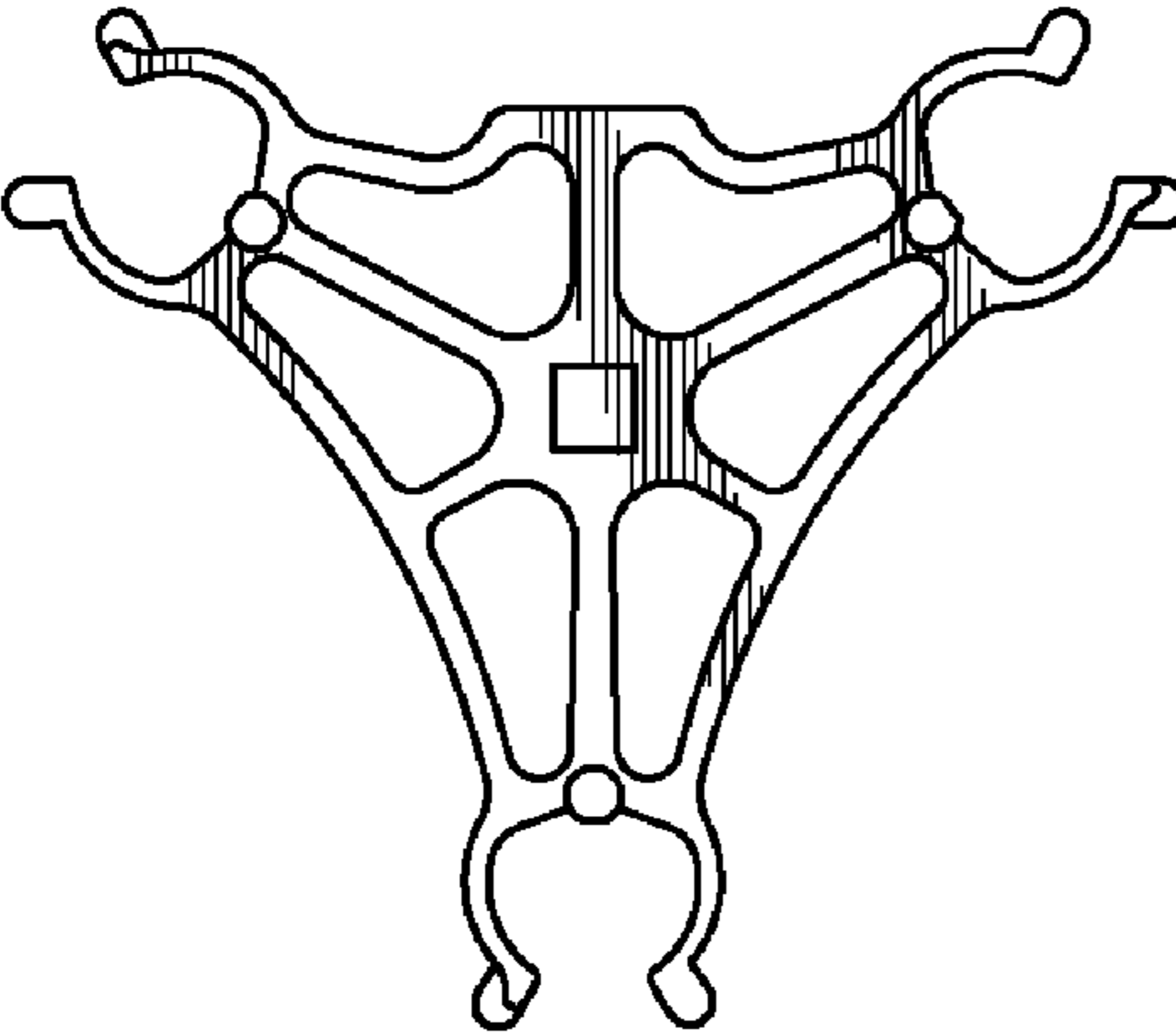


FIG. 6

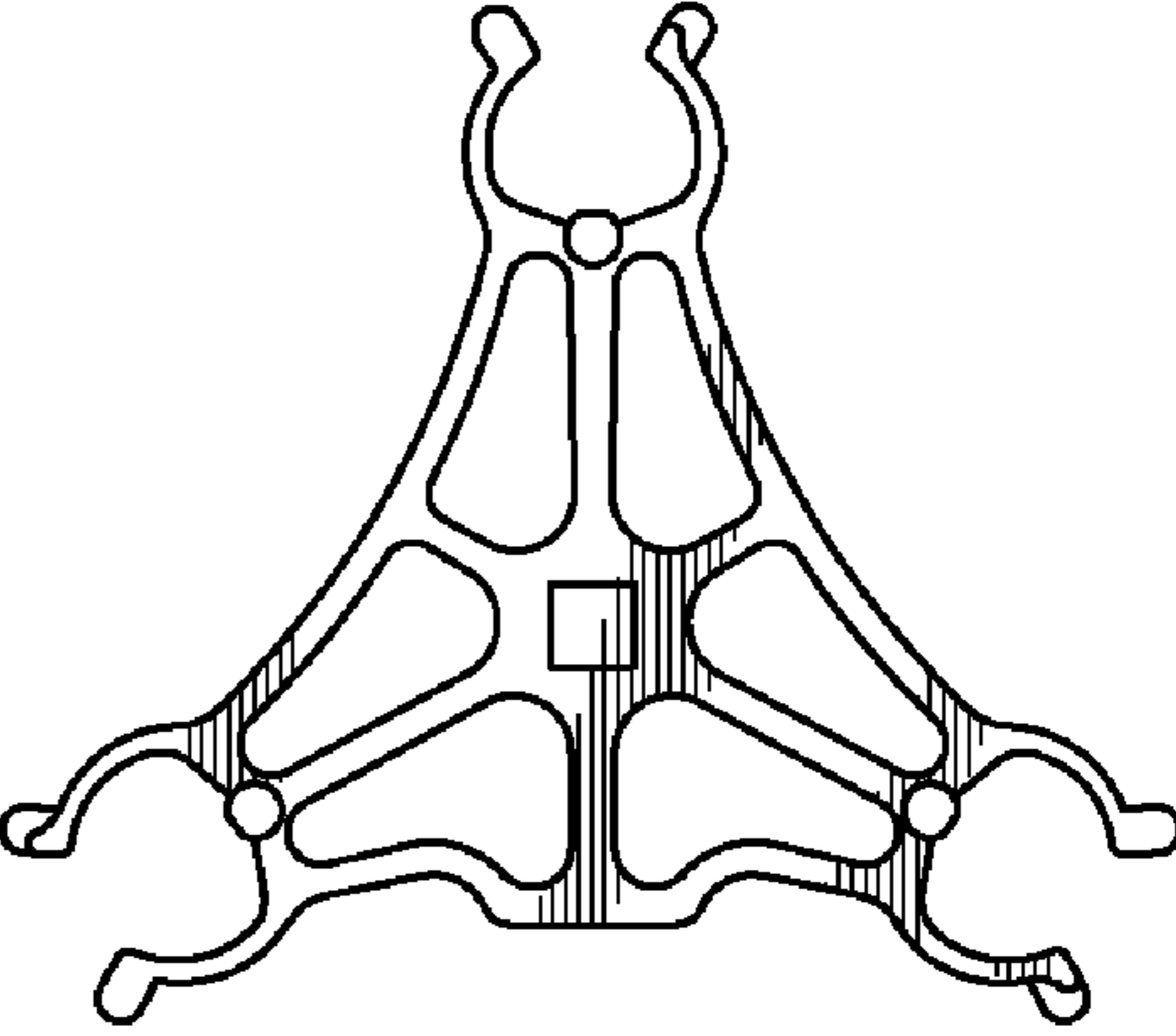


FIG. 7

