



US00D612901S

(12) **United States Design Patent**
Oldknow

(10) **Patent No.:** **US D612,901 S**
(45) **Date of Patent:** **** Mar. 30, 2010**

(54) **GOLF CLUB HEAD**
(75) Inventor: **Andrew G. V. Oldknow**, Beaverton, OR (US)
(73) Assignee: **Nike, Inc.**, Beaverton, OR (US)
(**) Term: **14 Years**
(21) Appl. No.: **29/351,538**
(22) Filed: **Dec. 7, 2009**

D553,210 S 10/2007 Harvell et al.
D553,211 S 10/2007 Harvell et al.
D562,926 S 2/2008 Roberts et al.
D586,869 S 2/2009 Holiman et al.
D594,520 S 6/2009 Schweigert et al.
D600,767 S * 9/2009 Horacek et al. D21/759
D604,784 S * 11/2009 Horacek et al. D21/759
D606,607 S * 12/2009 Cooper et al. D21/759

* cited by examiner

Primary Examiner—Mitchell I Siegel
(74) *Attorney, Agent, or Firm*—Banner & Witcoff, Ltd.

(51) **LOC (9) Cl.** **21-02**
(52) **U.S. Cl.** **D21/759**
(58) **Field of Classification Search** D21/733,
D21/752, 759; 473/324–331, 343–346
See application file for complete search history.

(57) **CLAIM**

The ornamental design for a golf club head, as shown and described.

DESCRIPTION

FIG. 1 is a bottom perspective view of a golf club head showing my new design;

FIG. 2 is a bottom view thereof;

FIG. 3 is a toe end view thereof; and,

FIG. 4 is an enlarged view of FIG. 2 that shows the claimed design.

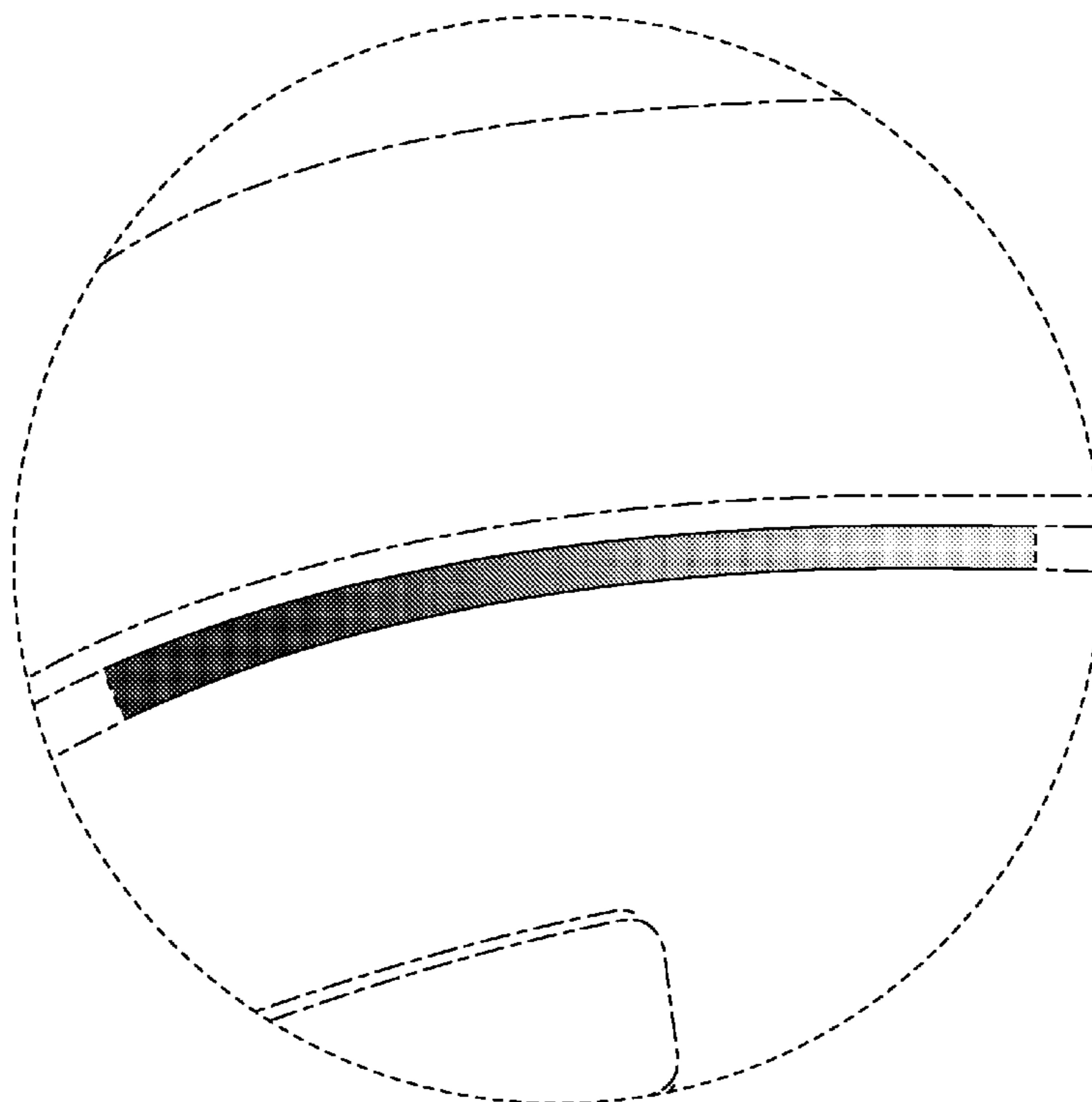
The broken lines immediately adjacent to the longitudinal ends of the shaded area represent unclaimed boundaries and form no part of the claimed design. The remaining broken lines are shown for the purpose of illustrating environmental structure and form no part of the claimed design.

(56) **References Cited**

U.S. PATENT DOCUMENTS

D354,325 S 1/1995 Henwood
D374,899 S 10/1996 Mahaffey
D469,833 S * 2/2003 Roberts et al. D21/748
D482,089 S 11/2003 Burrows
D482,090 S 11/2003 Burrows
D492,378 S * 6/2004 Roberts et al. D21/759
D496,704 S * 9/2004 Roberts et al. D21/759
D498,808 S * 11/2004 Roberts et al. D21/759
D498,809 S * 11/2004 Roberts et al. D21/759
D499,160 S * 11/2004 Wolfe et al. D21/759
D500,542 S * 1/2005 Roberts et al. D21/759
D505,172 S * 5/2005 Roberts et al. D21/759
D508,545 S * 8/2005 Roberts et al. D21/759

1 Claim, 3 Drawing Sheets



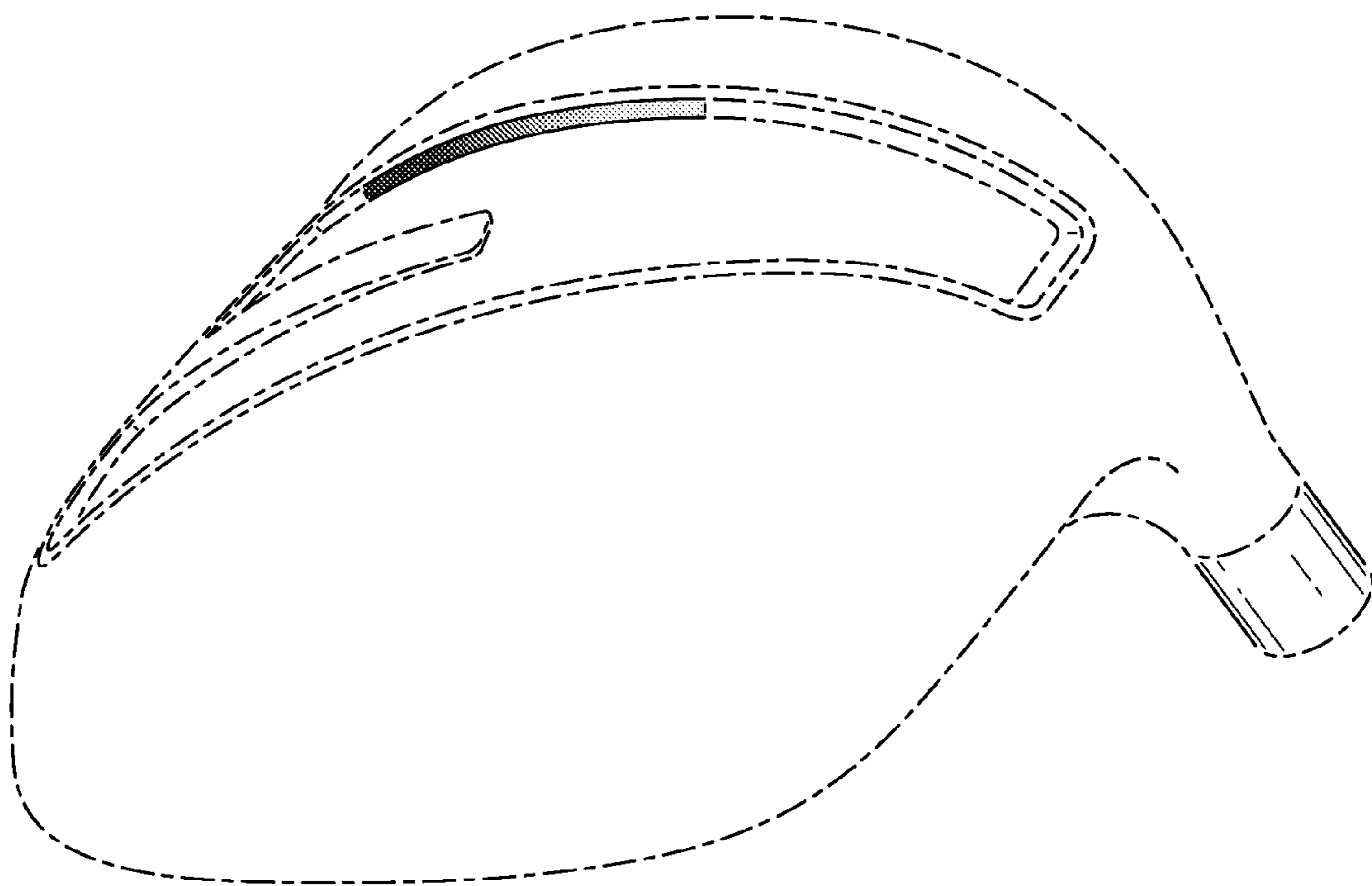


FIG. 1

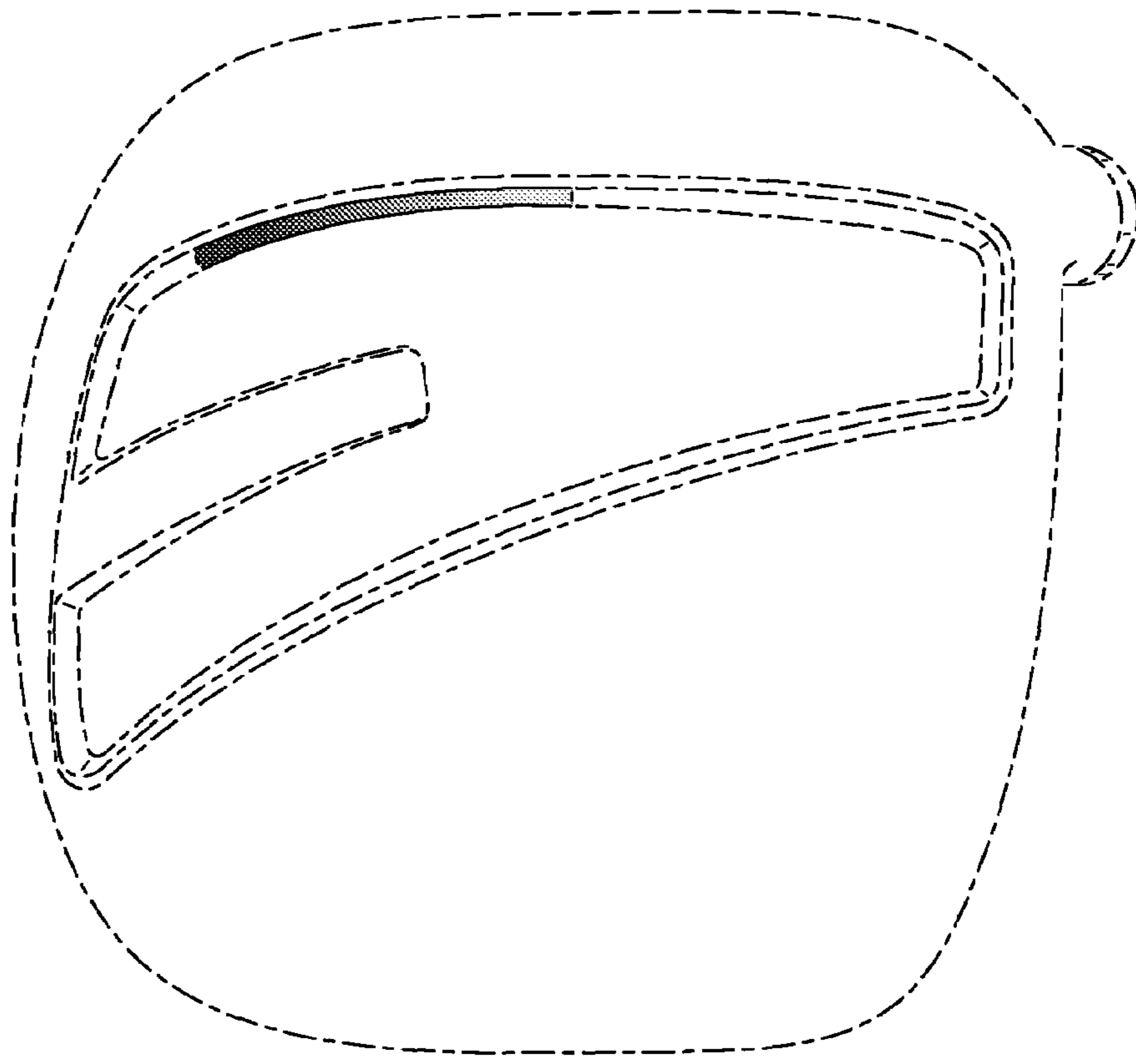


FIG. 2

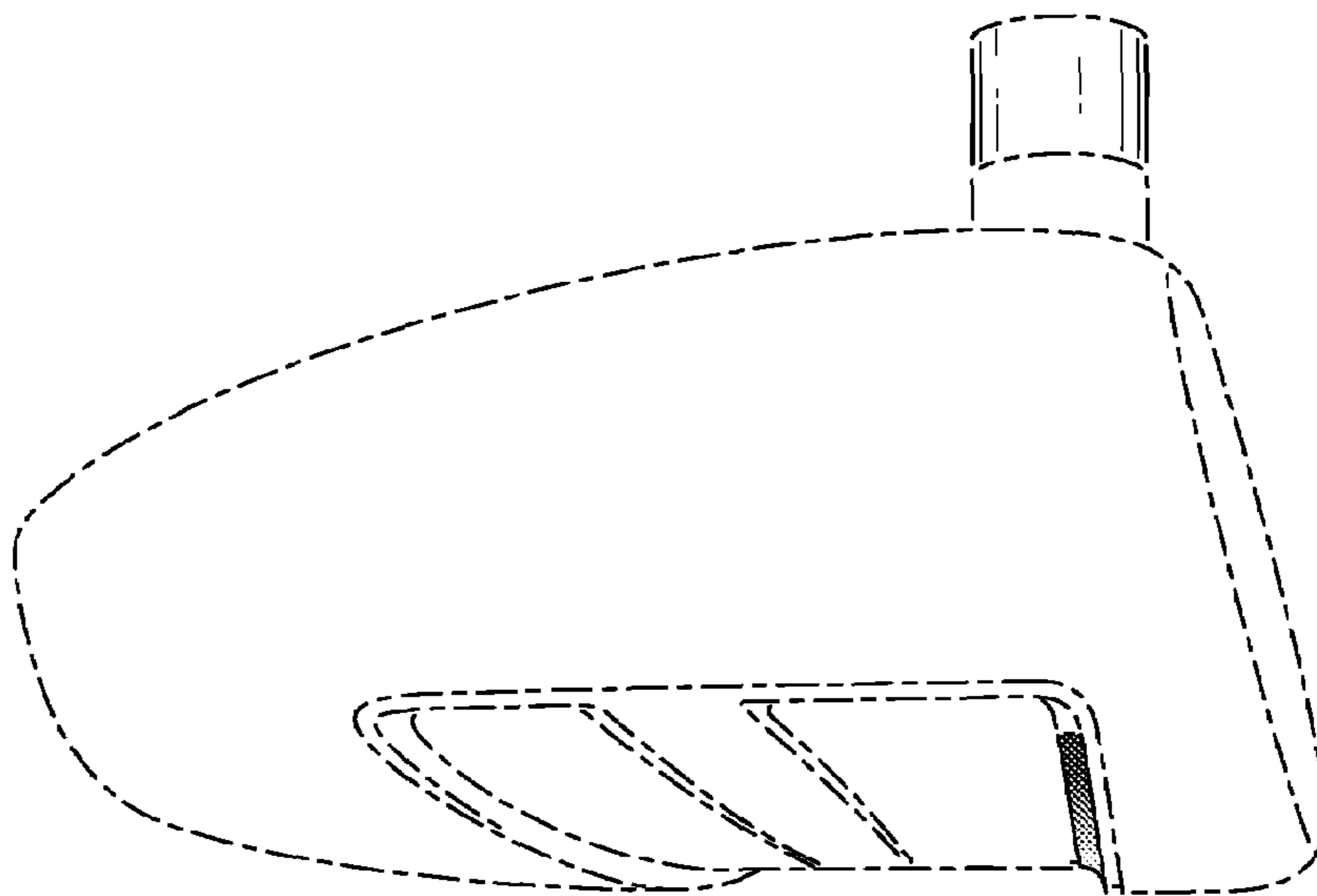


FIG. 3

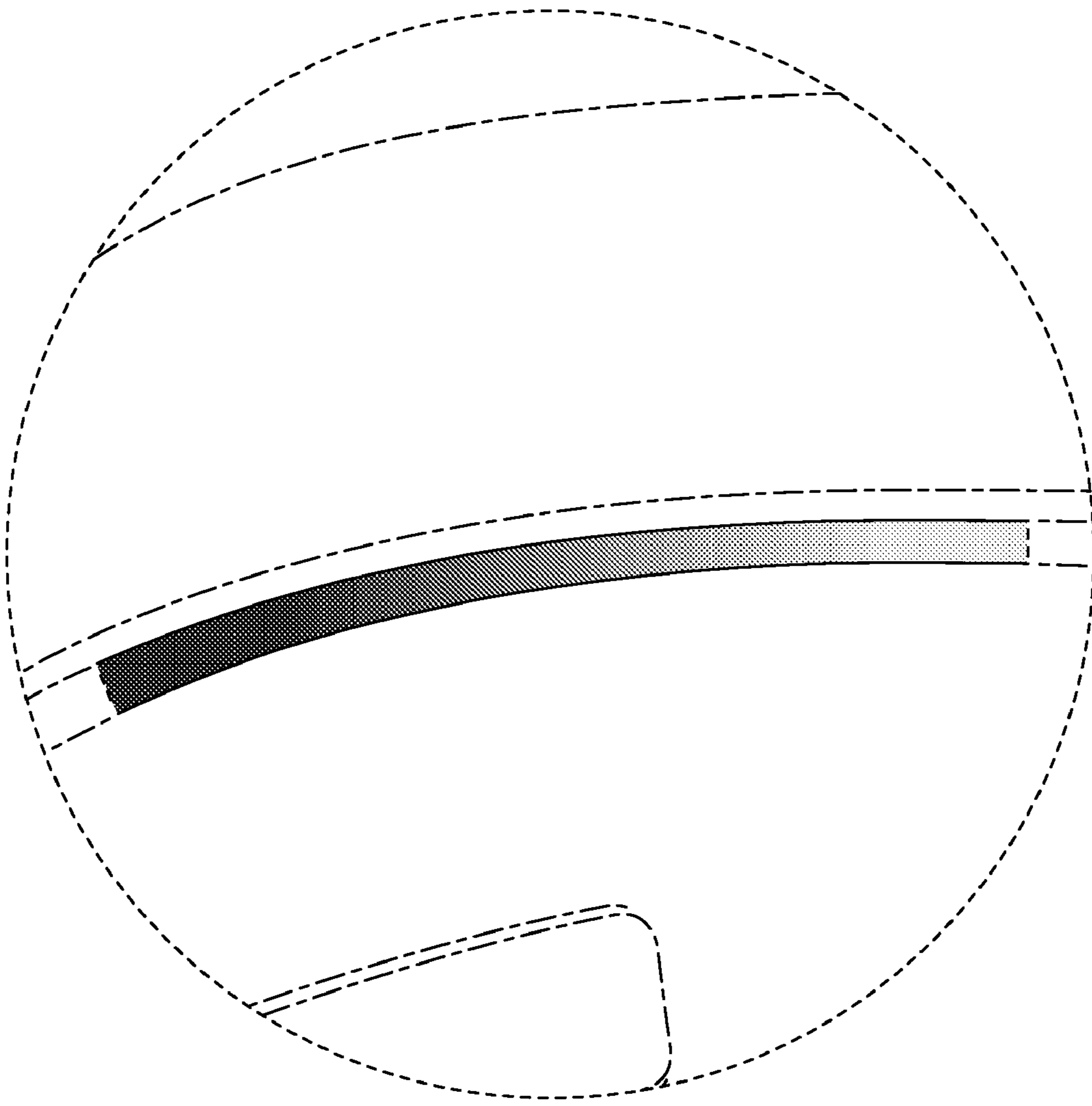


FIG. 4