



US00D612899S

(12) **United States Design Patent**
Biggs

(10) **Patent No.:** **US D612,899 S**

(45) **Date of Patent:** **** Mar. 30, 2010**

(54) **GOLF CLUB HEAD**

(76) Inventor: **Richard Wayne Biggs**, 106 Lincoln St.,
Porter, IN (US) 46304

(**) Term: **14 Years**

(21) Appl. No.: **29/283,486**

(22) Filed: **Aug. 15, 2007**

Related U.S. Application Data

(63) Continuation-in-part of application No. 29/258,840,
filed on Apr. 27, 2006, now abandoned.

(51) **LOC (9) Cl.** **21-02**

(52) **U.S. Cl.** **D21/736**

(58) **Field of Classification Search** D21/736-746;
473/324-331, 248, 251-256, 340-341
See application file for complete search history.

(56) **References Cited**

U.S. PATENT DOCUMENTS

4,519,612	A	*	5/1985	Tsao	473/248
D337,803	S	*	7/1993	Sillers	D21/741
D337,804	S	*	7/1993	Sauber	D21/743
D351,443	S	*	10/1994	Caugh et al.	D21/743
D360,670	S	*	7/1995	Nilsson	D21/741
D374,470	S	*	10/1996	Steele	D21/745
D380,514	S	*	7/1997	Markley	D21/741
D380,801	S	*	7/1997	Steele	D21/744
D444,523	S	*	7/2001	Scribner	D21/736

* cited by examiner

Primary Examiner—Mitchell I Siegel

(74) *Attorney, Agent, or Firm*—Husch Blackwell Sanders
Welsh & Katz

(57) **CLAIM**

The ornamental design for a golf club head, as shown and
described.

DESCRIPTION

FIG. 1 is a perspective view of the golf club head of the
claimed design;

FIG. 2 is a top view of the golf club head of FIG. 1 of the
claimed design;

FIG. 3 is a rear elevational view of the golf club head of FIG.
1 of the claimed design;

FIG. 4 is a right side elevational view of the golf club head of
FIG. 1 of the claimed design;

FIG. 5 is a left side elevational view of the golf club head of
FIG. 1 of the claimed design;

FIG. 6 is a bottom view of the golf club head of FIG. 1 of the
claimed design;

FIG. 7 is a front view of the golf club head of FIG. 1 of the
claimed design;

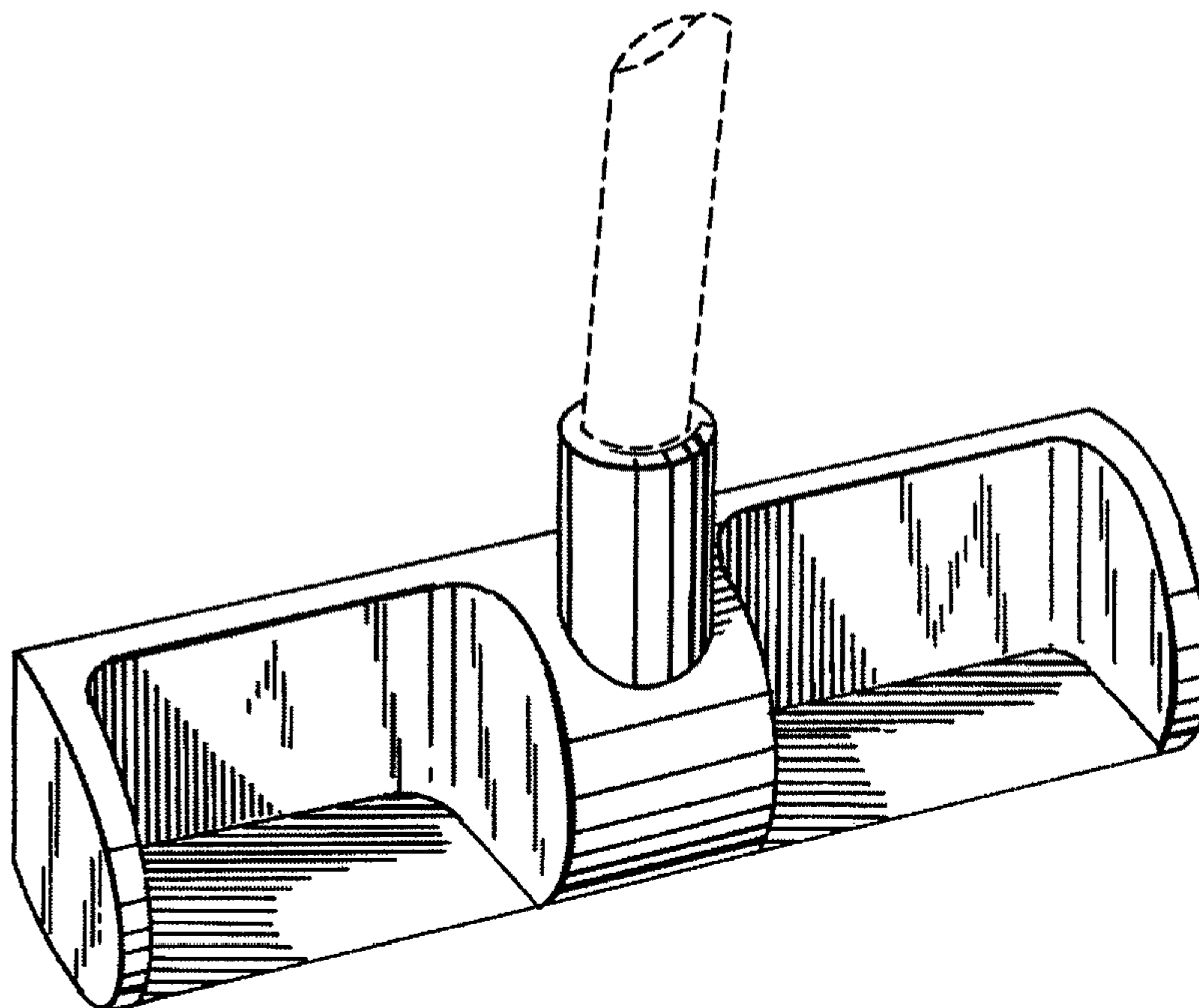
FIG. 8 is a perspective view of the golf club head according to
an alternate embodiment of the claimed design;

FIG. 9 is a rear elevational view of the golf club head of FIG.
8 of the claimed design; and,

FIG. 10 is a right side elevational view of the golf club head of
FIG. 8 of the claimed design.

The broken line showing of is included for the purpose of
illustrating and forms no part of the claimed design.

1 Claim, 3 Drawing Sheets



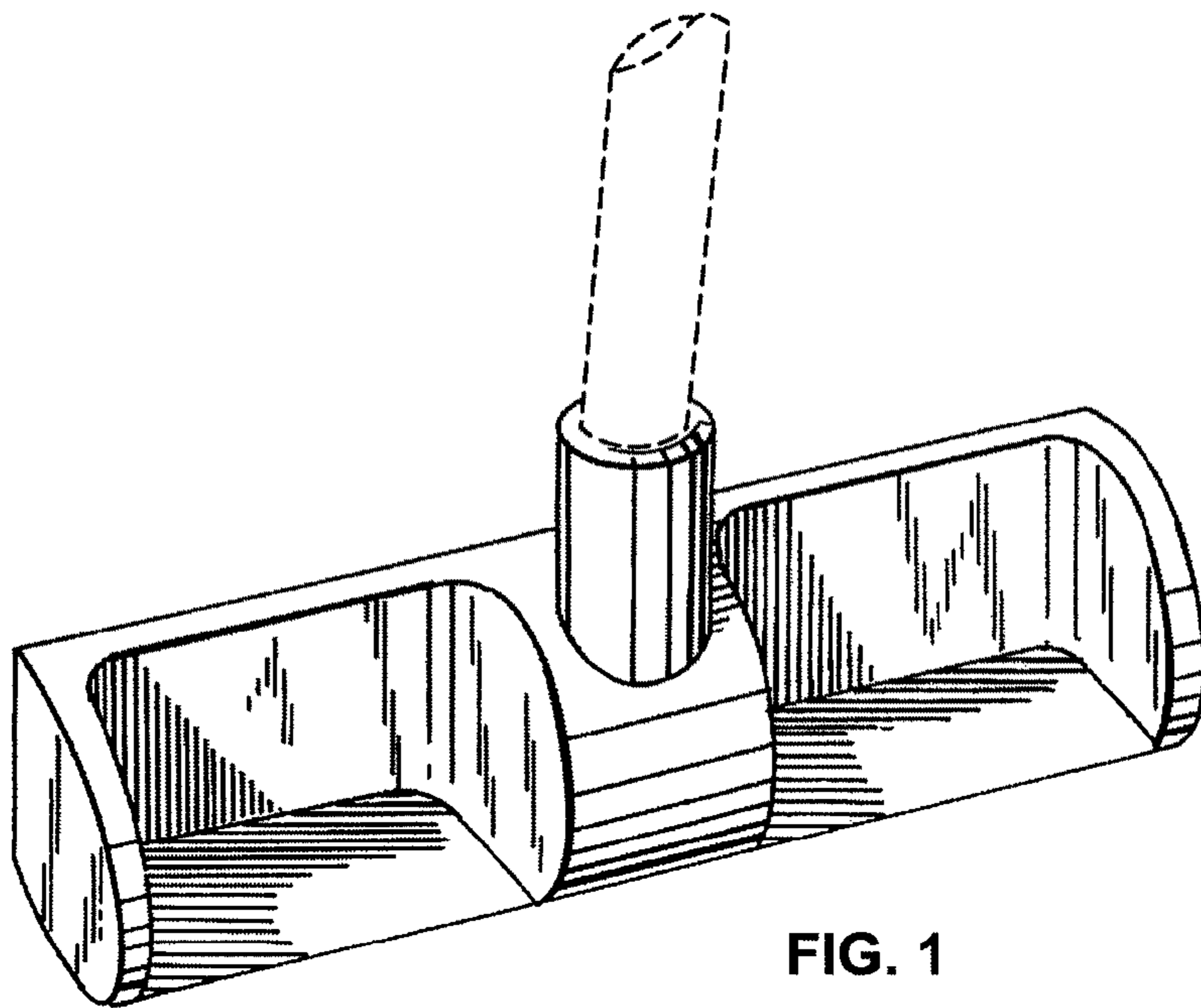


FIG. 1

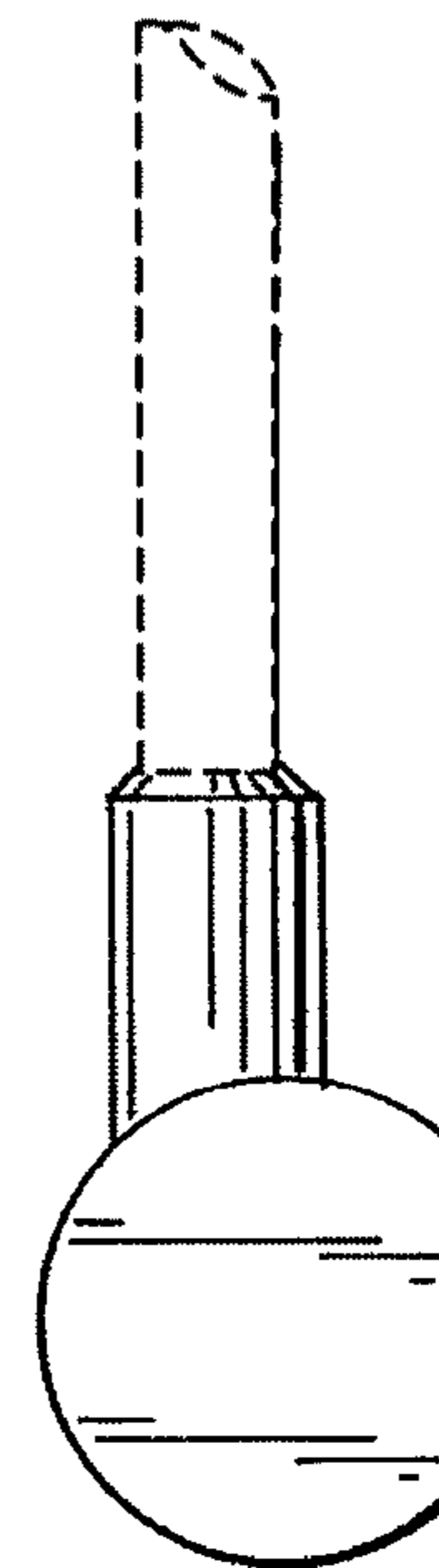


FIG. 4

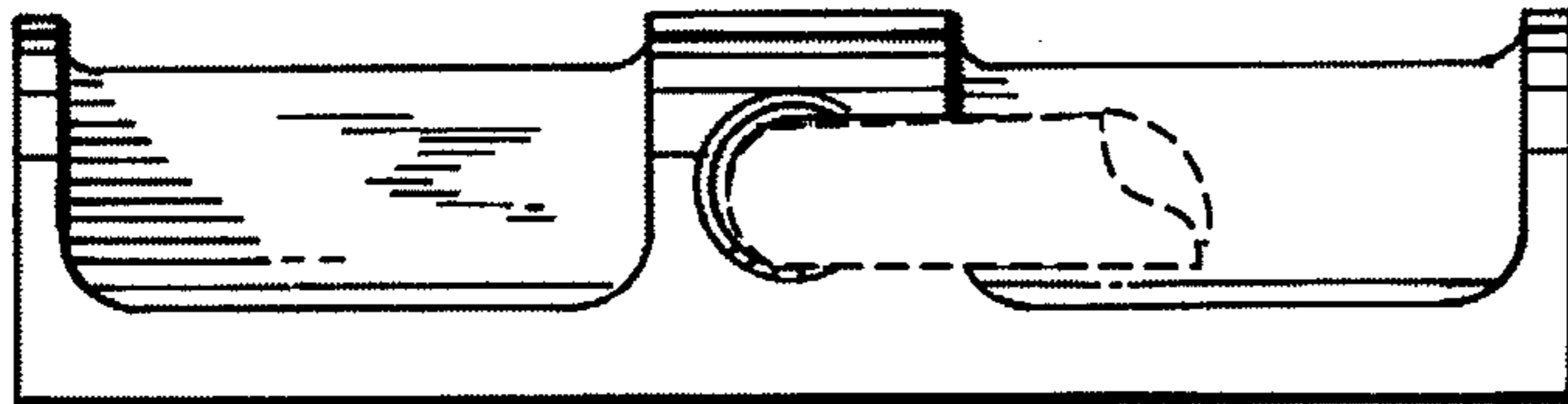


FIG. 2

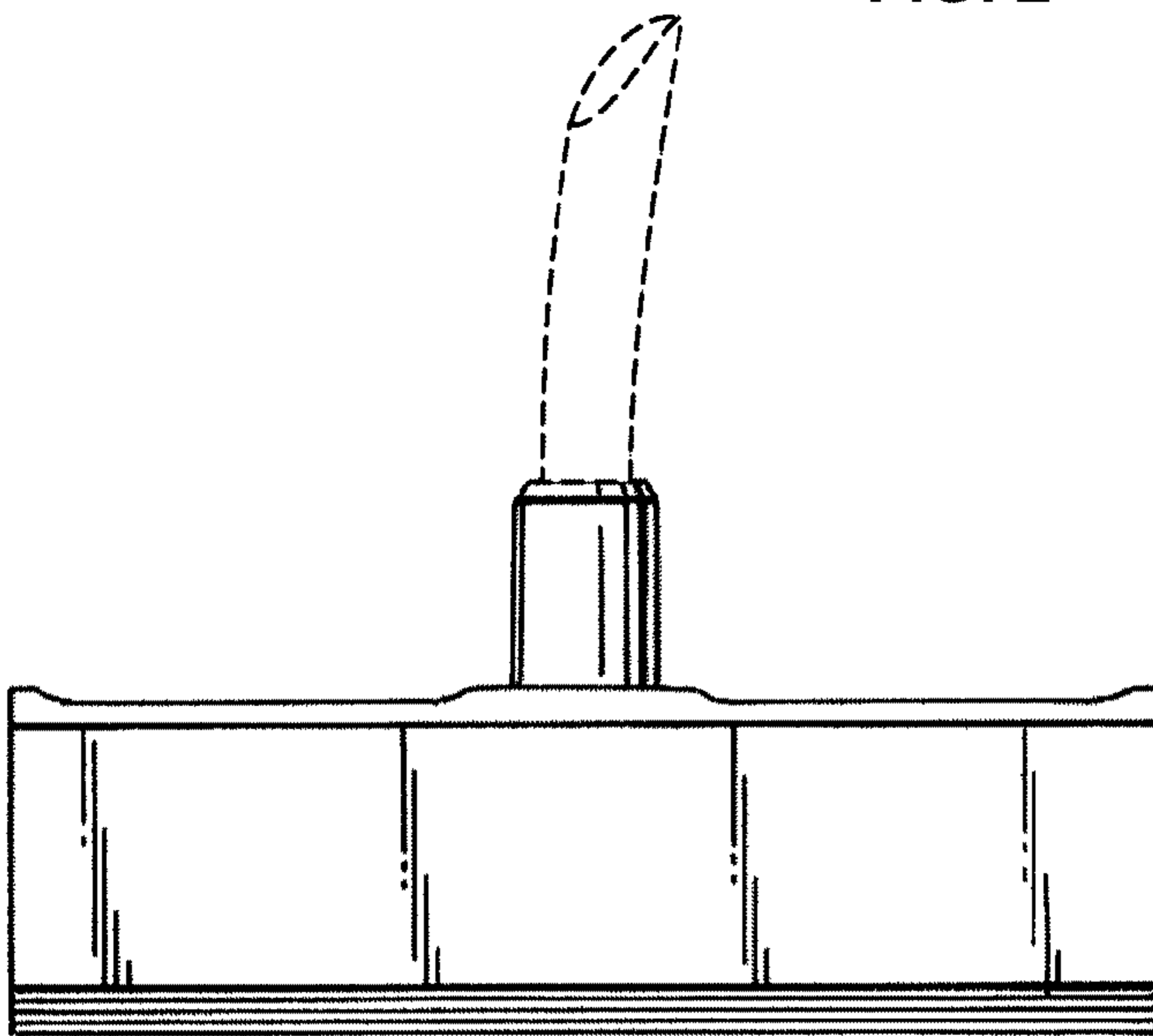


FIG. 3

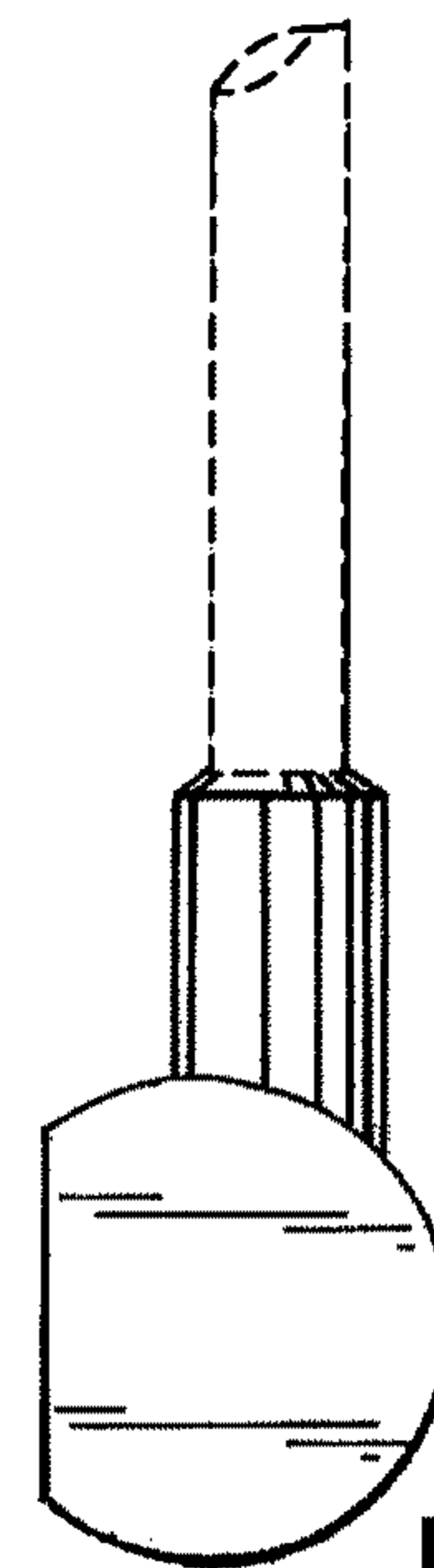


FIG. 5



FIG. 6

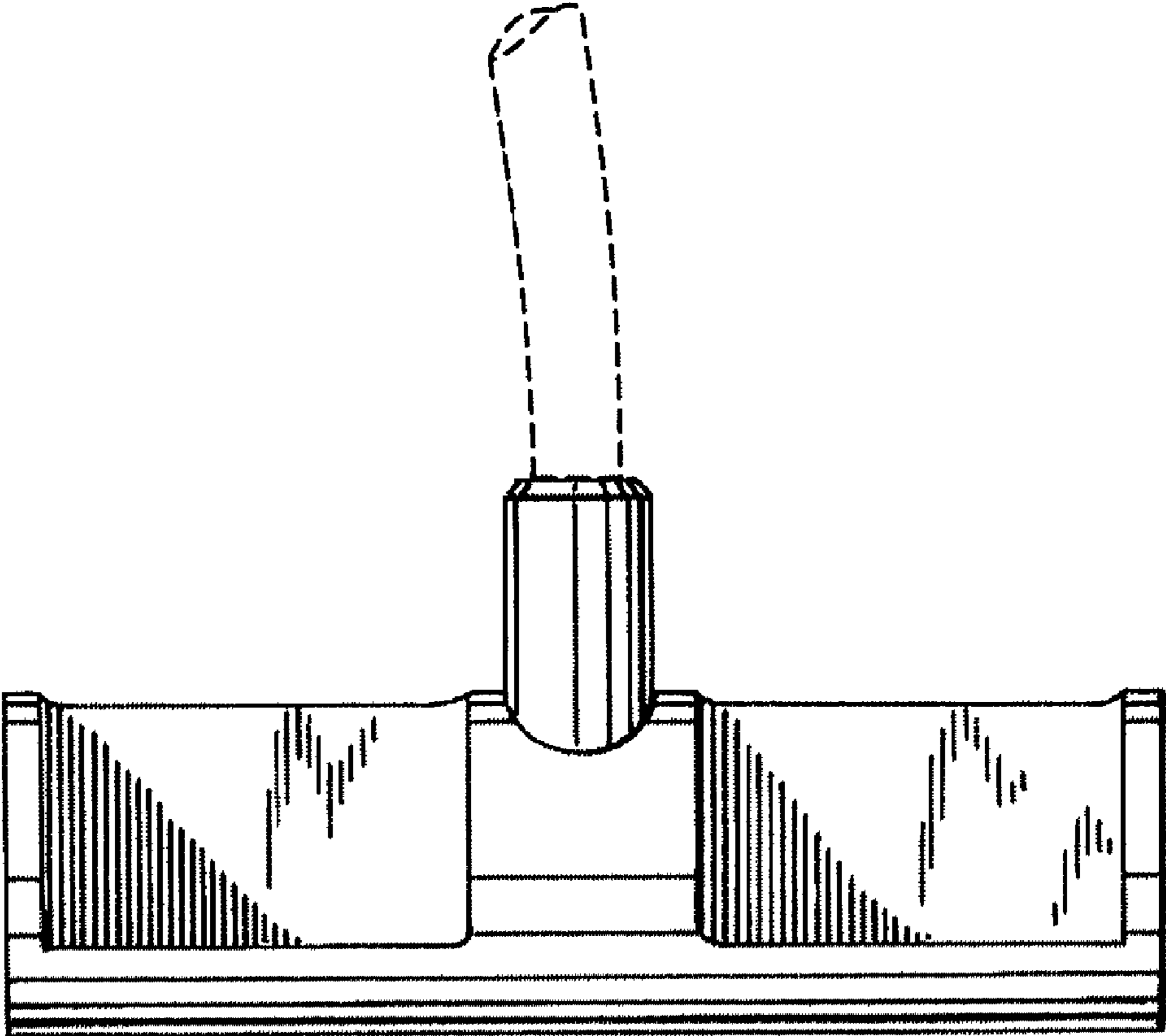


FIG. 7

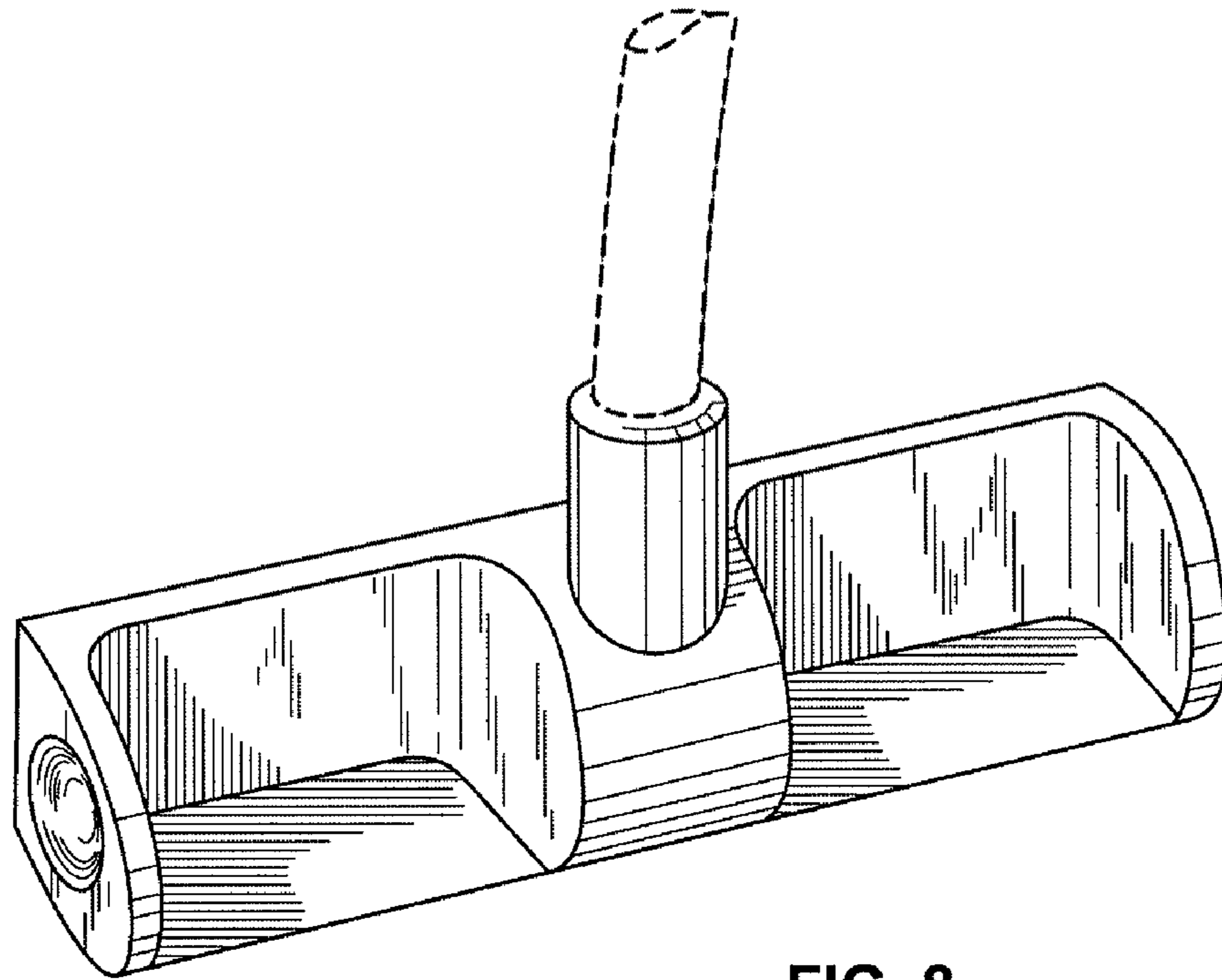


FIG. 8

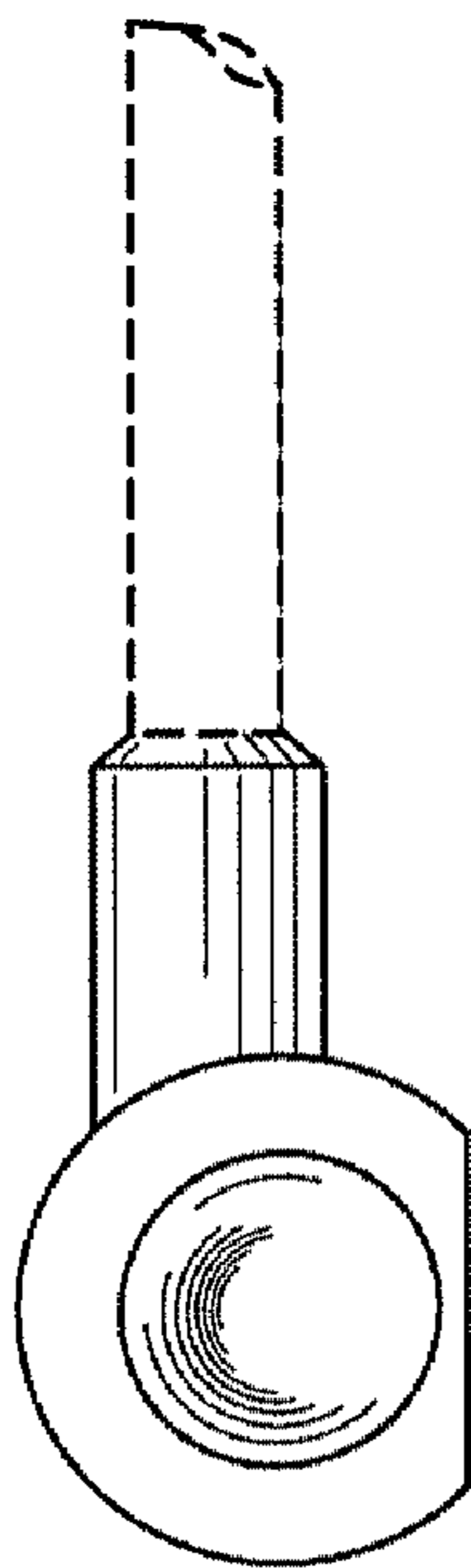


FIG. 9

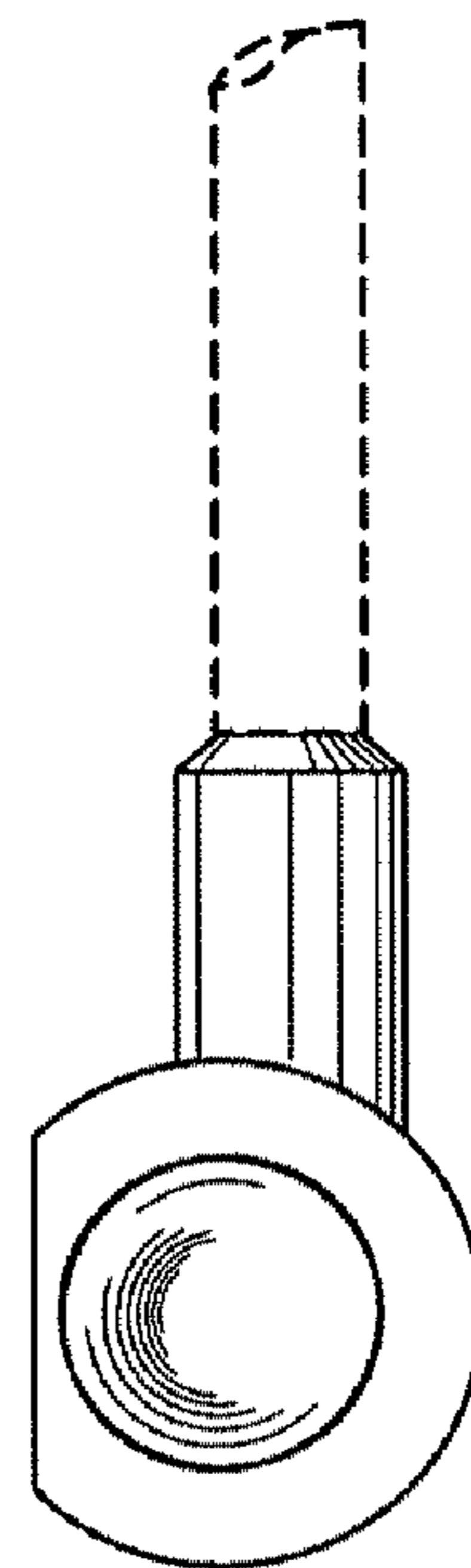


FIG. 10