



US00D612898S

(12) **United States Design Patent**  
**Hsiung**

(10) **Patent No.:** **US D612,898 S**  
(45) **Date of Patent:** **\*\* Mar. 30, 2010**

(54) **CASING FOR A STEPPER**

(76) Inventor: **Bob Hsiung**, 3F-2, No. 6, Lane 35, San Min Rd., Taipei City (TW)

(\*\*) Term: **14 Years**

(21) Appl. No.: **29/333,879**

(22) Filed: **Mar. 17, 2009**

(30) **Foreign Application Priority Data**

Sep. 23, 2008 (TW) ..... 97305423

(51) **LOC (9) Cl.** ..... **21-02**

(52) **U.S. Cl.** ..... **D21/694; D21/670**

(58) **Field of Classification Search** ..... D21/687,  
D21/686, 662, 694, 692, 797, 689, 698, 788;  
482/124, 125, 129, 142, 137, 96; 248/121,  
248/125.1; 297/461

See application file for complete search history.

(56) **References Cited**

**U.S. PATENT DOCUMENTS**

D388,847 S *	1/1998	Whan-Tong et al.	.....	D21/670
D408,477 S *	4/1999	Arnold et al.	.....	D21/668
D429,781 S *	8/2000	Arnold et al.	.....	D21/668
D438,581 S *	3/2001	Shaw	.....	D21/697
D438,919 S *	3/2001	Shaw	.....	D21/697
D449,356 S *	10/2001	Arnold et al.	.....	D21/668
D464,096 S *	10/2002	Lee	.....	D21/694
D464,688 S *	10/2002	May et al.	.....	D21/668
D530,758 S *	10/2006	Kim	.....	D21/668
D558,841 S *	1/2008	Clawson et al.	.....	D21/668
D590,033 S *	4/2009	Wang et al.	.....	D21/694

D600,293 S \* 9/2009 Horita ..... D21/694  
2009/0264801 A1\* 10/2009 Van der Meer ..... 601/70

\* cited by examiner

*Primary Examiner*—Robert M Spear  
*Assistant Examiner*—Cynthia Underwood  
(74) *Attorney, Agent, or Firm*—Leong C. Lei

(57) **CLAIM**

The ornamental design for a casing for a stepper, as shown and described.

**DESCRIPTION**

FIG. 1 is a perspective view of a casing for a stepper showing my new design;

FIG. 2 is a front elevational view thereof;

FIG. 3 is a rear elevational view thereof;

FIG. 4 is a left side perspective view thereof;

FIG. 5 is a right side perspective view thereof;

FIG. 6 is a top plan view thereof;

FIG. 7 is a bottom plan view thereof;

FIG. 8 is a sectional view thereof, taken along line A—A of FIG. 6;

FIG. 9 is a sectional view thereof, taken along line B—B of FIG. 6;

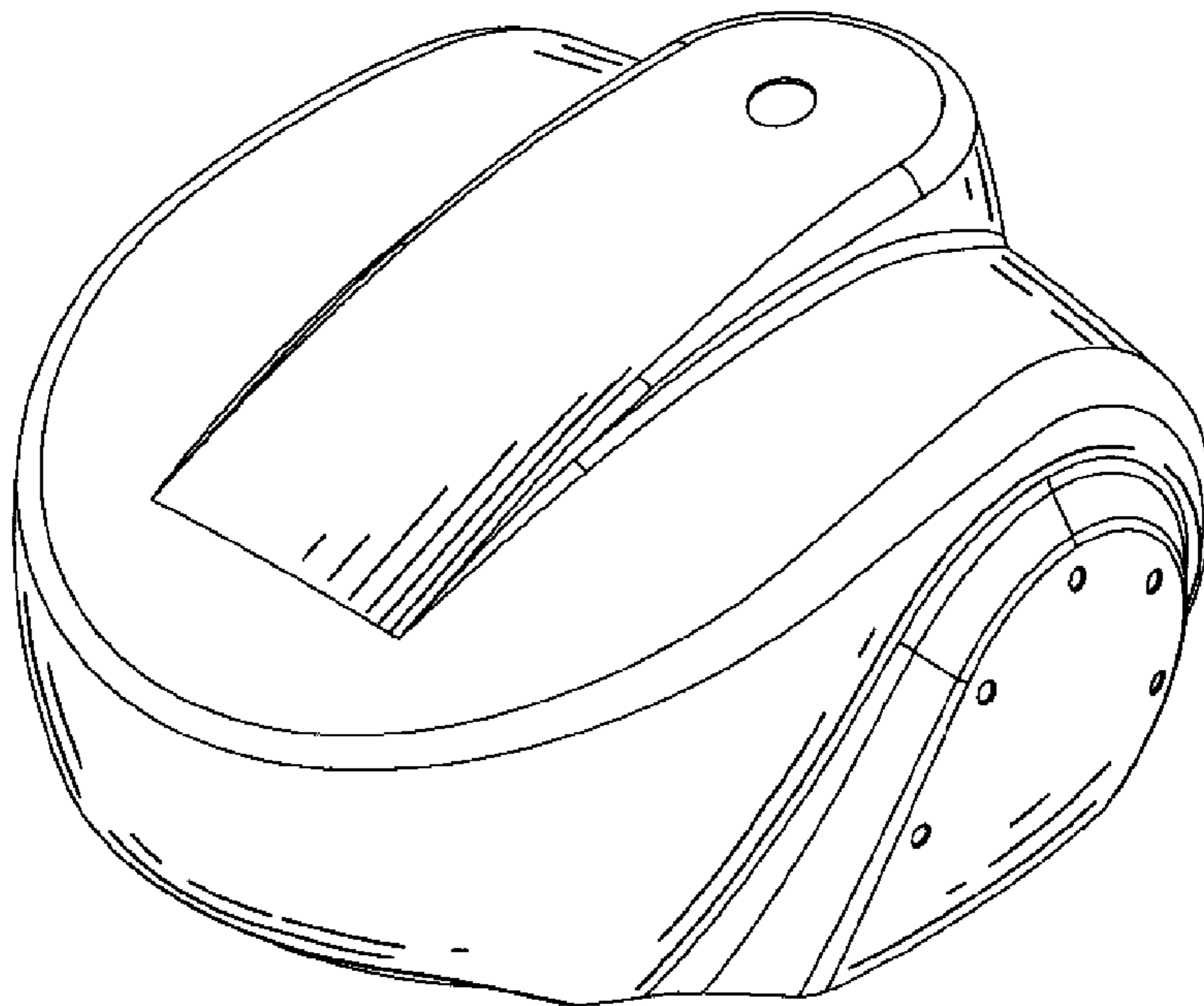
FIG. 10 is a right side perspective view thereof;

FIG. 11 is a back perspective view thereof; and,

FIG. 12 is another perspective view thereof, with the slide stepper engaged.

The dotted line showing of the stepper is for illustrative purposes only and forms no part of the claimed design.

**1 Claim, 7 Drawing Sheets**



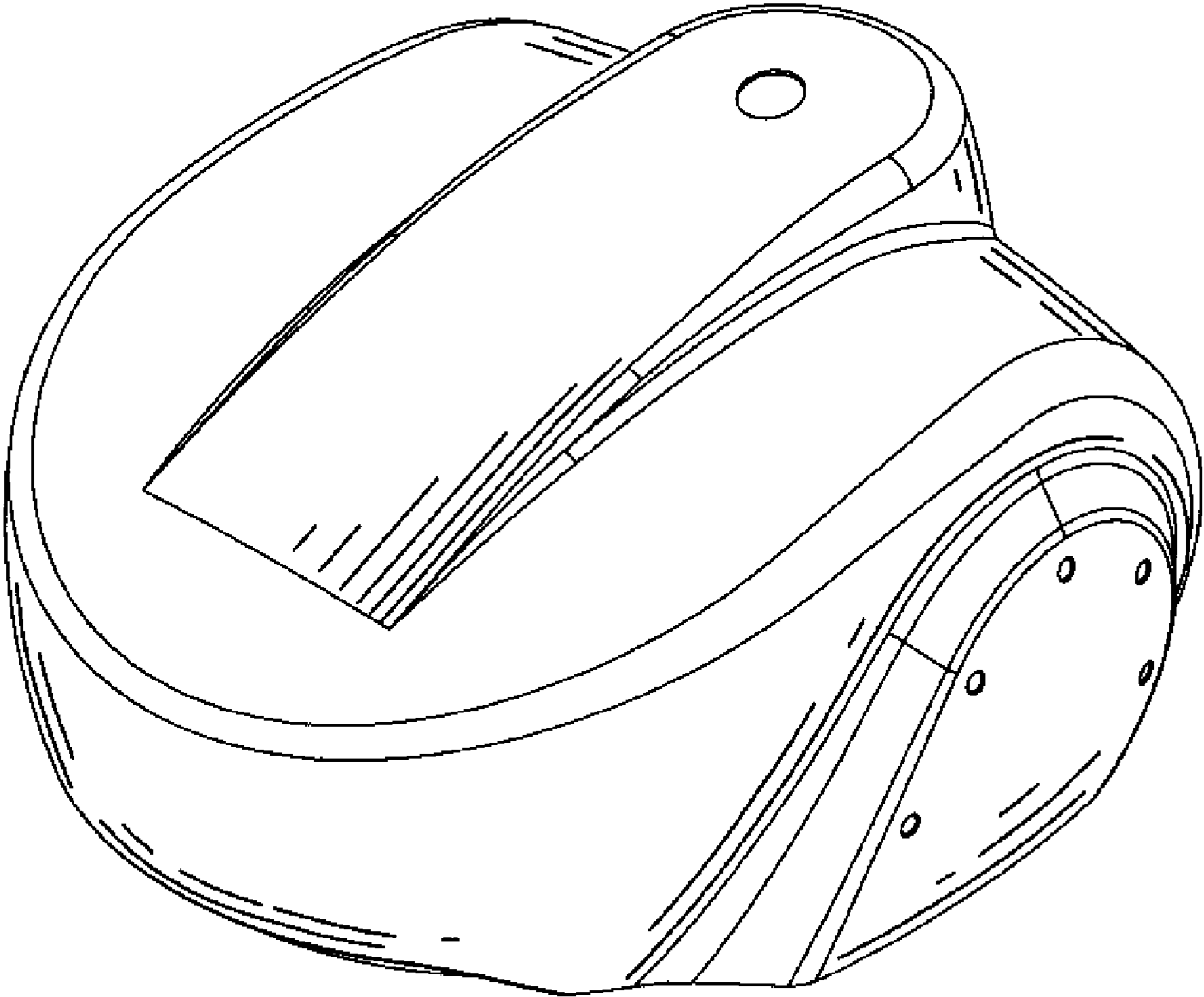


FIG. 1

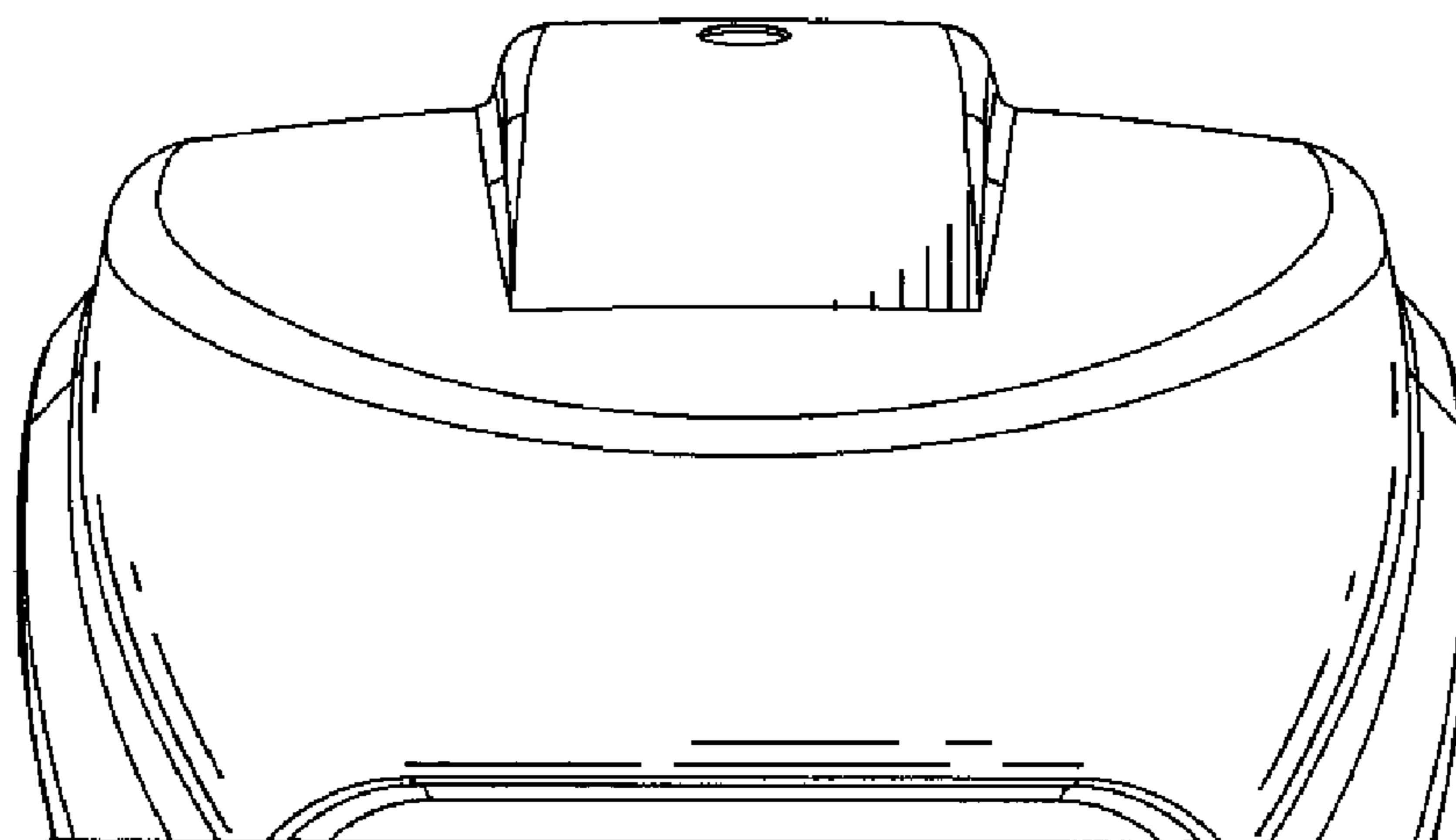


FIG. 2

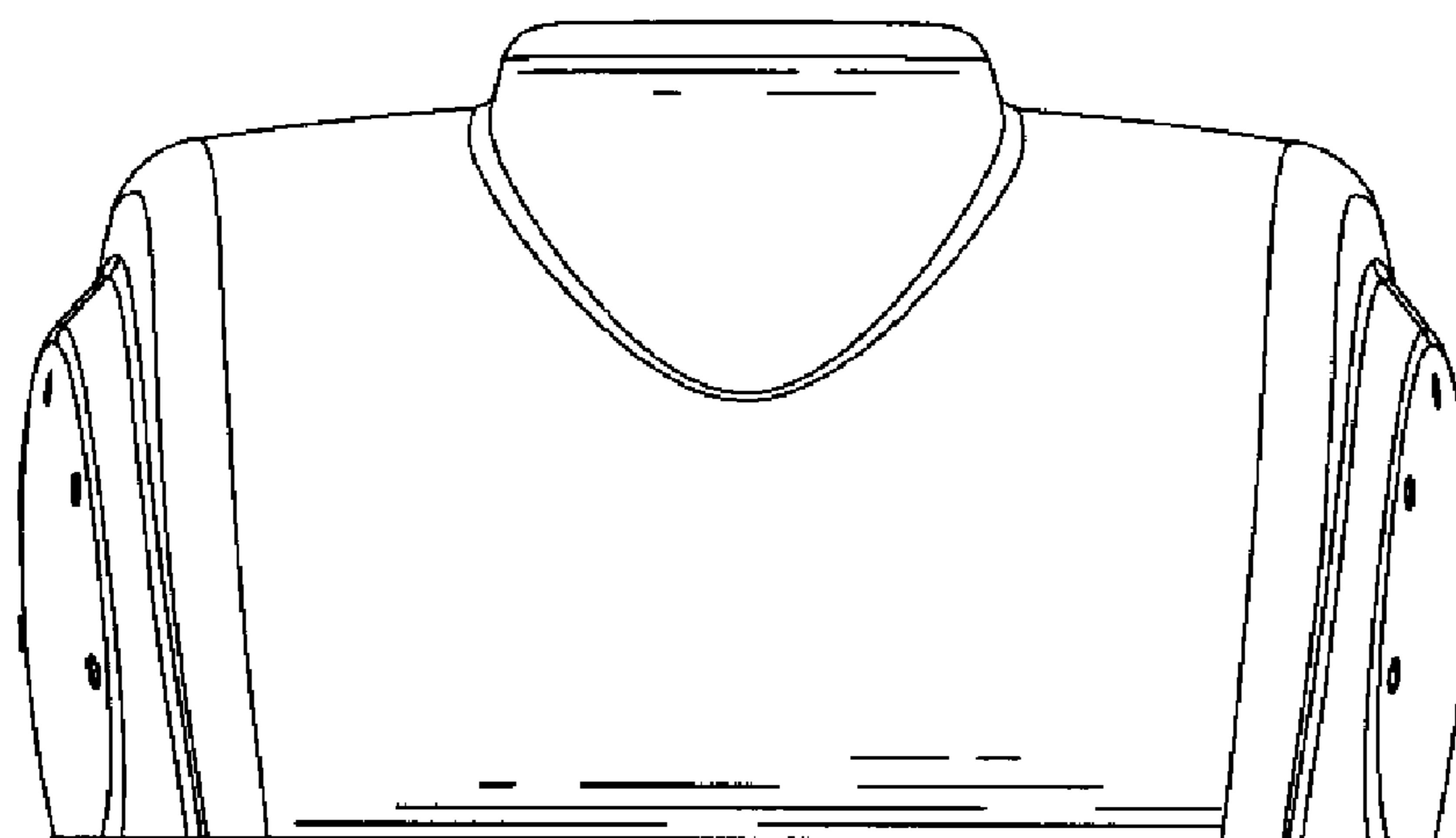


FIG. 3

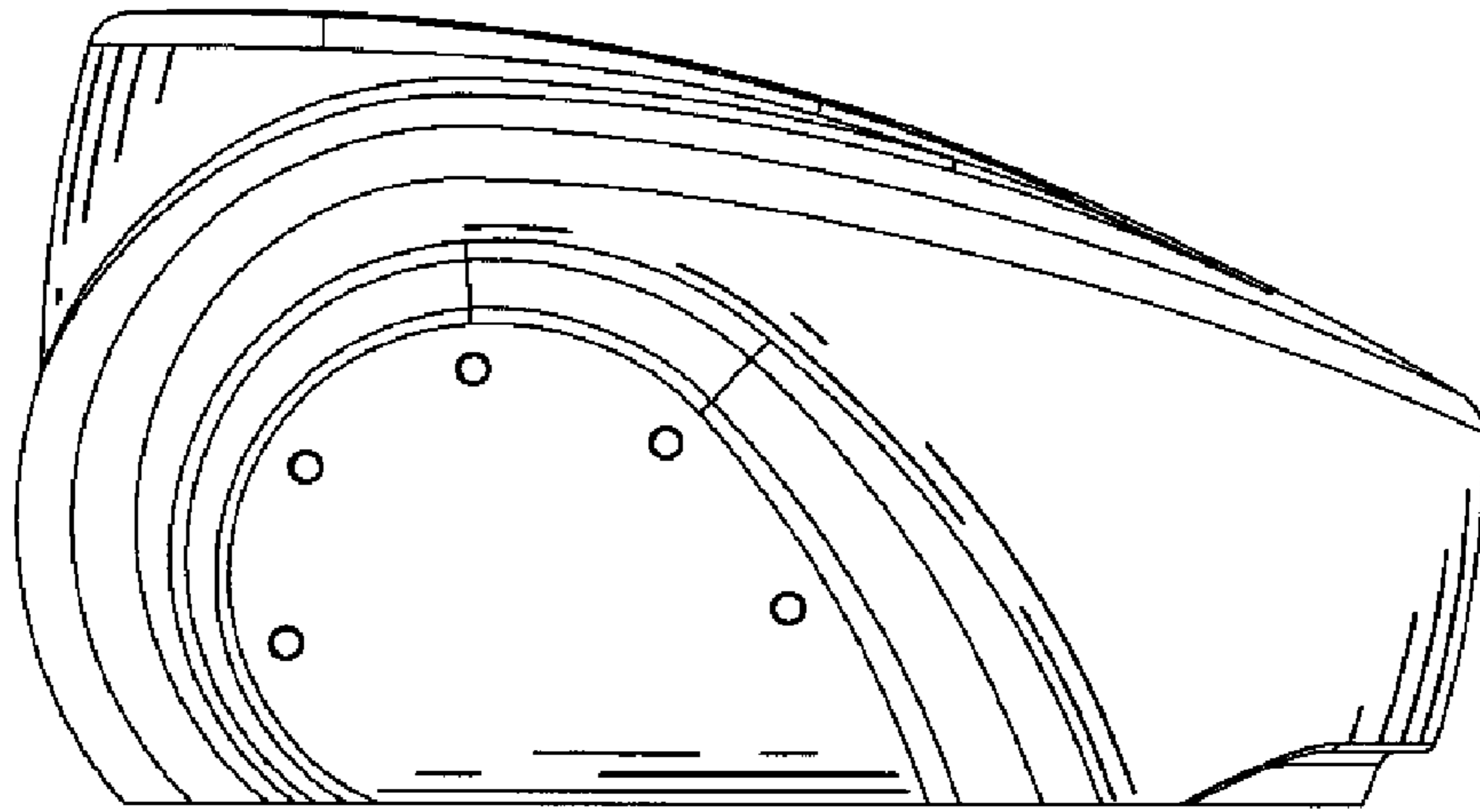


FIG. 4

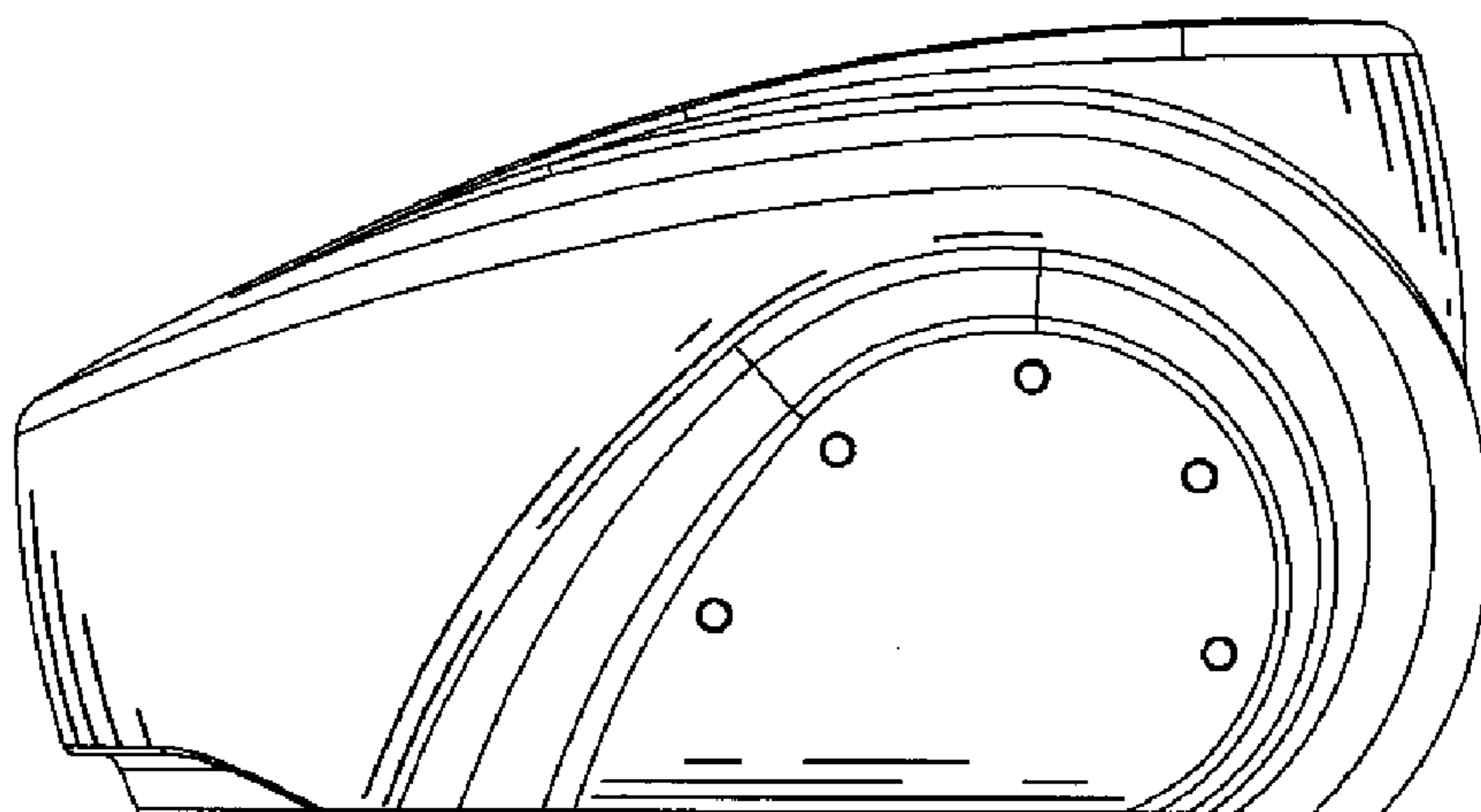


FIG. 5

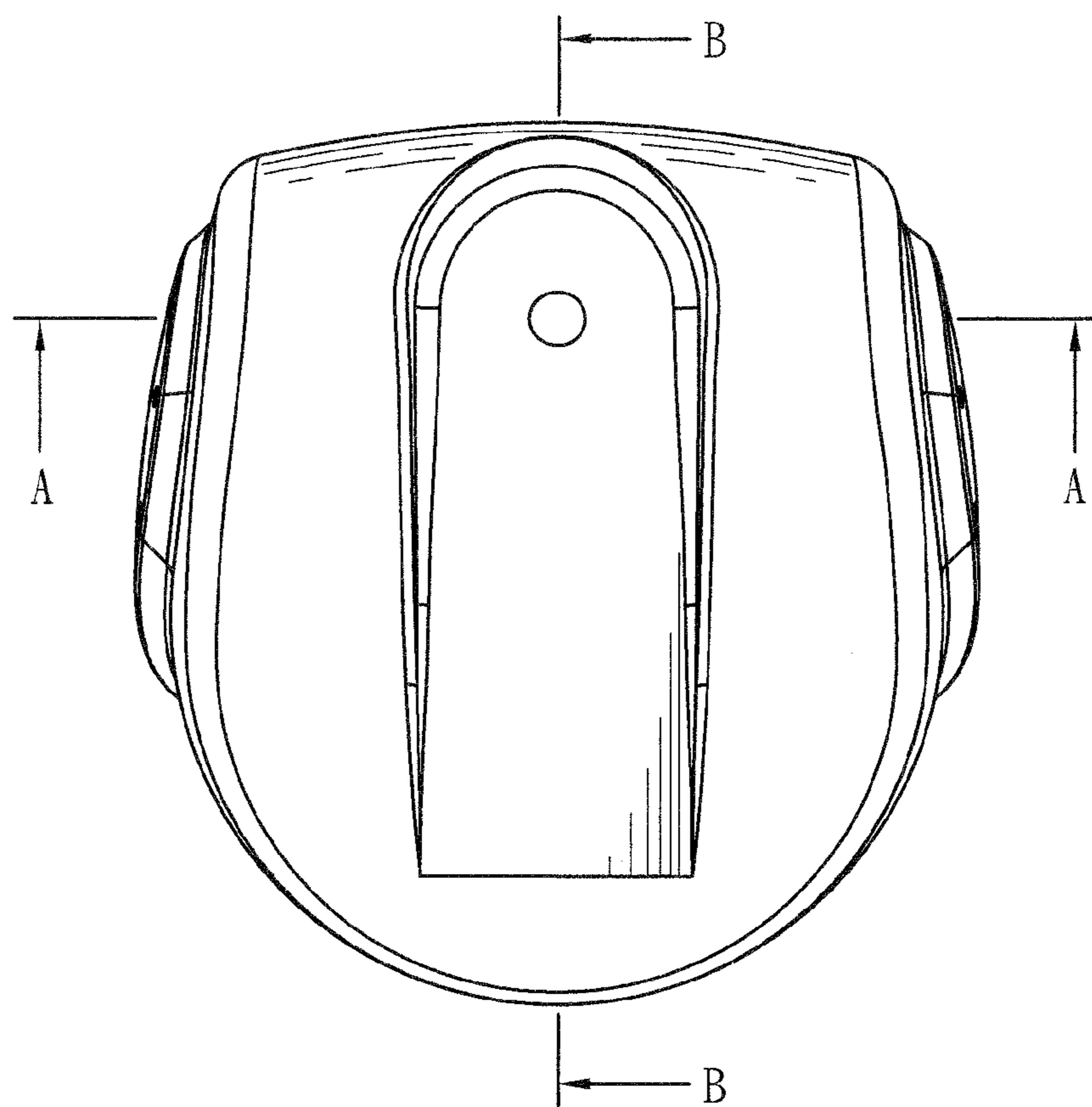


FIG. 6

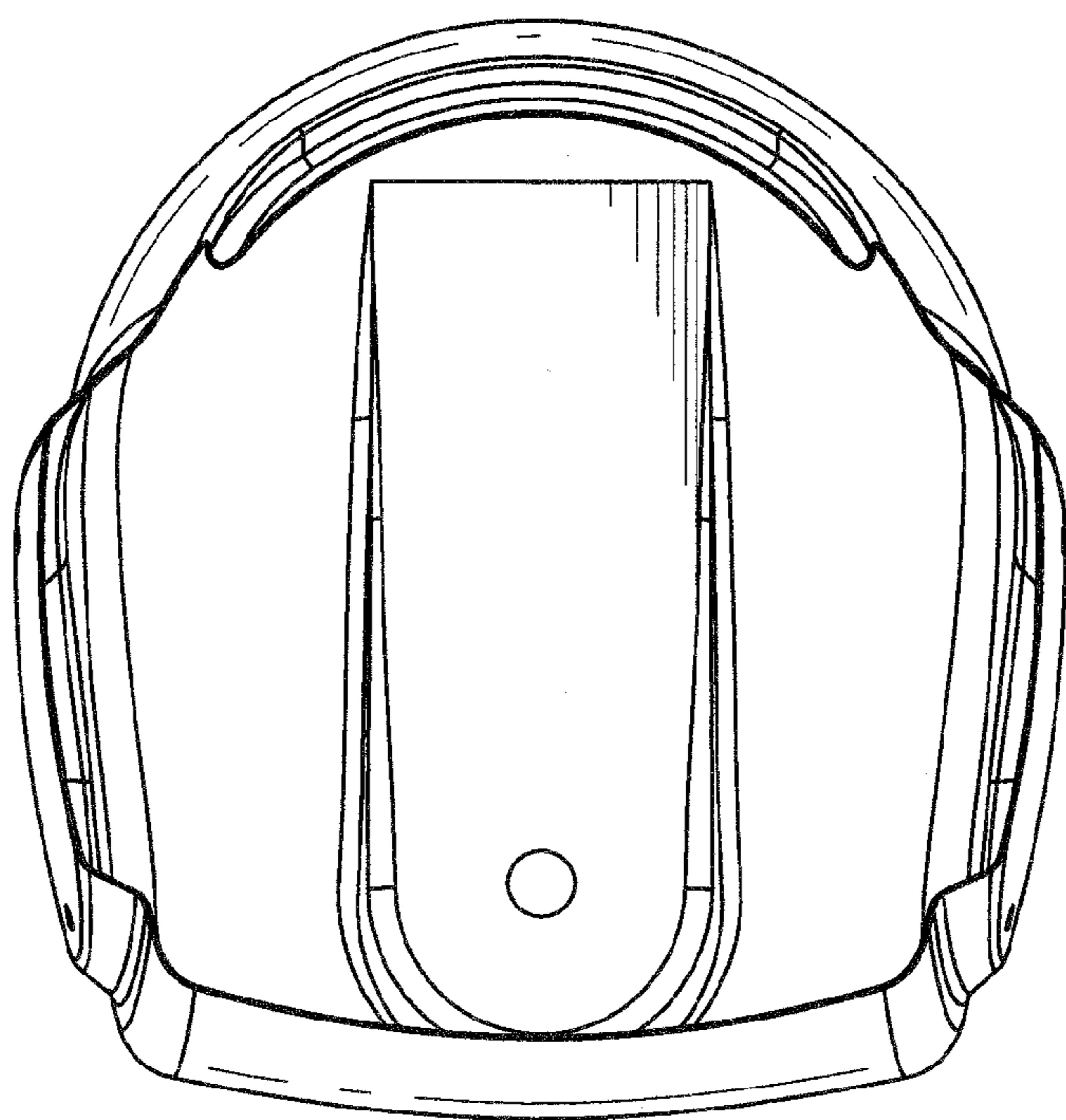
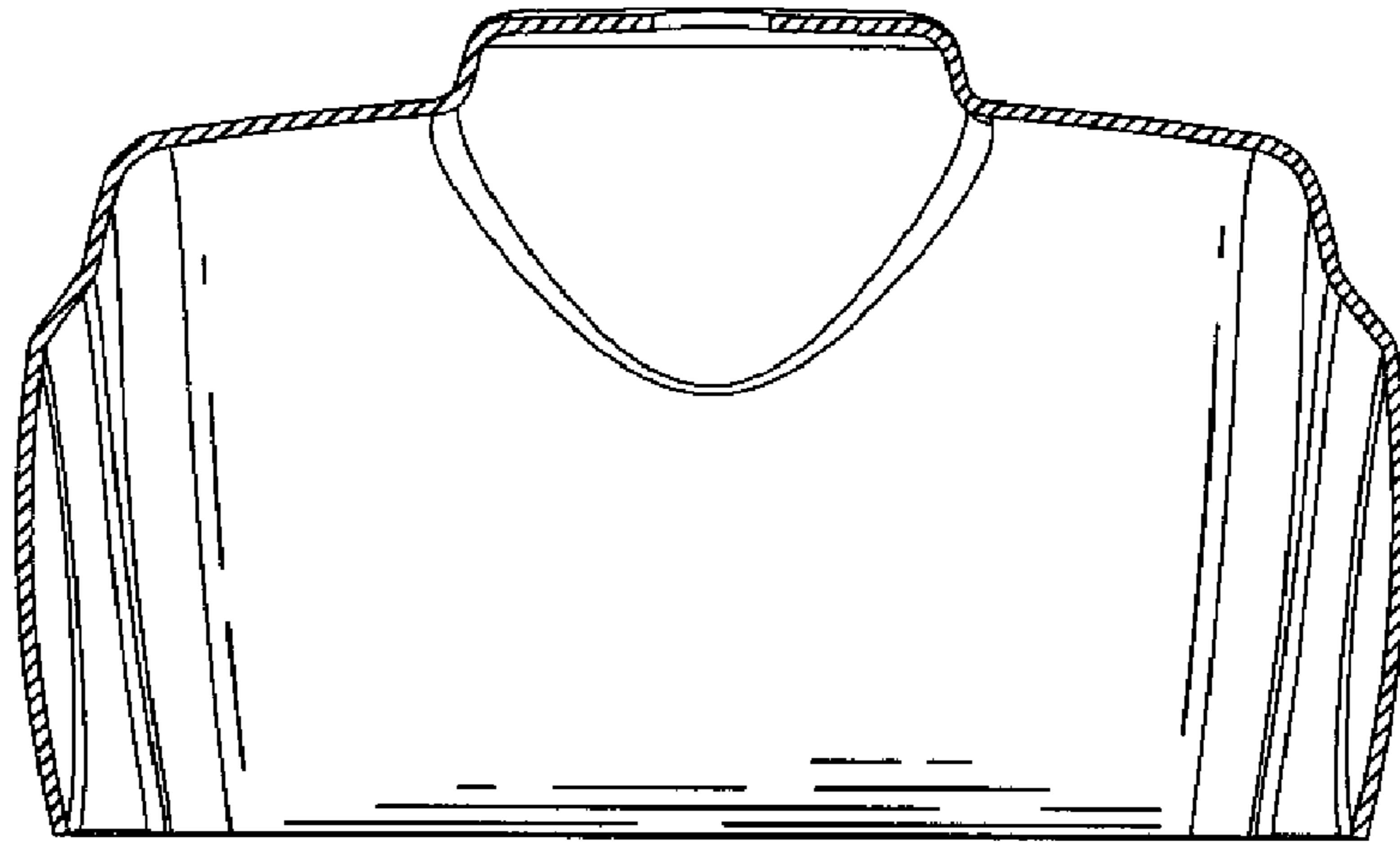
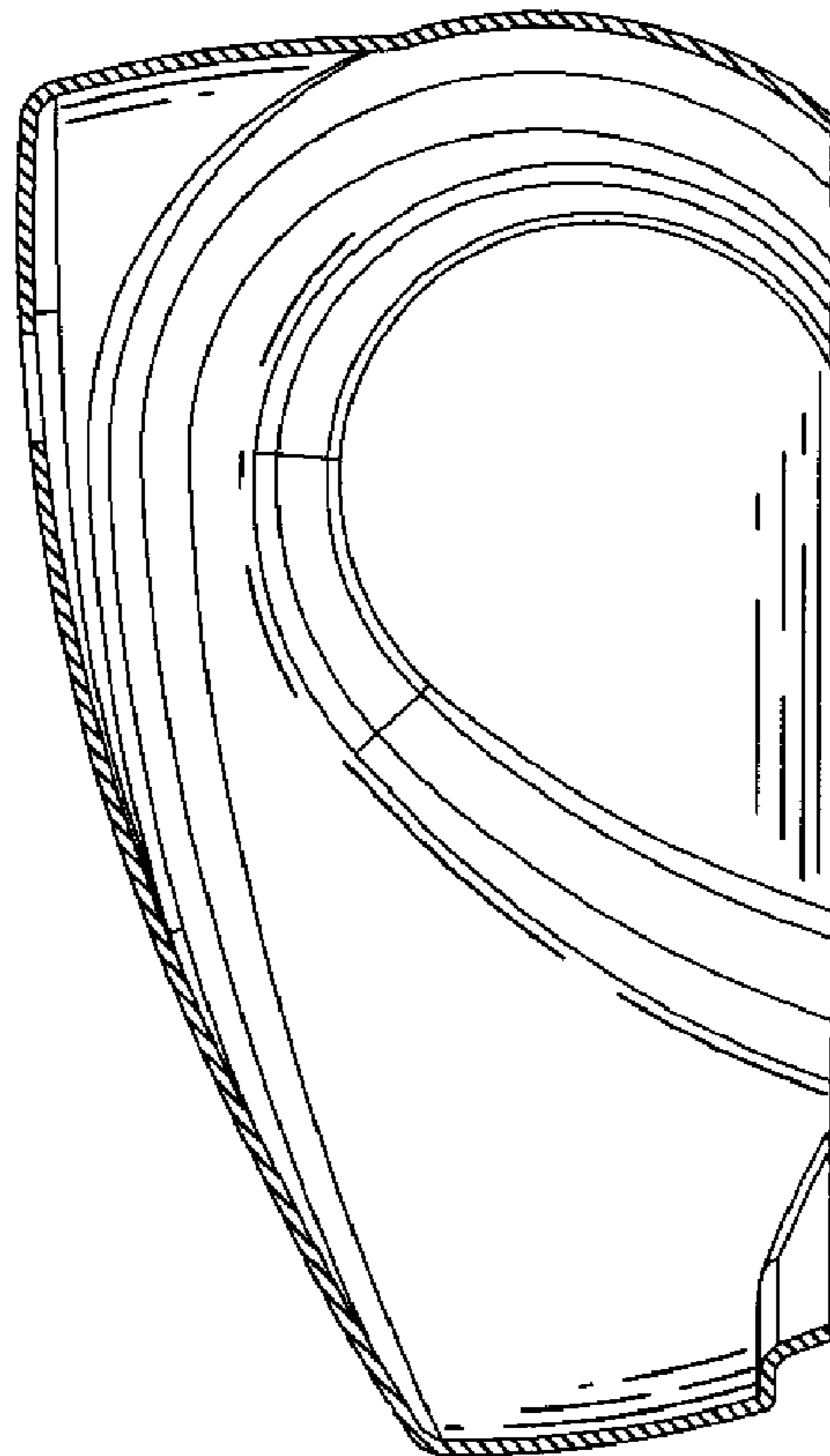


FIG. 7



A-A  
FIG. 8



B-B  
FIG. 9

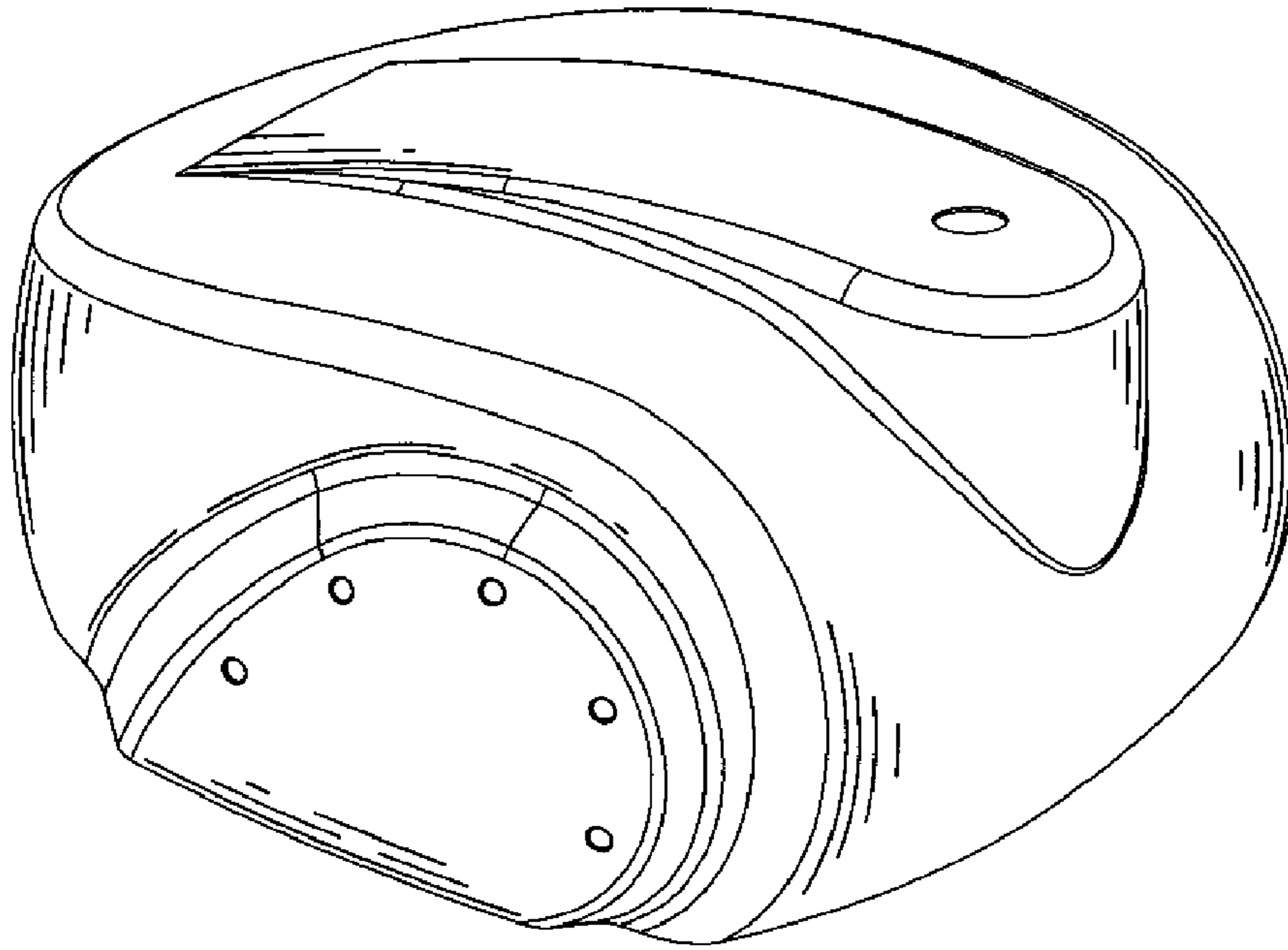


FIG. 10

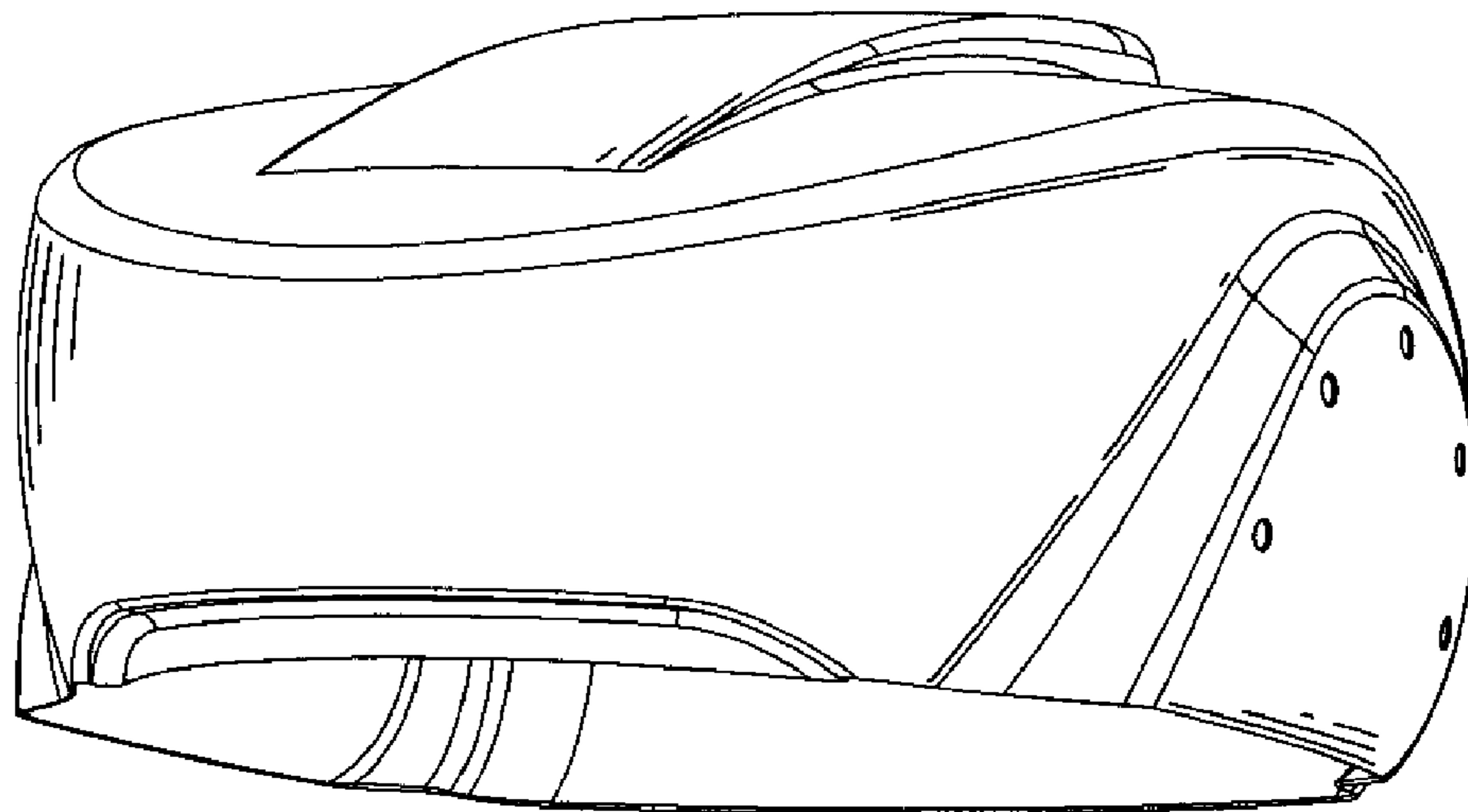


FIG. 11

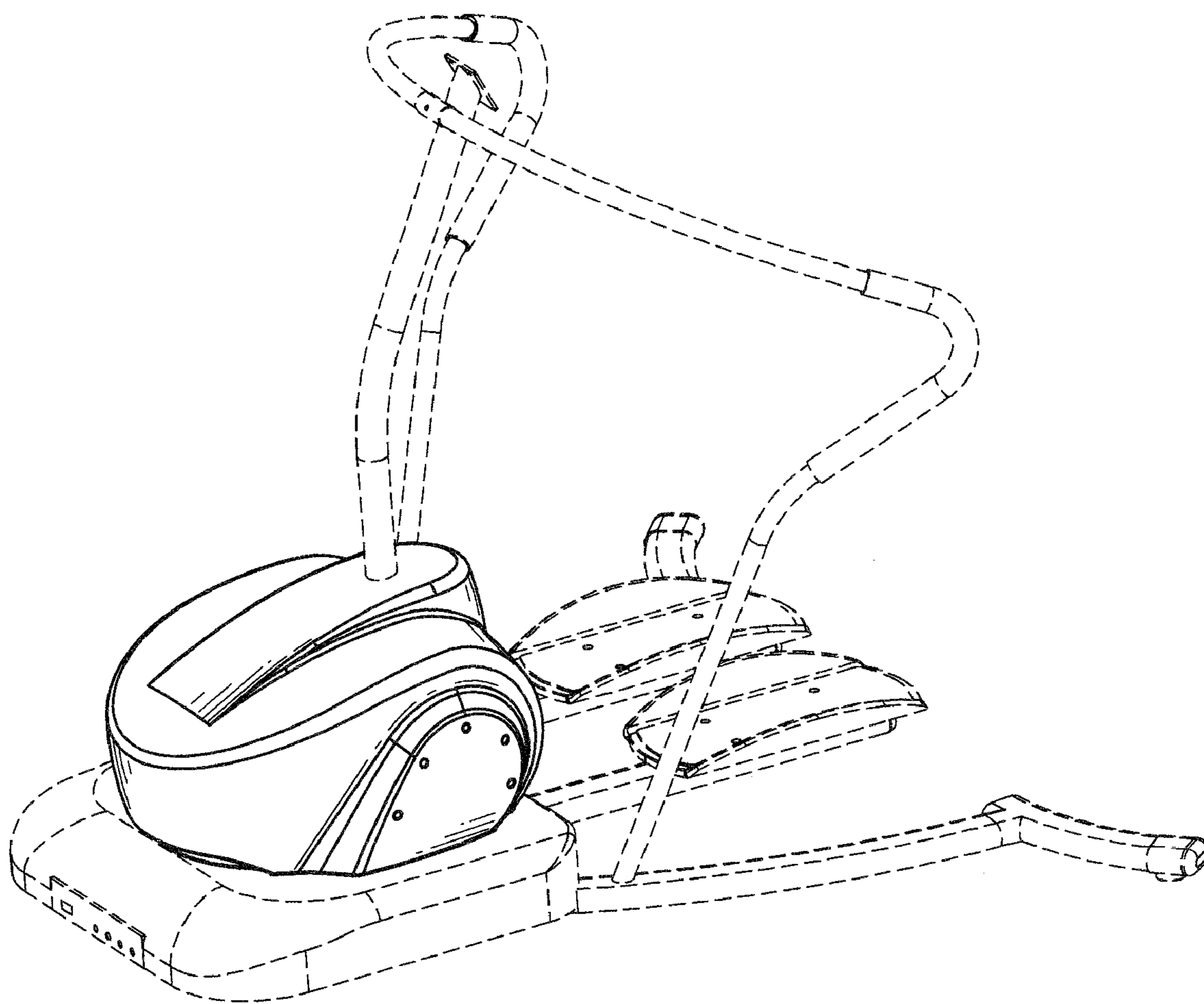


FIG. 12