



US00D612897S

(12) **United States Design Patent**
Lamont

(10) **Patent No.:** **US D612,897 S**
(45) **Date of Patent:** **** Mar. 30, 2010**

- (54) **ANTI-FATIGUE PLATFORM**
- (75) Inventor: **Gordon Lamont**, Lloydminster (CA)
- (73) Assignee: **Deltabalance Inc.**, Alberta (CA)
- (**) Term: **14 Years**
- (21) Appl. No.: **29/332,343**
- (22) Filed: **Feb. 13, 2009**
- (51) **LOC (9) Cl.** **21-02**
- (52) **U.S. Cl.** **D21/686**
- (58) **Field of Classification Search** D21/687,
D21/686, 662, 694, 692, 797, 689, 698, 788;
482/124, 125, 129, 142, 137, 96; 248/121,
248/125.1; 297/461
See application file for complete search history.

- 6,708,361 B1 * 3/2004 Emerson, Jr. 14/69.5
- 6,719,248 B2 4/2004 Lamont
- D491,239 S 6/2004 Lamont
- D507,608 S * 7/2005 Chen D21/662
- D545,322 S * 6/2007 Hoshiya et al. D14/462

FOREIGN PATENT DOCUMENTS

- CA 94745 2/2002
- CA 100396 6/2004

* cited by examiner

Primary Examiner—Robert M Spear
Assistant Examiner—Cynthia Underwood
(74) *Attorney, Agent, or Firm*—Davis & Bujold, P.L.L.C.

(57) **CLAIM**

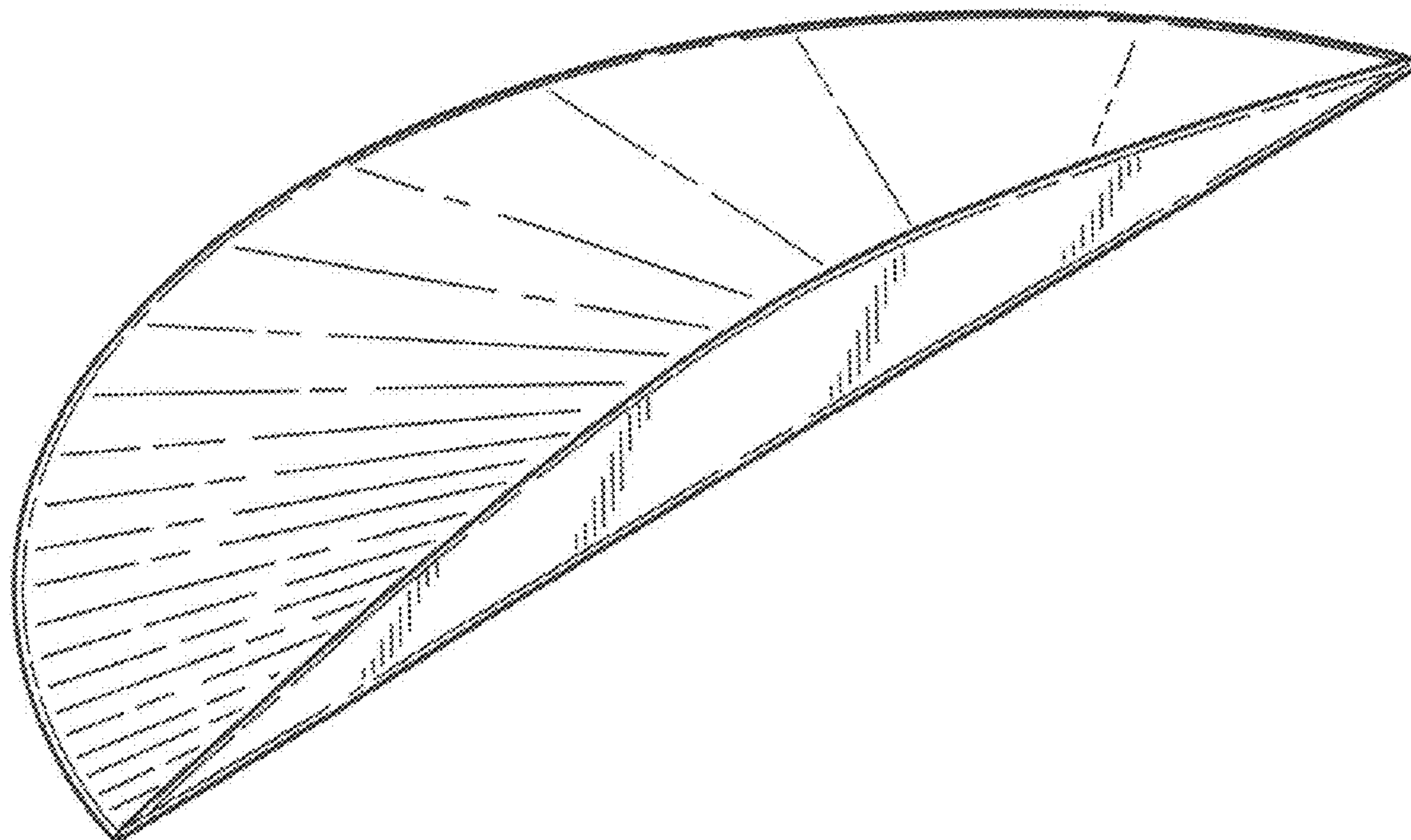
I claim the ornamental design for an anti-fatigue platform, as shown and described.

DESCRIPTION

FIG. 1 is a top plan view of an anti-fatigue platform, the broken lines representing a second, unclaimed platform;
FIG. 2 is a front view thereof;
FIG. 3 is a rear view thereof;
FIG. 4 is a right side view thereof; and,
FIG. 5 is a top, rear perspective view thereof.

1 Claim, 2 Drawing Sheets

- (56) **References Cited**
- U.S. PATENT DOCUMENTS
- 4,952,894 A * 8/1990 Connerney et al. 333/113
- 5,044,384 A * 9/1991 Hokama et al. 132/200
- D364,202 S * 11/1995 Benson D21/686
- 6,002,194 A * 12/1999 Asao 310/263
- D468,419 S * 1/2003 Vesterlund D24/106
- D469,831 S * 2/2003 Tuccillo D21/689
- D482,558 S * 11/2003 Kancilja et al. D6/601
- D483,084 S * 12/2003 Gvoich D21/686



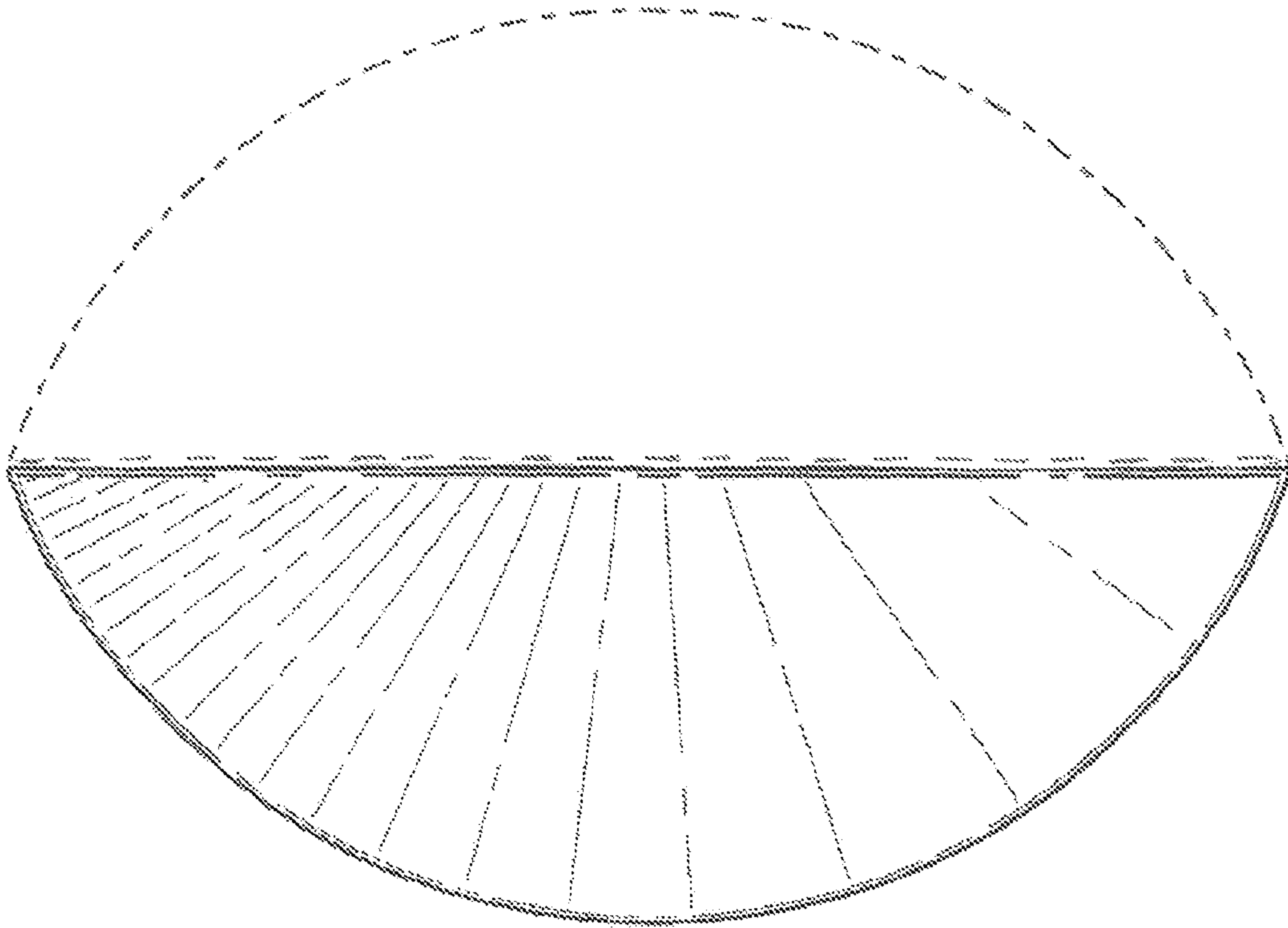


FIG. 1

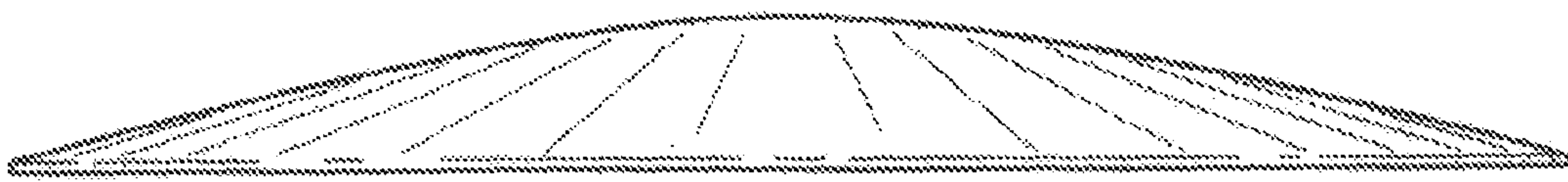


FIG. 2

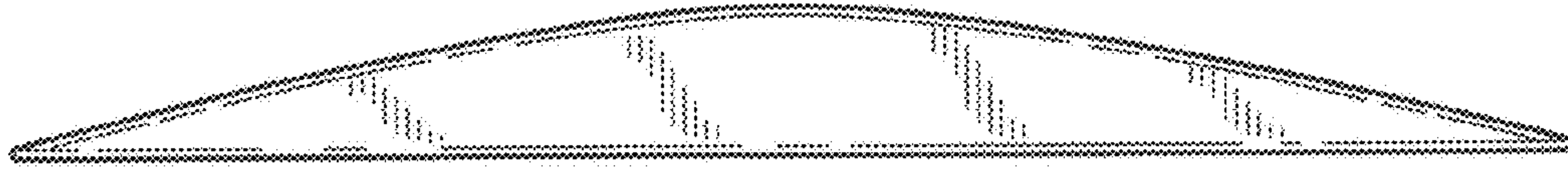


FIG. 3

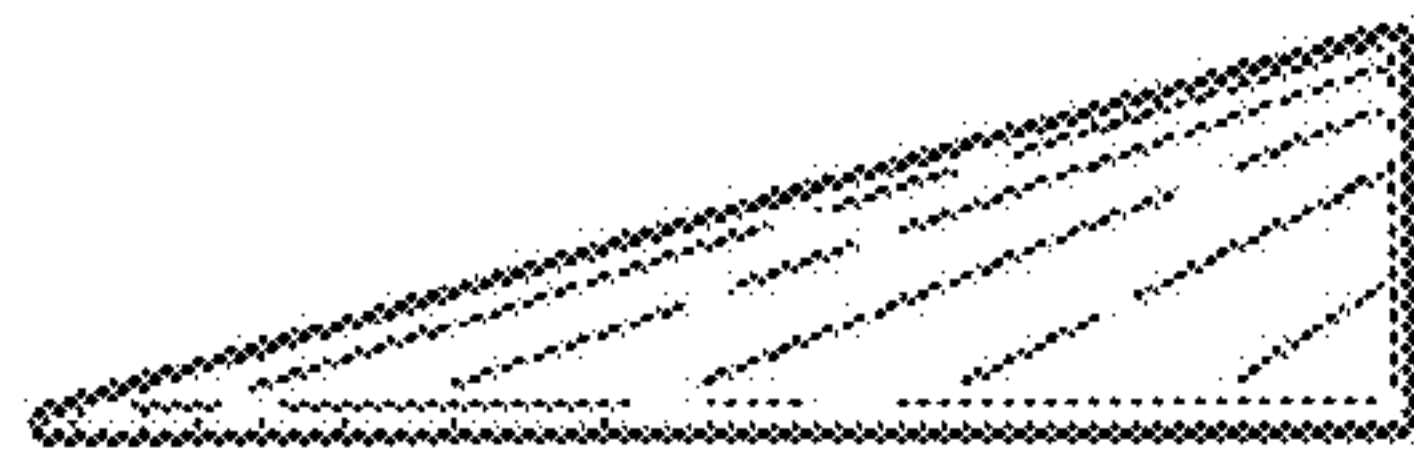


FIG. 4

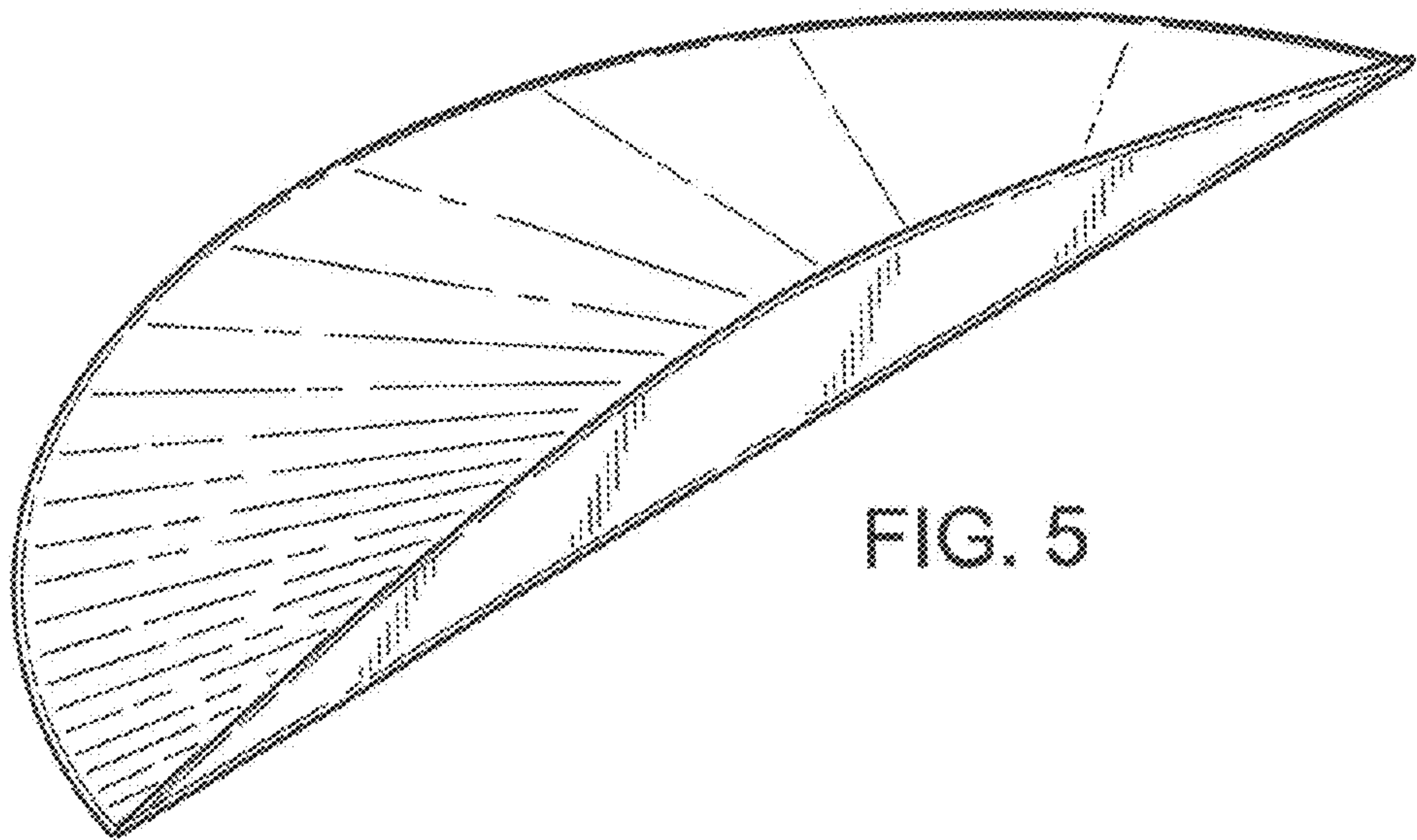


FIG. 5