



US00D612896S

(12) **United States Design Patent**
Talley

(10) **Patent No.:** **US D612,896 S**
(45) **Date of Patent:** **** Mar. 30, 2010**

(54) **EXERCISE PLATFORM**

D546,907 S * 7/2007 Dykgraaf et al. D21/662
7,494,446 B2 * 2/2009 Weck et al. 482/47

(76) Inventor: **Eva Talley**, P.O. Box 950, Dandridge,
TN (US) 37725

* cited by examiner

(**) Term: **14 Years**

Primary Examiner—Philip S Hyder

Assistant Examiner—Susan E Krakower

(21) Appl. No.: **29/326,422**

(74) *Attorney, Agent, or Firm*—Pitts & Brittan, PC

(22) Filed: **Oct. 17, 2008**

(57) **CLAIM**

(51) **LOC (9) Cl.** **21-02**

I claim the ornamental design for an exercise platform, as shown and described.

(52) **U.S. Cl.** **D21/686**

(58) **Field of Classification Search** D21/662,
D21/686, 688; 482/47, 77, 132, 141, 142,
482/146, 148

DESCRIPTION

See application file for complete search history.

FIG. 1 is a perspective view of an exercise platform in accordance with the present invention;

(56) **References Cited**

FIG. 2 is a top plan view of the exercise platform of FIG. 1;

U.S. PATENT DOCUMENTS

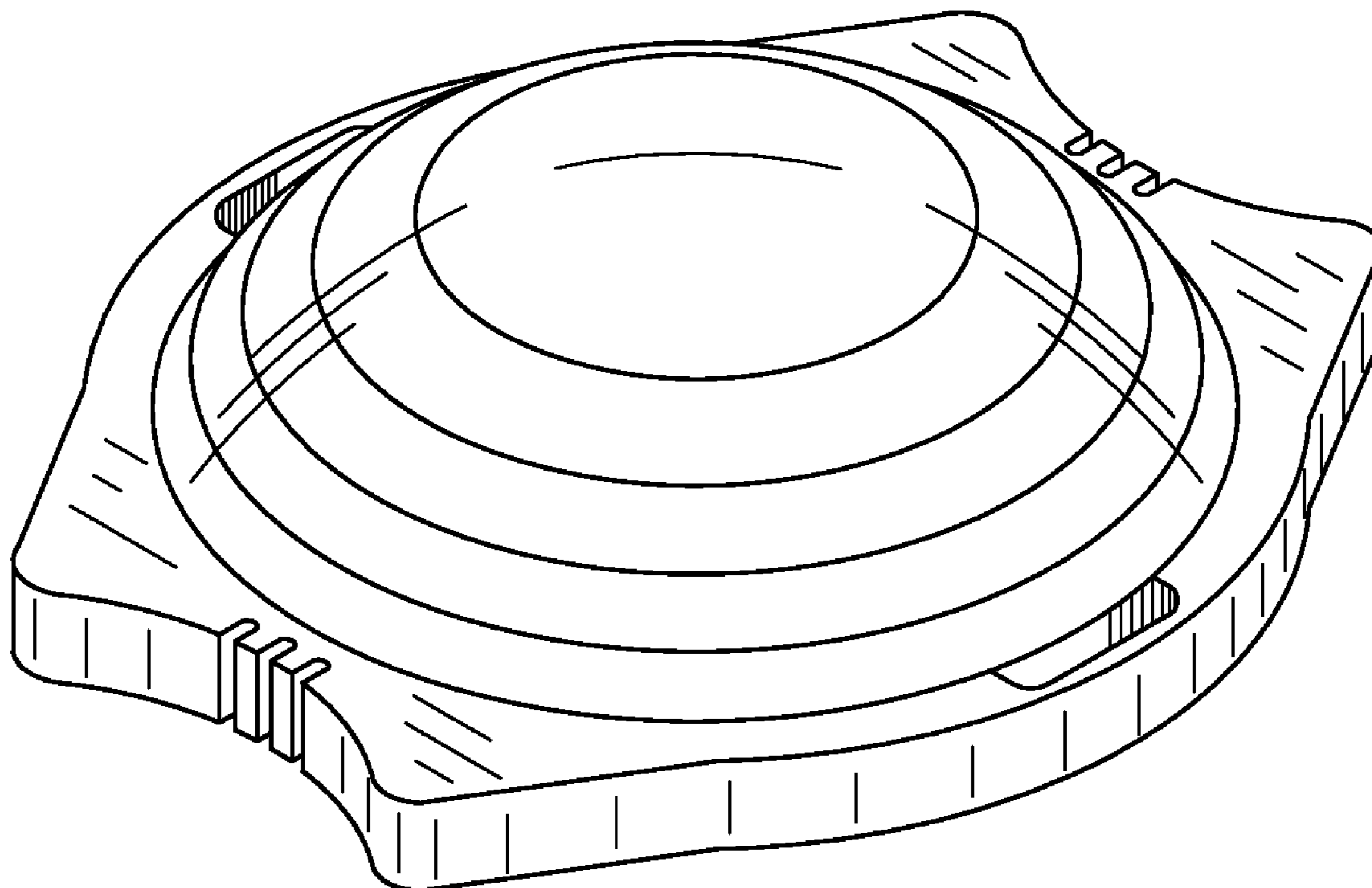
FIG. 3 is a front elevation view of the exercise platform of FIG. 1;

6,554,753	B1 *	4/2003	Weck et al.	482/147
6,702,726	B2 *	3/2004	Lin	482/148
6,719,676	B1 *	4/2004	Hsu	482/121
D507,311	S *	7/2005	Butler et al.	D21/686
D507,608	S *	7/2005	Chen	D21/662
6,945,919	B2 *	9/2005	Yang	482/142
D517,136	S *	3/2006	Chen	D21/688

FIG. 4 is a side elevation view of the exercise platform of FIG. 1; and,

FIG. 5 is a bottom plan view of the exercise platform of FIG. 1.

1 Claim, 3 Drawing Sheets



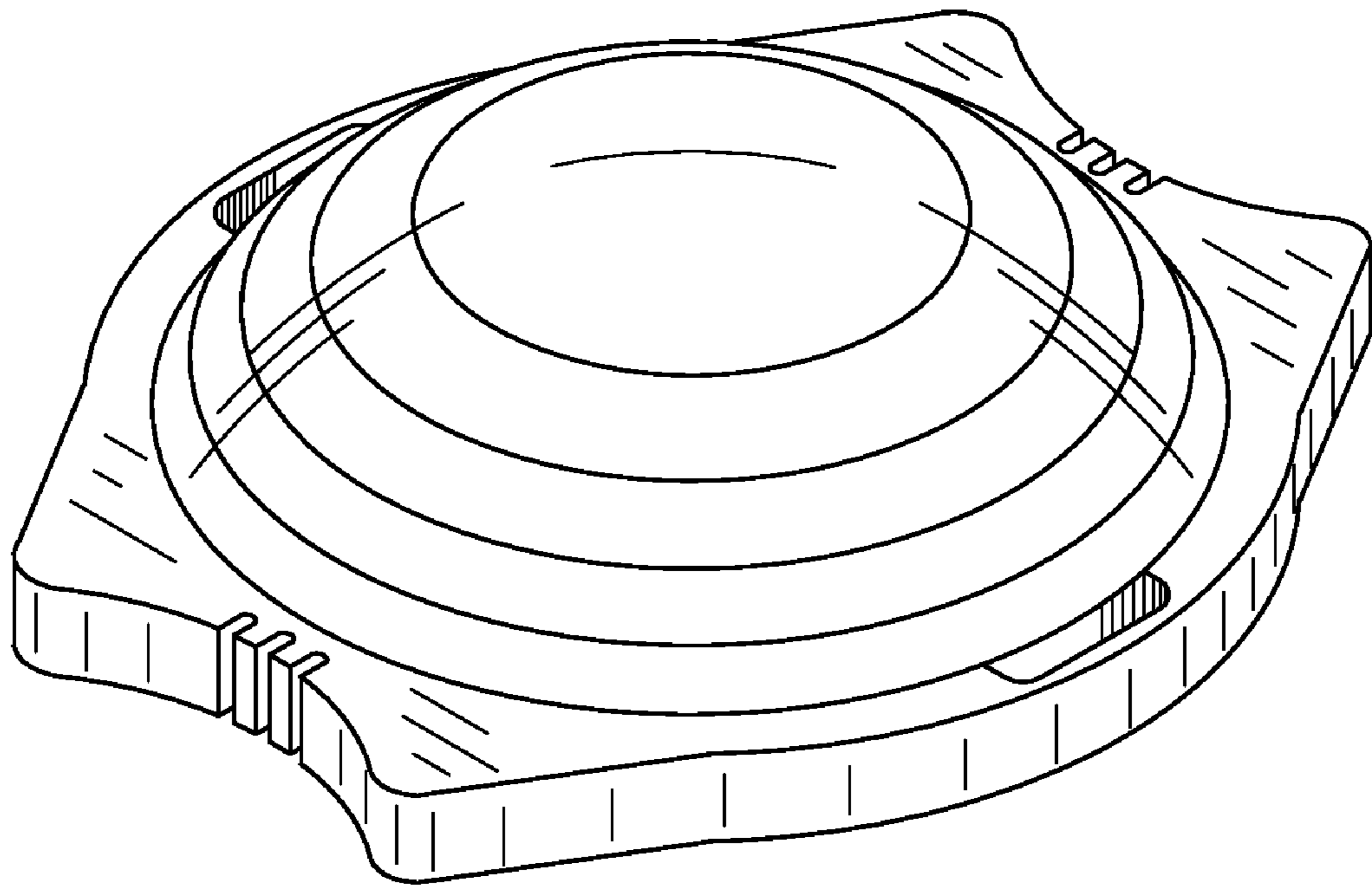


Fig. 1

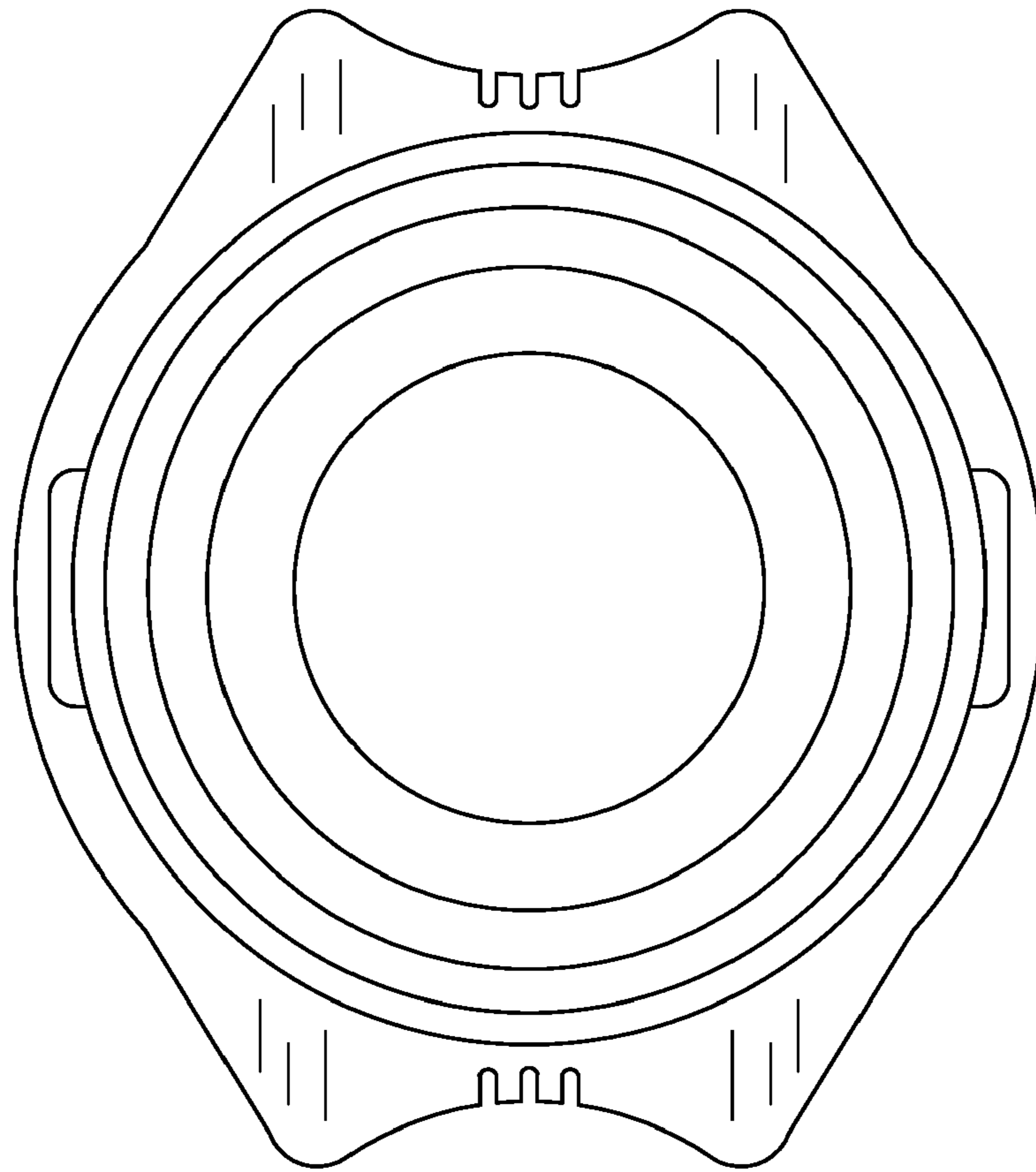


Fig. 2

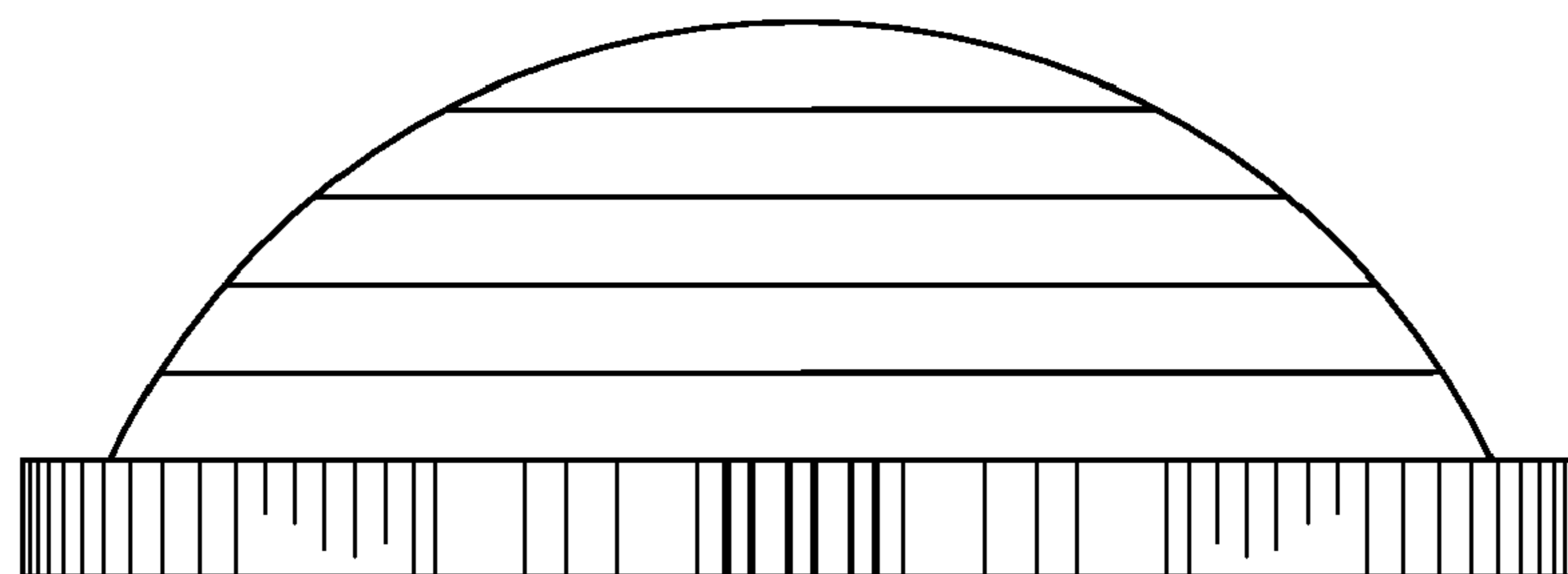


Fig. 3

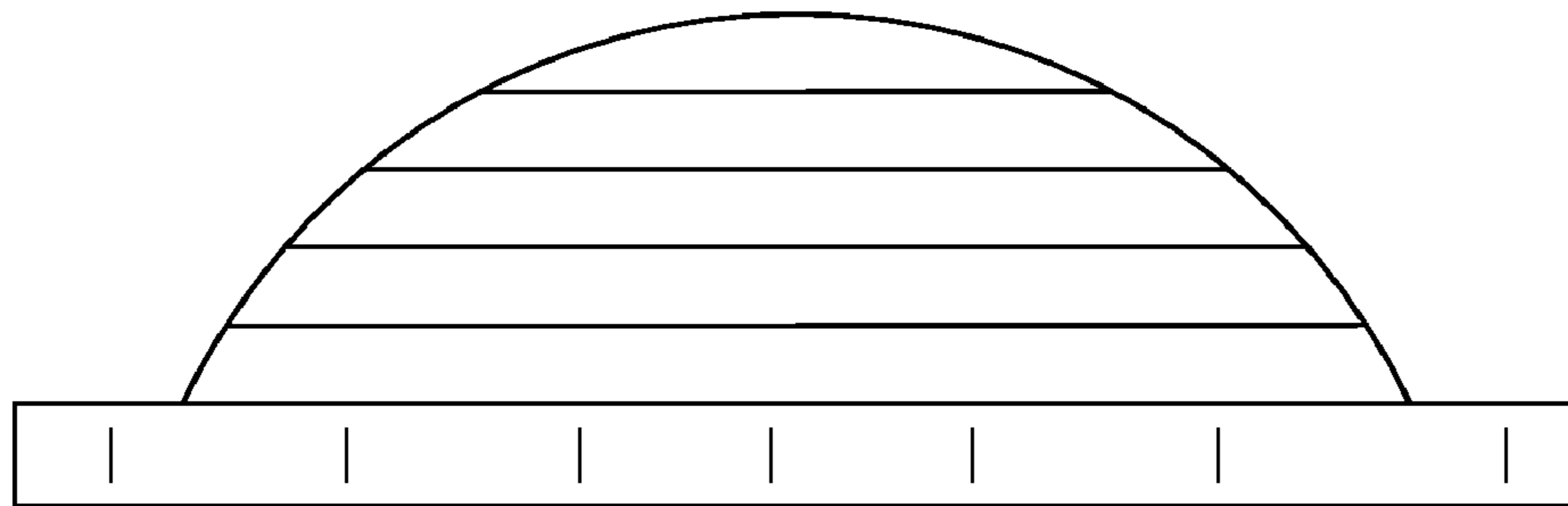


Fig. 4

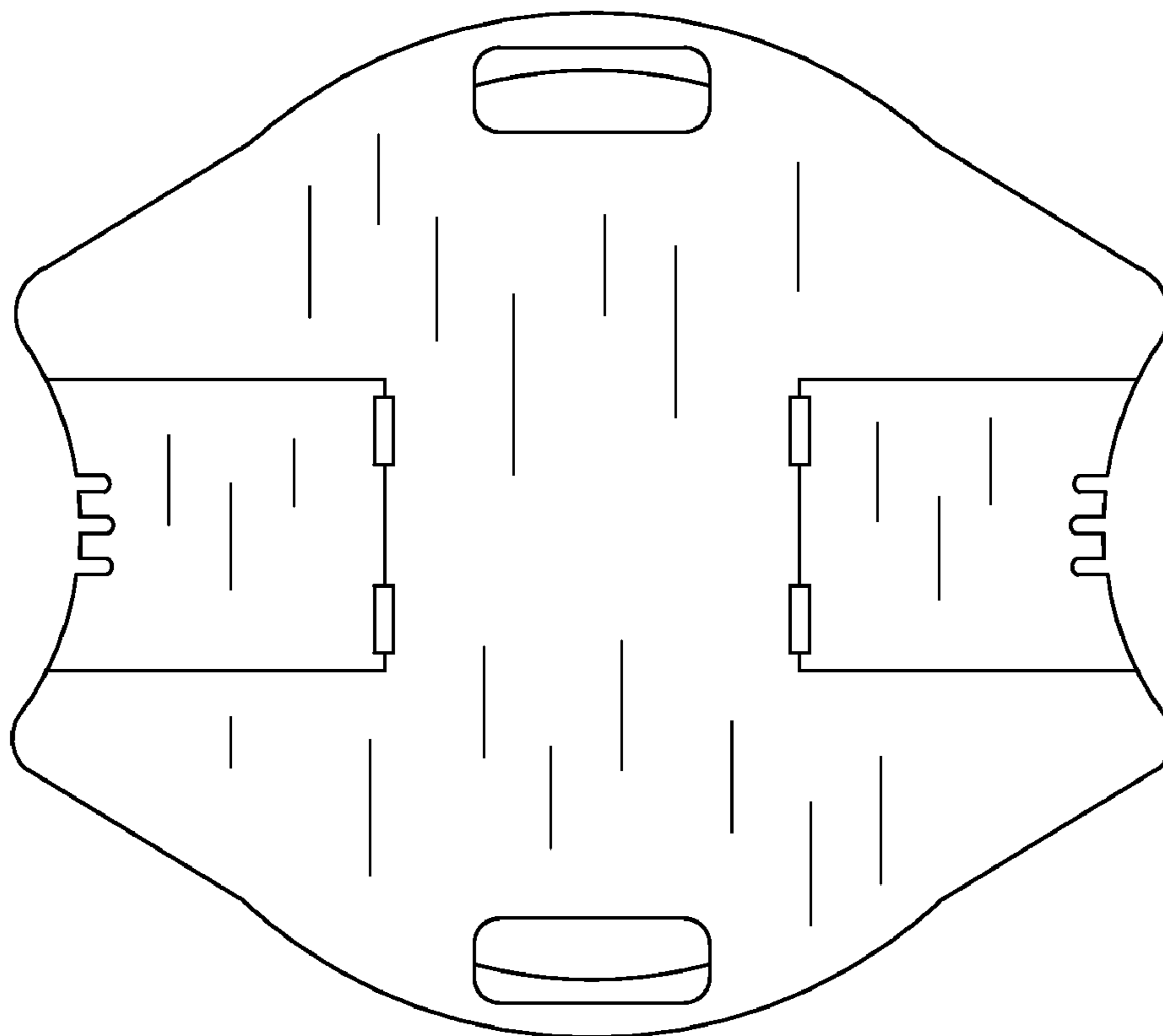


Fig. 5