



US00D612892S

(12) **United States Design Patent**
Miele

(10) **Patent No.:** **US D612,892 S**
(45) **Date of Patent:** **** Mar. 30, 2010**

(54) **ROTATING DART BOARD**

(76) Inventor: **Joseph J. Miele**, 1752 W. Isabella Ave.,
Mesa, AZ (US) 85202

(**) Term: **14 Years**

(21) Appl. No.: **29/325,252**

(22) Filed: **Sep. 27, 2008**

(51) **LOC (9) Cl.** **21-01**

(52) **U.S. Cl.** **D21/308**

(58) **Field of Classification Search** D21/307-308,
D21/362; 273/348, 368, 408

See application file for complete search history.

(56) **References Cited**

U.S. PATENT DOCUMENTS

3,850,432	A *	11/1974	Crocker	273/368
5,573,250	A *	11/1996	Kuo	273/408
D393,010	S *	3/1998	Beall	D21/308
D397,157	S *	8/1998	Beall	D21/308
5,967,520	A *	10/1999	Chen	D21/308
D488,192	S *	4/2004	Kim	D21/308

2005/0062232 A1* 3/2005 Pavlik et al. 273/408

* cited by examiner

Primary Examiner—Sandra Morris

(57) **CLAIM**

I claim, the ornamental design for the rotating dart board, as shown and described.

DESCRIPTION

FIG. 1 is a front elevational view of the rotating dart board showing my new design;

FIG. 2 is a rear elevational view of the rotating dart board thereof;

FIG. 3 is a left-side elevational view of the rotating dart board thereof;

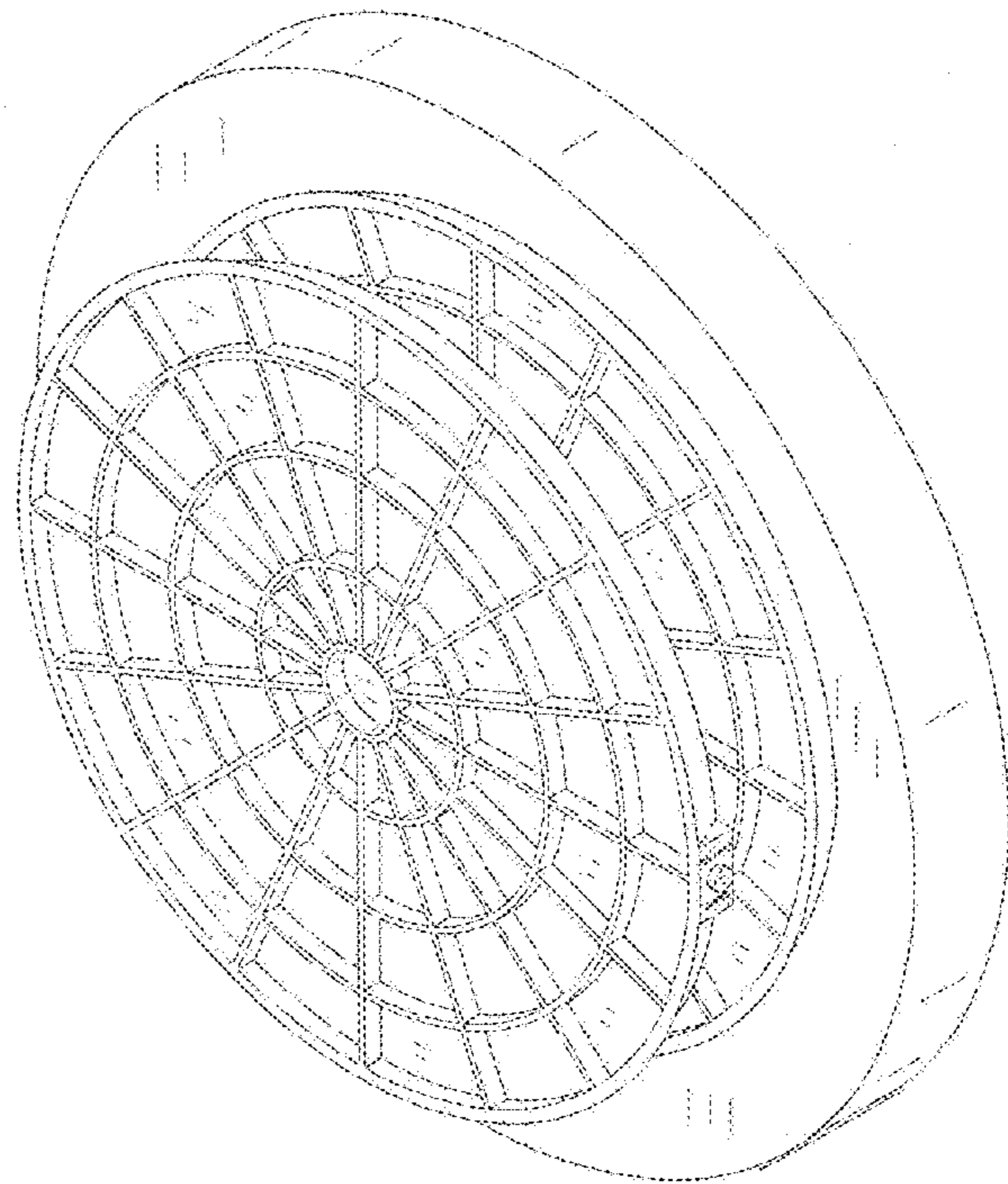
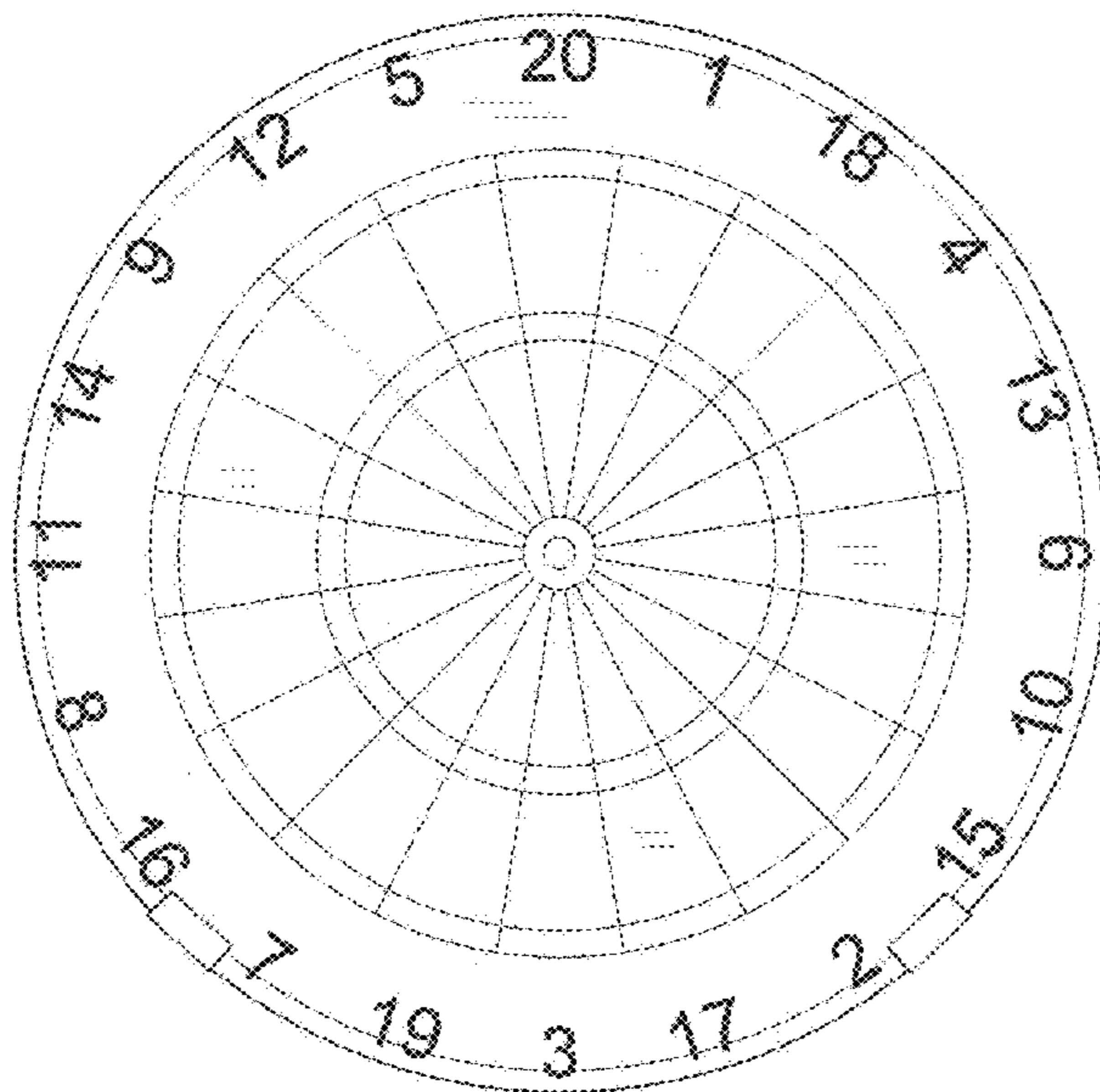
FIG. 4 is right side elevational view of the rotating dart board thereof;

FIG. 5 is a top plan view of the rotating dart board thereof;

FIG. 6 is a bottom plan view of the rotating dart board thereof; and,

FIG. 7 is a perspective view of the rotating dart board thereof.

1 Claim, 5 Drawing Sheets



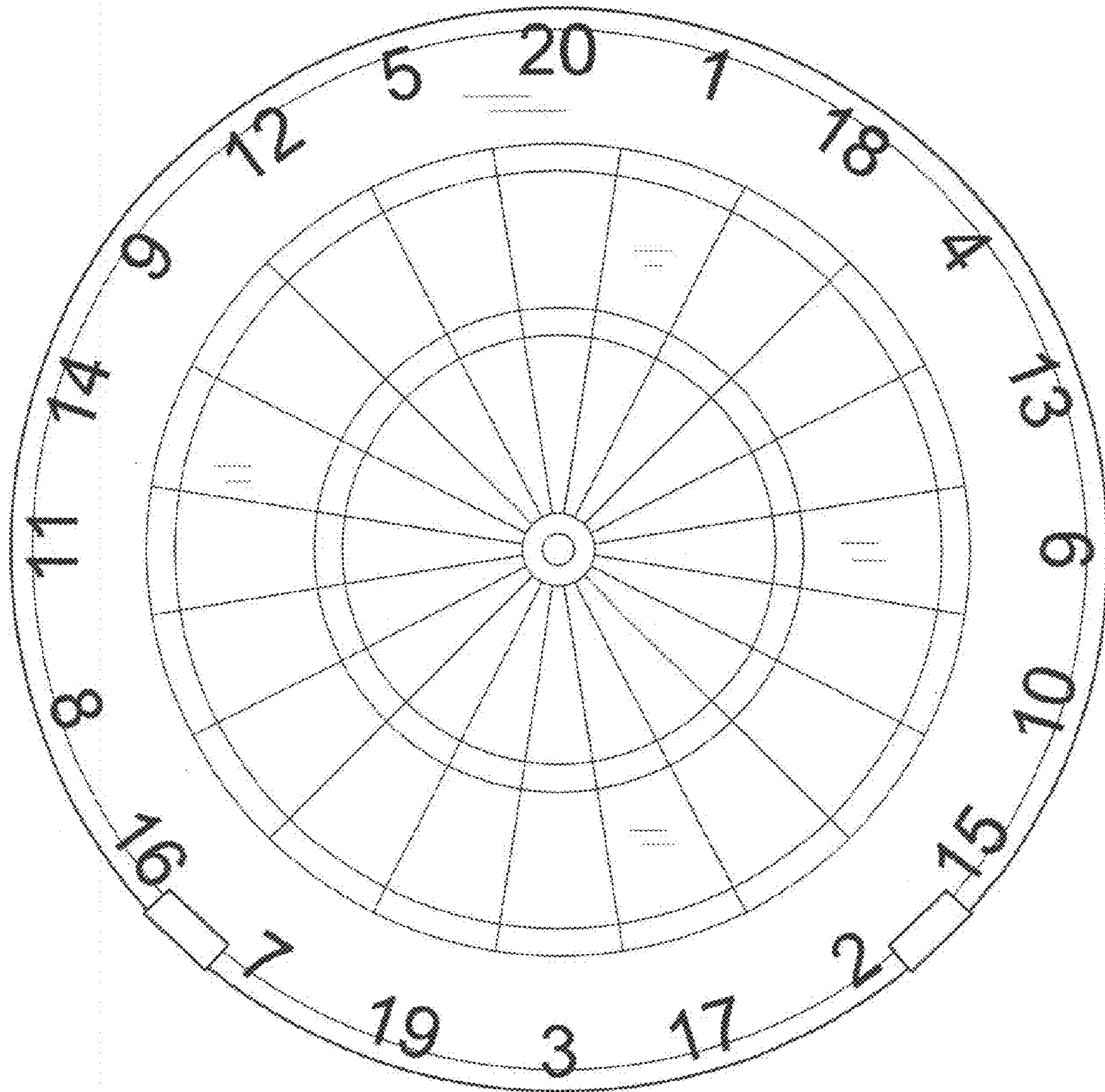


FIG. 1

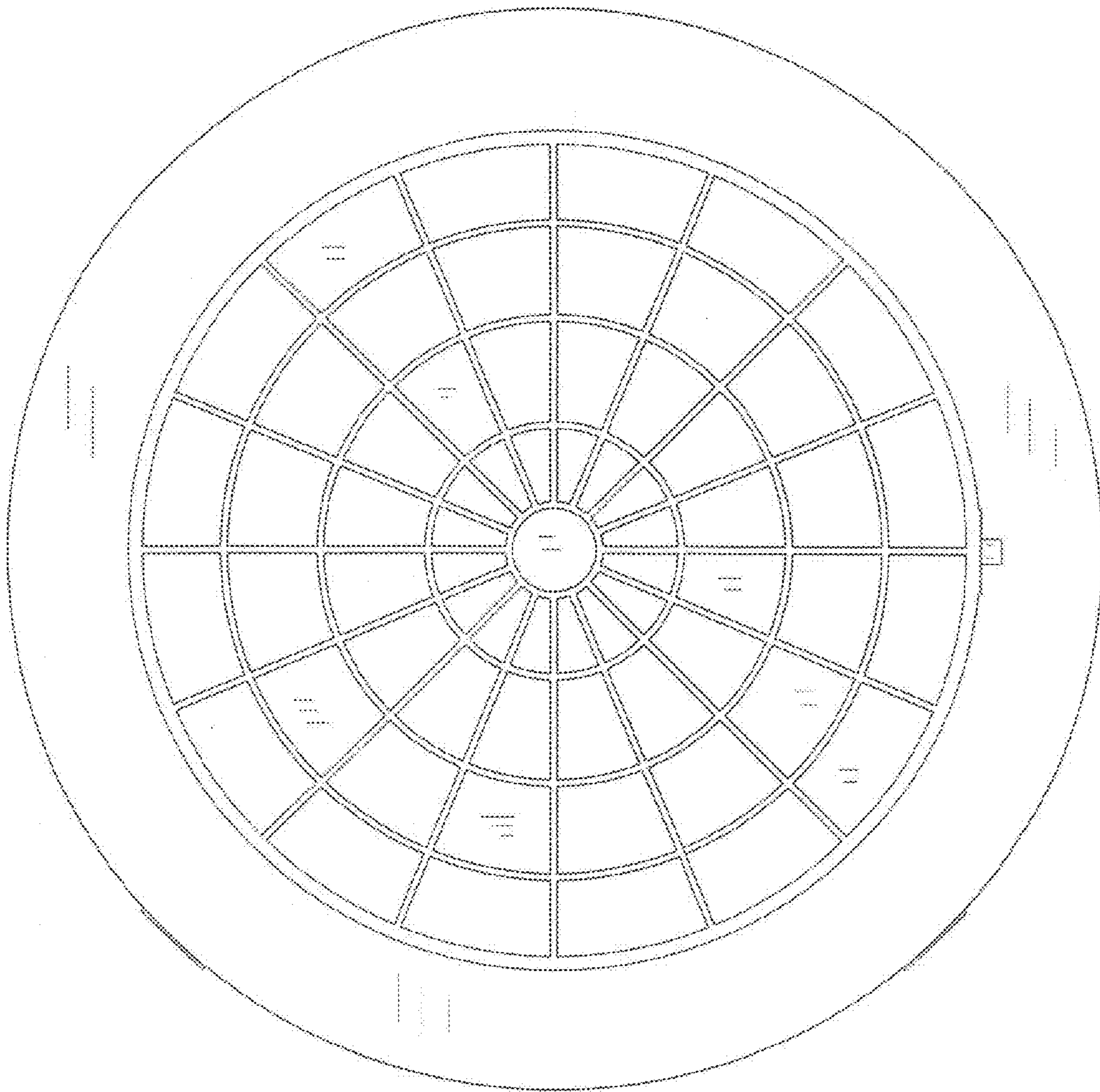


FIG. 2

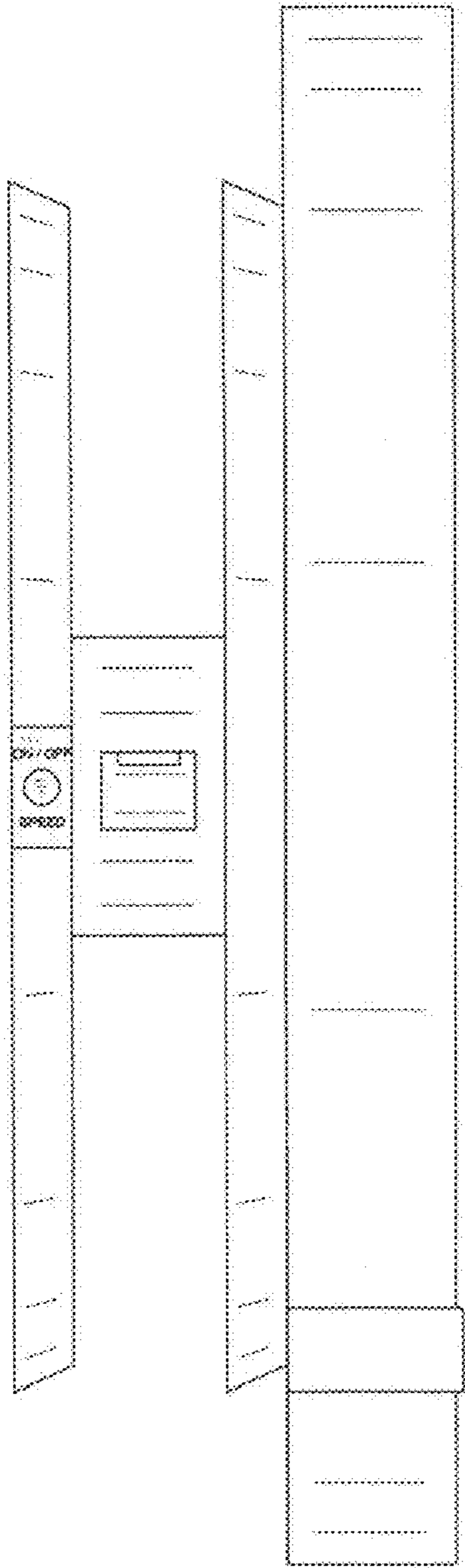


FIG. 3

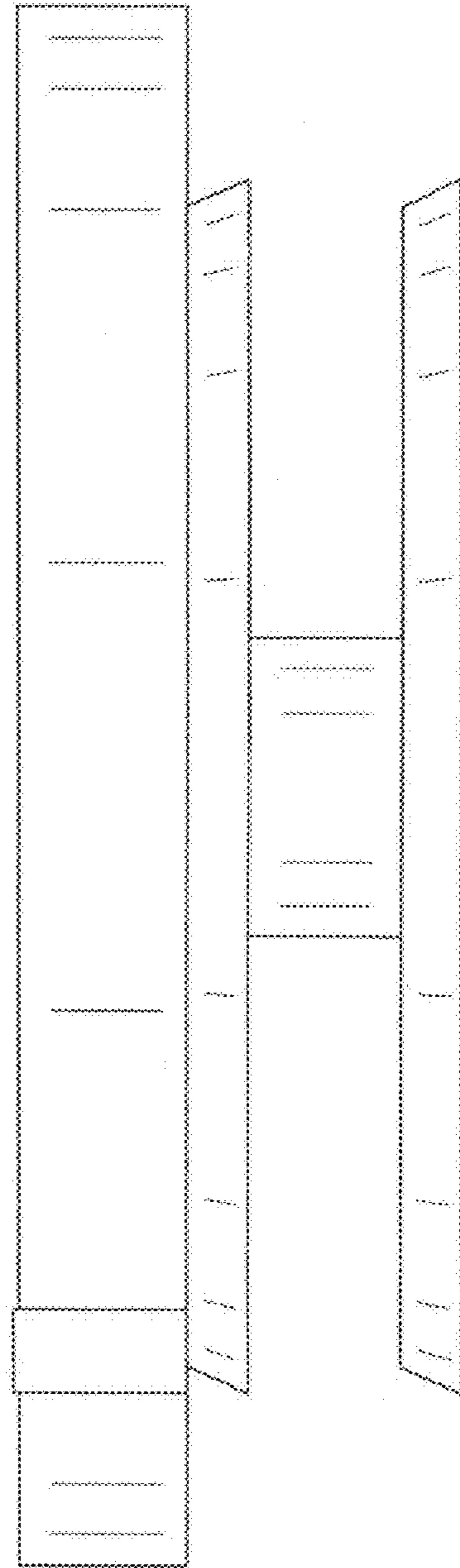


FIG. 4

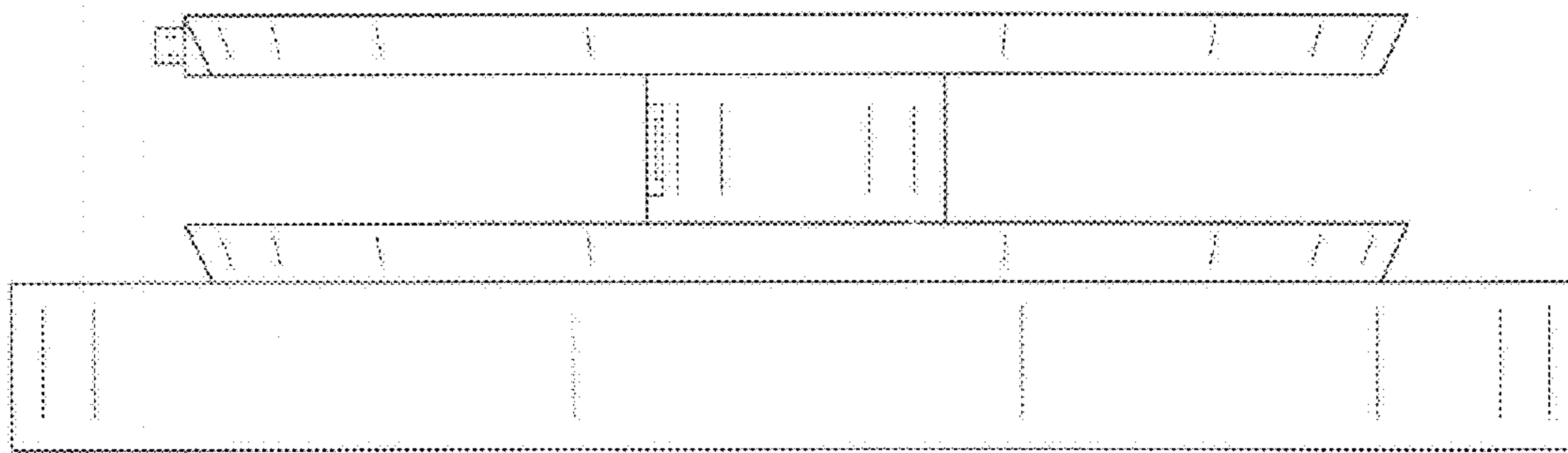


FIG. 5

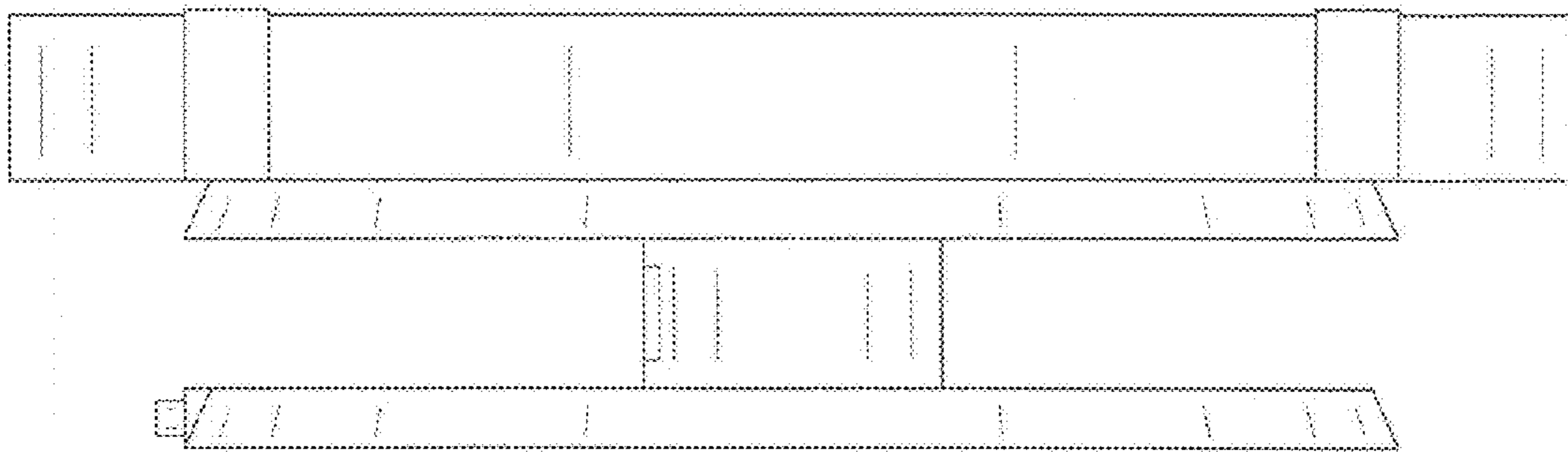


FIG. 6

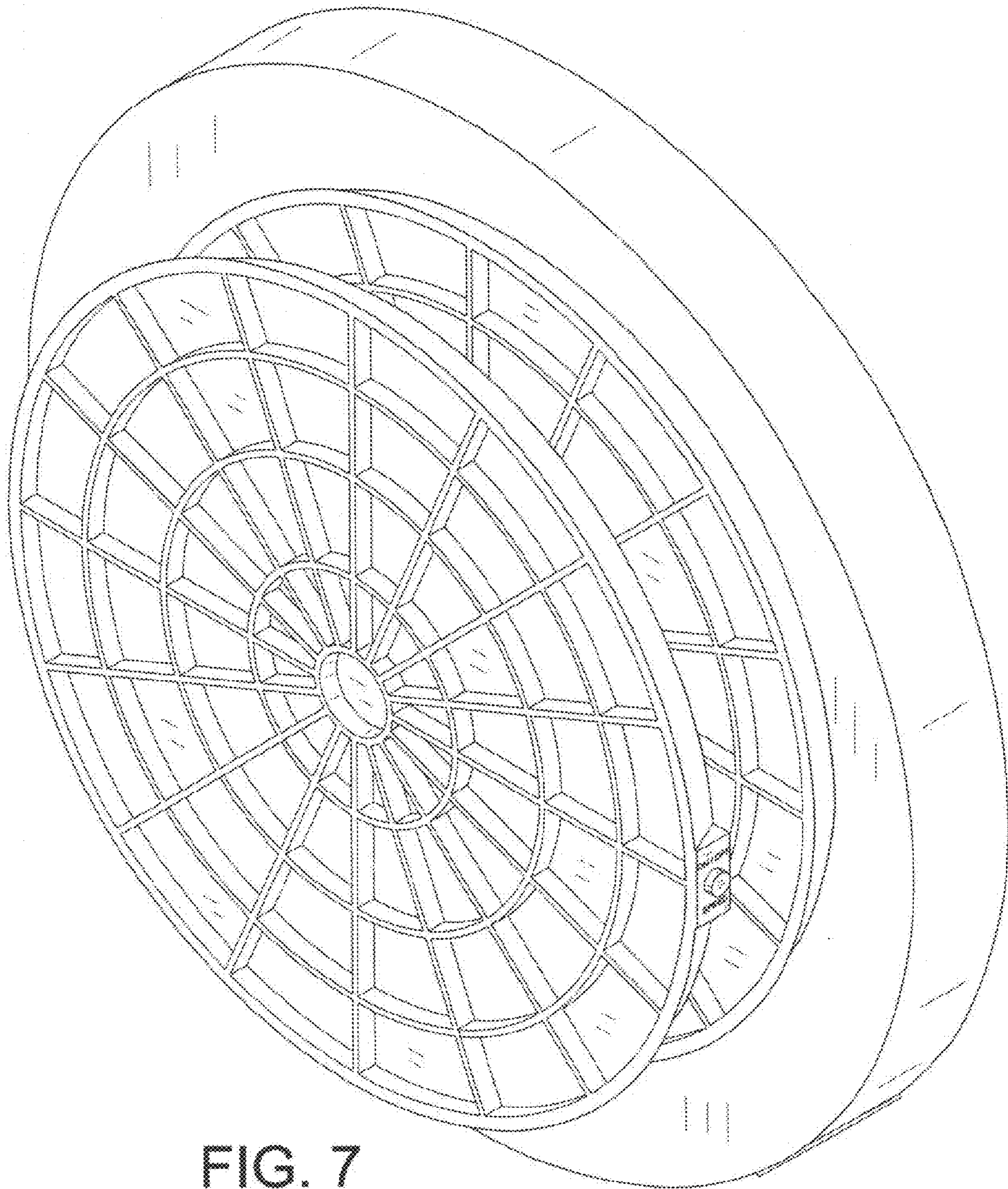


FIG. 7