



US00D612890S

(12) **United States Design Patent**  
**Isozaki et al.**

(10) **Patent No.:** **US D612,890 S**  
(45) **Date of Patent:** **\*\* Mar. 30, 2010**

(54) **HOLE PUNCH FOR STATIONERY**

2004/0244553 A1\* 12/2004 Rodriguez ..... 83/563

(75) Inventors: **Ko Isozaki**, Tokyo (JP); **Megumi Tanabe**, Tokyo (JP)

OTHER PUBLICATIONS

Plus Stationery power-assisted 2-hole punch #PU-815A, as shown on [http://bungu.plus.co.jp/sta/english/dealer/pdf/PLUS\\_Flyer\\_punch\\_B.pdf](http://bungu.plus.co.jp/sta/english/dealer/pdf/PLUS_Flyer_punch_B.pdf), viewed Jun. 29, 2009 (1 page).\*

(73) Assignee: **Plus Stationery Corporation**, Tokyo (JP)

\* cited by examiner

(\*\*) Term: **14 Years**

*Primary Examiner*—Elizabeth A Albert

*Assistant Examiner*—Karen E Eldridge Powers

(21) Appl. No.: **29/330,035**

(74) *Attorney, Agent, or Firm*—The Marbury Law Group PLLC

(22) Filed: **Dec. 26, 2008**

(51) **LOC (9) Cl.** ..... **19-02**

(57) **CLAIM**

(52) **U.S. Cl.** ..... **D19/72**

The ornamental design for a hole punch for stationery, as shown and described.

(58) **Field of Classification Search** ..... D8/98;  
D19/72; 30/358; 83/167, 467.1, 468, 468.2,  
83/549, 588, 618, 620, 633, 651, 684

**DESCRIPTION**

See application file for complete search history.

FIG. 1 is a front view of a hole punch for stationery showing our new design;

(56) **References Cited**

U.S. PATENT DOCUMENTS

71,259	A *	11/1867	Yeager	83/651
149,409	A *	4/1874	Lumbert	83/471.3
2,587,749	A *	3/1952	Misson	83/627
D193,231	S *	7/1962	Klein	D19/72
3,073,199	A *	1/1963	Yerkes	83/549
D289,776	S *	5/1987	Goertz et al.	D19/72
4,688,457	A *	8/1987	Neilsen et al.	83/468
D358,845	S *	5/1995	Mori	D19/72
5,658,421	A *	8/1997	Carroll	156/513
5,974,929	A *	11/1999	Kugel et al.	83/582
D468,772	S *	1/2003	Robillard	D19/72
D567,862	S *	4/2008	Chen et al.	D19/72
D573,649	S *	7/2008	Chen et al.	D19/72

FIG. 2 is a rear view thereof;

FIG. 3 is a right side view thereof;

FIG. 4 is a left side view thereof;

FIG. 5 is a top plan view thereof;

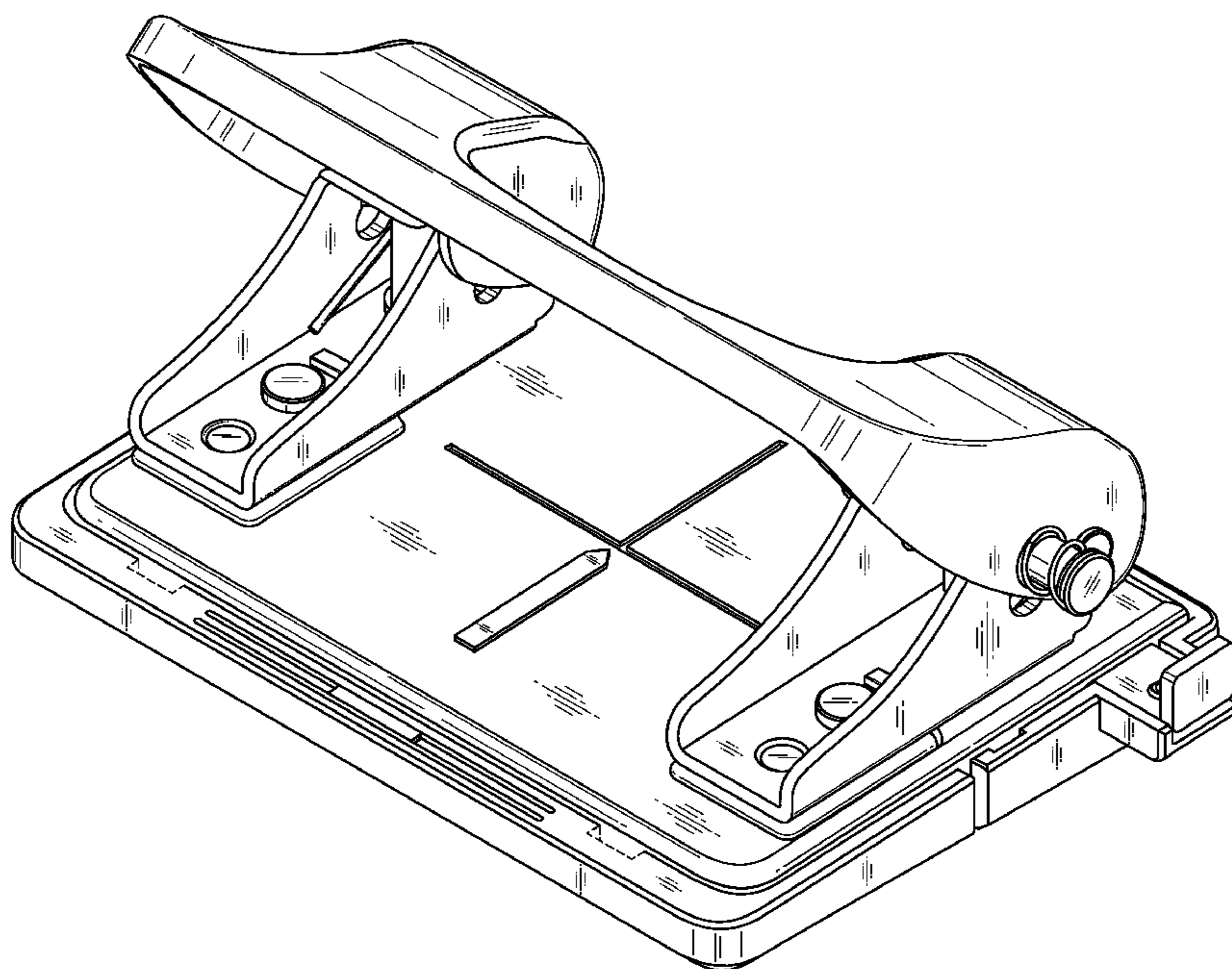
FIG. 6 is a bottom plan view thereof;

FIG. 7 is a left side perspective view thereof; and,

FIG. 8 is a further left side perspective view thereof, showing the handle of the claimed design in an alternate position.

The features shown in broken lines in the drawings illustrate environmental matter and form no part of the claimed design.

**1 Claim, 8 Drawing Sheets**



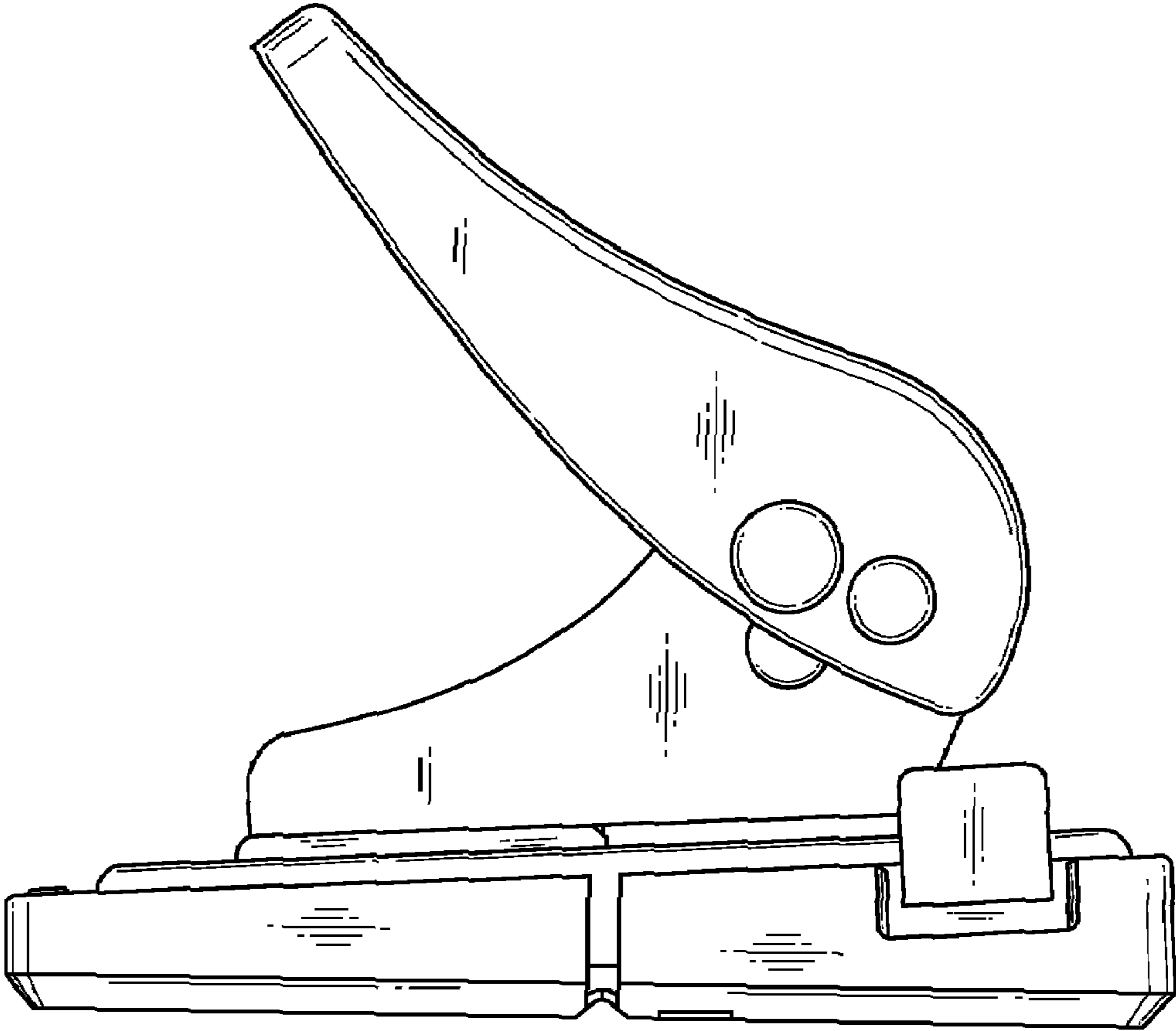


FIG. 1

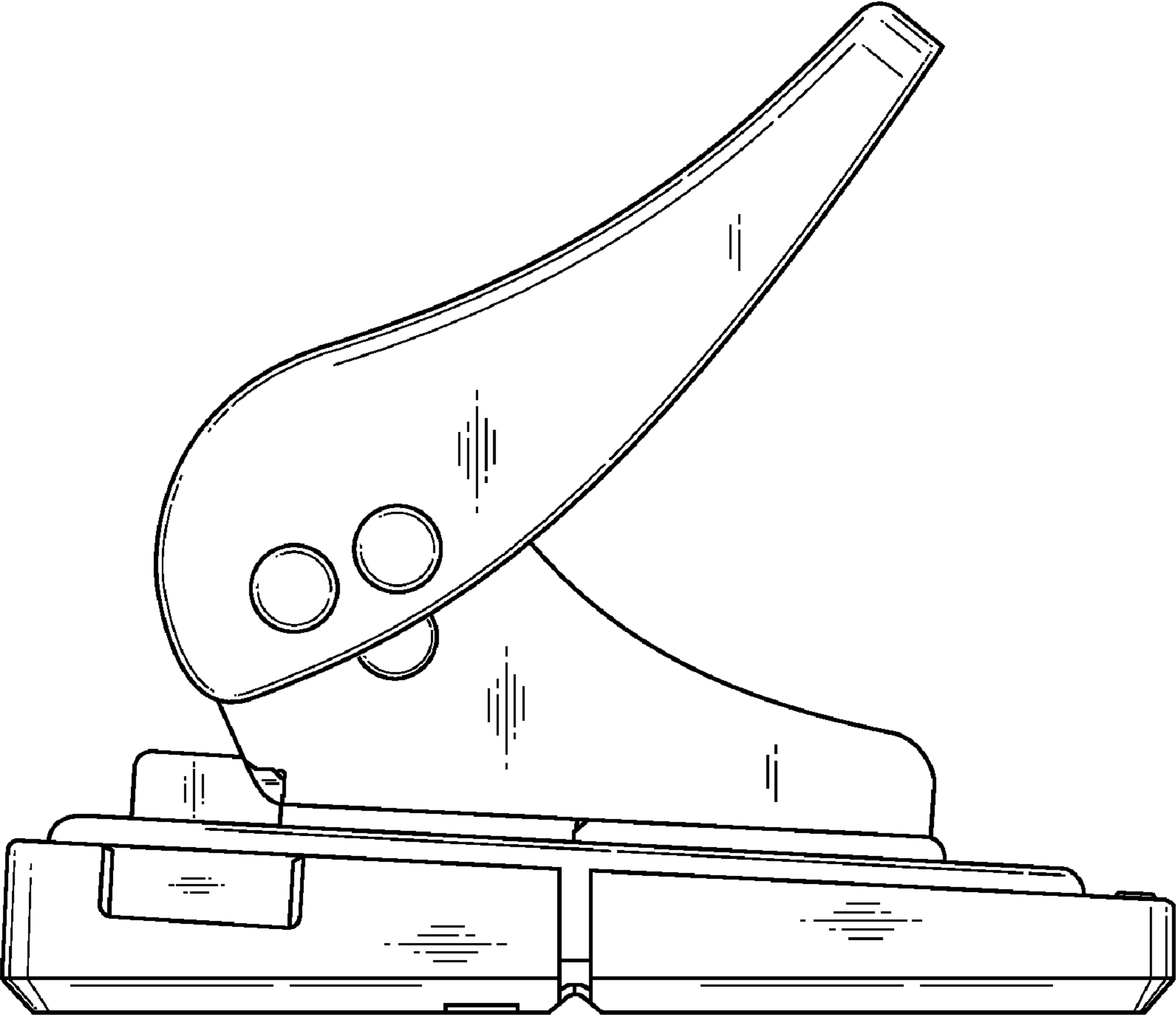


FIG. 2

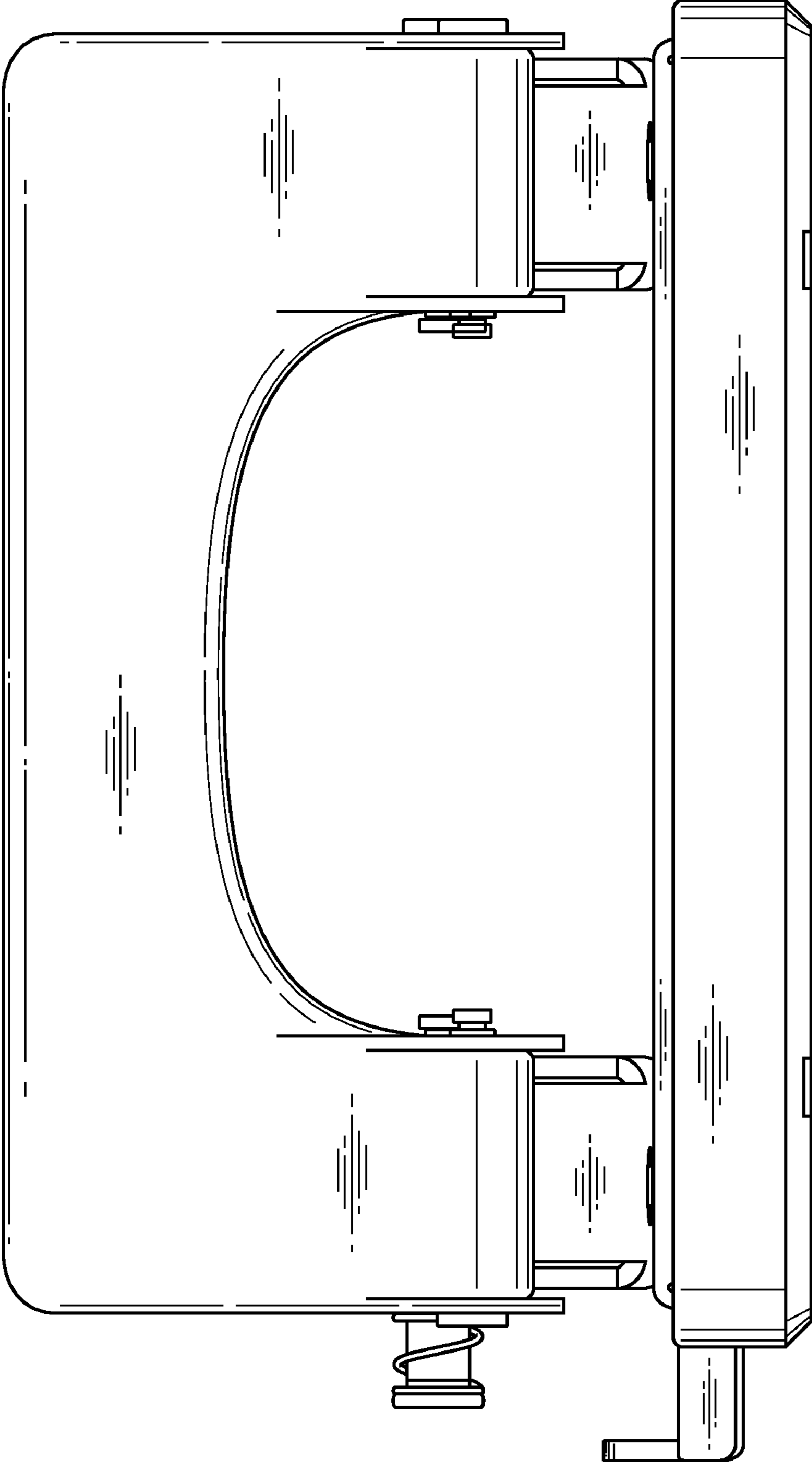


FIG. 3

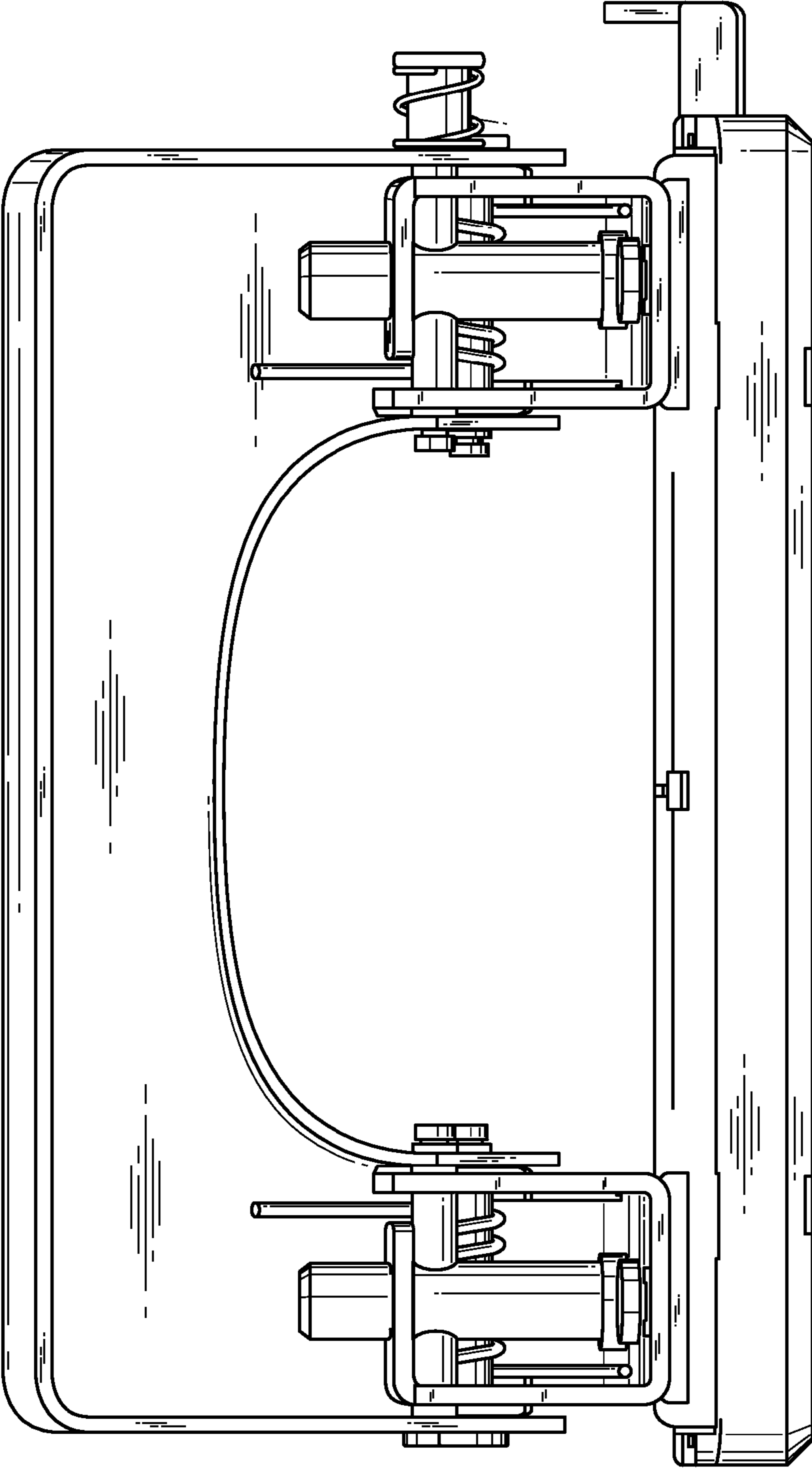


FIG. 4

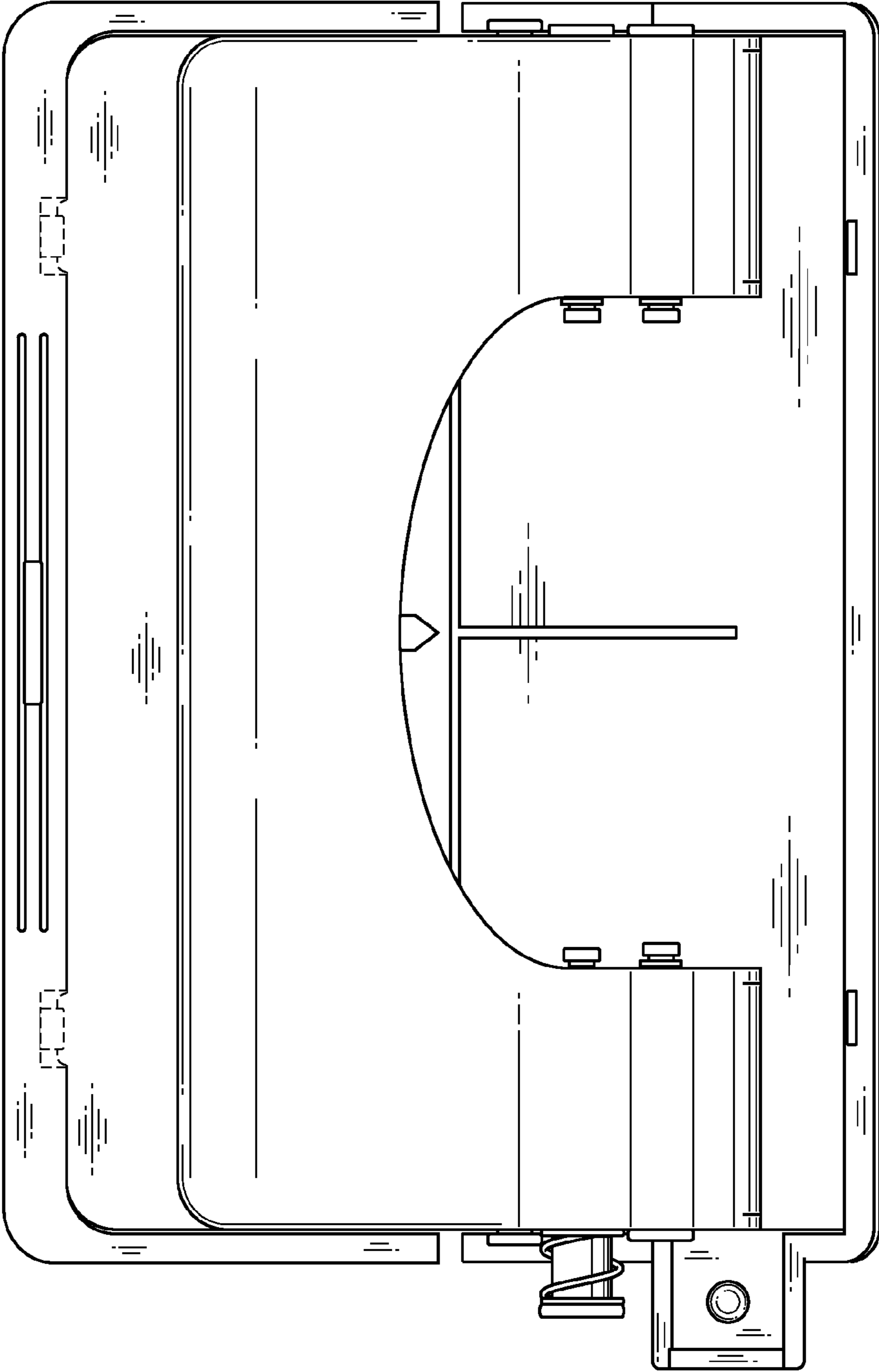


FIG. 5

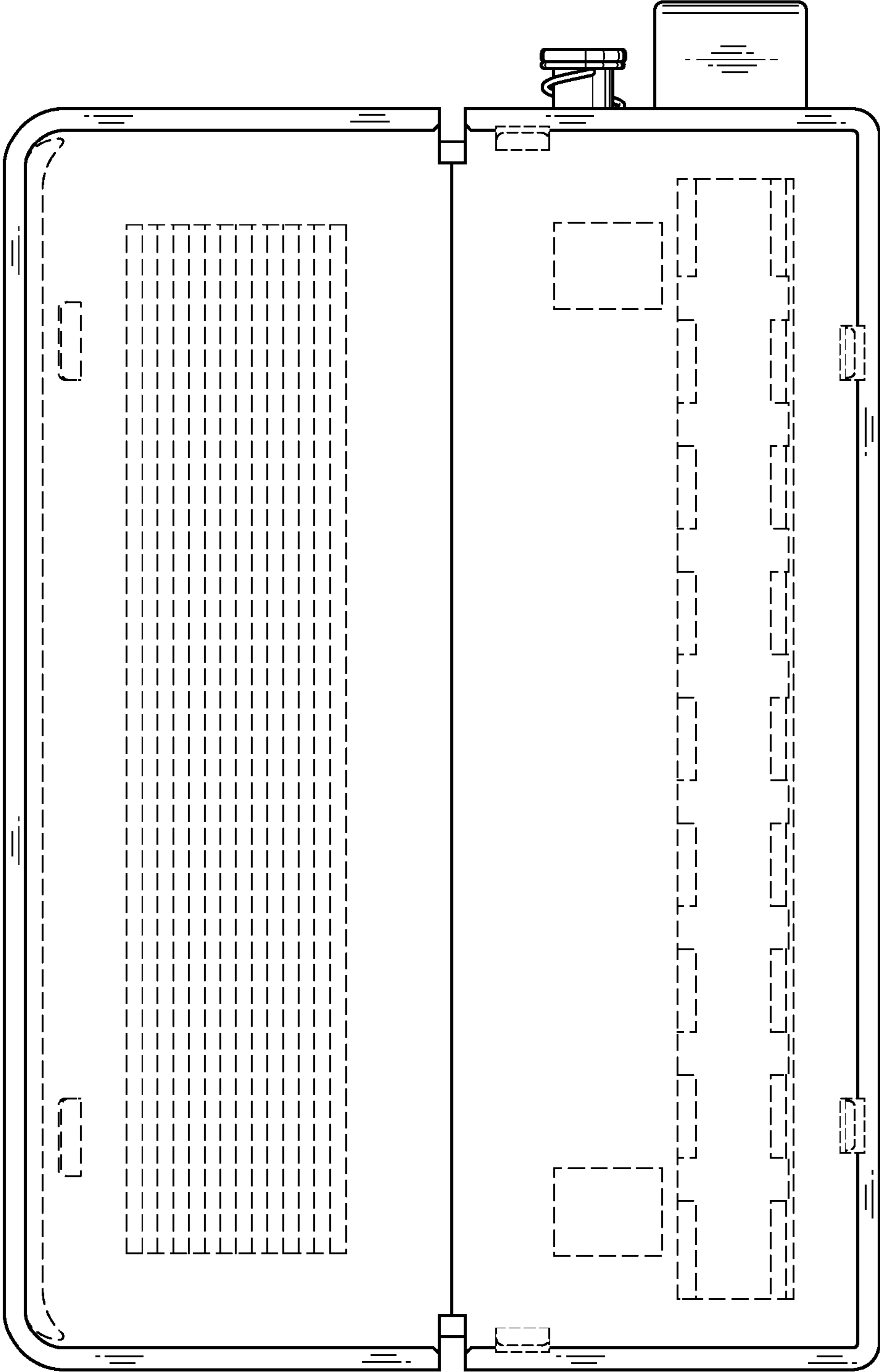


FIG. 6

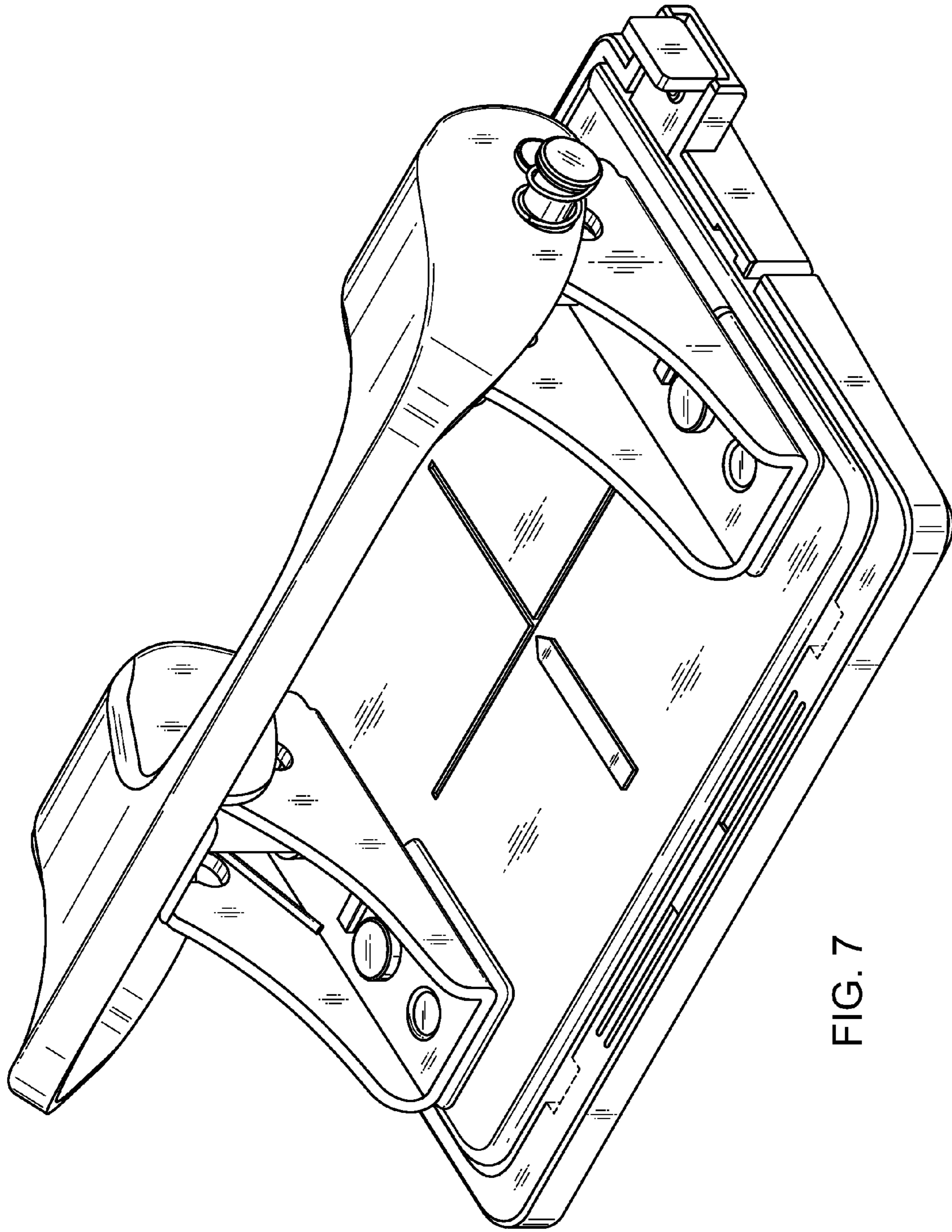


FIG. 7



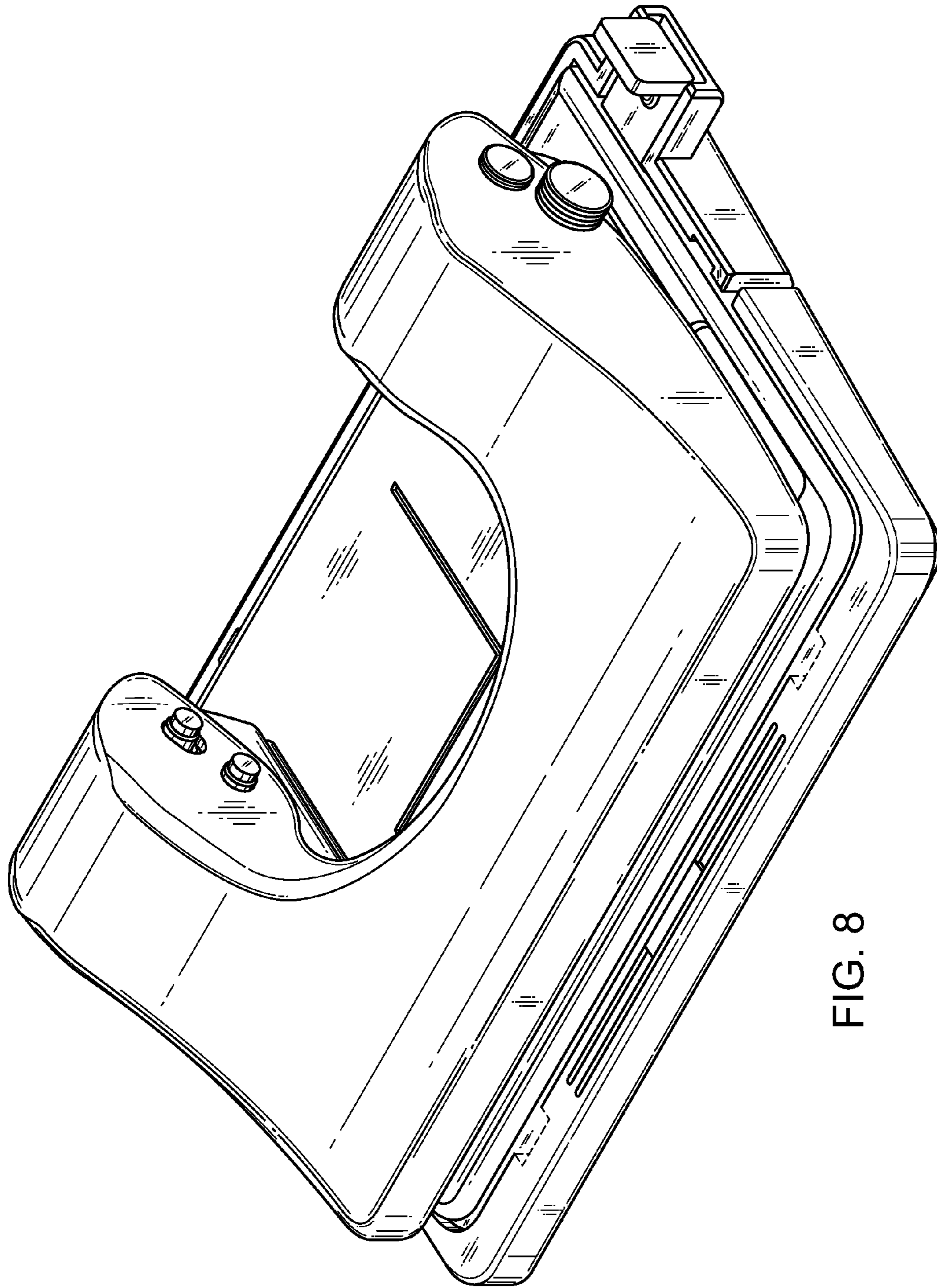


FIG. 8