



US00D612886S

(12) **United States Design Patent**
Newbould et al.

(10) **Patent No.:** **US D612,886 S**
(45) **Date of Patent:** **** *Mar. 30, 2010**

(54) **WRITING INSTRUMENT WITH SHEET DISPENSER**

(75) Inventors: **Peter J. Newbould**, Milan (IT);
Pasquale Cirulli, Zelo Surrigone (IT);
Thomas C. Meier, Woodbury, MN (US);
David C. Windorski, Woodbury, MN (US)

(73) Assignee: **3M Innovative Properties Company**,
St. Paul, MN (US)

(**) Term: **14 Years**

(21) Appl. No.: **29/334,790**

(22) Filed: **Apr. 1, 2009**

(51) **LOC (9) Cl.** **19-06**

(52) **U.S. Cl.** **D19/36**

(58) **Field of Classification Search** D19/35,
D19/36, 41-51, 53-57, 86; 24/11 F, 11 P,
24/11 R; 401/52, 99, 100, 104-109, 192,
401/195, 196; 206/39.5; 221/45, 46, 56
See application file for complete search history.

(56) **References Cited**

U.S. PATENT DOCUMENTS

1,261,077	A *	4/1918	Walsh	206/39.5
D181,244	S *	10/1957	Zierhut	D19/51
D182,162	S *	2/1958	Carreiro	D19/51
D182,216	S *	2/1958	Zirhut	D19/57
3,075,496	A *	1/1963	Zepelovitch	401/106
3,140,694	A *	7/1964	Reed	401/53
3,251,343	A *	5/1966	Wesenberg	211/69.5
3,602,600	A *	8/1971	Kanski	401/115
D223,688	S *	5/1972	Schnur	D19/49
D331,779	S *	12/1992	Hu	D19/51
D342,546	S *	12/1993	Song	D19/50
D354,985	S *	1/1995	Hong	D19/50
D395,875	S *	7/1998	Aiken et al.	D14/411

5,938,010	A *	8/1999	Osterbye	206/38
D428,926	S *	8/2000	Windorski	D19/86
D457,185	S *	5/2002	Ham	D19/36
D482,397	S *	11/2003	Hui	D19/43
D502,737	S *	3/2005	Bodino	D19/43
7,086,798	B1 *	8/2006	Cetera	401/195
D531,217	S *	10/2006	Hirota	D19/50
7,114,870	B2 *	10/2006	Windorski et al.	401/195
D535,693	S *	1/2007	Gahlow et al.	D19/50
D551,709	S *	9/2007	Pellissa Beneyto	D19/50
D562,390	S *	2/2008	Qiu et al.	D19/49
D564,582	S *	3/2008	Windorski	D19/36
D580,494	S *	11/2008	Delancourt	D19/49
D581,978	S *	12/2008	Windorski et al.	D19/36
D586,392	S	2/2009	Cheng		
D586,854	S	2/2009	Tan		
D589,091	S	3/2009	Ikeda		
D591,349	S *	4/2009	Delancourt	D19/49
D601,190	S *	9/2009	Liu	D19/36
2005/0191114	A1 *	9/2005	Smith et al.	401/195

* cited by examiner

Primary Examiner—Elizabeth A Albert

(74) *Attorney, Agent, or Firm*—Robert H. Jordan

(57) **CLAIM**

The ornamental design for a writing instrument with sheet dispenser, as shown and described.

DESCRIPTION

FIG. 1 is a perspective view showing the new design for a writing instrument with sheet dispenser;

FIG. 2 is a right side view thereof, the left side view being a mirror image;

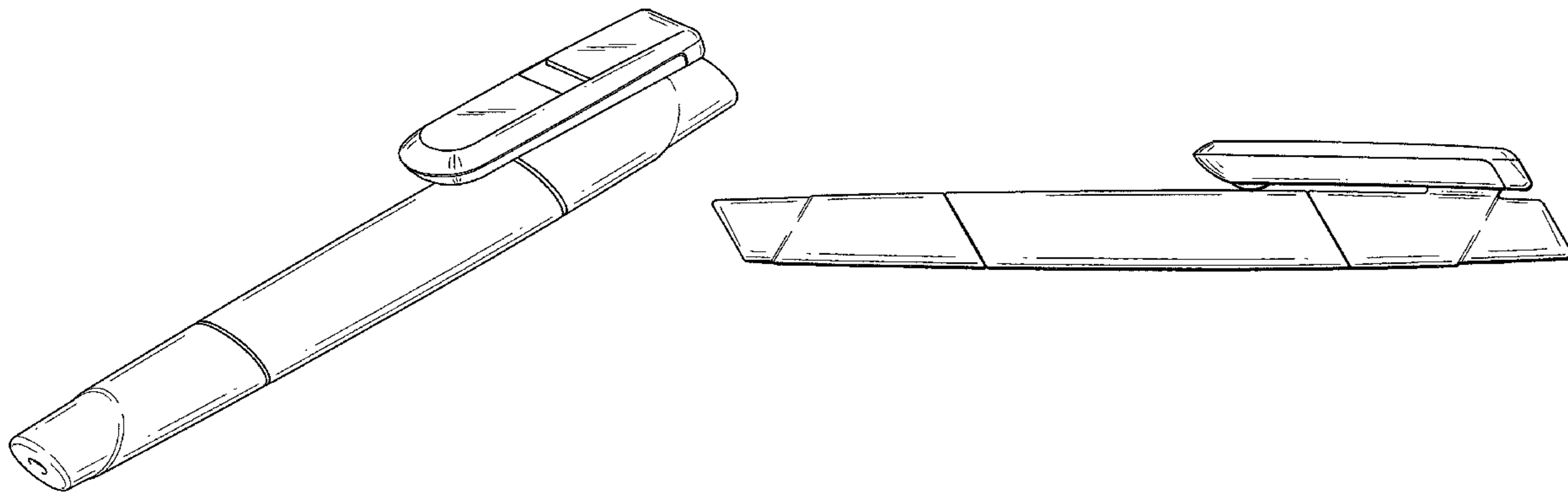
FIG. 3 is a top plan view thereof;

FIG. 4 is a bottom plan view thereof;

FIG. 5 is a rear view thereof; and,

FIG. 6 is a front view thereof.

1 Claim, 2 Drawing Sheets



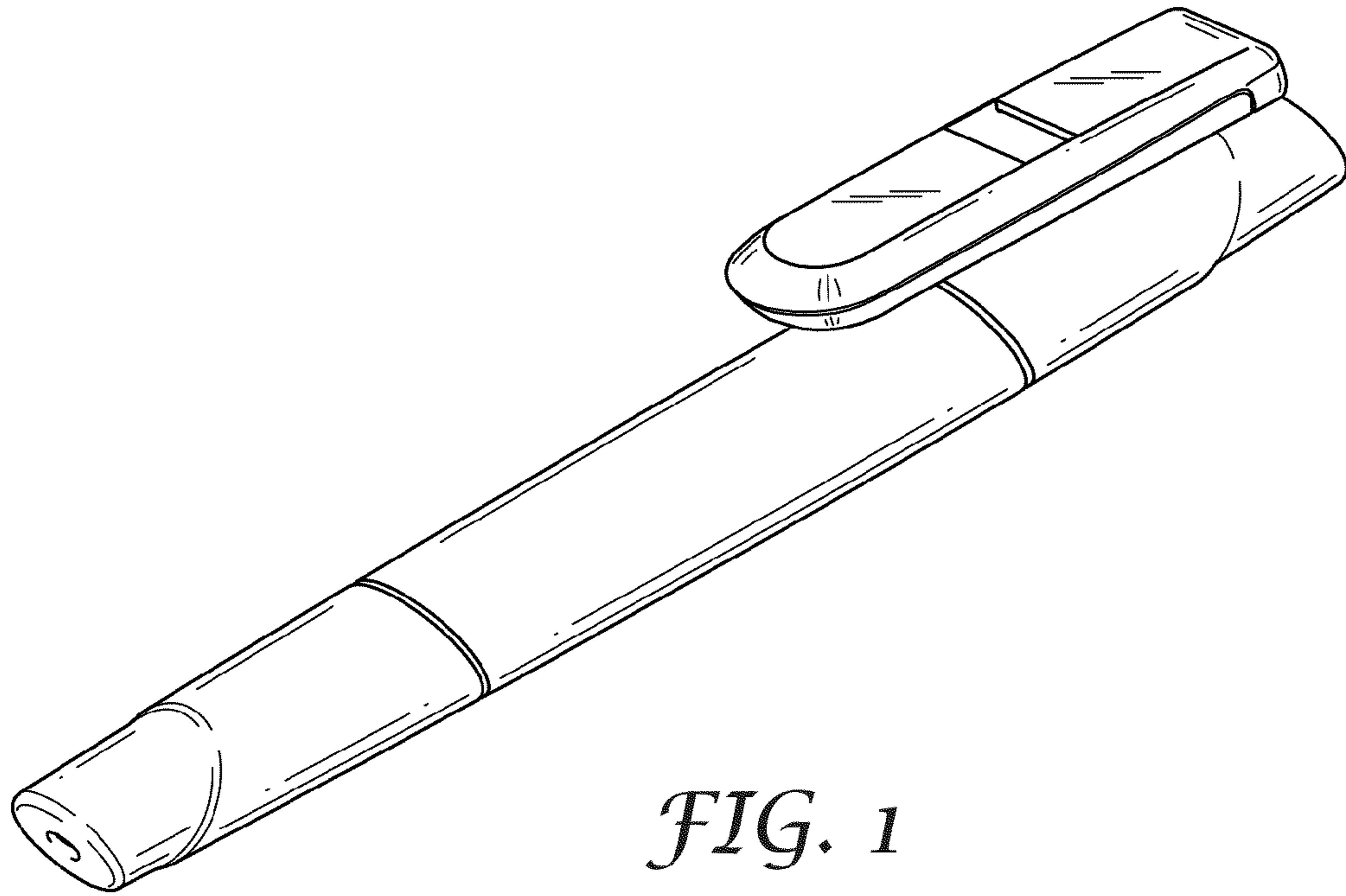


FIG. 1

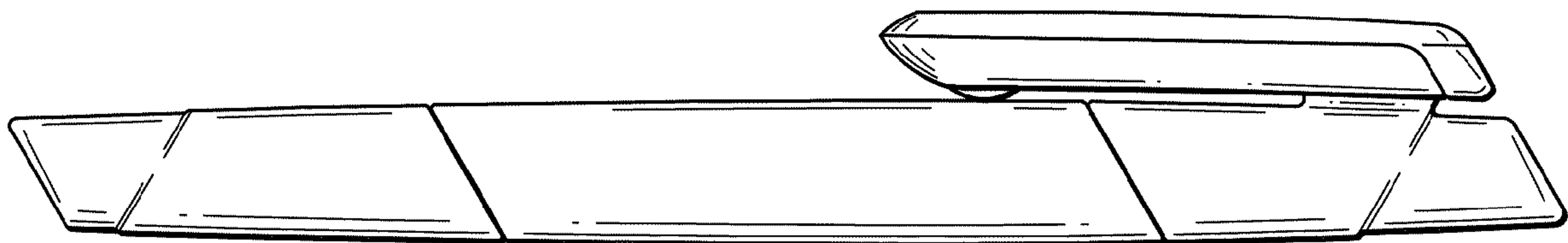


FIG. 2



FIG. 3

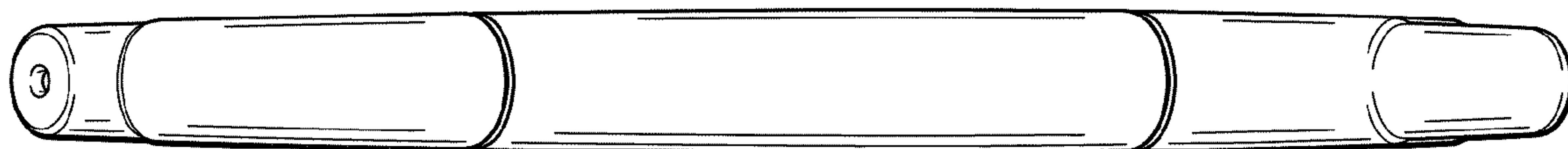


FIG. 4

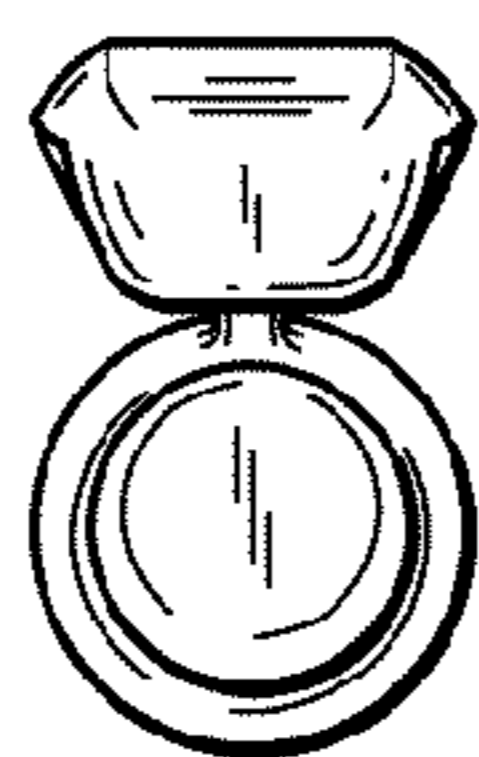


FIG. 5

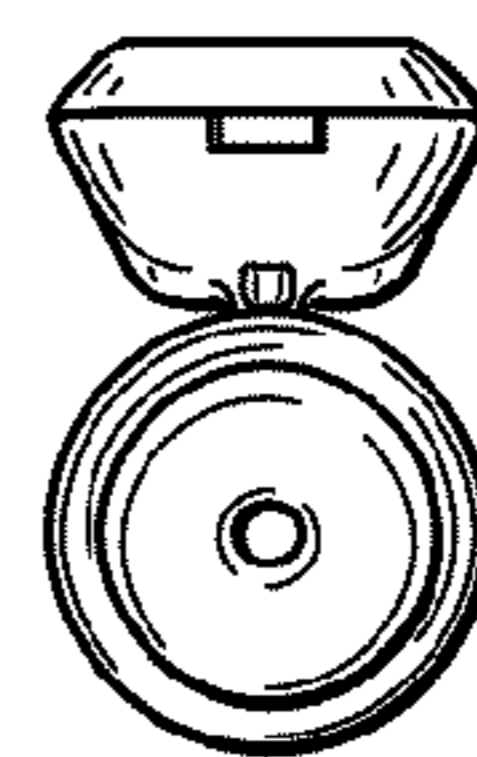


FIG. 6