



US00D612883S

(12) **United States Design Patent**
Yamakawa

(10) **Patent No.:** **US D612,883 S**
(45) **Date of Patent:** **** Mar. 30, 2010**

(54) **SURVEILLANCE CAMERA**

D584,756 S * 1/2009 Yamakawa D16/203

(75) Inventor: **Yasuki Yamakawa**, Kanagawa (JP)

FOREIGN PATENT DOCUMENTS

(73) Assignee: **Panasonic Corporation**, Osaka (JP)

JP	D1142211	5/2002
JP	D1221067	10/2004
JP	D1222623	11/2004

(**) Term: **14 Years**

* cited by examiner

(21) Appl. No.: **29/342,075**

Primary Examiner—Adir Aronovich

(22) Filed: **Aug. 18, 2009**

(74) *Attorney, Agent, or Firm*—Brinks Hofer Gilson & Lione

(30) **Foreign Application Priority Data**

(57) **CLAIM**

Feb. 27, 2009 (JP) 2009-004281

I claim the ornamental design for a surveillance camera, as shown and described.

(51) **LOC (9) Cl.** **16-01**

(52) **U.S. Cl.** **D16/203**

(58) **Field of Classification Search** D16/200,
D16/202, 203, 208, 218, 219; 348/143, 151,
348/373-376; 358/906; 396/427, 535-541
See application file for complete search history.

DESCRIPTION

FIG. 1 is a front and left side perspective view of a surveillance camera of the present invention;
FIG. 2 is a front elevational view thereof;
FIG. 3 is a rear elevational view thereof;
FIG. 4 is a left side elevational view thereof, the undisclosed right view being a mirror image thereof;
FIG. 5 is a top plan view thereof; and,
FIG. 6 is a top bottom plan view thereof.

(56) **References Cited**

U.S. PATENT DOCUMENTS

D449,630 S *	10/2001	Rak et al.	D16/203
6,678,001 B1 *	1/2004	Elberbaum	348/373
6,715,940 B2 *	4/2004	Top et al.	396/427
D494,992 S *	8/2004	Seo	D16/203
D497,927 S *	11/2004	Arbuckle et al.	D16/203
D513,028 S *	12/2005	Maruyama	D16/203
D556,236 S *	11/2007	Kim	D16/203
D558,248 S *	12/2007	Togawa et al.	D16/203

The broken line showing of surveillance camera is included for the purpose of illustrating environment and forms no part of the claimed design.

1 Claim, 6 Drawing Sheets

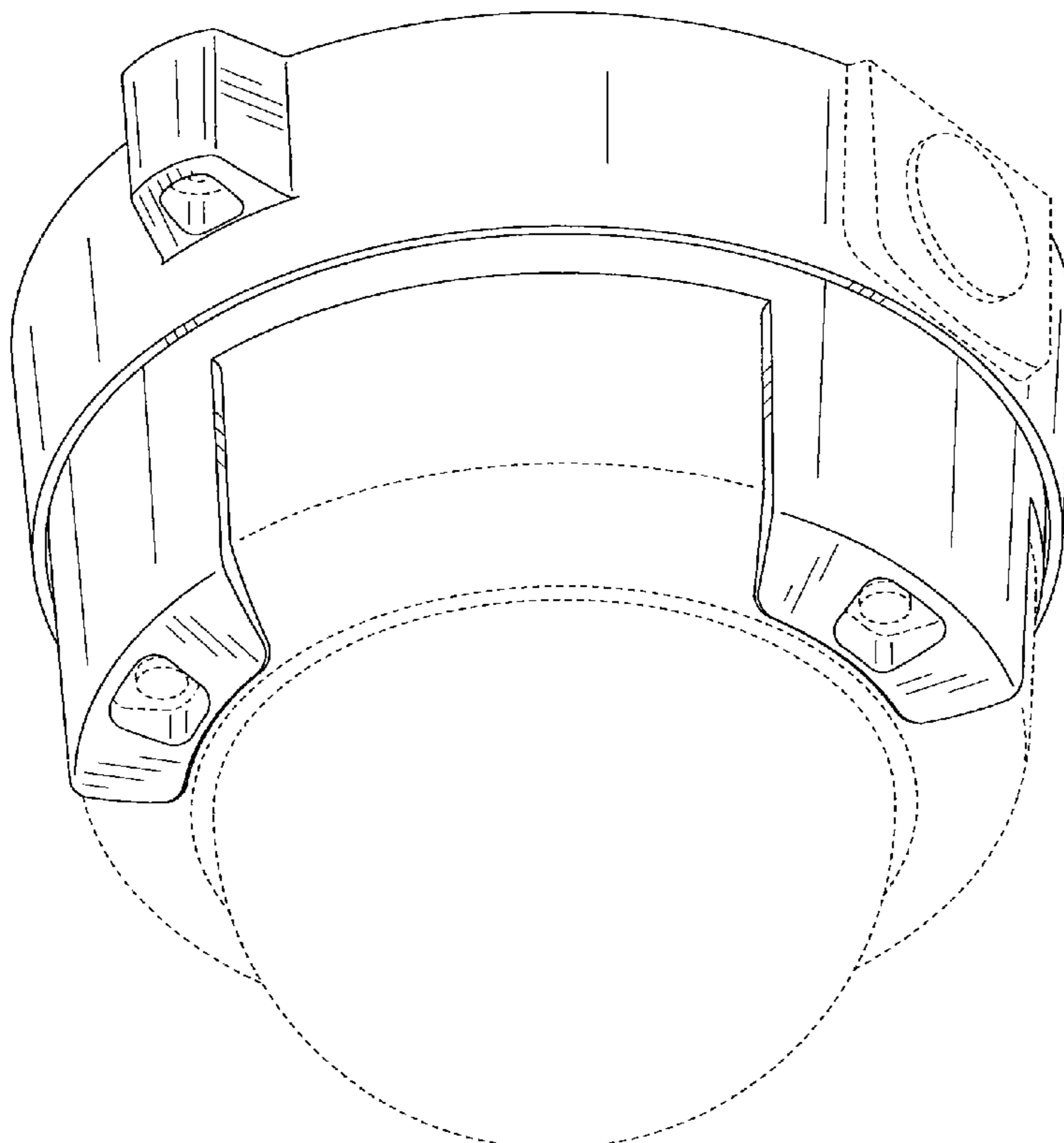


FIG.1

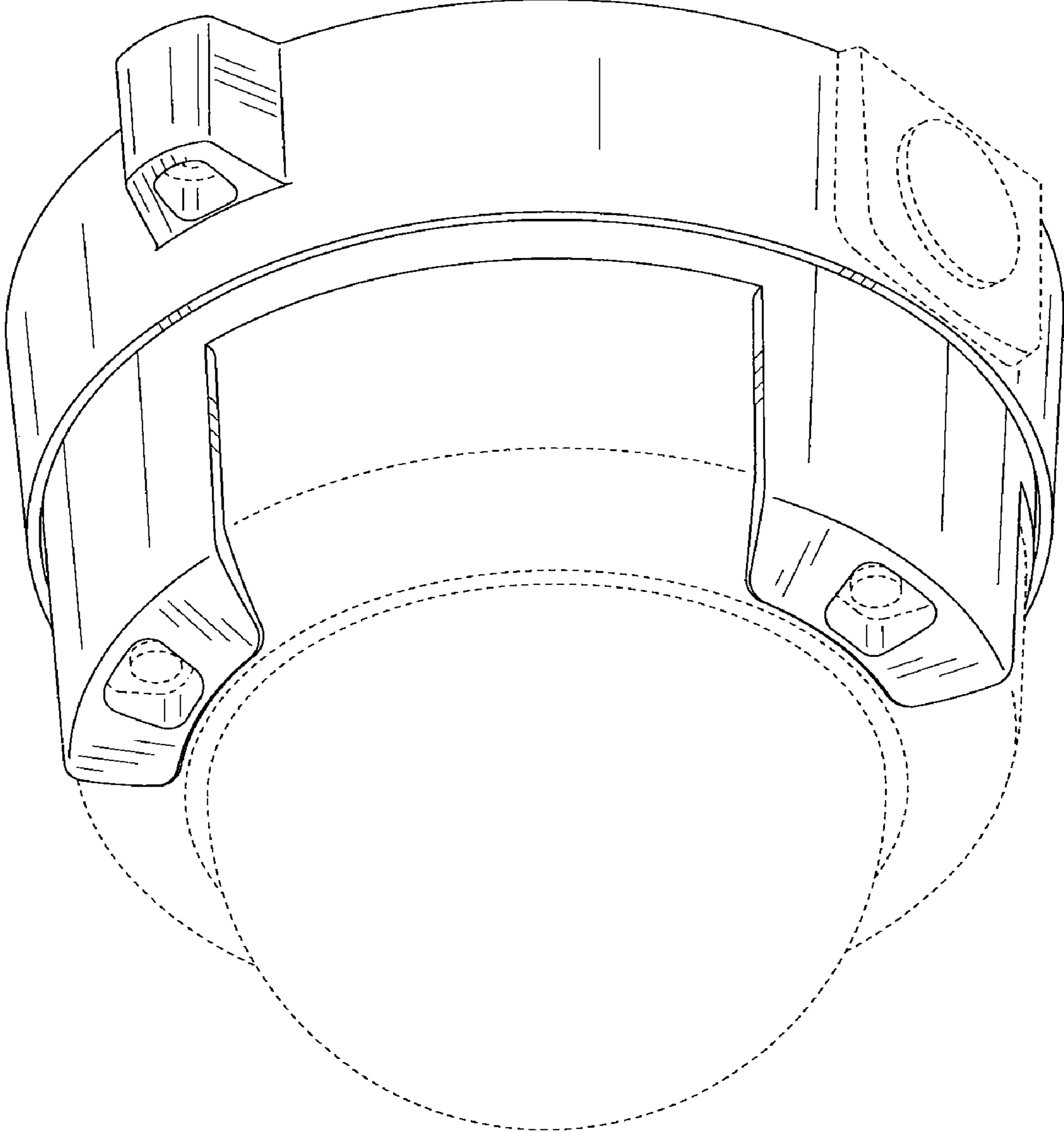


FIG.2

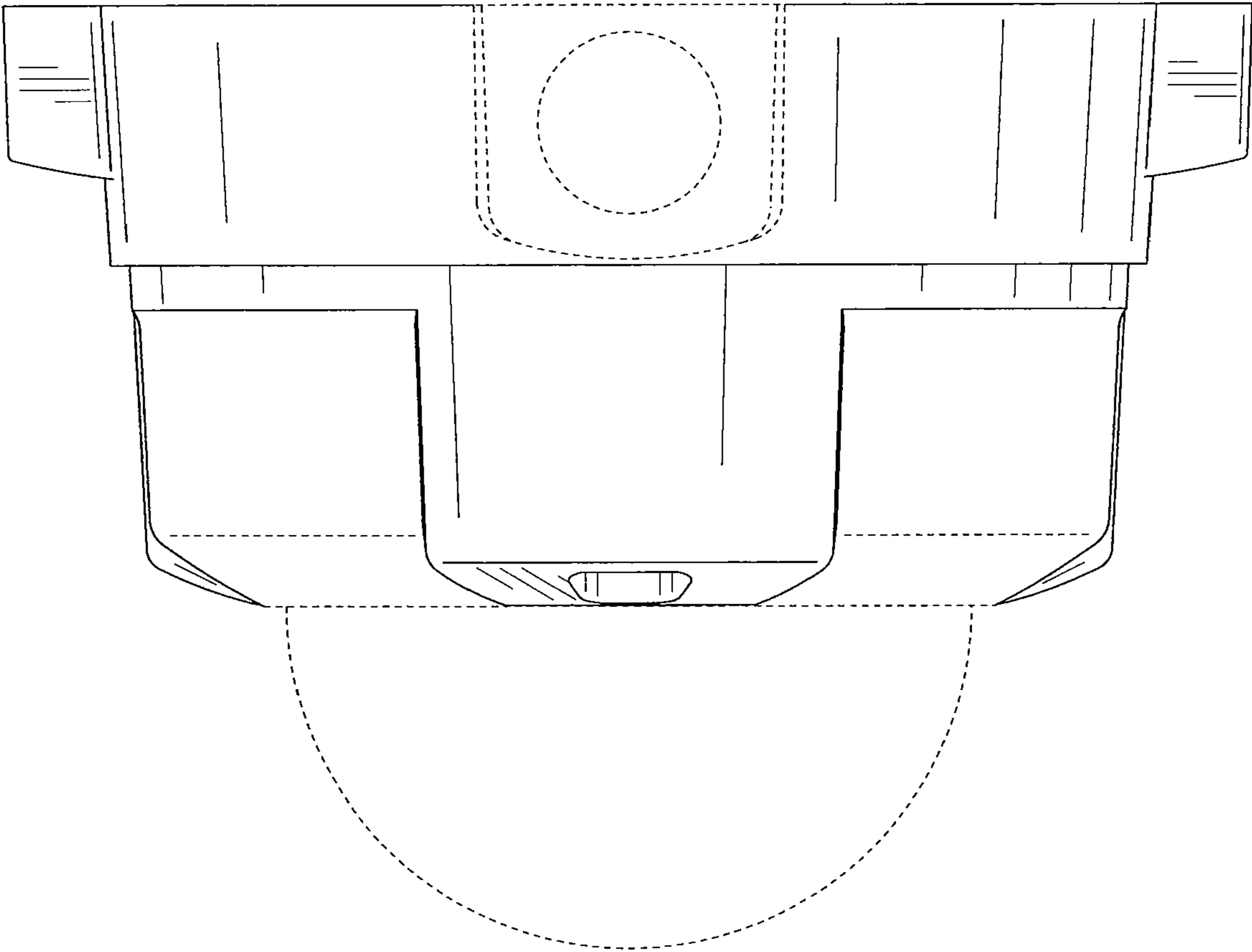


FIG.3

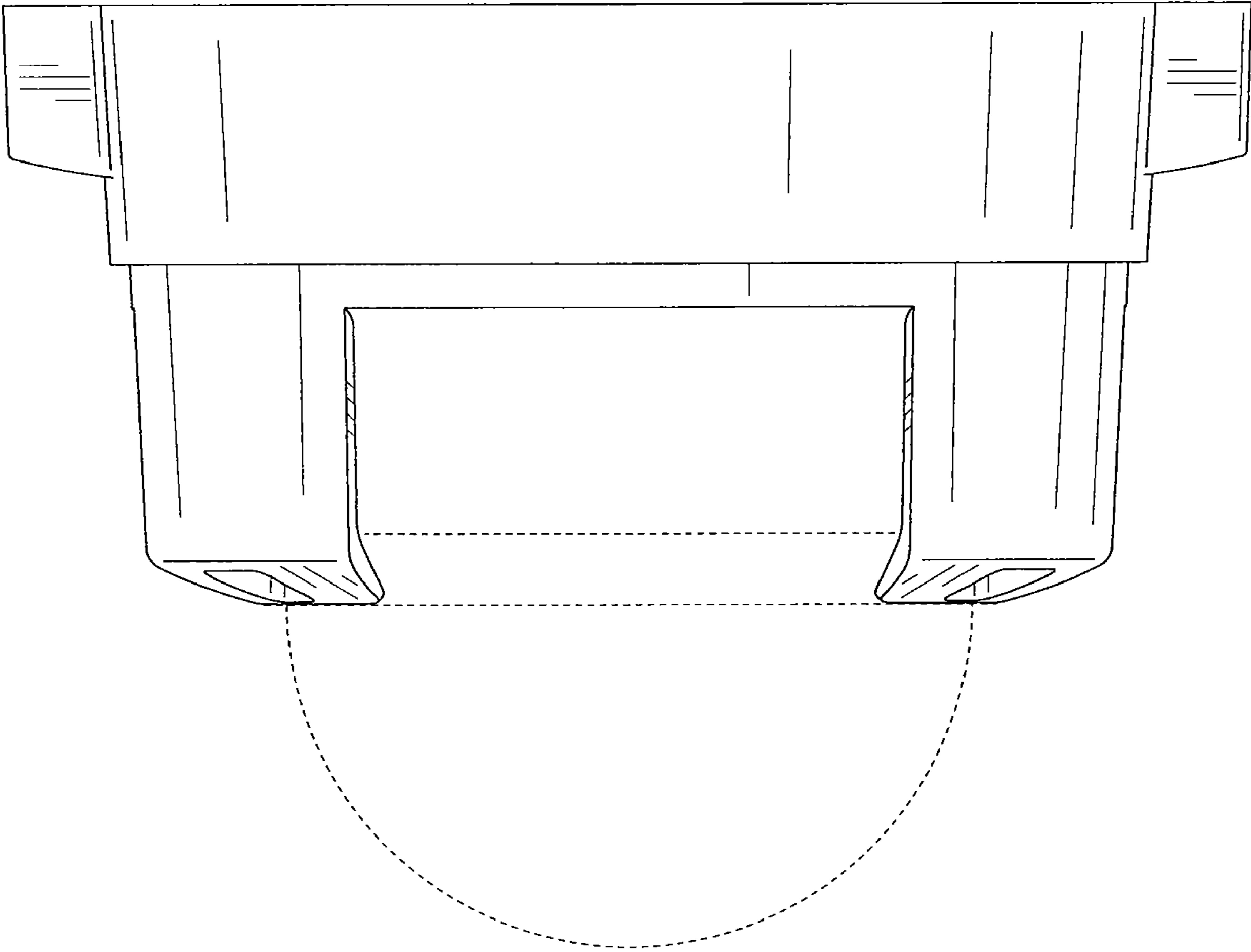


FIG.4

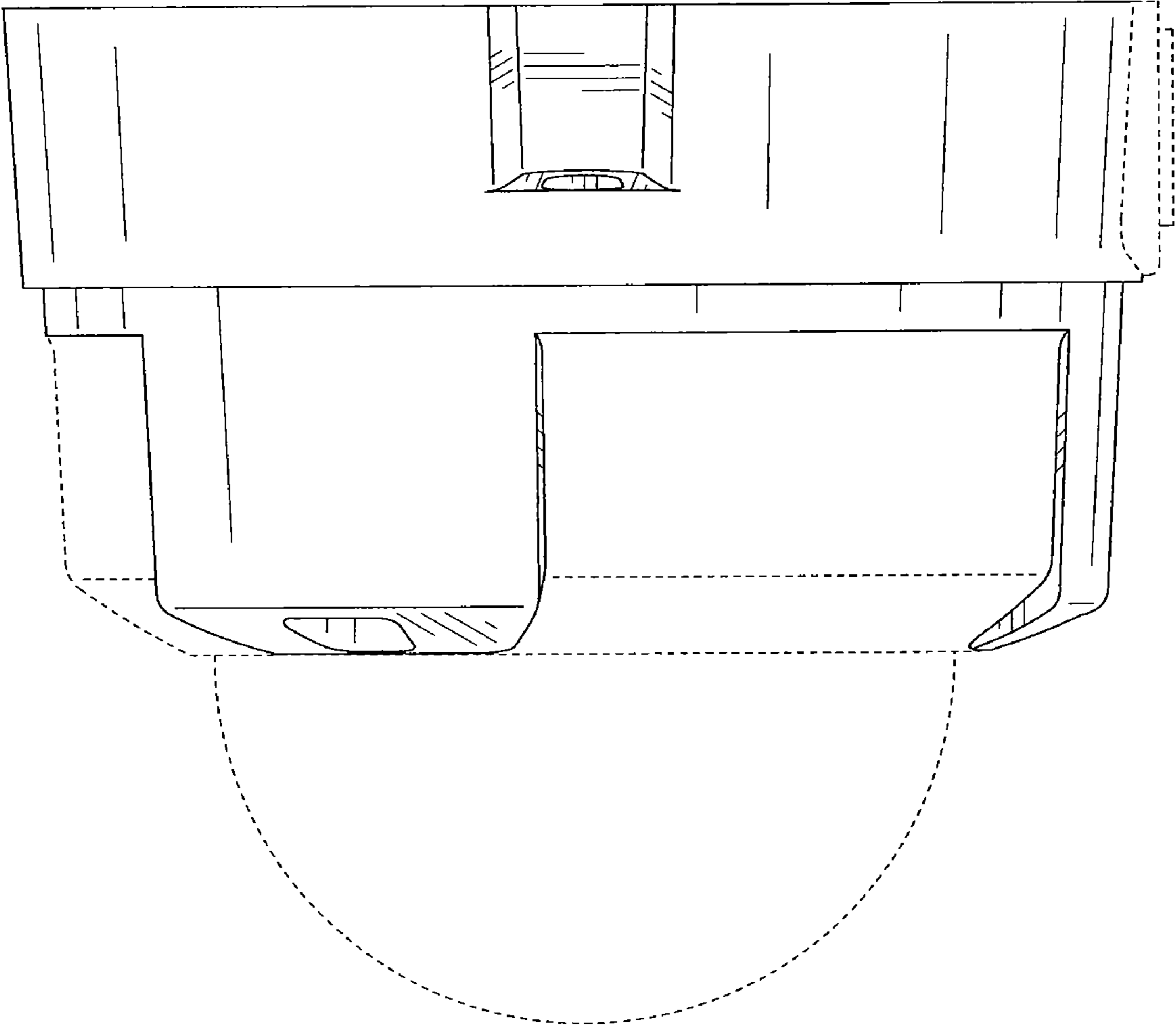


FIG.5

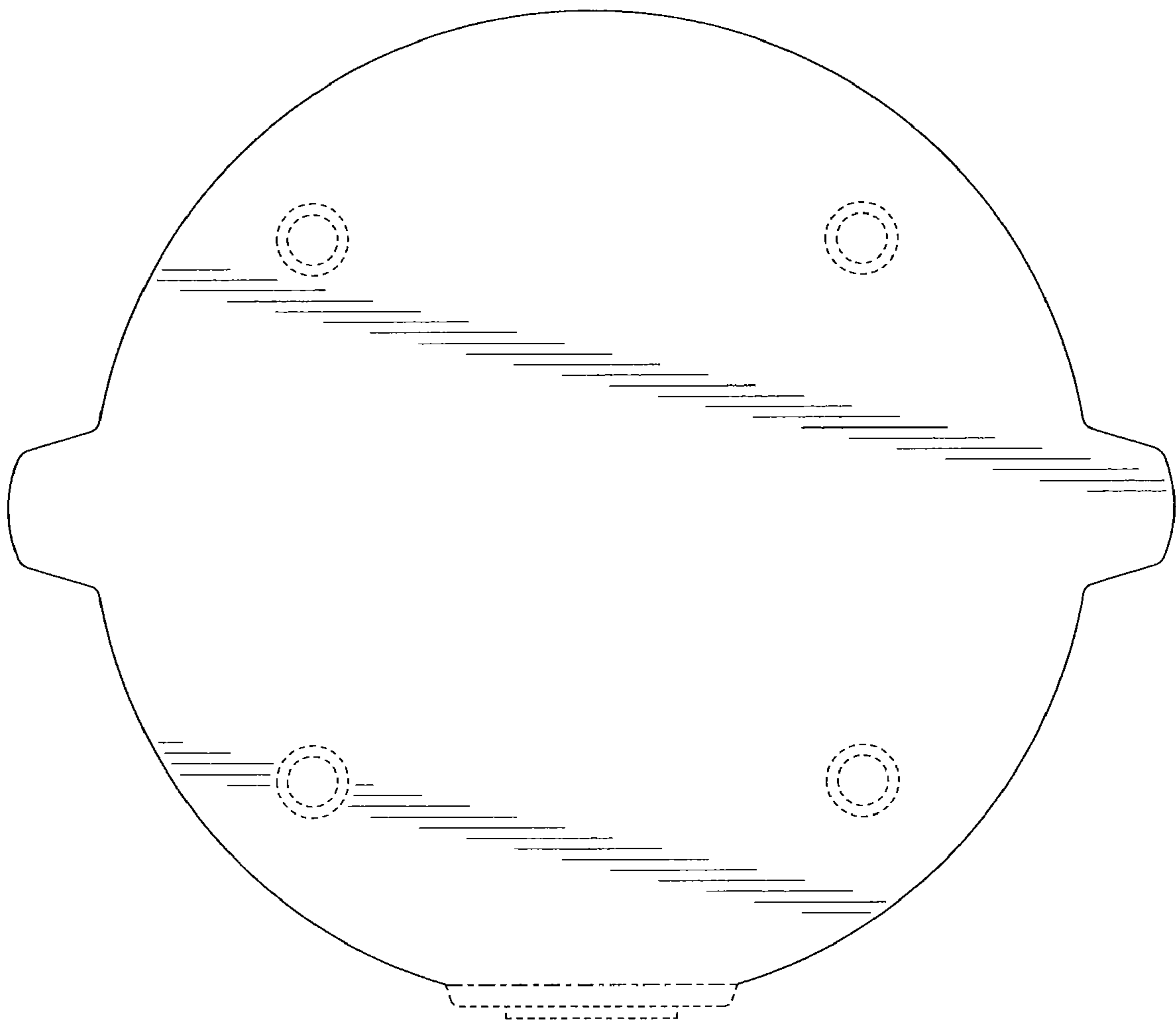


FIG.6

