



US00D612881S

(12) **United States Design Patent**
Narita et al.

(10) **Patent No.:** **US D612,881 S**
(45) **Date of Patent:** **** Mar. 30, 2010**

(54) **VIDEO CAMERA WITH MEMORY CARD RECORDER**

(75) Inventors: **Tatsuya Narita**, Yokohama (JP); **Shuji Tanifuji**, Yokohama (JP)

(73) Assignee: **Victor Company of Japan, Limited**, Kanagawa (JP)

(**) Term: **14 Years**

(21) Appl. No.: **29/315,406**

(22) Filed: **Jun. 23, 2009**

(30) **Foreign Application Priority Data**

Dec. 25, 2008 (JP) 2008-032914

(51) **LOC (9) Cl.** **16-01**

(52) **U.S. Cl.** **D16/202**

(58) **Field of Classification Search** D16/200–205, D16/208, 218; 348/373–376; 358/906; 396/535–541
See application file for complete search history.

(56) **References Cited**

U.S. PATENT DOCUMENTS

D418,853 S *	1/2000	Kubota	D16/202
6,683,654 B1 *	1/2004	Haijima	348/374
D509,234 S *	9/2005	Muto et al.	D16/203
D521,041 S *	5/2006	Chung et al.	D16/202
D563,450 S *	3/2008	Cheng	D16/203

D584,755 S *	1/2009	Ericksson	D16/202
D588,176 S *	3/2009	Tanifuji et al.	D16/202
D593,589 S *	6/2009	Tanifuji	D16/202
D598,940 S *	8/2009	Mihara et al.	D16/202
2007/0126925 A1 *	6/2007	Masuda et al.	348/375

* cited by examiner

Primary Examiner—Adir Aronovich

(74) *Attorney, Agent, or Firm*—Osha • Liang LLP

(57) **CLAIM**

The ornamental design for a video camera with memory card recorder, as shown and described.

DESCRIPTION

FIG. 1 is a perspective view of the front, right and top of a video camera with memory card recorder showing our new design;

FIG. 2 is a front elevational view thereof;

FIG. 3 is a rear elevational view thereof;

FIG. 4 is a top plan view thereof;

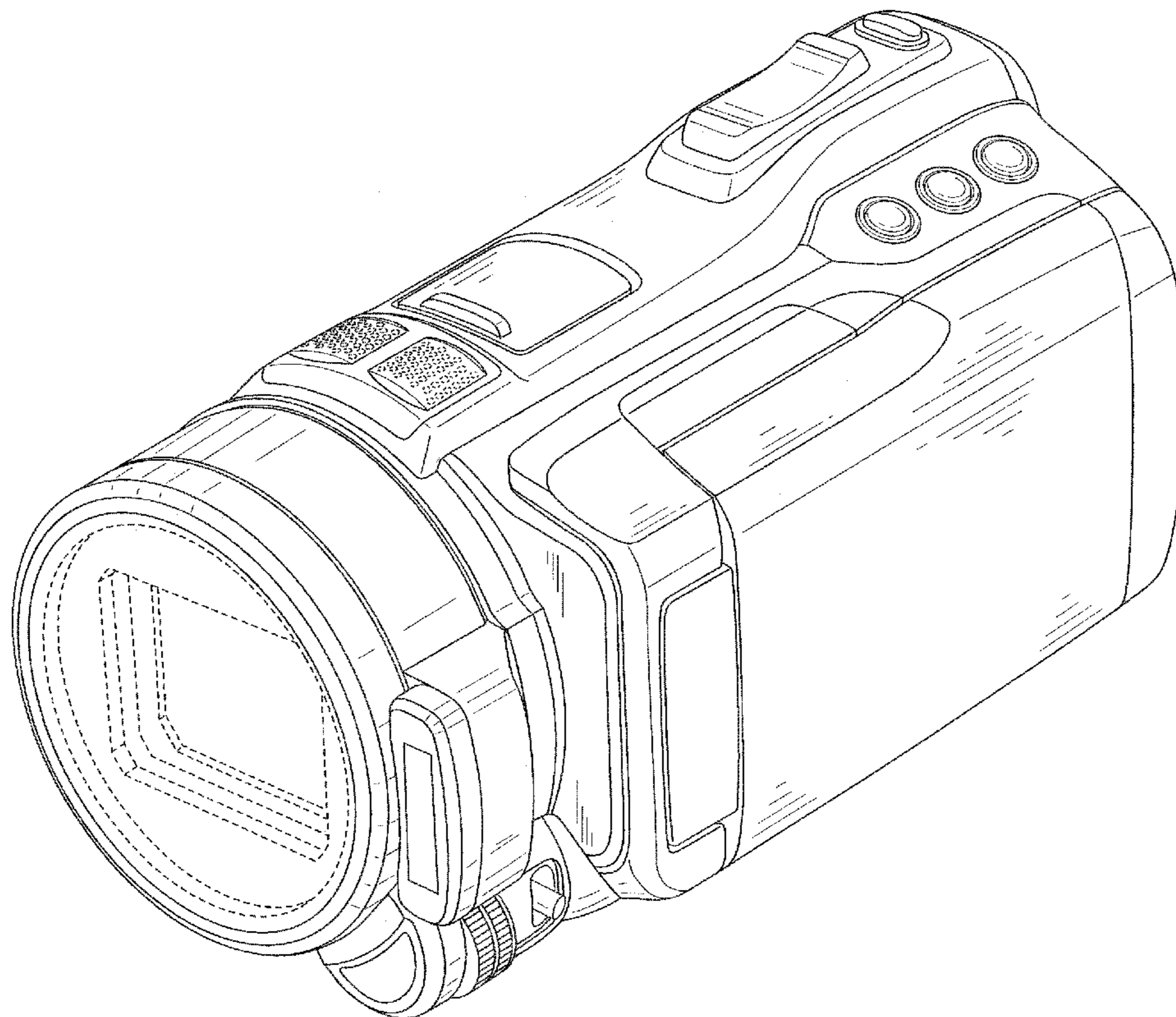
FIG. 5 is a bottom view thereof;

FIG. 6 is a right side elevational view thereof; and,

FIG. 7 is a left side elevational view thereof.

The elements shown in broken lines are for illustrative purposes only and form no part of the claimed design.

1 Claim, 7 Drawing Sheets



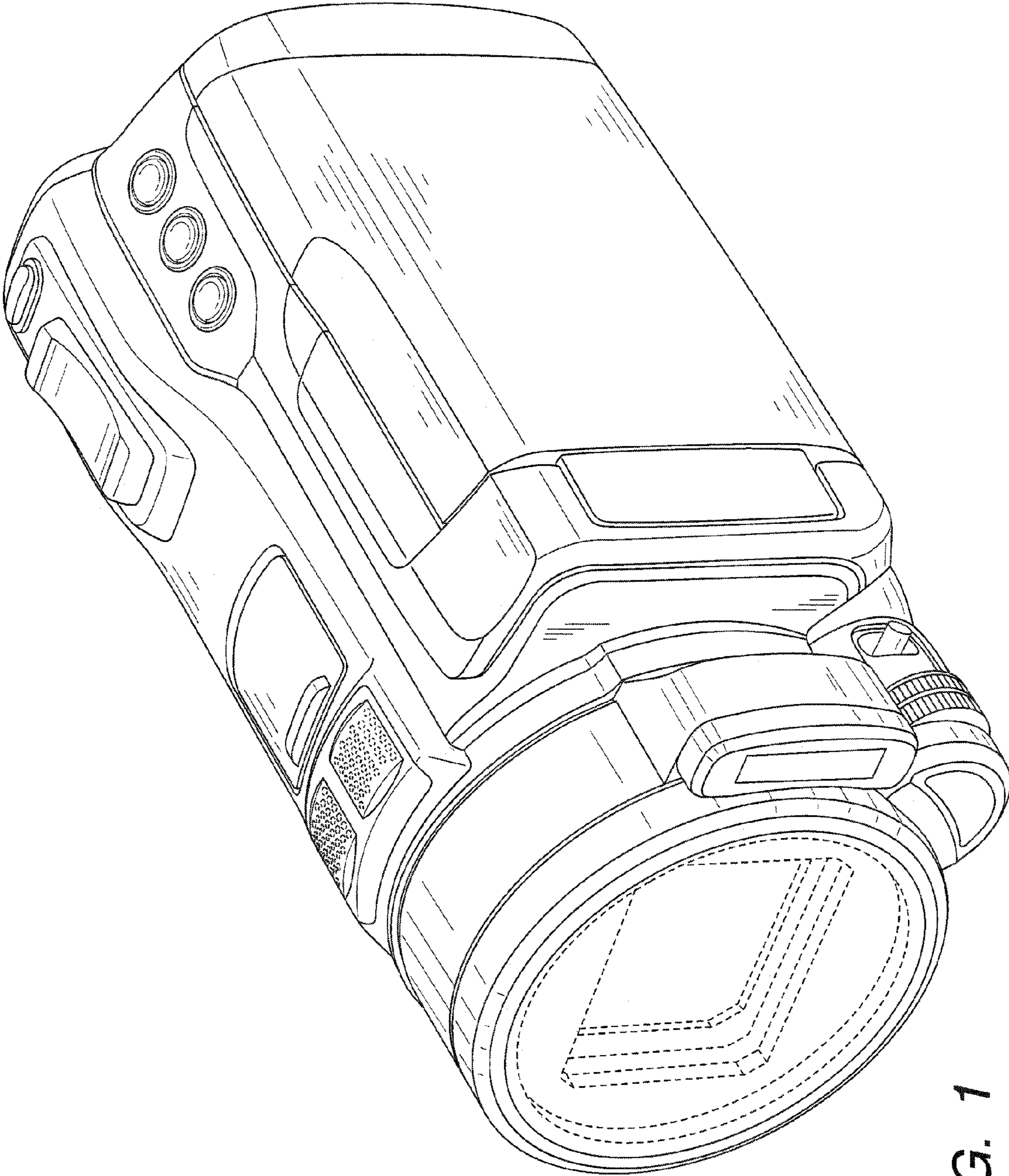


FIG. 1

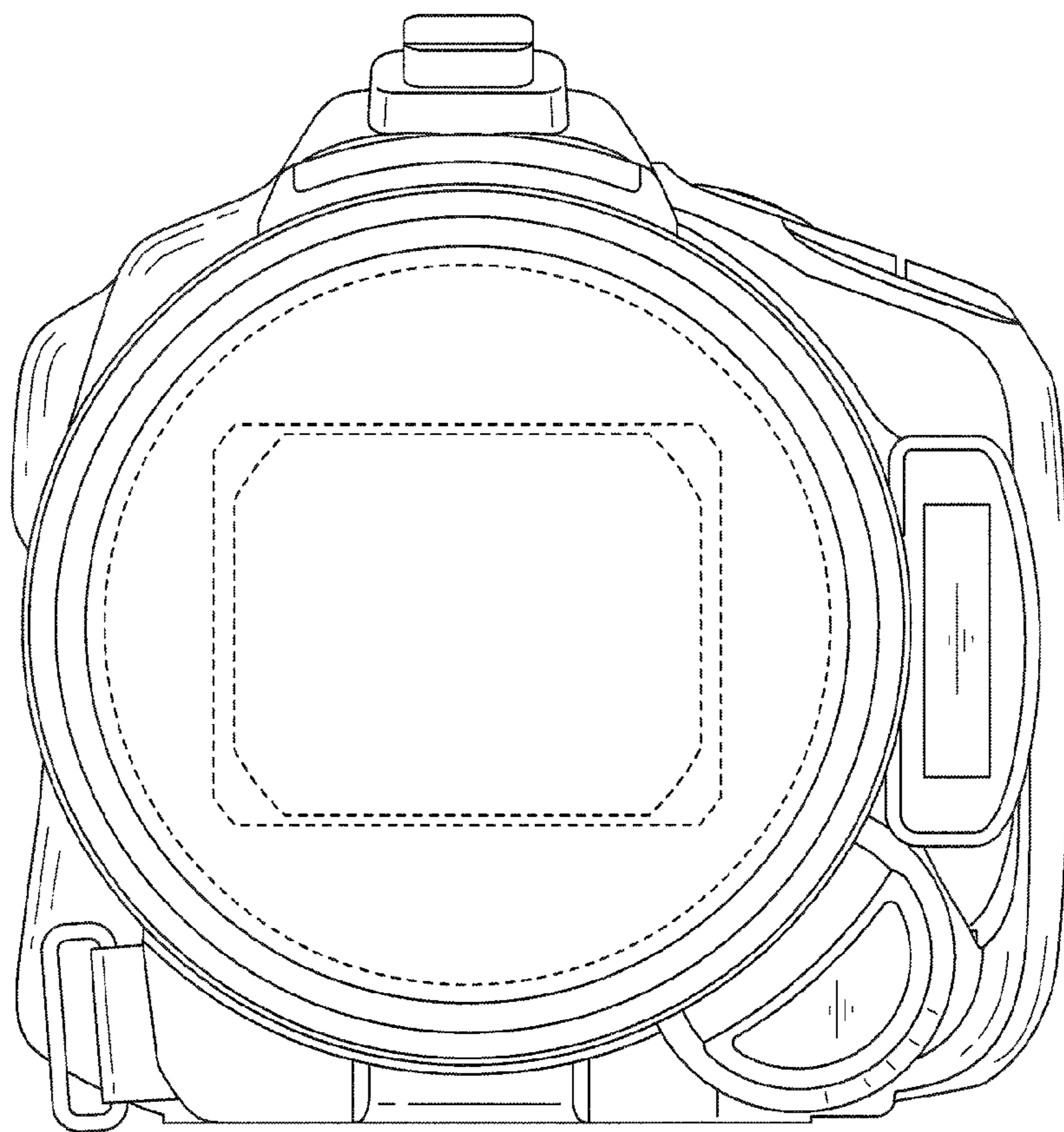


FIG. 2

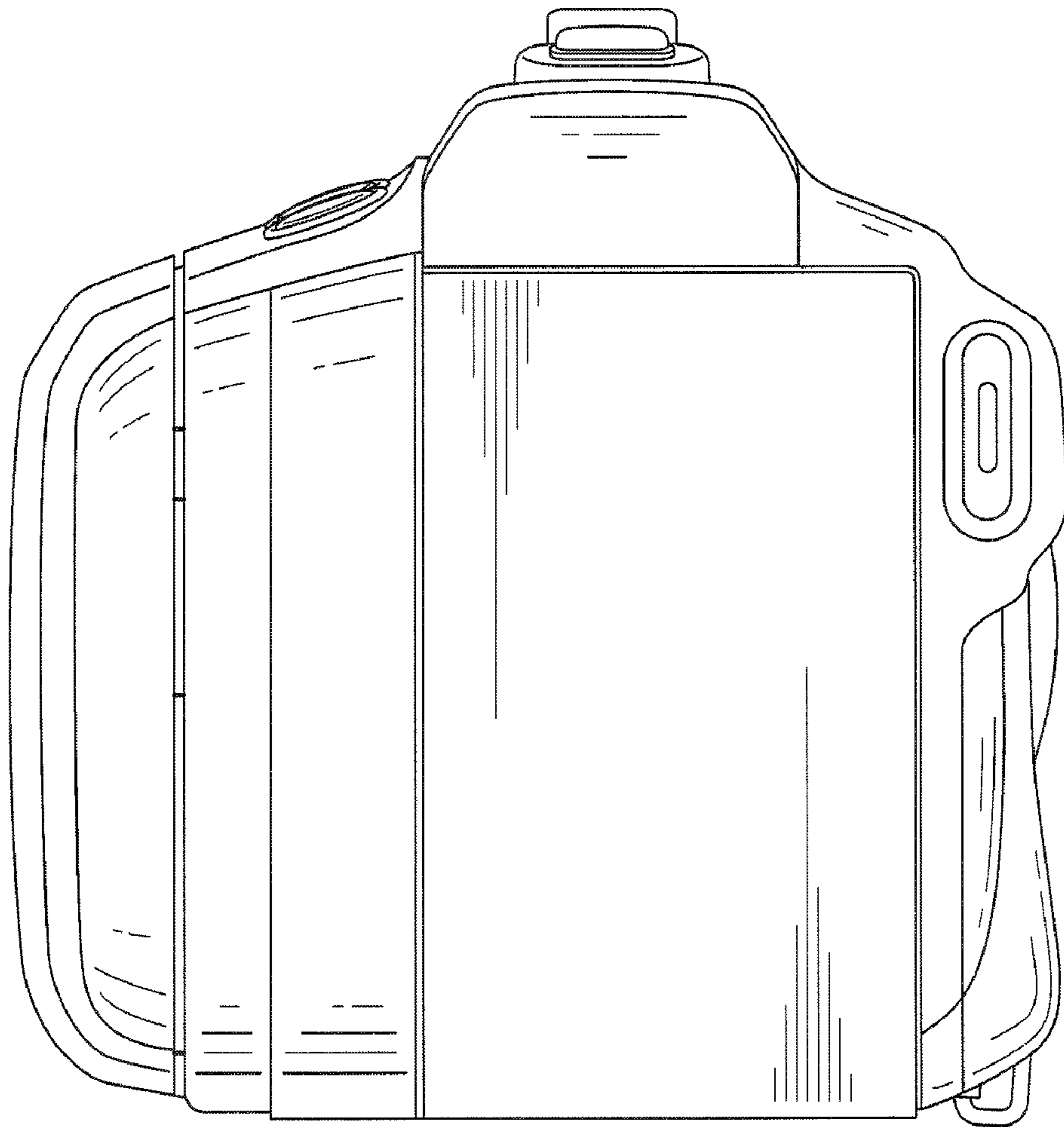


FIG. 3

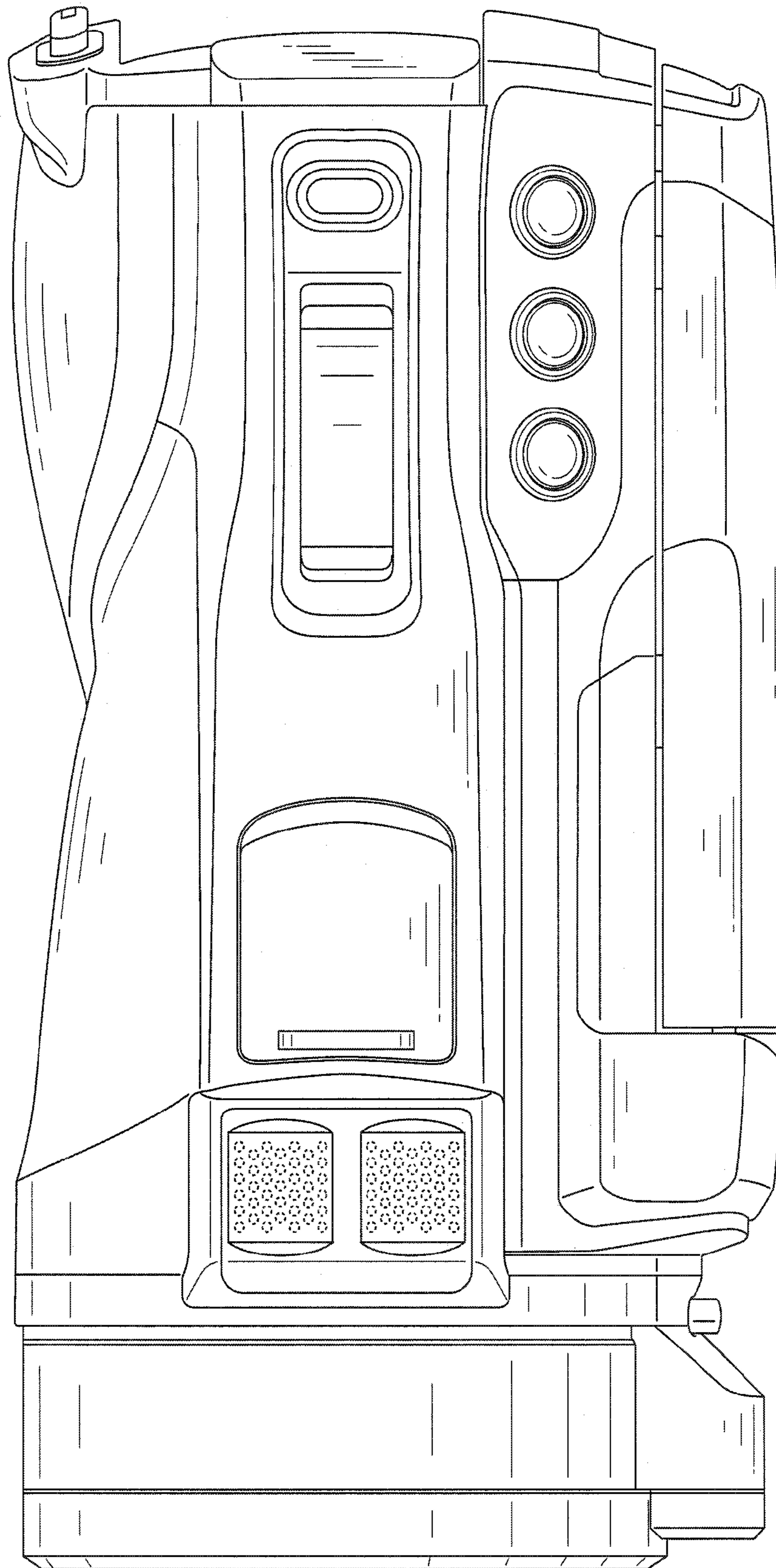


FIG. 4

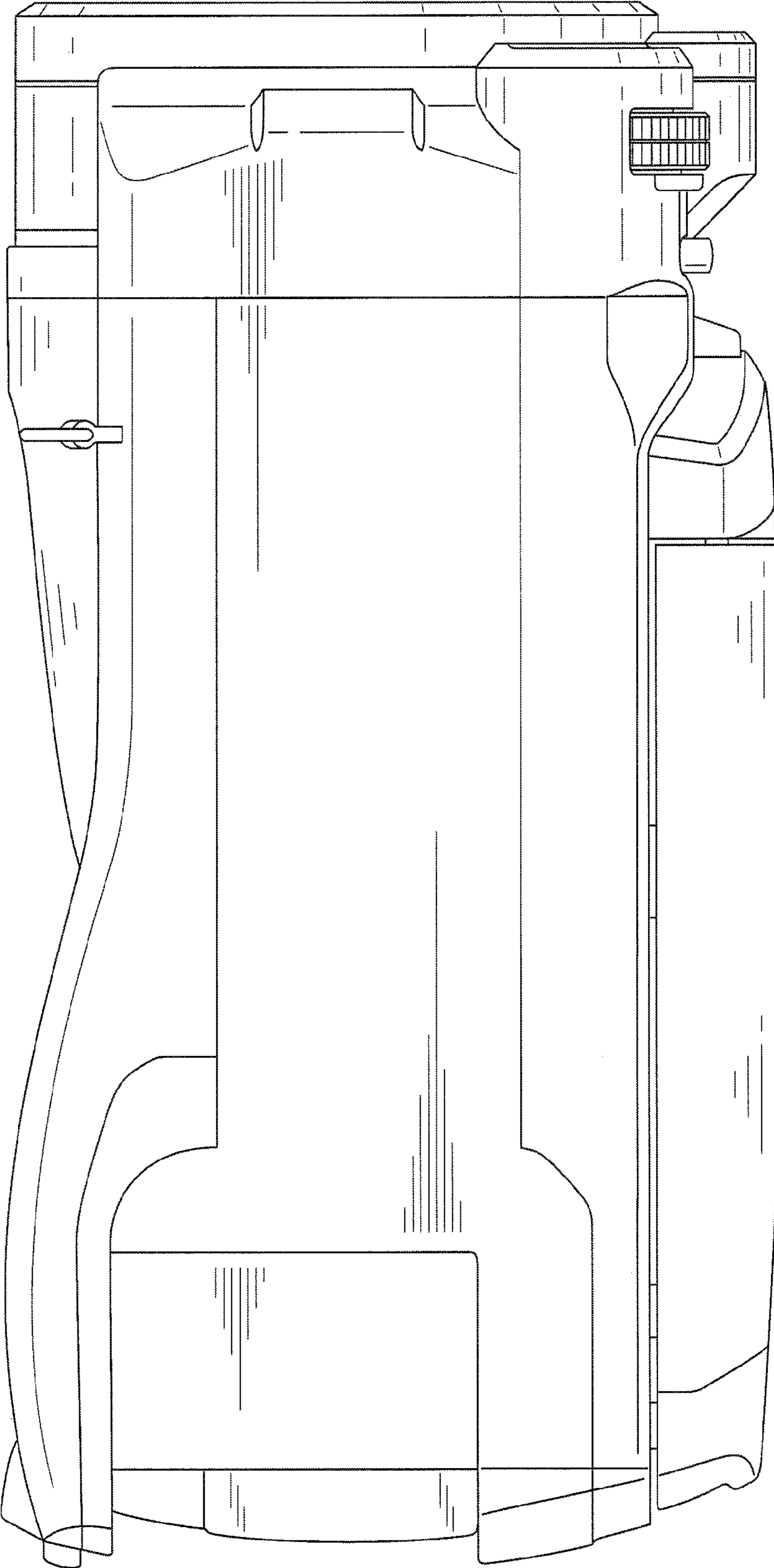


FIG. 5

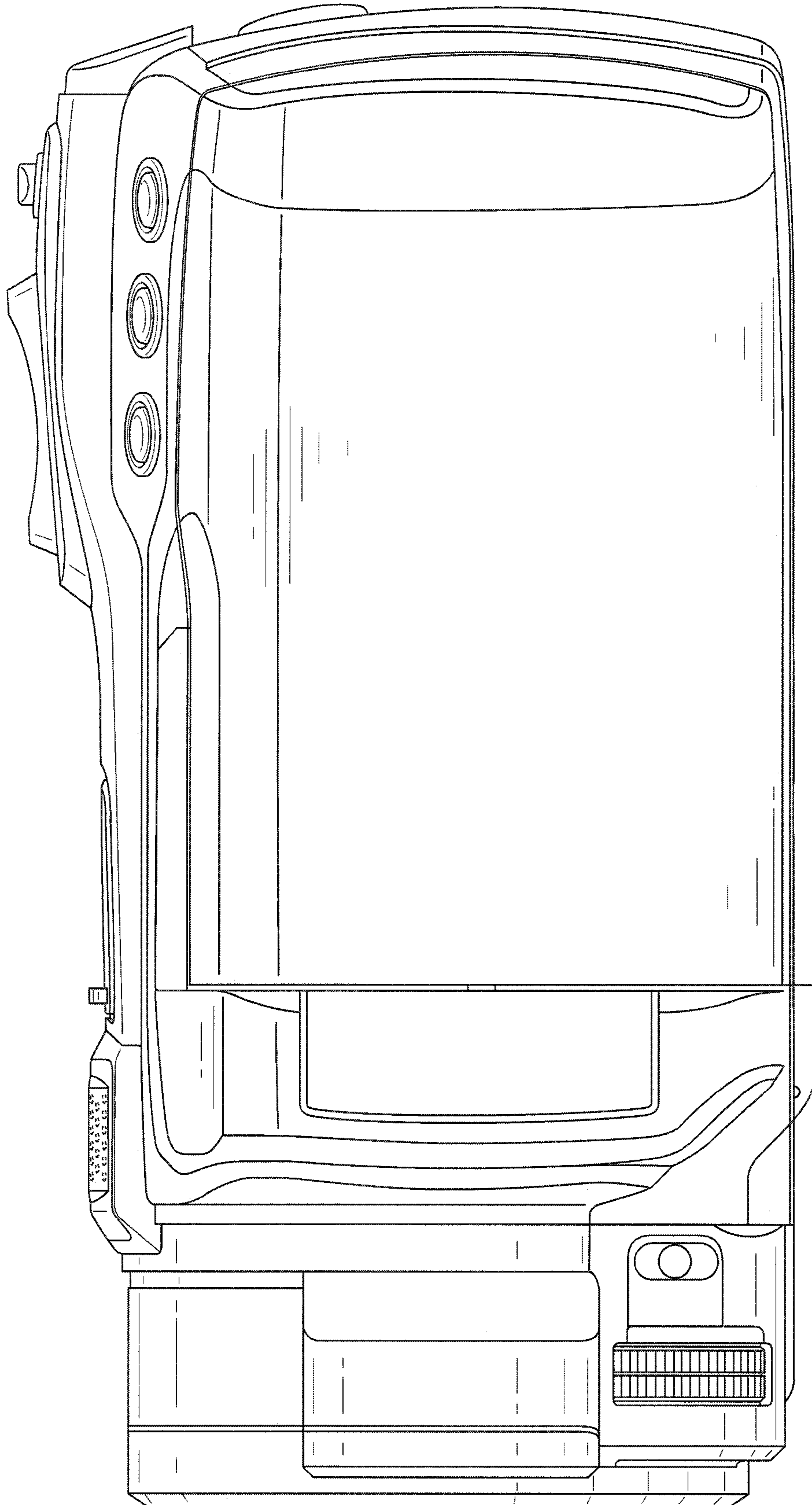


FIG. 6

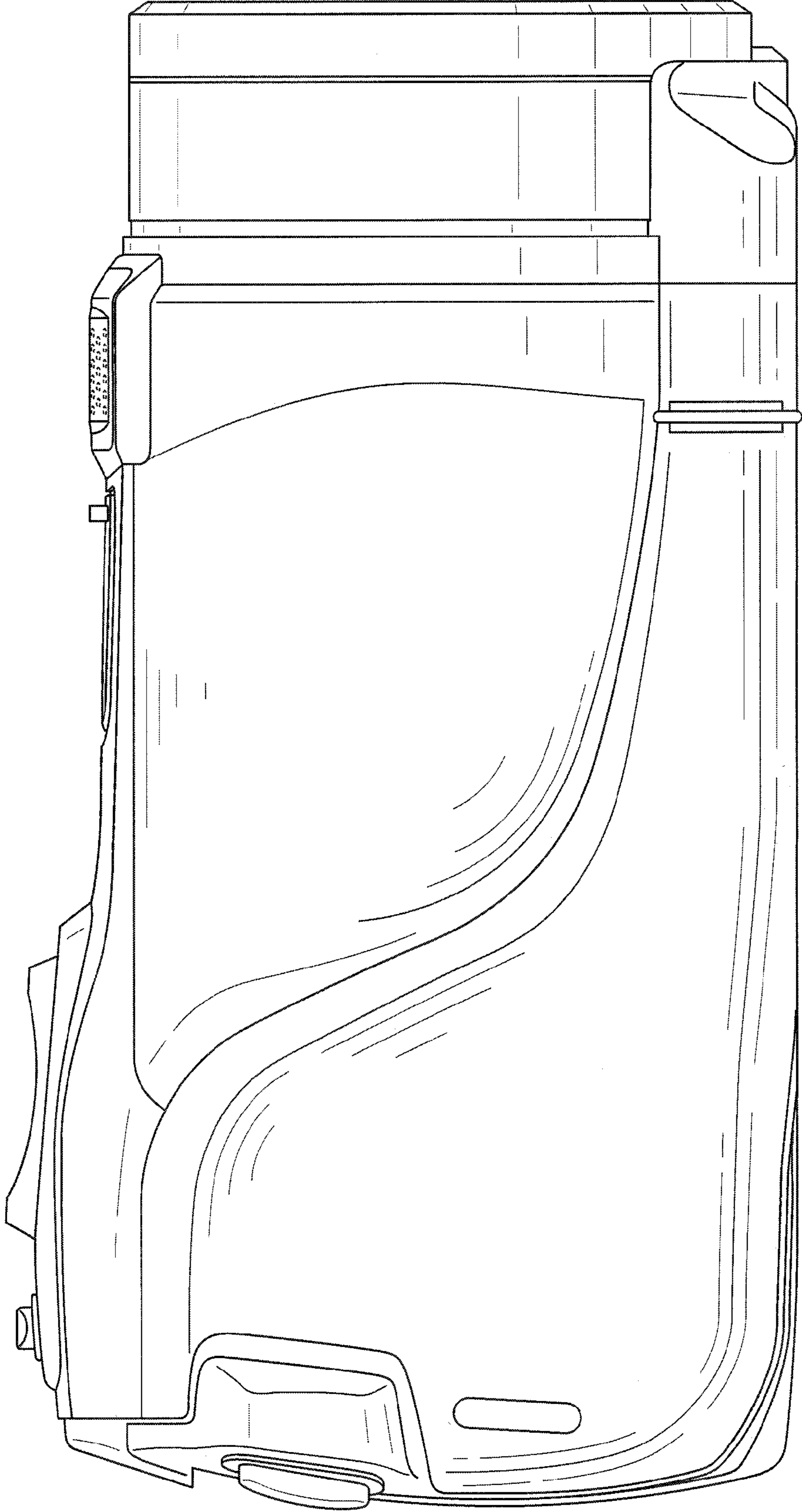


FIG. 7