



US00D612877S

(12) **United States Design Patent**
Noguchi

(10) **Patent No.:** **US D612,877 S**
(45) **Date of Patent:** **** Mar. 30, 2010**

(54) **MULTIPOSITION CYLINDER**

(75) Inventor: **Kazuhiro Noguchi**, Tsukubamirai (JP)

(73) Assignee: **SMC Corporation**, Chiyoda-ku, Tokyo (JP)

(**) Term: **14 Years**

(21) Appl. No.: **29/310,777**

(22) Filed: **Sep. 9, 2008**

(30) **Foreign Application Priority Data**

Apr. 18, 2008 (JP) 2008-010121

(51) **LOC (9) Cl.** **15-09**

(52) **U.S. Cl.** **D15/143; D15/5**

(58) **Field of Classification Search** D15/1-5,
D15/7-9, 143, 148; 91/275, 277, 394-395,
91/407-408; 92/5 L, 13, 13.5, 15-17, 28,
92/21 MR, 68, 88, 151-152, 169.2, 169.3,
92/128, 137, 143, 165 PR, 168, 146, 161;
417/397, 403-404, 437, 460

See application file for complete search history.

(56) **References Cited**

U.S. PATENT DOCUMENTS

D374,240 S * 10/1996 Nagasawa D15/143
D378,214 S * 2/1997 Ikumi D15/7
D378,680 S * 4/1997 Ikumi D15/7
D417,457 S * 12/1999 Asahara D15/7
D420,683 S * 2/2000 Suzuki D15/7

D428,617 S * 7/2000 Hariwara D15/7
6,148,714 A * 11/2000 Abe et al. 92/88
D457,892 S * 5/2002 Asou et al. D15/5
D542,682 S * 5/2007 Waki D15/143
D561,207 S * 2/2008 Yaegashi D15/143

* cited by examiner

Primary Examiner—Ian Simmons

Assistant Examiner—Wan Laymon

(74) *Attorney, Agent, or Firm*—Yokoi & Co., U.S.A., Inc.;
Peter Ganjian

(57) **CLAIM**

The ornamental design for a multiposition cylinder, as shown and described.

DESCRIPTION

FIG. 1 shows a front view of a multiposition cylinder showing my new design;

FIG. 2 shows a rear view thereof;

FIG. 3 shows a right side view thereof;

FIG. 4 shows a left side view thereof;

FIG. 5 shows a top view thereof;

FIG. 6 shows a bottom view thereof;

FIG. 7 shows a top, front and left side perspective view thereof; and,

FIG. 8 shows a bottom, rear and right side perspective view thereof.

1 Claim, 8 Drawing Sheets

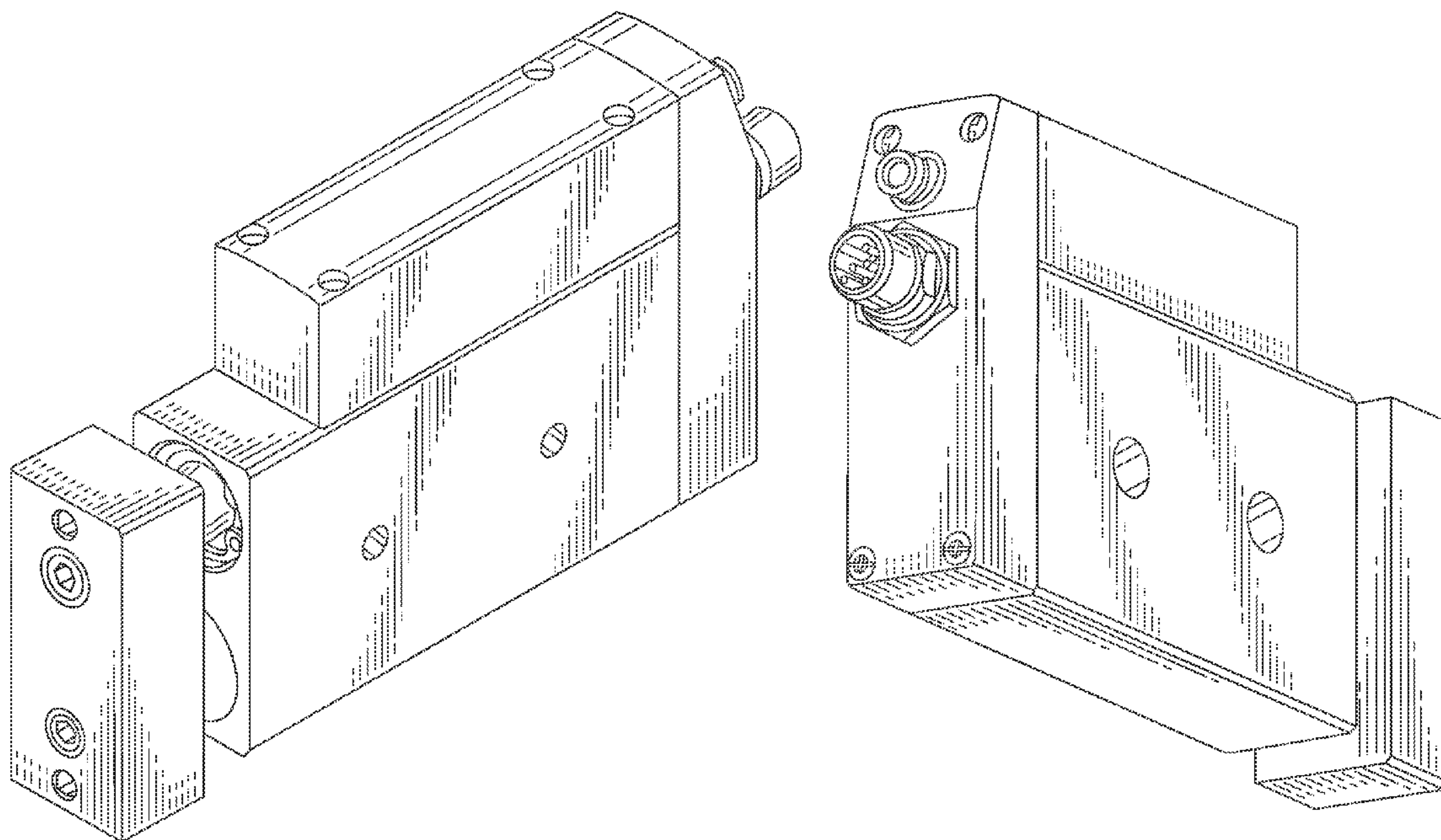


FIG. 1

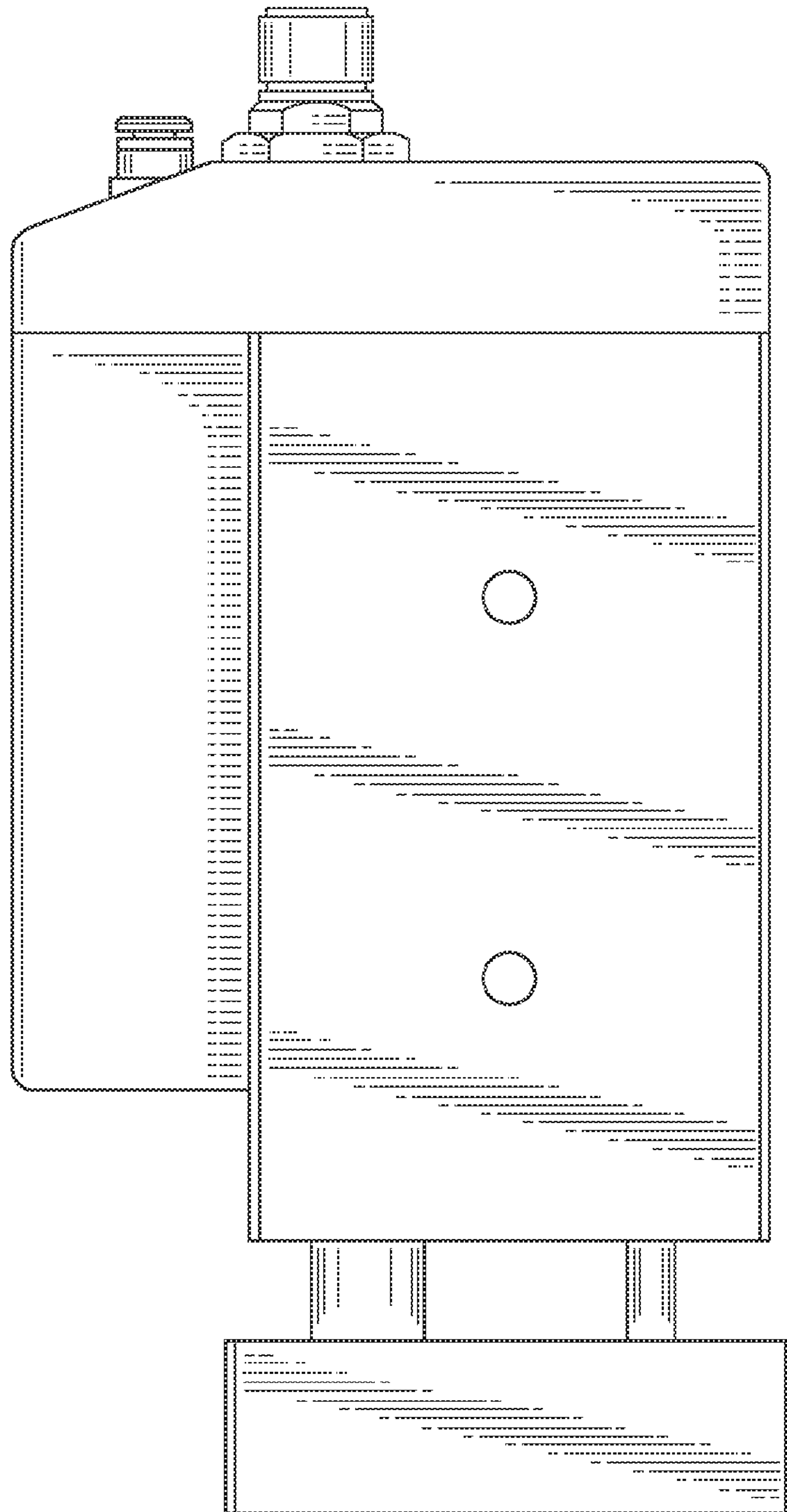


FIG. 2

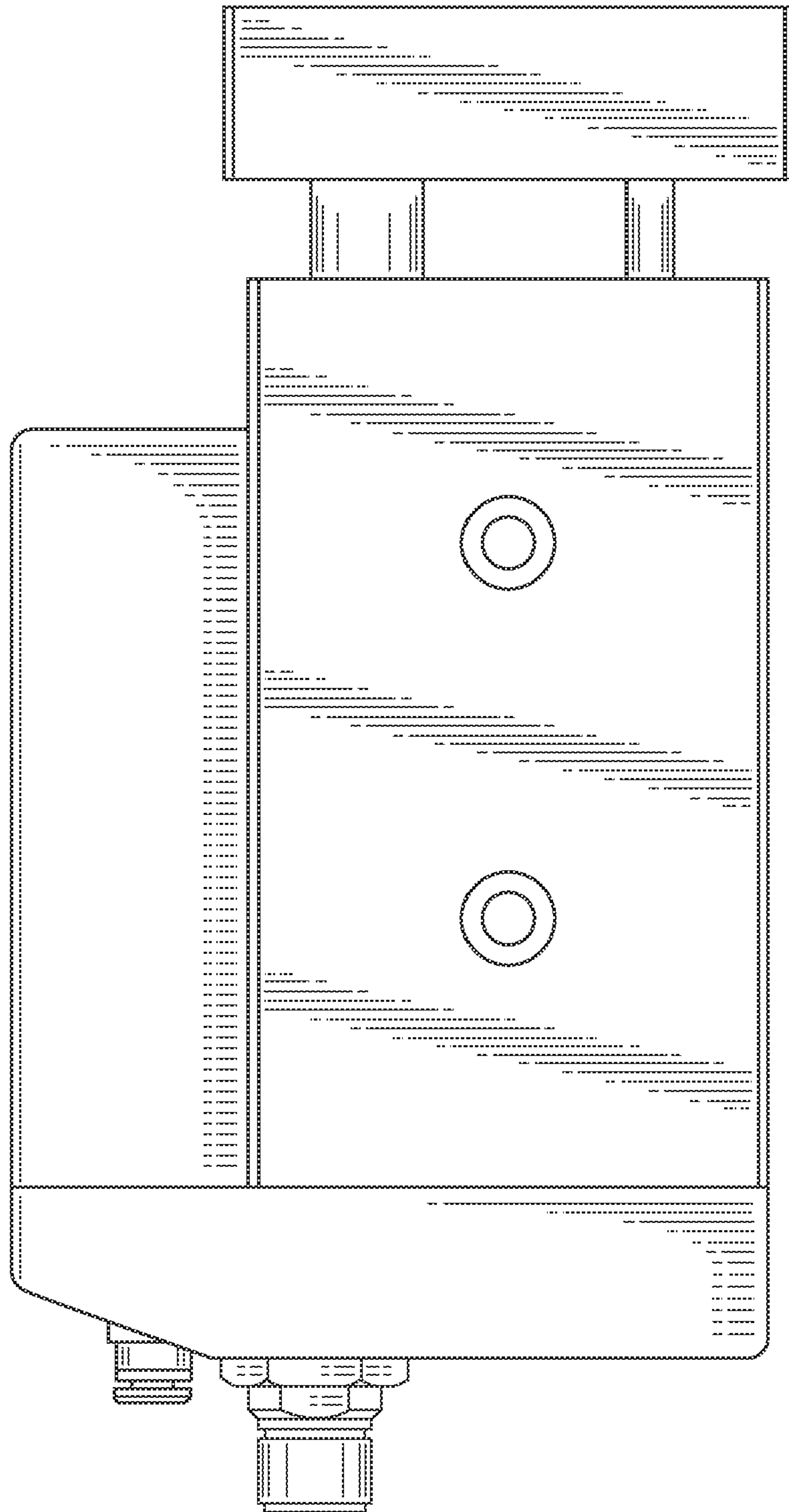


FIG. 3

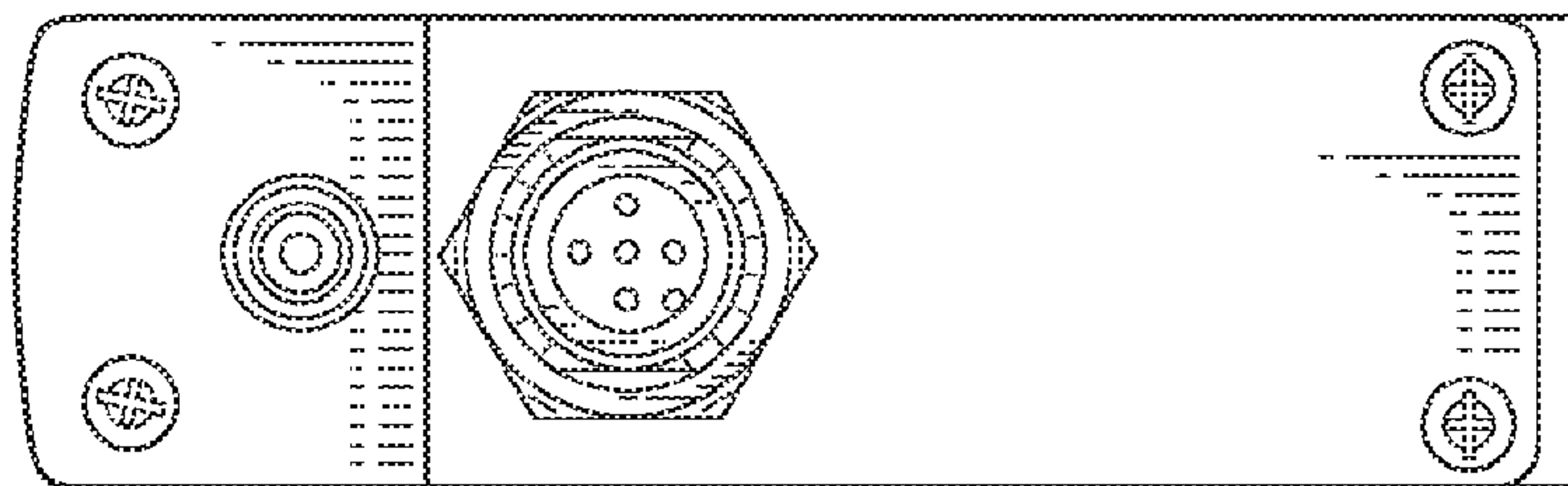


FIG. 4

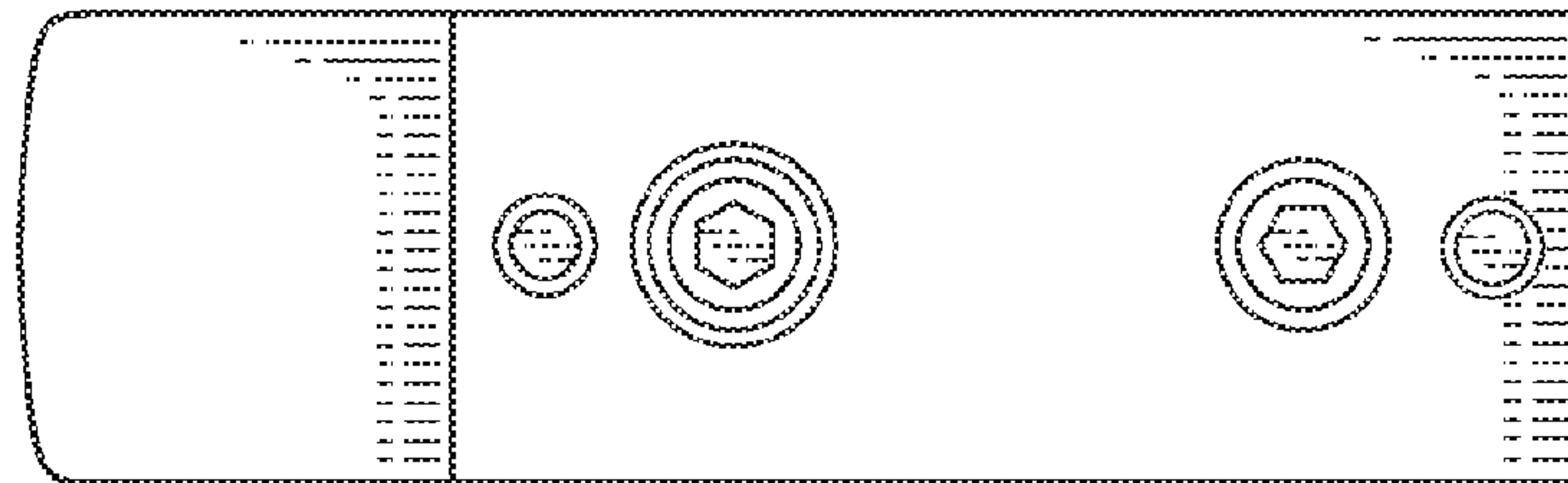


FIG. 5

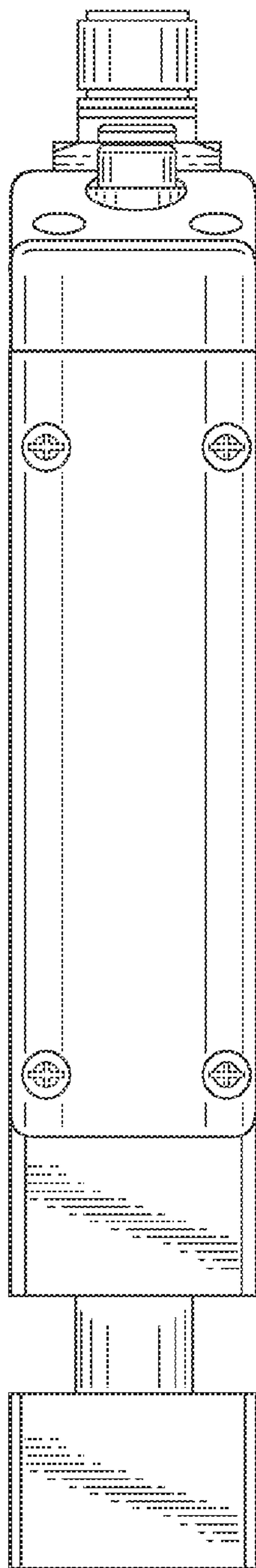


FIG. 6

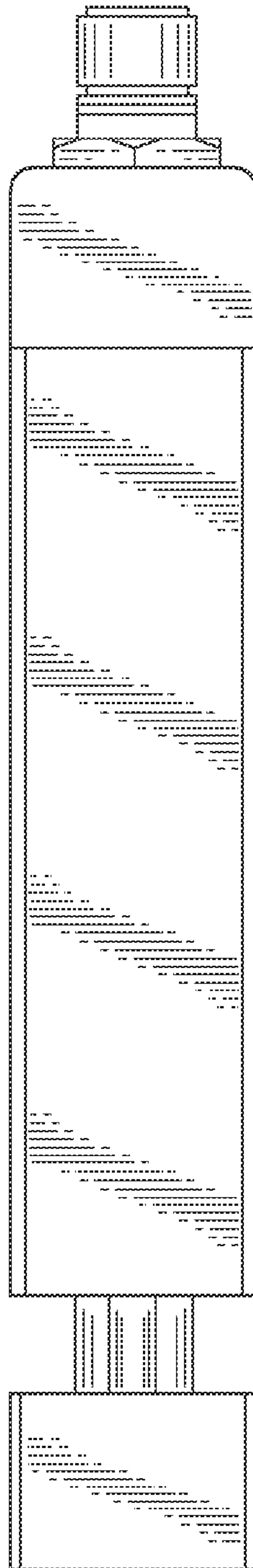


FIG. 7

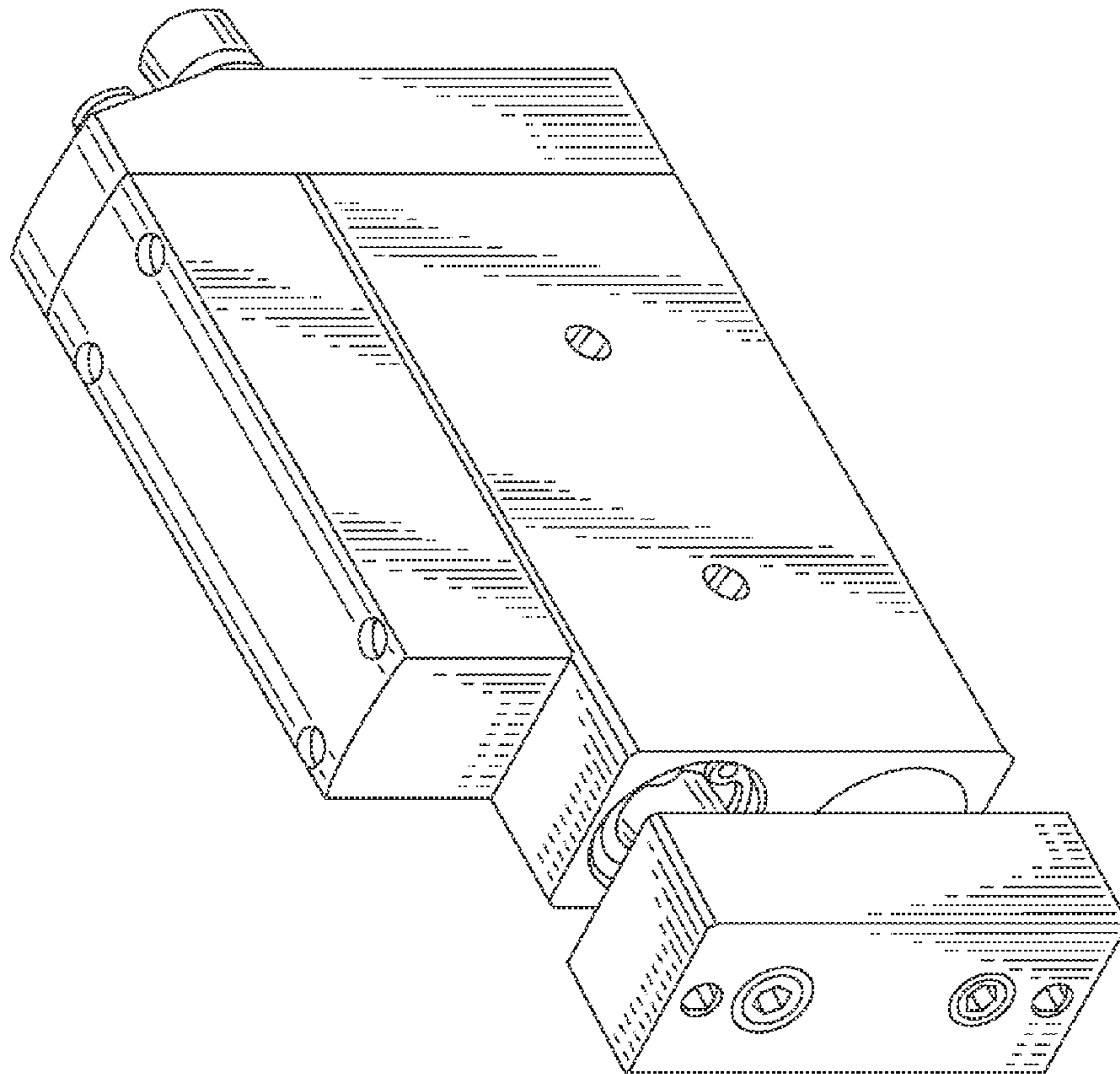


FIG. 8

