



US00D612871S

(12) **United States Design Patent**  
**Rosenbaum**

(10) **Patent No.:** **US D612,871 S**  
(45) **Date of Patent:** **\*\* Mar. 30, 2010**

(54) **AIR INTAKE MANIFOLD**

(76) Inventor: **Amir Rosenbaum**, 1720 S. Carlos Ave.,  
Ontario, CA (US) 91761

(\*\*) Term: **14 Years**

(21) Appl. No.: **29/330,557**

(22) Filed: **Jan. 9, 2009**

(51) **LOC (9) Cl.** ..... **15-01**

(52) **U.S. Cl.** ..... **D15/5**

(58) **Field of Classification Search** ..... D15/1-6;  
60/299, 302, 324; 261/DIG. 36, 23.2, 70;  
123/198 E, 184.21, 184.25, 184.34-184.35,  
123/184.42, 184.43, 184.47-184.48

See application file for complete search history.

(56) **References Cited**

U.S. PATENT DOCUMENTS

3,849,094	A *	11/1974	Holland	.....	55/330
D267,952	S	2/1983	Martin		
5,034,037	A *	7/1991	Harold et al.	.....	96/400
5,307,771	A *	5/1994	Stahel et al.	.....	123/198 E
6,287,355	B1 *	9/2001	Park	.....	55/419
D472,246	S	3/2003	Ayton		
D497,619	S *	10/2004	Reitsma	.....	D15/5
D517,267	S	3/2006	Teeter		
D528,129	S	9/2006	Huang		
7,107,962	B1 *	9/2006	Spies et al.	.....	123/198 E
D530,723	S	10/2006	Huang		
D548,248	S *	8/2007	Passante	.....	D15/5
D555,172	S	11/2007	Craft		

D563,303	S	3/2008	Hatter et al.		
D582,432	S *	12/2008	Rosenbaum	.....	D15/6
D582,433	S *	12/2008	Rosenbaum	.....	D15/6
7,547,350	B2 *	6/2009	Callahan et al.	.....	95/143

\* cited by examiner

*Primary Examiner*—Ian Simmons

*Assistant Examiner*—Wan Laymon

(74) *Attorney, Agent, or Firm*—Kirk A. Buhler; Buhler & Associates

(57) **CLAIM**

The ornamental design for an air intake manifold, as shown and described.

**DESCRIPTION**

FIG. 1 is a perspective top view for an air intake manifold showing my new design;

FIG. 2 is a perspective bottom view thereof;

FIG. 3 is a top view thereof;

FIG. 4 is a right side view thereof;

FIG. 5 is a bottom view thereof;

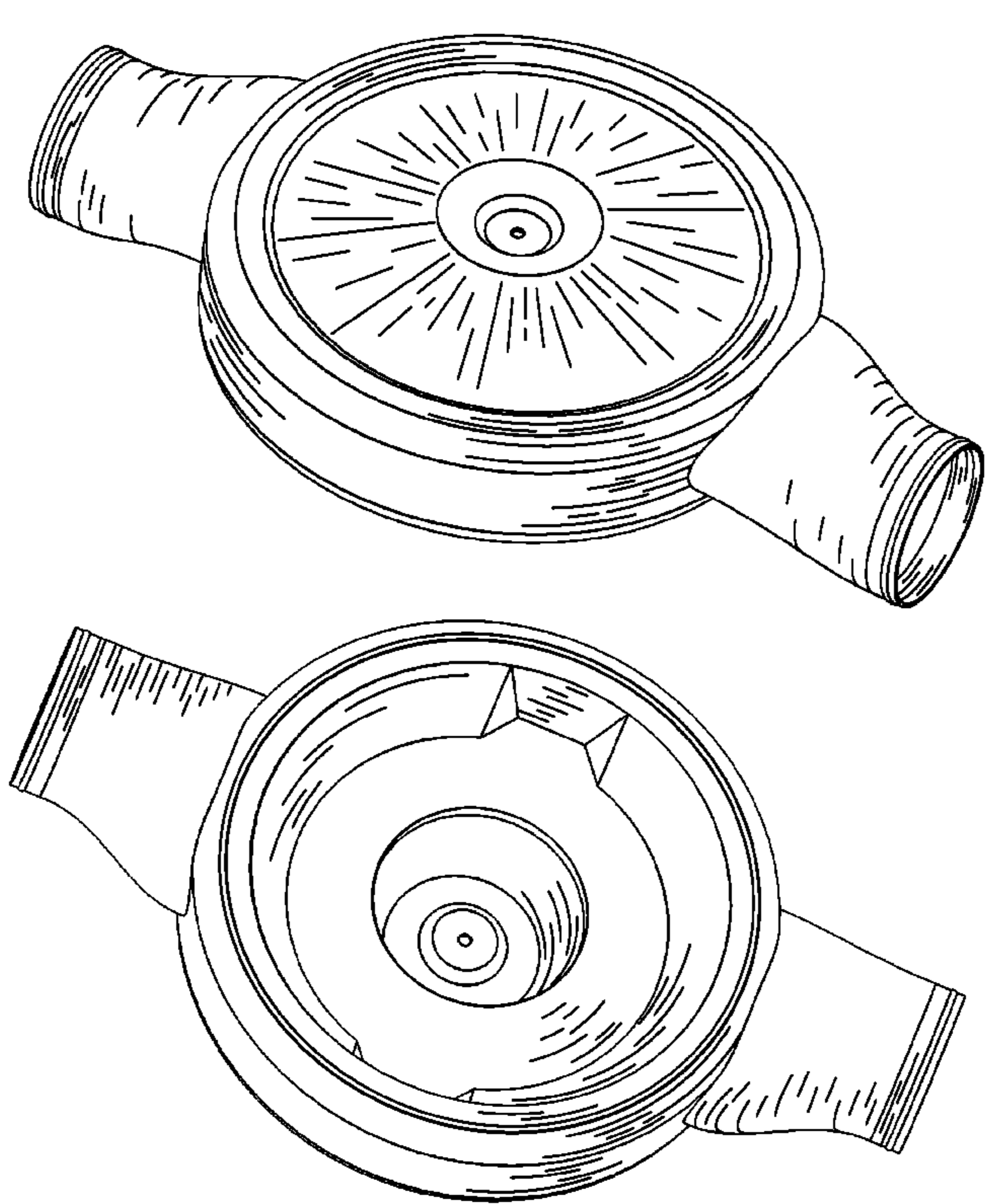
FIG. 6 is a left side view thereof;

FIG. 7 is a front view thereof; and,

FIG. 8 is a back view thereof.

The broken line showing portions of an air intake manifold is included for the purpose of illustrating environmental structure and forms no part of the claimed design.

**1 Claim, 5 Drawing Sheets**



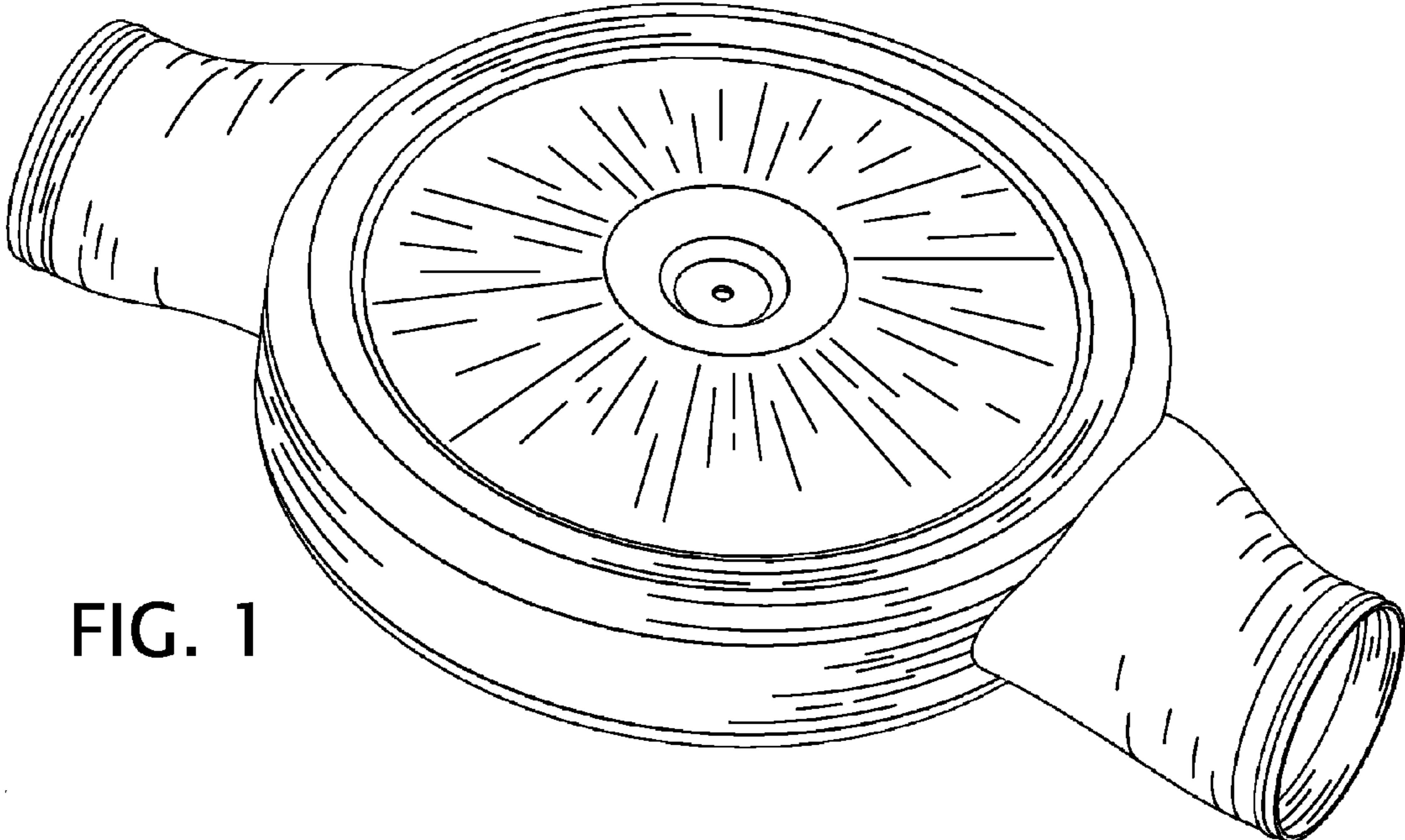


FIG. 1

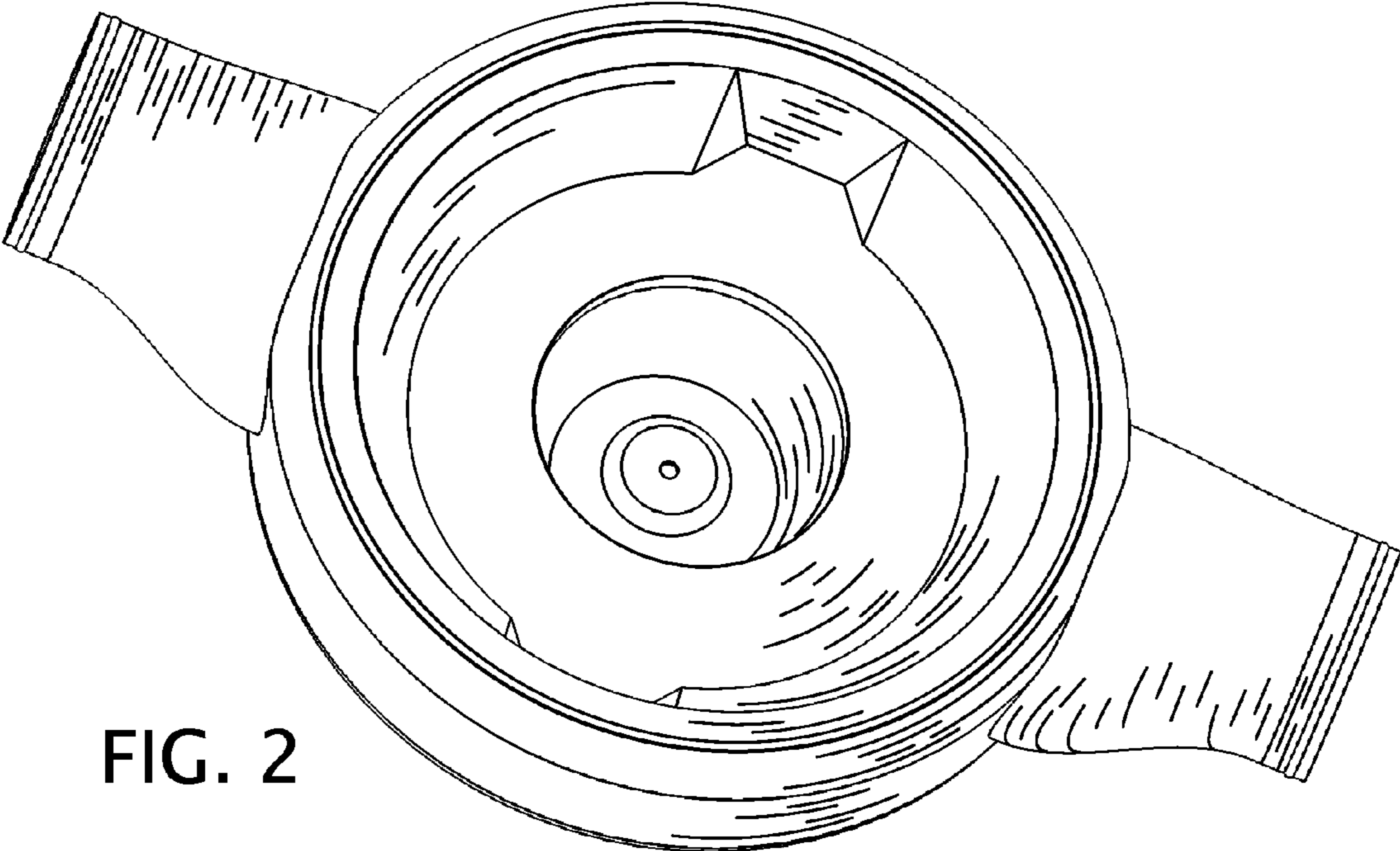
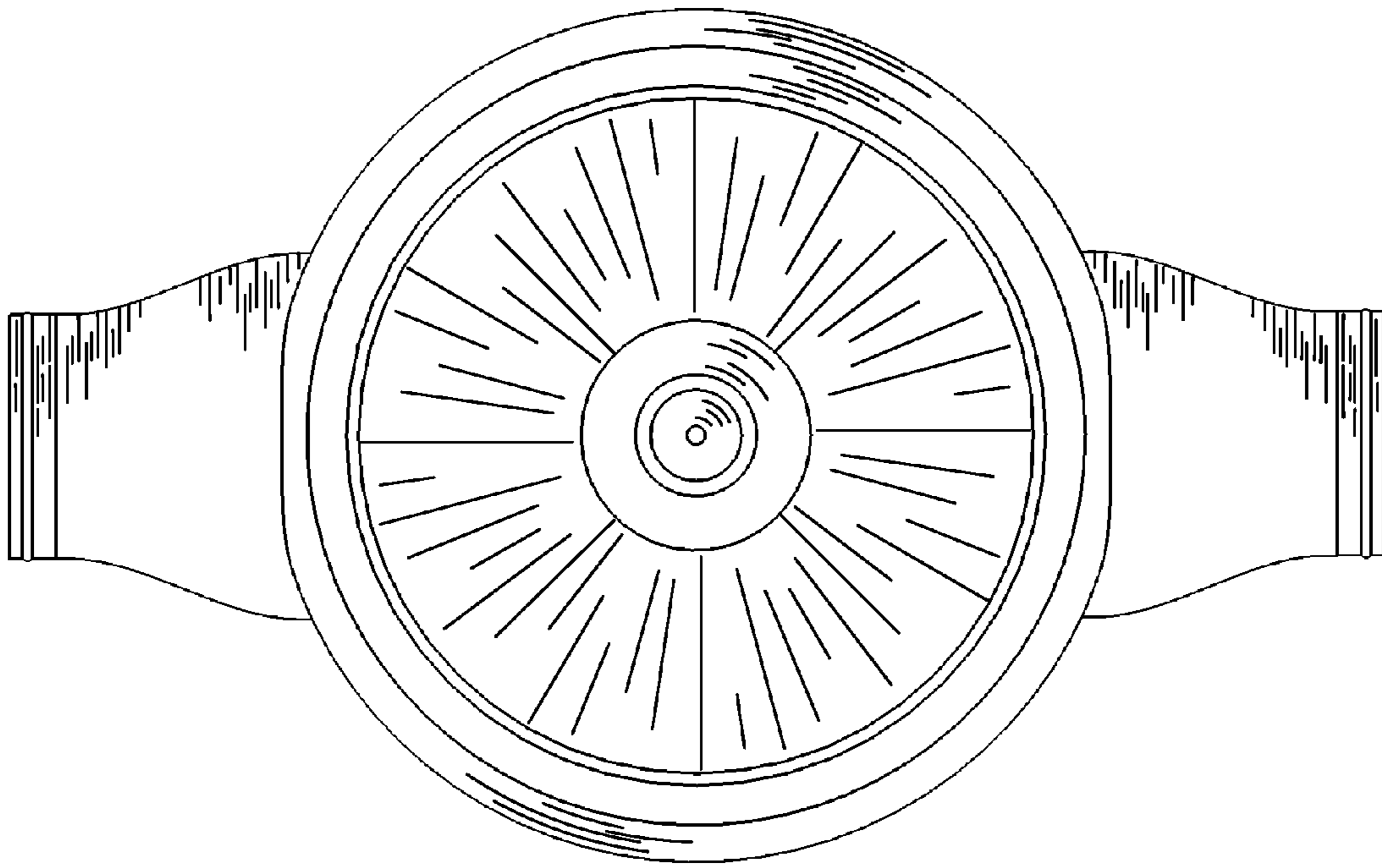
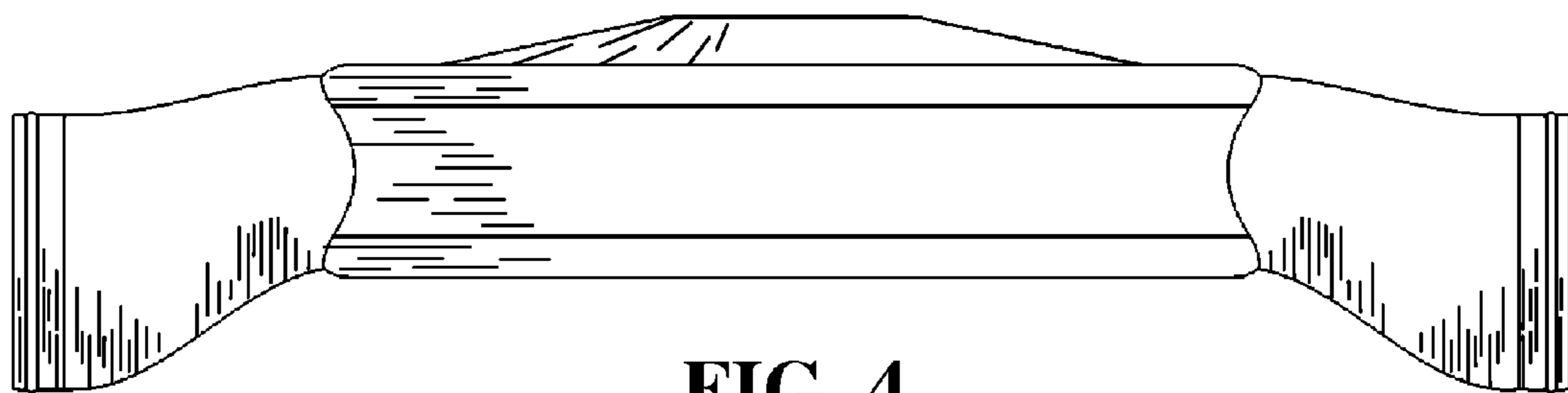


FIG. 2



**FIG. 3**



**FIG. 4**

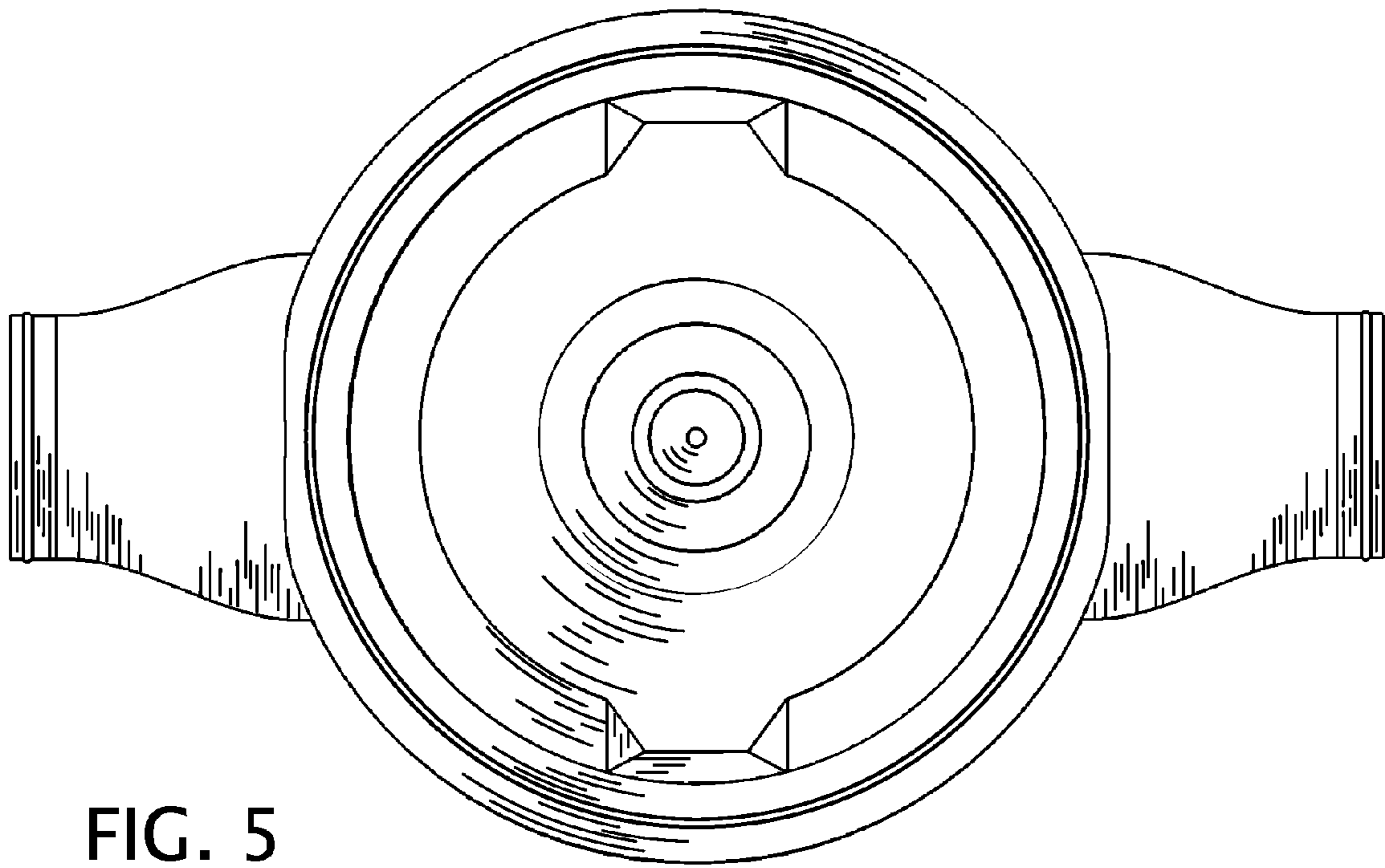


FIG. 5

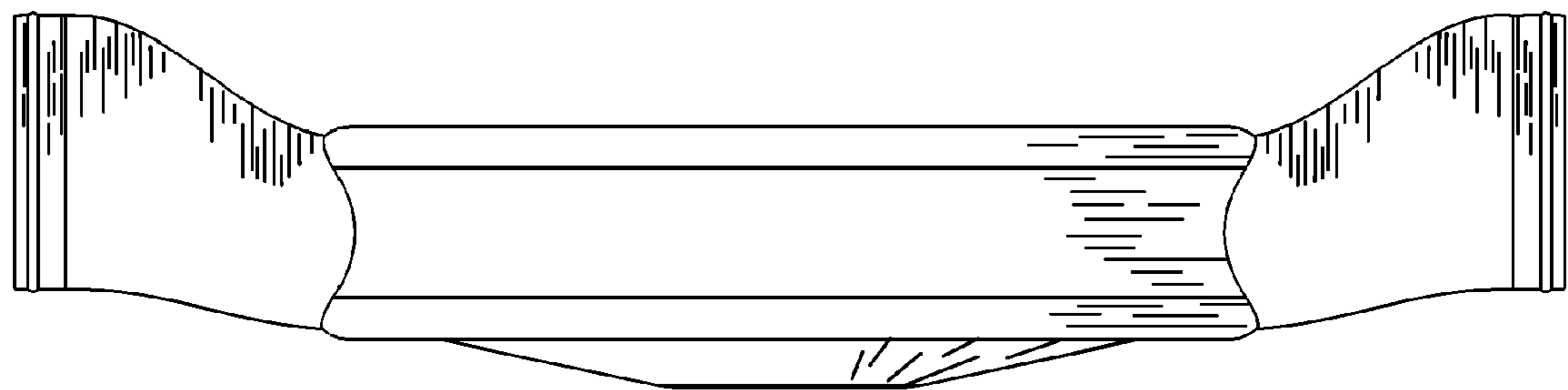
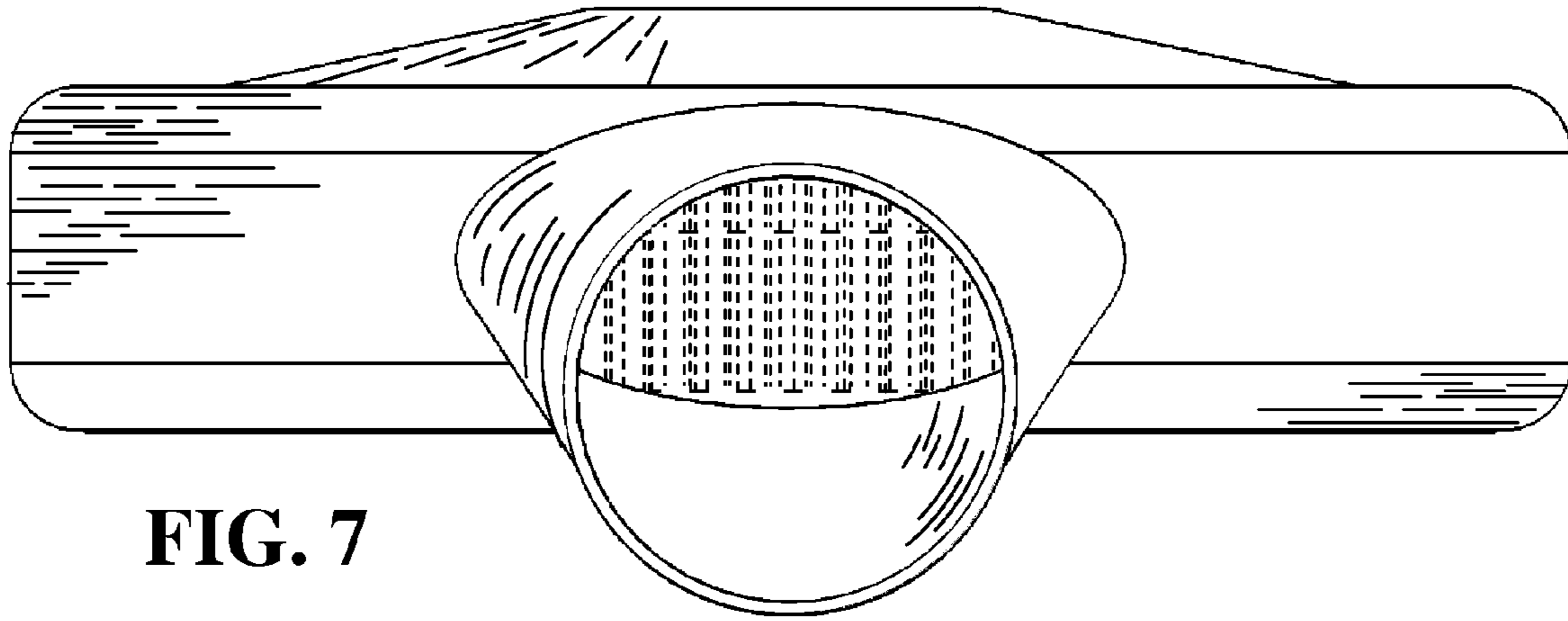
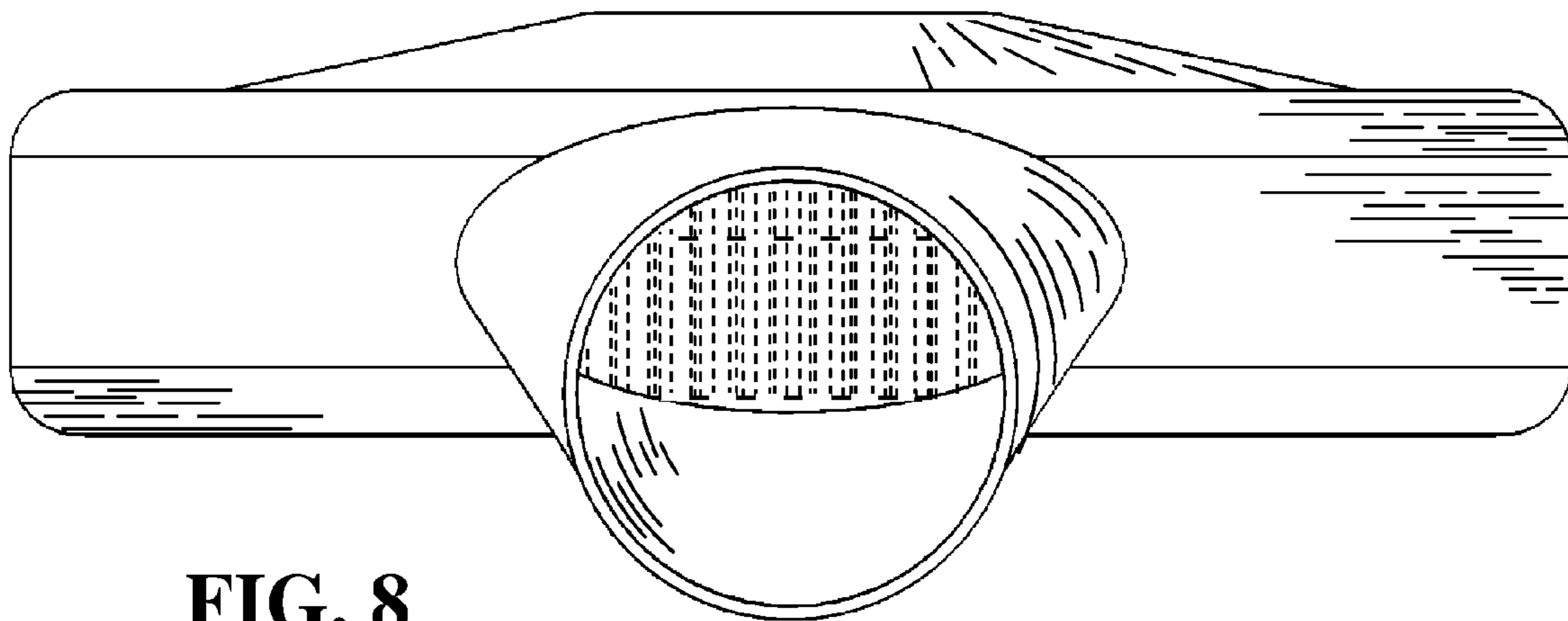


FIG. 6



**FIG. 7**



**FIG. 8**