



US00D612867S

(12) **United States Design Patent**
Morabito

(10) **Patent No.:** **US D612,867 S**
(45) **Date of Patent:** **** Mar. 30, 2010**

(54) **ELECTRONIC DEVICE**
(75) Inventor: **Pascal Ito Morabito**, Paris (FR)
(73) Assignee: **Deutsche Telekom AG** (DE)
(**) Term: **14 Years**
(21) Appl. No.: **29/329,743**
(22) Filed: **Dec. 19, 2008**
(51) **LOC (9) Cl.** **14-01**
(52) **U.S. Cl.** **D14/496**
(58) **Field of Classification Search** D14/496,
D14/498-511, 167-168, 188, 197-198, 341-347,
D14/454-456, 204, 209.1, 211, 214, 203.1-203.8;
360/99.02, 99.07; 369/75.11, 75.21, 77.11,
369/77.21; 720/601, 612, 619, 649, 655;
455/344, 347-351, 556.1, 556.2, 556, 575.1;
379/433.03, 433.06, 433.07, 433.11, 433.12,
379/433.13; 348/14.02; D21/517, 329-331
See application file for complete search history.

EM 898465-0003 S 6/2008
EM 898465-0004 S 6/2008
EM 898465-0005 S 6/2008
EM 898465-0006 S 6/2008
EM 898465-0007 S 6/2008
EM 898465-0008 S 6/2008
EM 898465-0009 S 6/2008
EM 898465-0010 S 6/2008
EM 898465-0011 S 6/2008
EM 898465-0012 S 6/2008
EM 898465-0013 S 6/2008
EM 902663-0005 S 7/2008
EM 1013874-0002 S 10/2008
EM 1013874-0004 S 10/2008

* cited by examiner

Primary Examiner—Nanda Bondade
(74) *Attorney, Agent, or Firm*—Lovells LLP

(57) **CLAIM**

The ornamental design for an electronic device, as shown and described.

DESCRIPTION

FIG. 1 is a perspective view from the front, top and side of a electronic device showing the new design;

FIG. 2 is a perspective view from rear side of the design shown in FIG. 1;

FIG. 3 is a front view of the design shown in FIG. 1;

FIG. 4 is a rear view of the design shown in FIG. 1;

FIG. 5 is a top side view of the design shown in FIG. 1;

FIG. 6 is a bottom side view of the design shown in FIG. 1;

FIG. 7 is a left side view of the design shown in FIG. 1; and,

FIG. 8 is a right side view of the design shown in FIG. 1.

(56) **References Cited**

U.S. PATENT DOCUMENTS

D511,339 S * 11/2005 Tsuge D14/214
D530,342 S * 10/2006 Lee et al. D14/496
D534,545 S * 1/2007 Leija et al. D14/496
D539,816 S * 4/2007 Aoki et al. D14/203.7
D543,553 S * 5/2007 Langberg et al. D14/496
D566,730 S * 4/2008 Lee D14/496
D570,869 S * 6/2008 Yamada D14/496

FOREIGN PATENT DOCUMENTS

DE 402008000099 S 3/2008
EM 898465-0001 S 6/2008
EM 898465-0002 S 6/2008

1 Claim, 8 Drawing Sheets

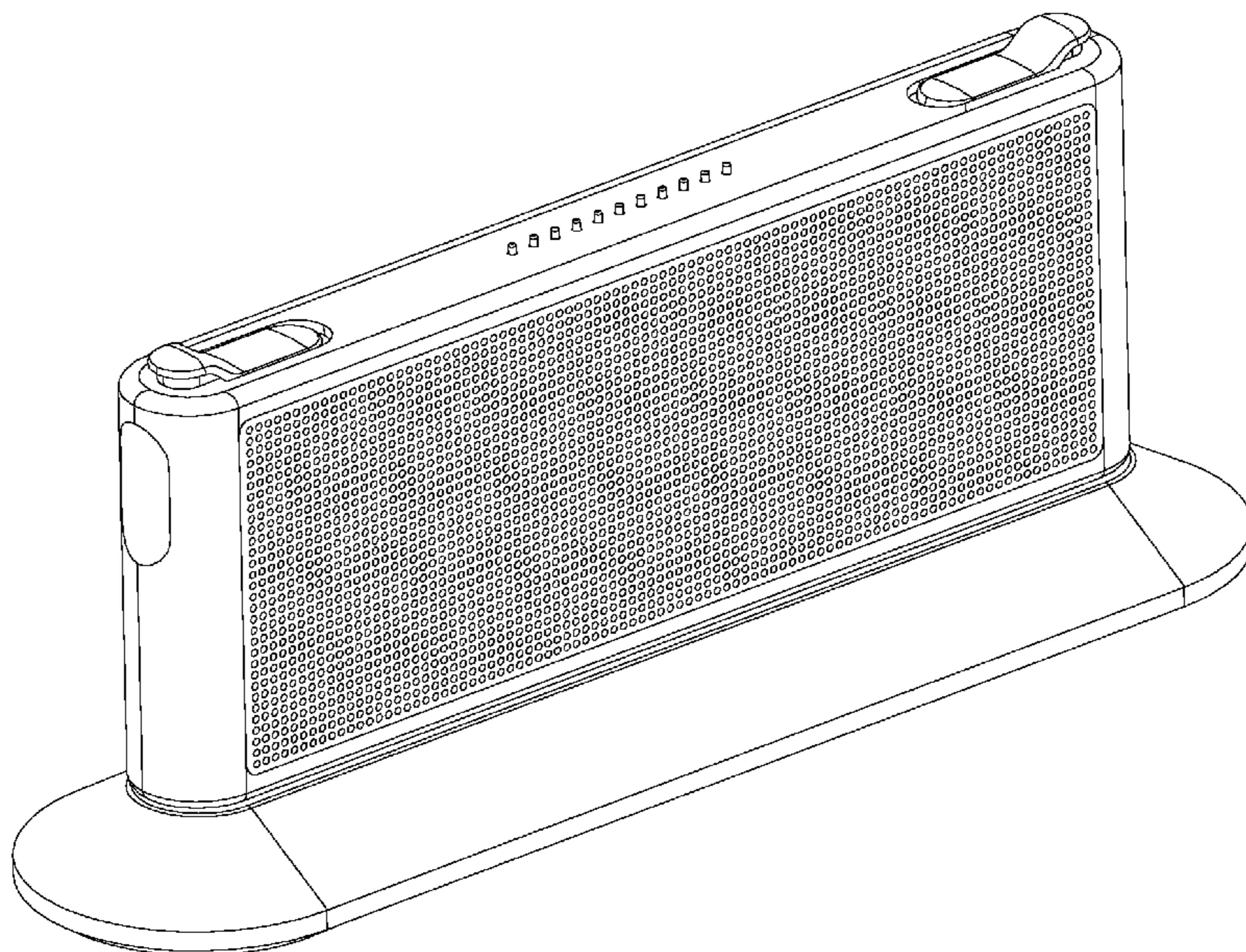


FIG. 1

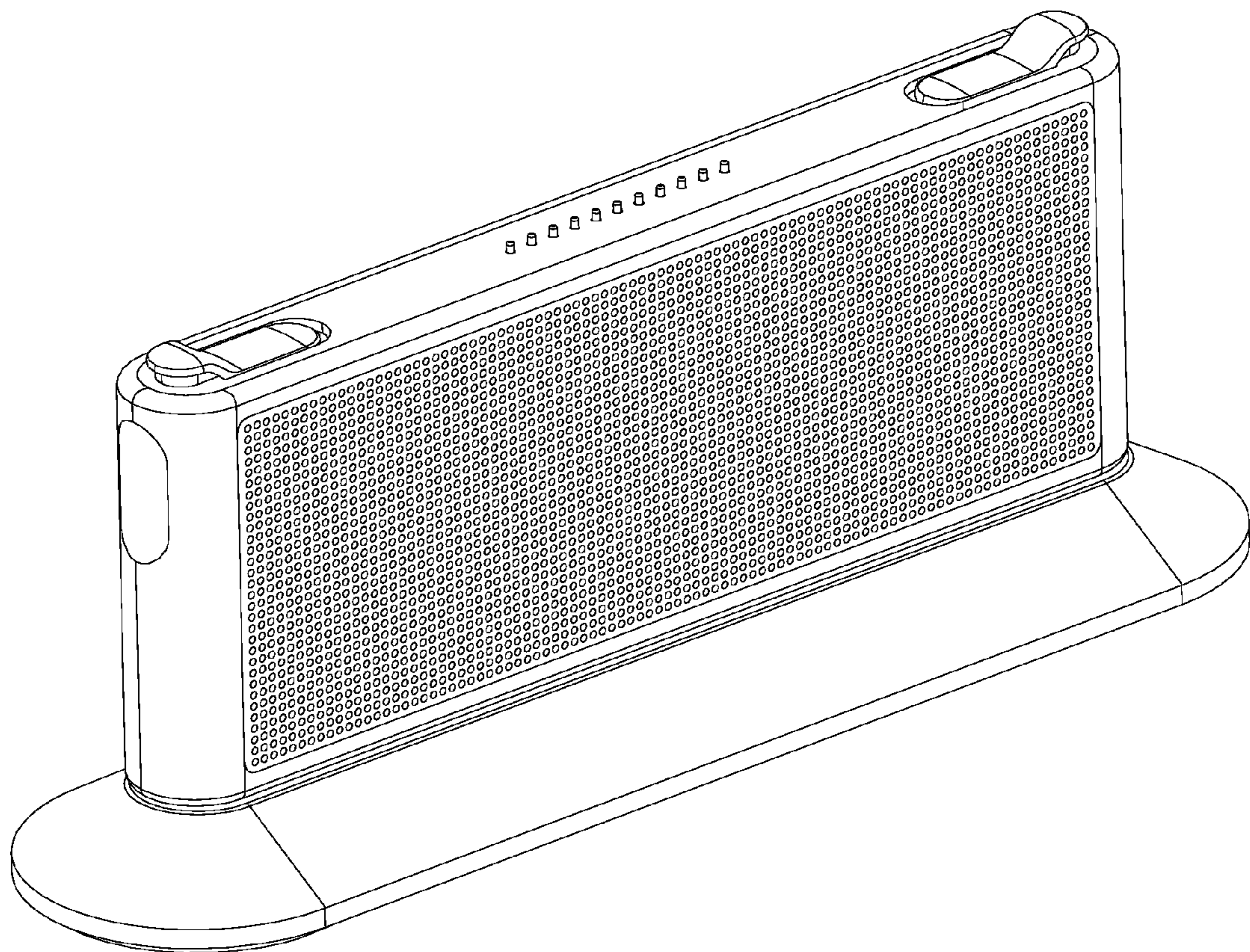


FIG. 2

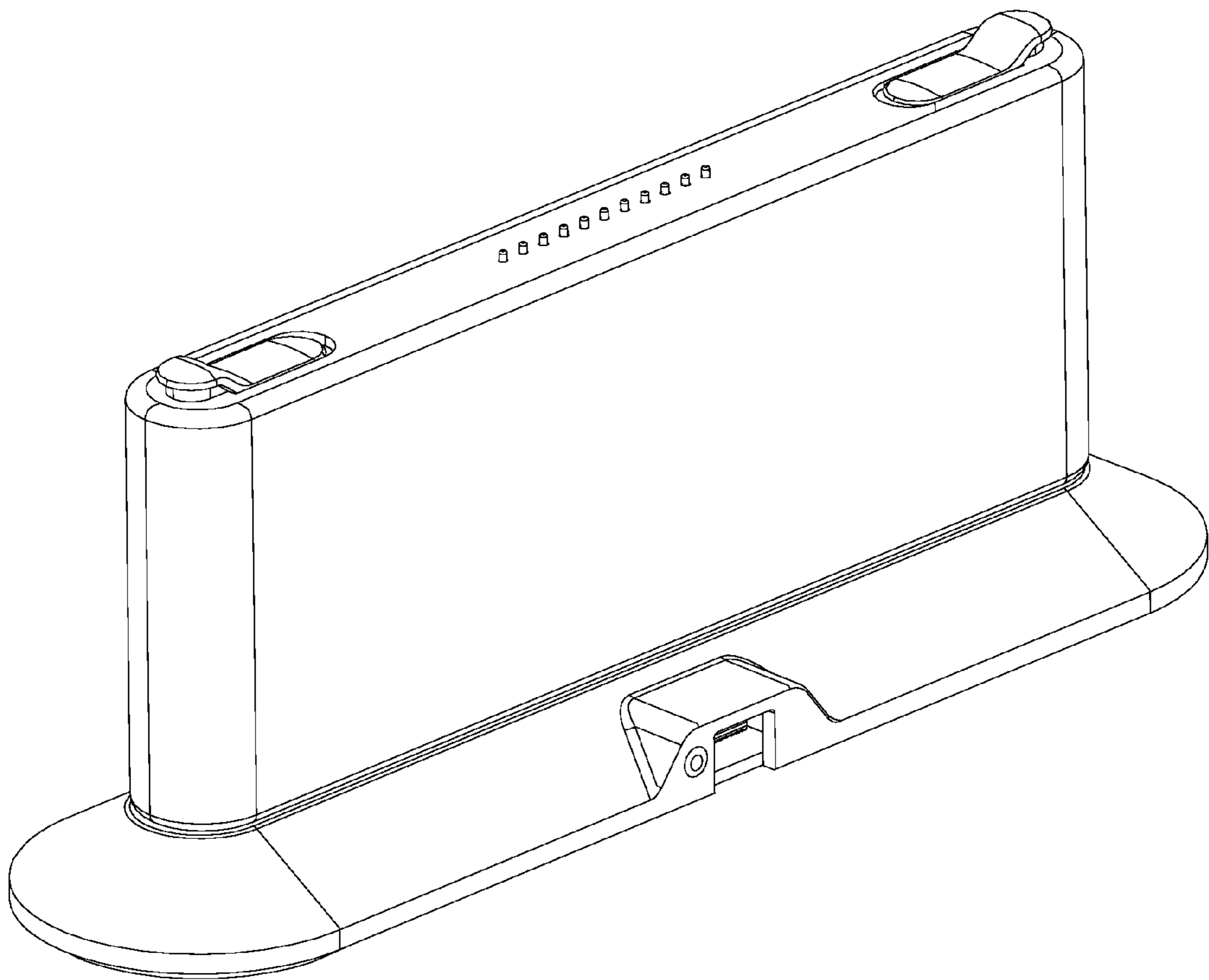


FIG. 3

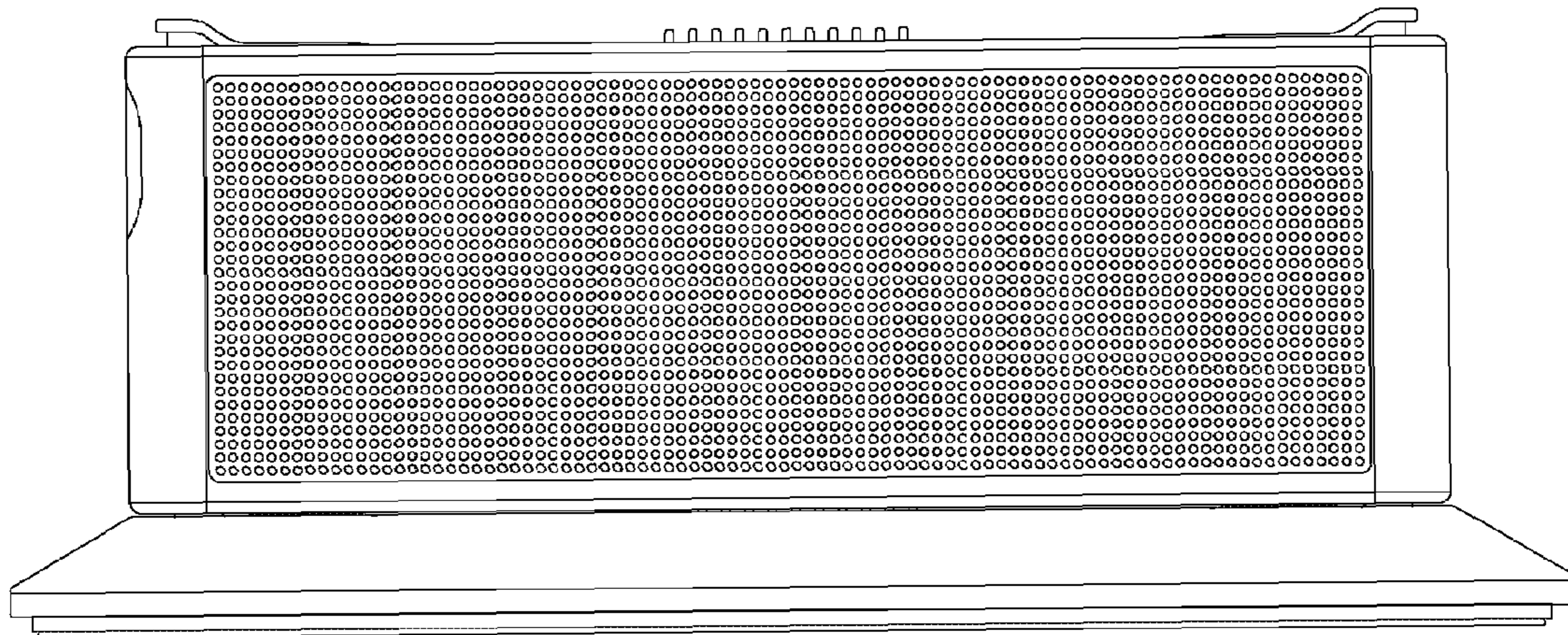


FIG. 4

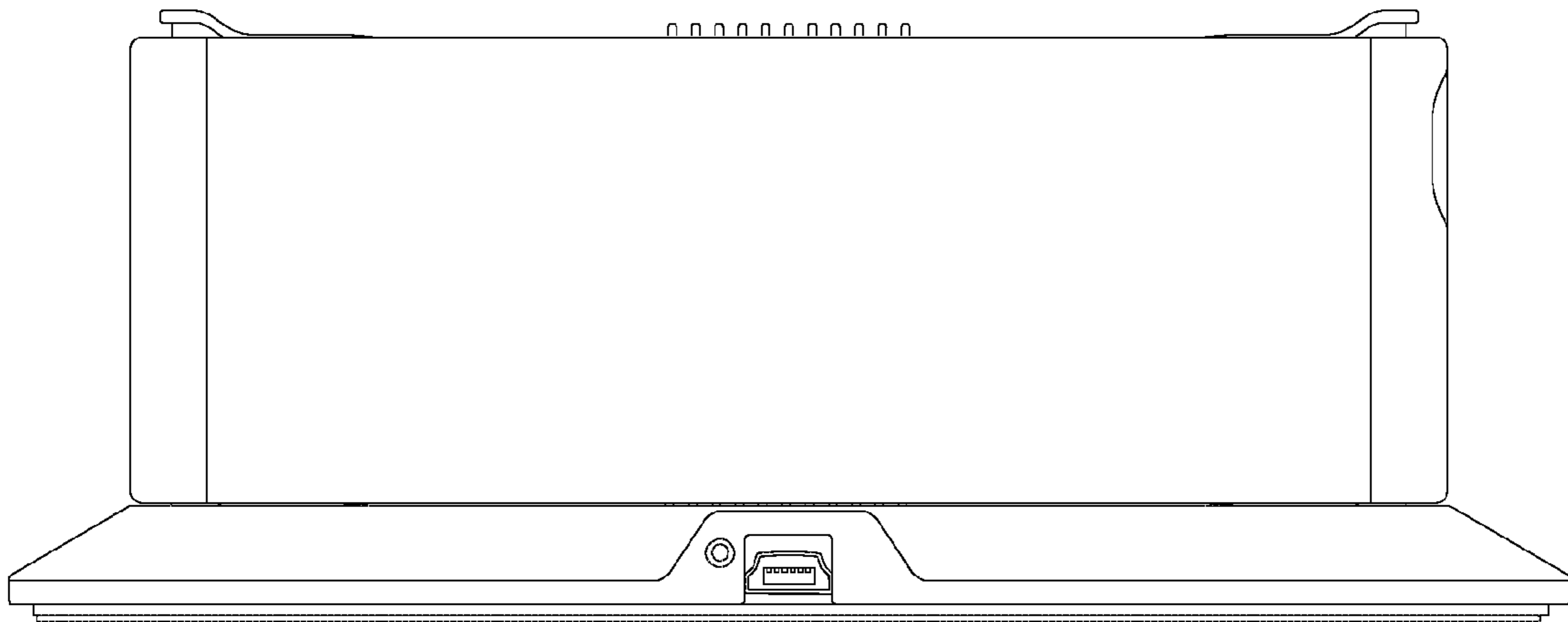


FIG. 5

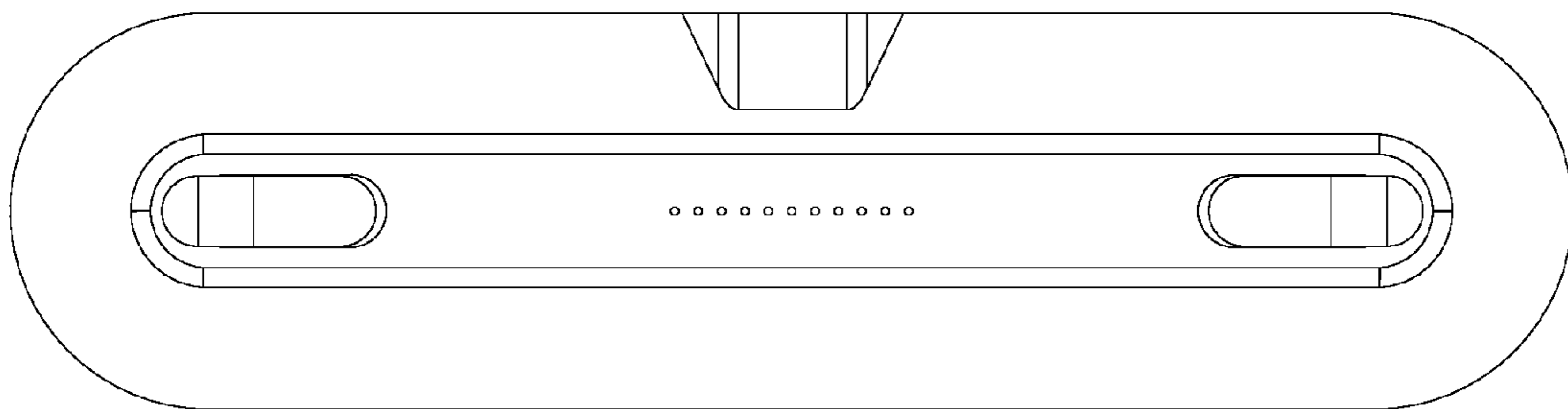


FIG. 6

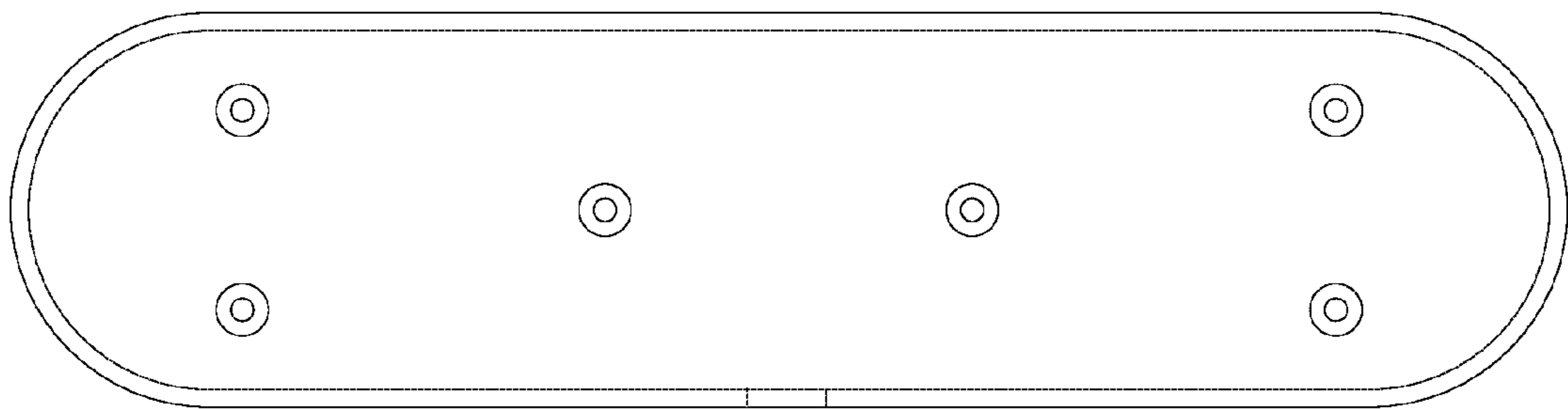


FIG. 7

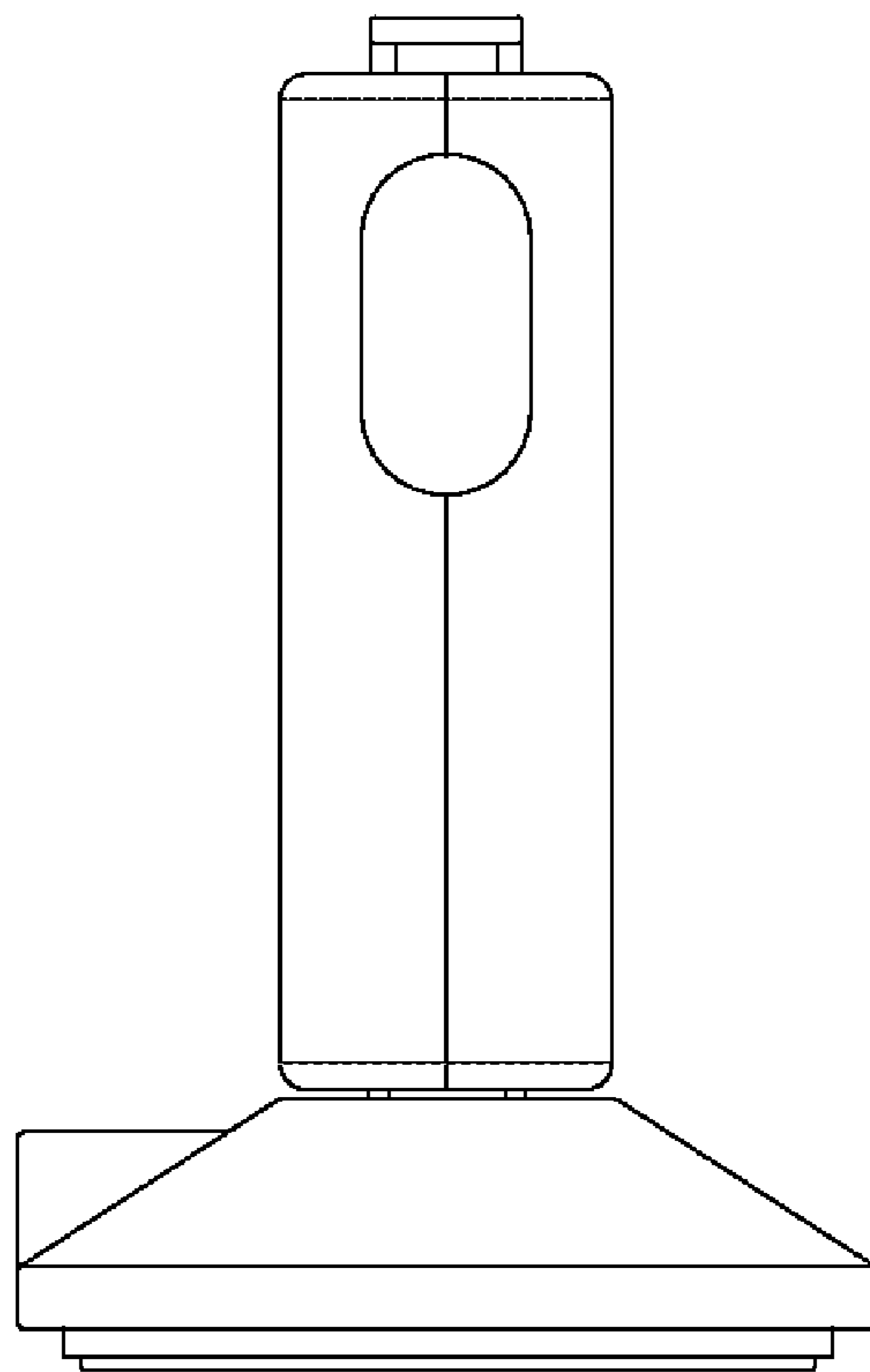
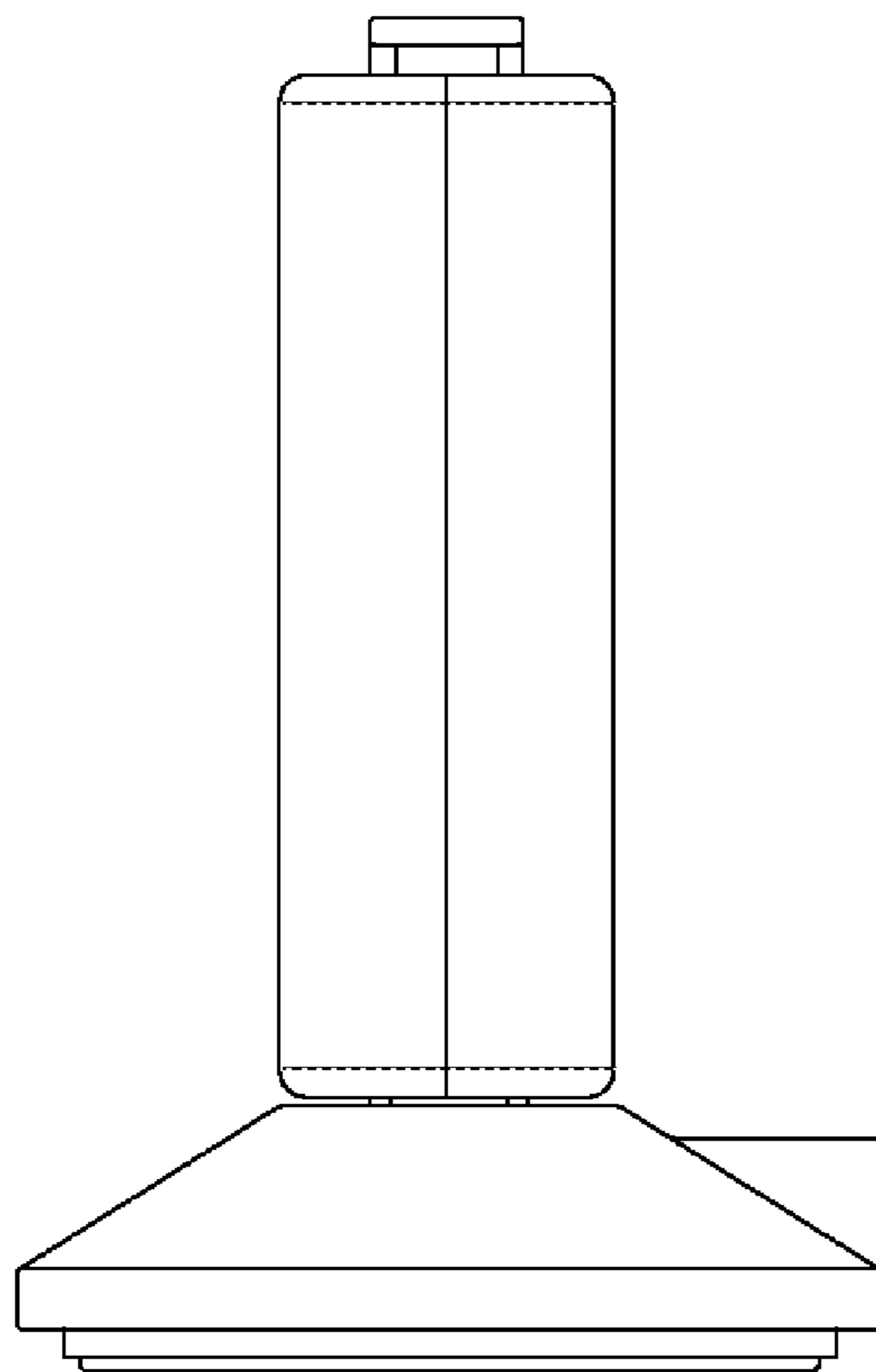


FIG. 8



UNITED STATES PATENT AND TRADEMARK OFFICE
CERTIFICATE OF CORRECTION

PATENT NO. : Des. 612,867 S
APPLICATION NO. : 29/329743
DATED : March 30, 2010
INVENTOR(S) : Pascal Ito Morabito

Page 1 of 1

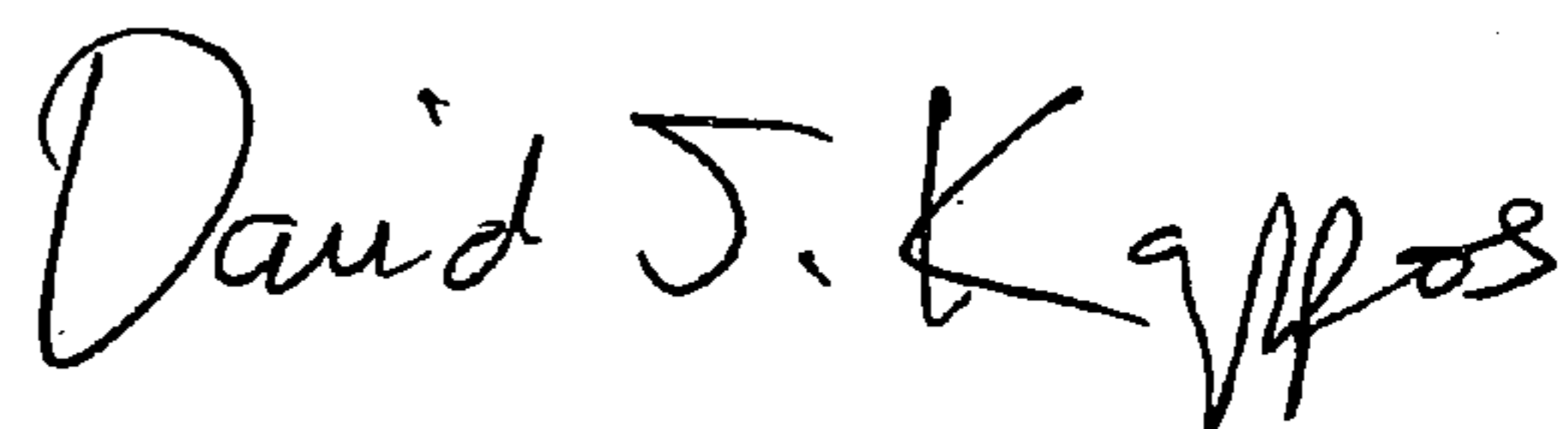
It is certified that error appears in the above-identified patent and that said Letters Patent is hereby corrected as shown below:

Title Page;
In the “(73) Assignee” field on the cover page, the assignee should read as “Deutsche Telekom AG.”

In the “Description” section on the cover page, in the sentence which starts “FIG. 1”, the word “form” should be replaced with the word “from.”

Signed and Sealed this

Twenty-fifth Day of May, 2010



David J. Kappos
Director of the United States Patent and Trademark Office