



US00D612866S

(12) **United States Design Patent**
Sukeda

(10) **Patent No.:** **US D612,866 S**
(45) **Date of Patent:** **** Mar. 30, 2010**

(54) **AUDIO PLAYER**

(75) Inventor: **Naoya Sukeda**, Tokyo (JP)

(73) Assignee: **Sony Corporation**, Tokyo (JP)

(**) Term: **14 Years**

(21) Appl. No.: **29/311,973**

(22) Filed: **Aug. 10, 2009**

(30) **Foreign Application Priority Data**

Feb. 13, 2009 (CN) 2009 3 0003191

(51) **LOC (9) Cl.** **14-03**

(52) **U.S. Cl.** **D14/496**

(58) **Field of Classification Search** D14/496,
D14/401, 435, 474, 483, 217, 137, 138, 160,
D14/168, 356, 203.1-203.8, 507; 345/156,
345/169, 173-179, 905; 715/727-729, 864;
710/1, 5, 8; 713/1, 600; 455/1.1, 1.7, 73,
455/344-347, 93, 95, 3.01-3.06, 550.1, 573.1;
370/342-344; 369/1, 2, 6-12; 463/43-47;
273/148 B

See application file for complete search history.

(56) **References Cited**

U.S. PATENT DOCUMENTS

D446,511 S * 8/2001 Kanno et al. D14/167
D479,712 S * 9/2003 Ng D14/203.3
D483,281 S * 12/2003 Cobigo D10/104
D500,301 S 12/2004 Deguchi
D500,302 S 12/2004 Deguchi
D518,065 S 3/2006 Kobayashi

D526,331 S * 8/2006 Lee D14/203.7
D529,044 S * 9/2006 Andre et al. D14/203.3
D533,863 S 12/2006 Yamaji
D543,553 S * 5/2007 Langberg et al. D14/496
D550,703 S 9/2007 Koizumi
D561,200 S 2/2008 Morisawa et al.
D587,262 S 2/2009 Sogabe
D588,611 S * 3/2009 Oh et al. D14/496
D592,227 S * 5/2009 Oh et al. D14/496
D597,068 S * 7/2009 Whang D14/203.7
D602,466 S 10/2009 Hibino et al.
2004/0233646 A1 * 11/2004 Yen 361/752
2005/0109841 A1 * 5/2005 Ryan et al. 235/380
2006/0094301 A1 * 5/2006 Lee et al. 439/660

* cited by examiner

Primary Examiner—Prabhakar Deshmukh

(74) *Attorney, Agent, or Firm*—Rader, Fishman & Grauer, PLLC

(57) **CLAIM**

The ornamental design for an audio player, as shown.

DESCRIPTION

FIG. 1 is a perspective view of an audio player showing my new design;

FIG. 2 is a front elevational view thereof;

FIG. 3 is a rear elevational view thereof;

FIG. 4 is a left side elevational view thereof;

FIG. 5 is a right side elevational view thereof;

FIG. 6 is a top plan view thereof; and,

FIG. 7 is a bottom plan view thereof.

1 Claim, 7 Drawing Sheets

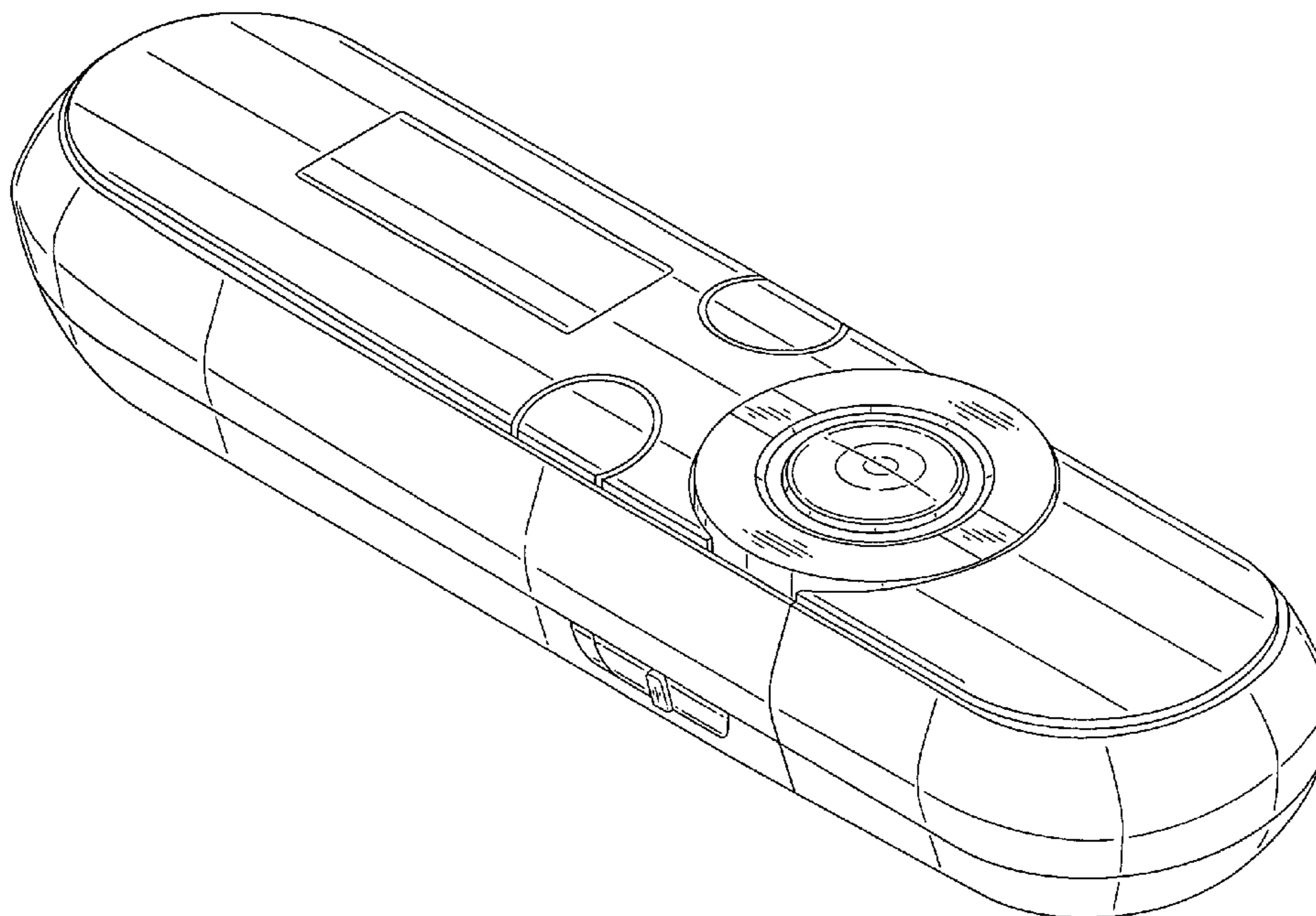


FIG.1

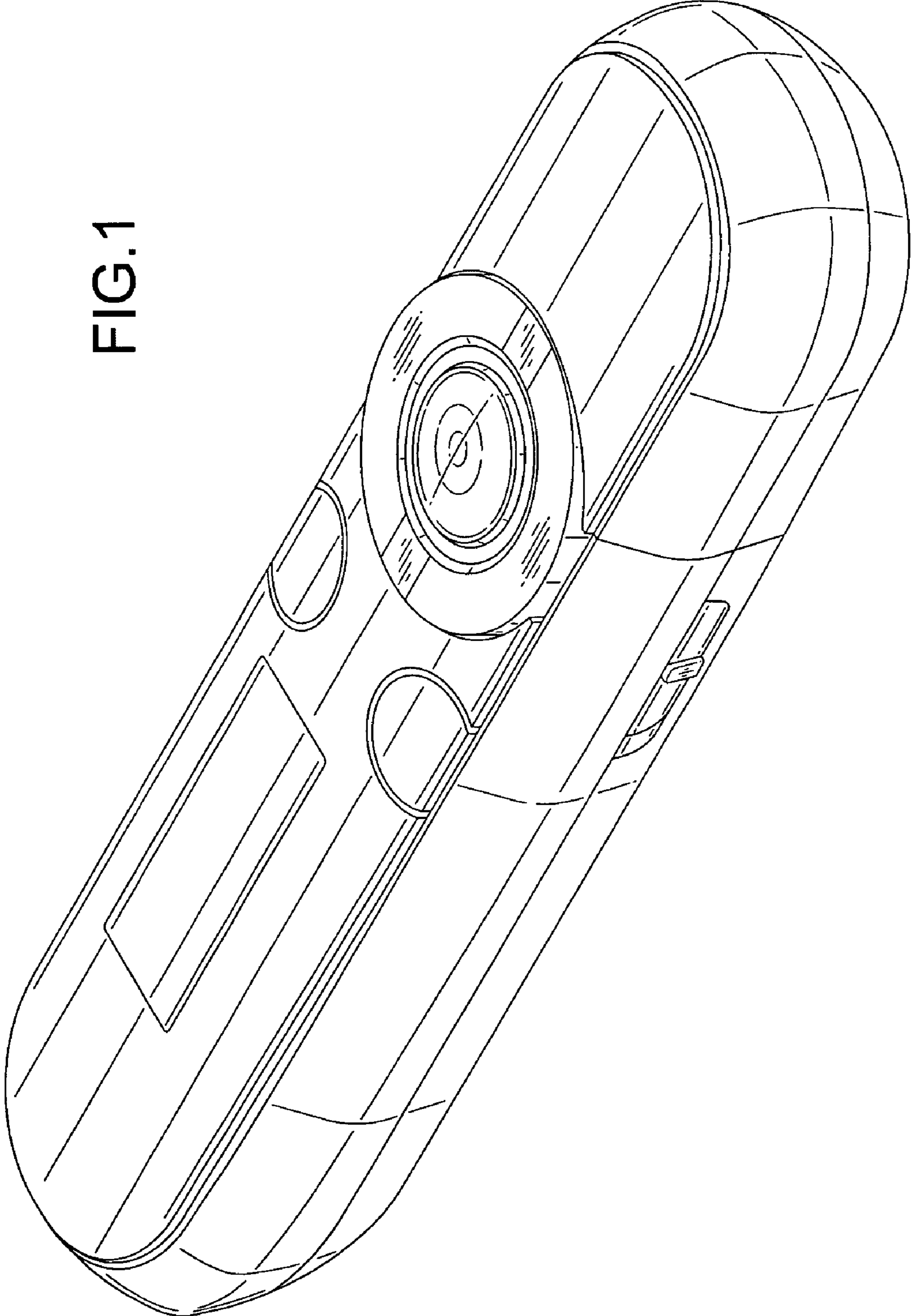


FIG.2

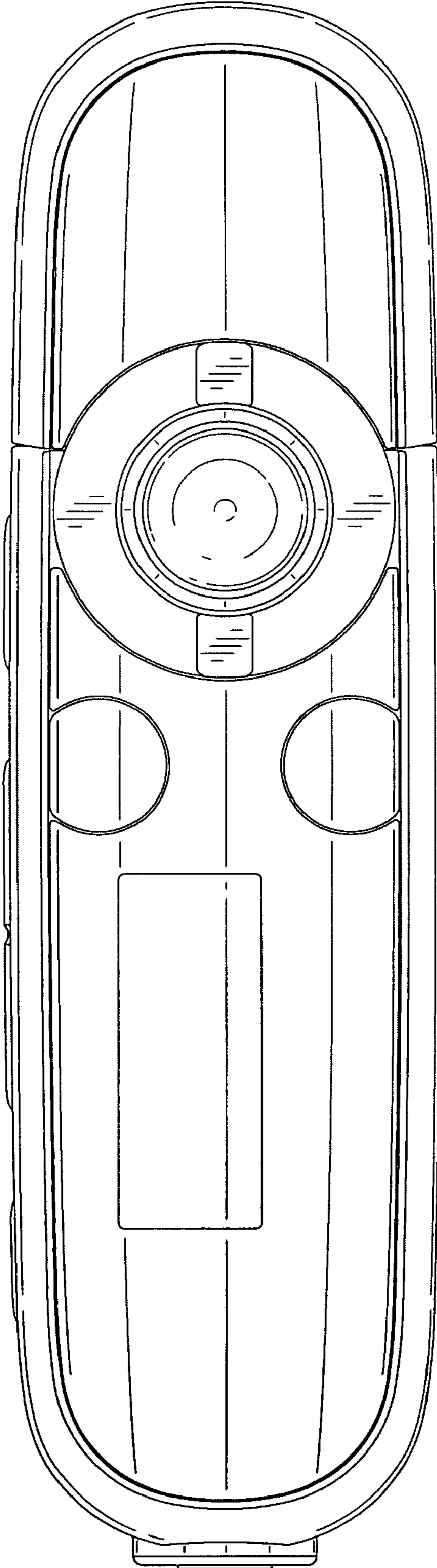


FIG.3

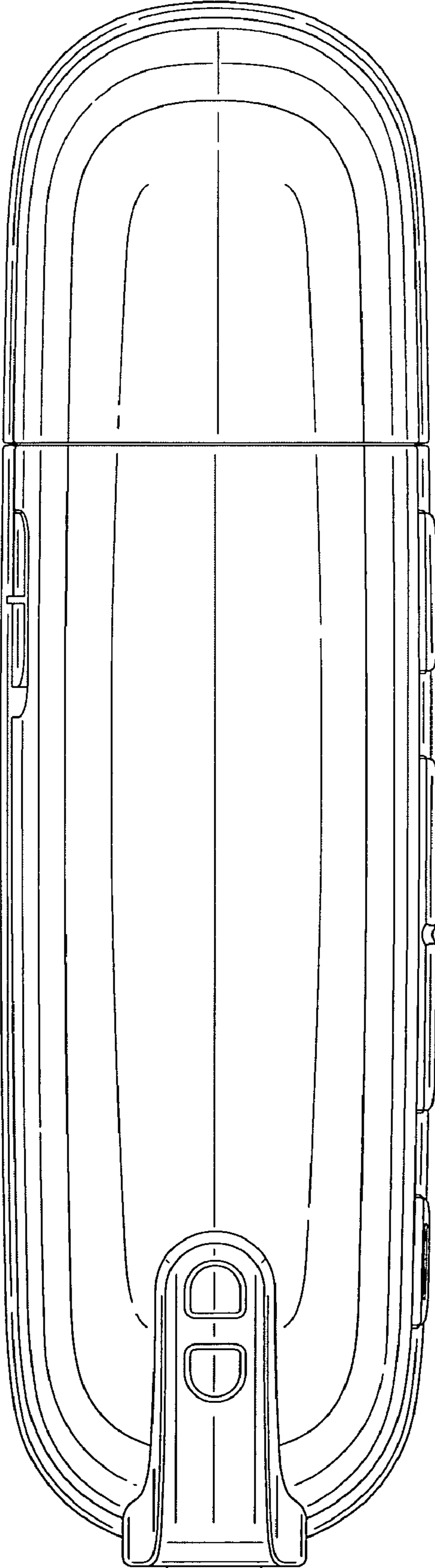


FIG. 4

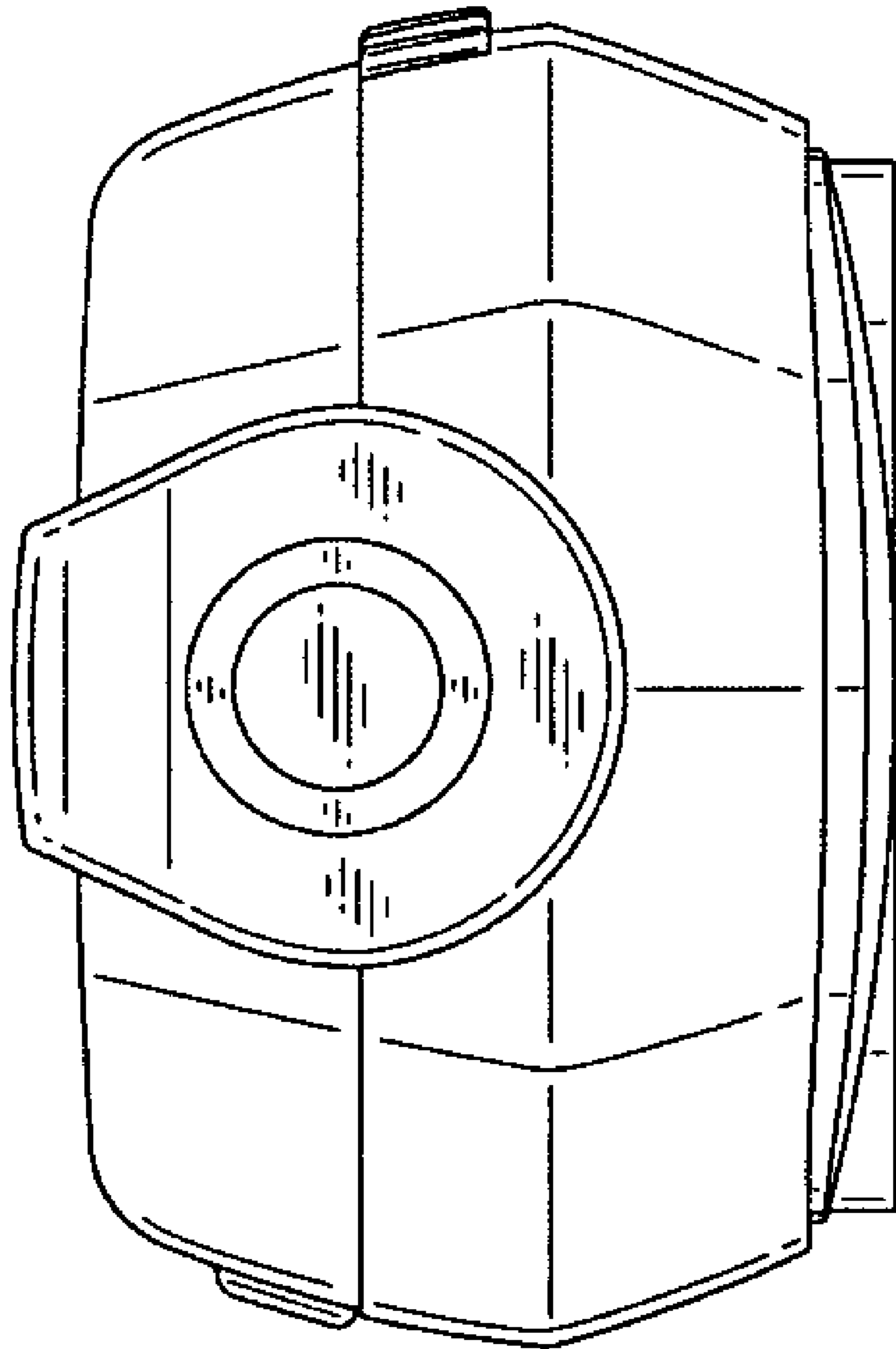


FIG. 5

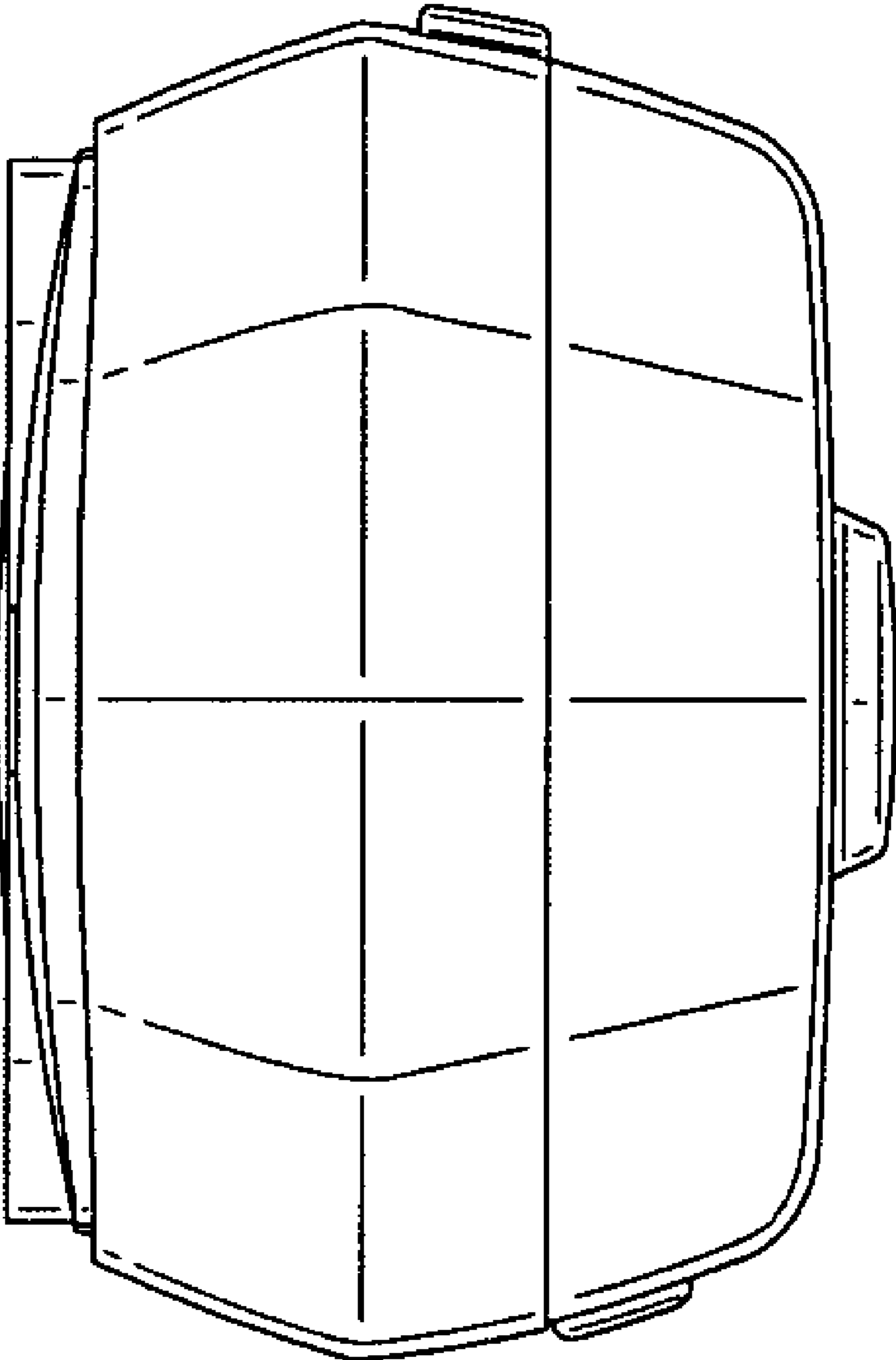


FIG.6

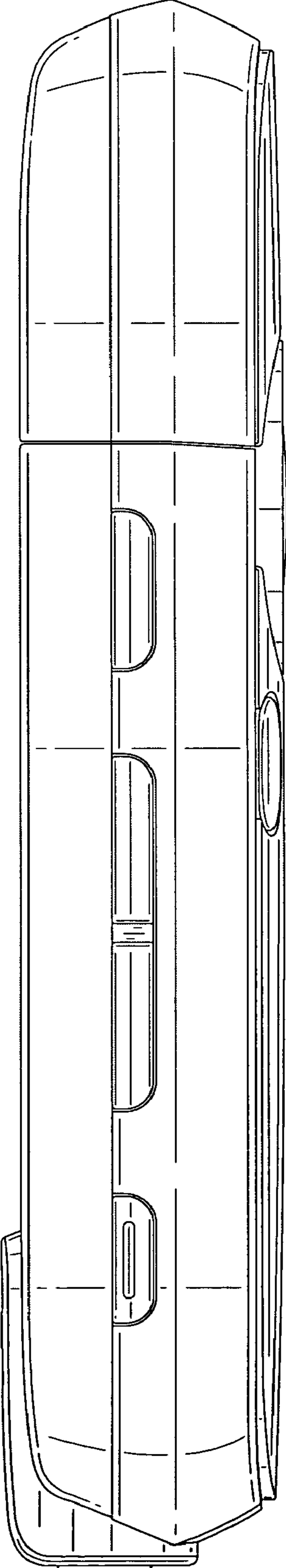


FIG.7

