



US00D612865S

(12) **United States Design Patent**
Zhang

(10) **Patent No.:** **US D612,865 S**

(45) **Date of Patent:** **** *Mar. 30, 2010**

(54) **PORTABLE DVD/DIGITAL MEDIA PLAYER**

(75) Inventor: **Yongde Zhang**, Guang Dong (CN)

(73) Assignee: **Coby Electronics Corporation**, Lake Success, NY (US)

(*) Notice: This patent is subject to a terminal disclaimer.

(**) Term: **14 Years**

(21) Appl. No.: **29/304,999**

(22) Filed: **Mar. 11, 2008**

Related U.S. Application Data

(62) Division of application No. 29/250,600, filed on Nov. 22, 2006, now Pat. No. Des. 567,818.

(51) **LOC (9) Cl.** **14-01**

(52) **U.S. Cl.** **D14/496**

(58) **Field of Classification Search** D14/135-136, D14/156, 167-168, 217, 496, 401; 345/156, 345/168, 173-179, 905, 169; 455/11.1, 7, 455/73, 344-351, 93-95; 370/342-344; 369/1, 2, 6, 12; 463/43-47; 273/48 B
See application file for complete search history.

(56) **References Cited**

U.S. PATENT DOCUMENTS

D430,169 S *	8/2000	Scibora	D14/496
D446,203 S *	8/2001	Arpe	D14/156
D455,793 S *	4/2002	Lin	D14/496
D478,887 S *	8/2003	Jerome	D14/156
D480,376 S	10/2003	Ma		
6,711,005 B2	3/2004	Martin		
D489,322 S	5/2004	Sawai et al.		
6,825,832 B2 *	11/2004	Chung et al.	345/168
6,926,130 B2	8/2005	Skowronski		

D514,122 S *	1/2006	Rodarte	D14/136
D523,847 S	6/2006	Naruki		
D532,402 S	11/2006	Lee		
D532,403 S	11/2006	Lee		
D532,404 S	11/2006	Lee		
D532,768 S	11/2006	Lee		
D539,304 S	3/2007	Lee		
D540,775 S	4/2007	Zhang		
D540,815 S	4/2007	Zhang		
D562,346 S	2/2008	Lee		

* cited by examiner

Primary Examiner—Nanda Bondade

(74) *Attorney, Agent, or Firm*—Mayer Brown LLP

(57) **CLAIM**

The ornamental design of a portable DVD/digital media player, as shown and described.

DESCRIPTION

A portion of this patent document contains material which is subject to copyright protection. The copyright owner has no objection to the facsimile reproduction by anyone of the patent document or the patent disclosure, as it appears in the Patent and Trademark Office patent files or records, but otherwise reserves all copyrights whatsoever.

FIG. 1 is a perspective view of a portable DVD/digital media player showing my new design;

FIG. 2 is a front view thereof;

FIG. 3 is a rear view thereof;

FIG. 4 is a left side view thereof;

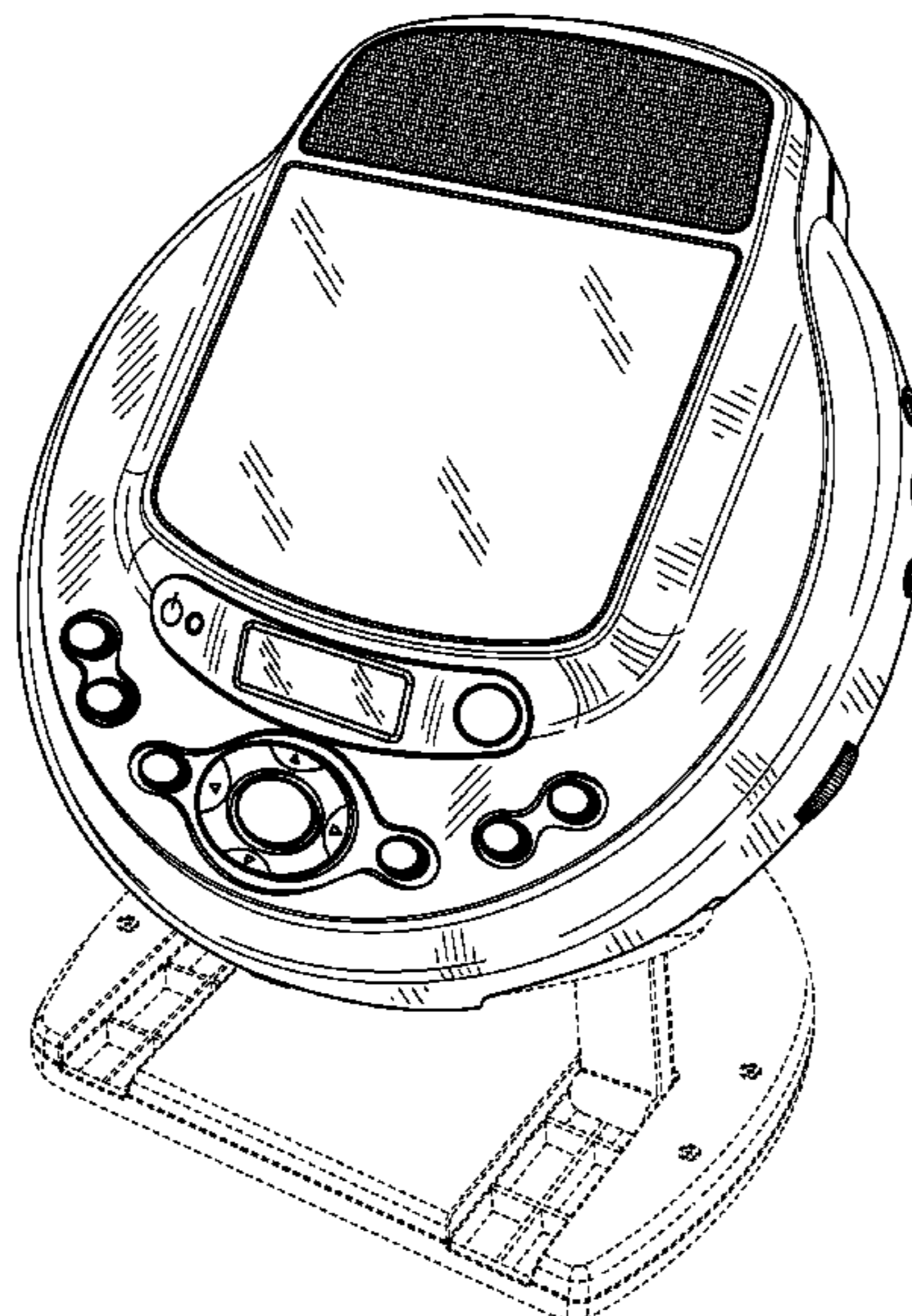
FIG. 5 is a right side view thereof;

FIG. 6 is a top view thereof; and,

FIG. 7 is a bottom view thereof.

The Broken line showings throughout the views are for illustrative purposes only and form no part of the claimed design.

1 Claim, 7 Drawing Sheets



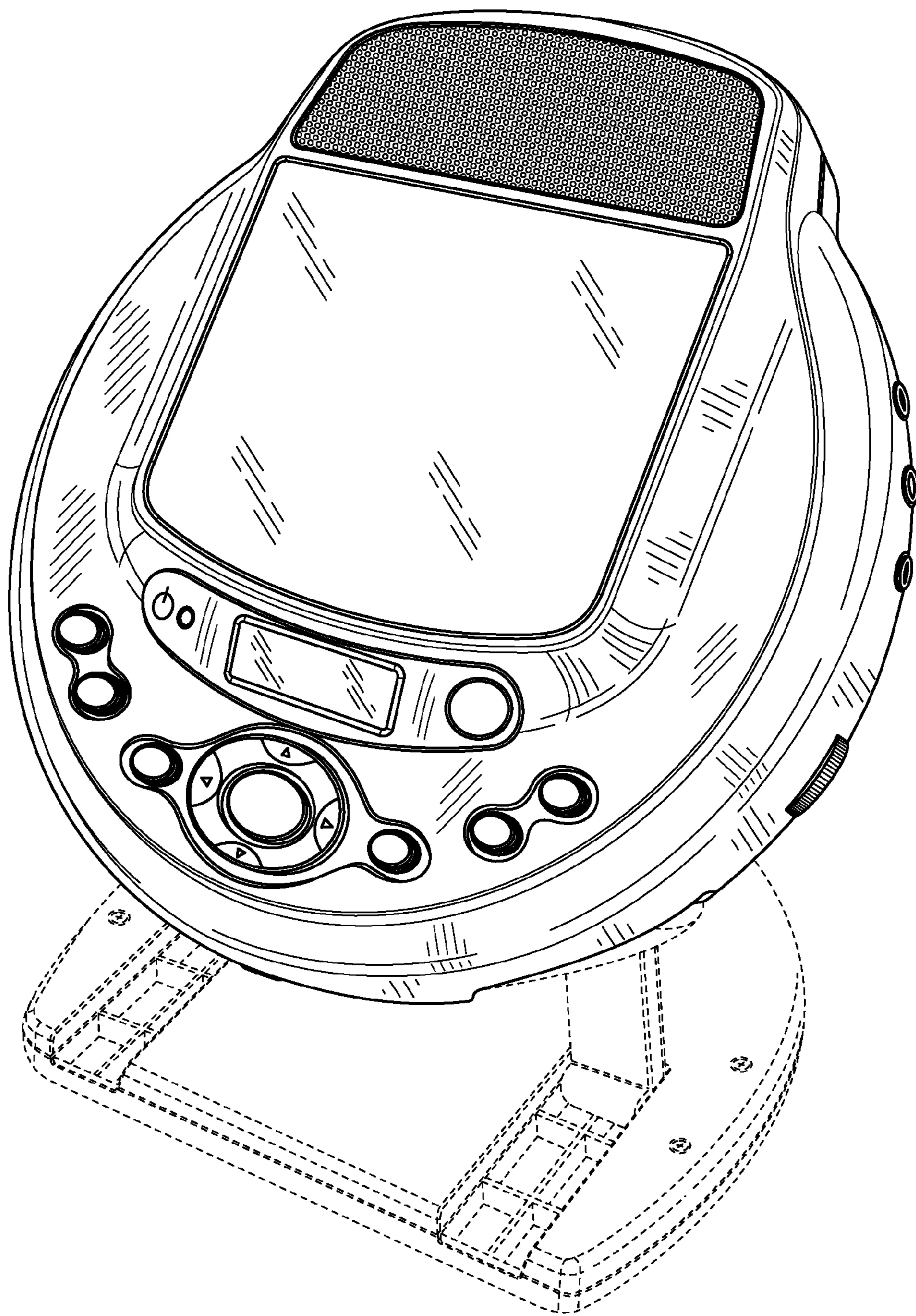


FIG. 1

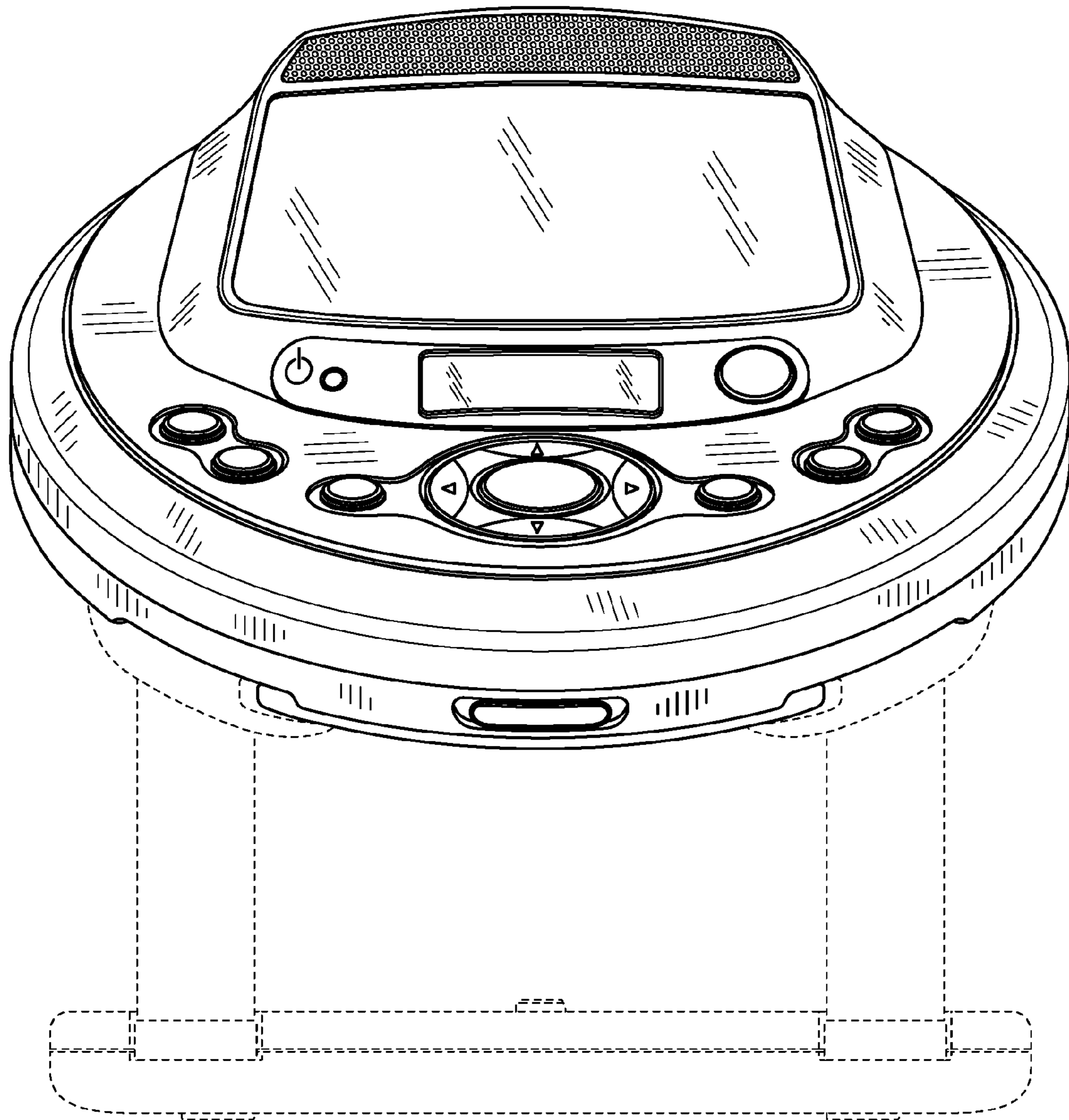


FIG. 2

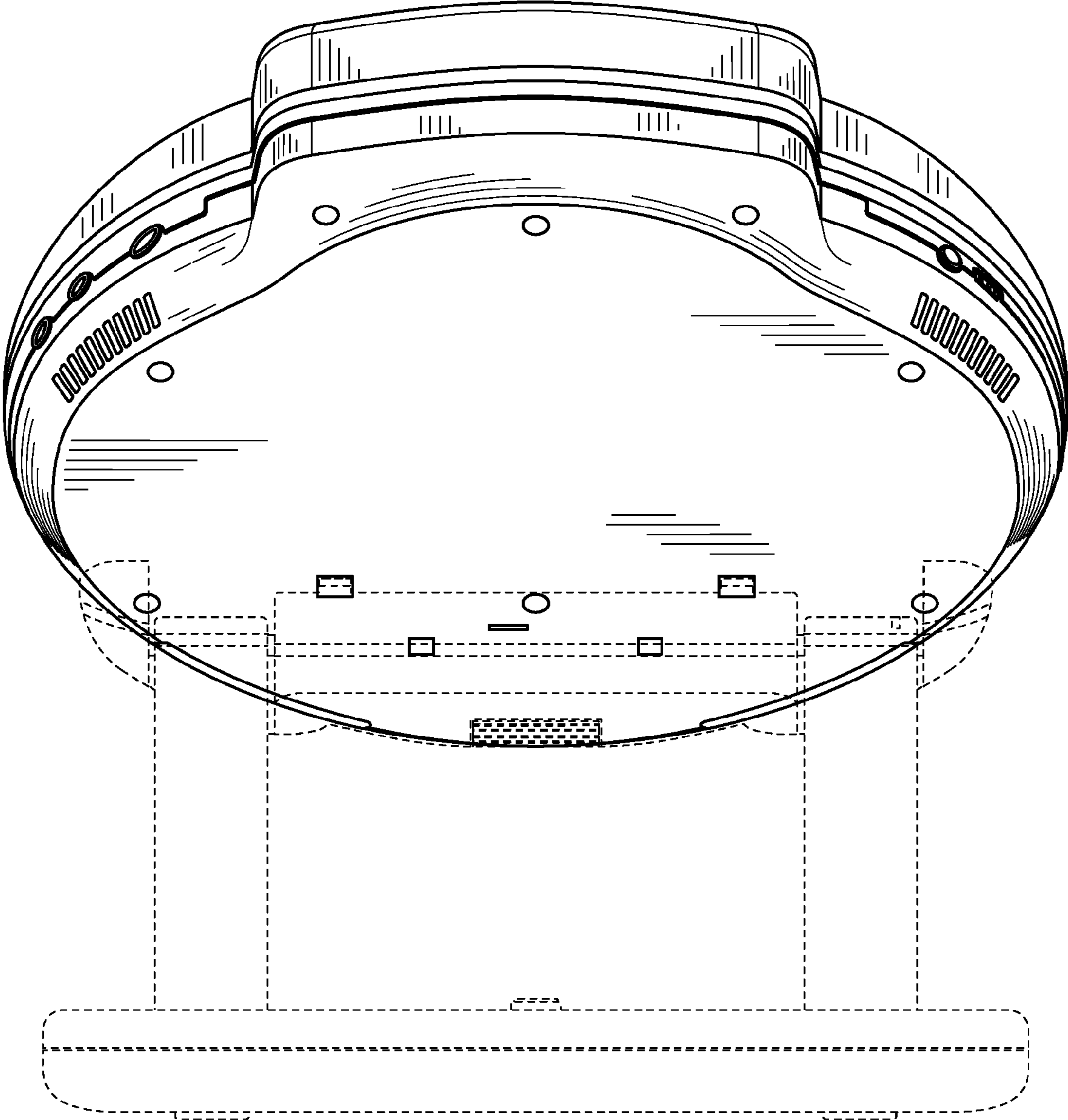


FIG. 3

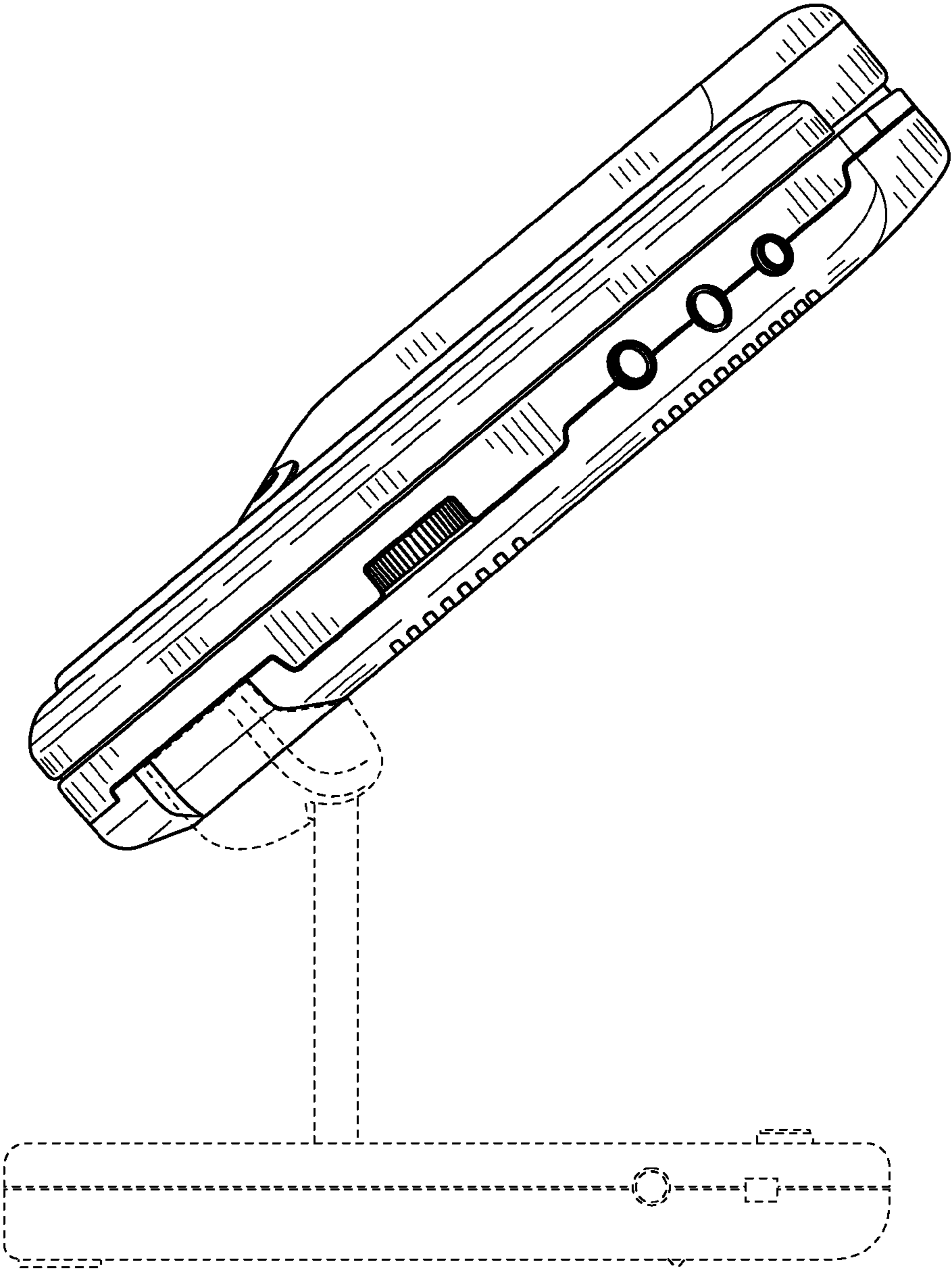


FIG. 4

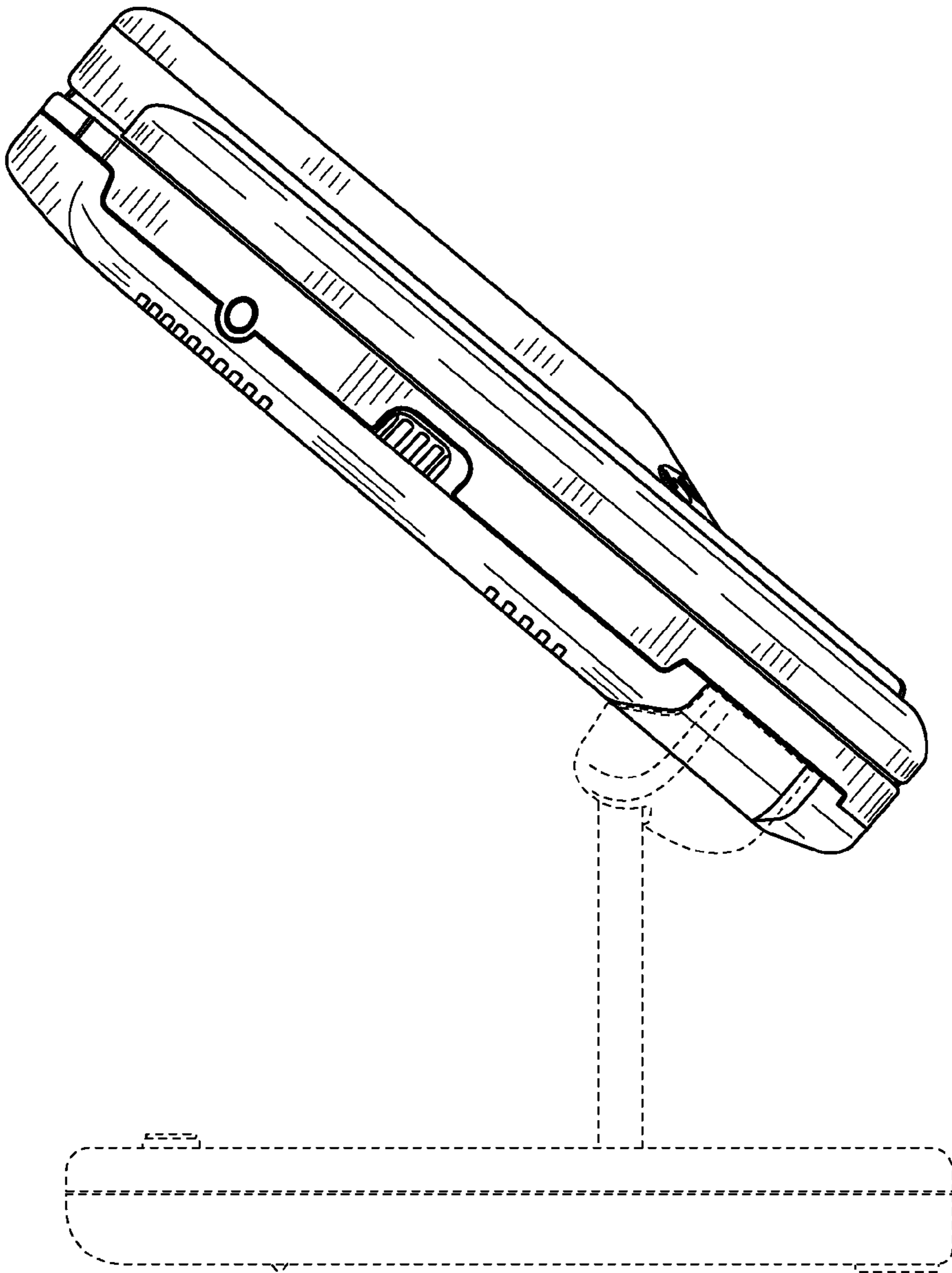


FIG. 5

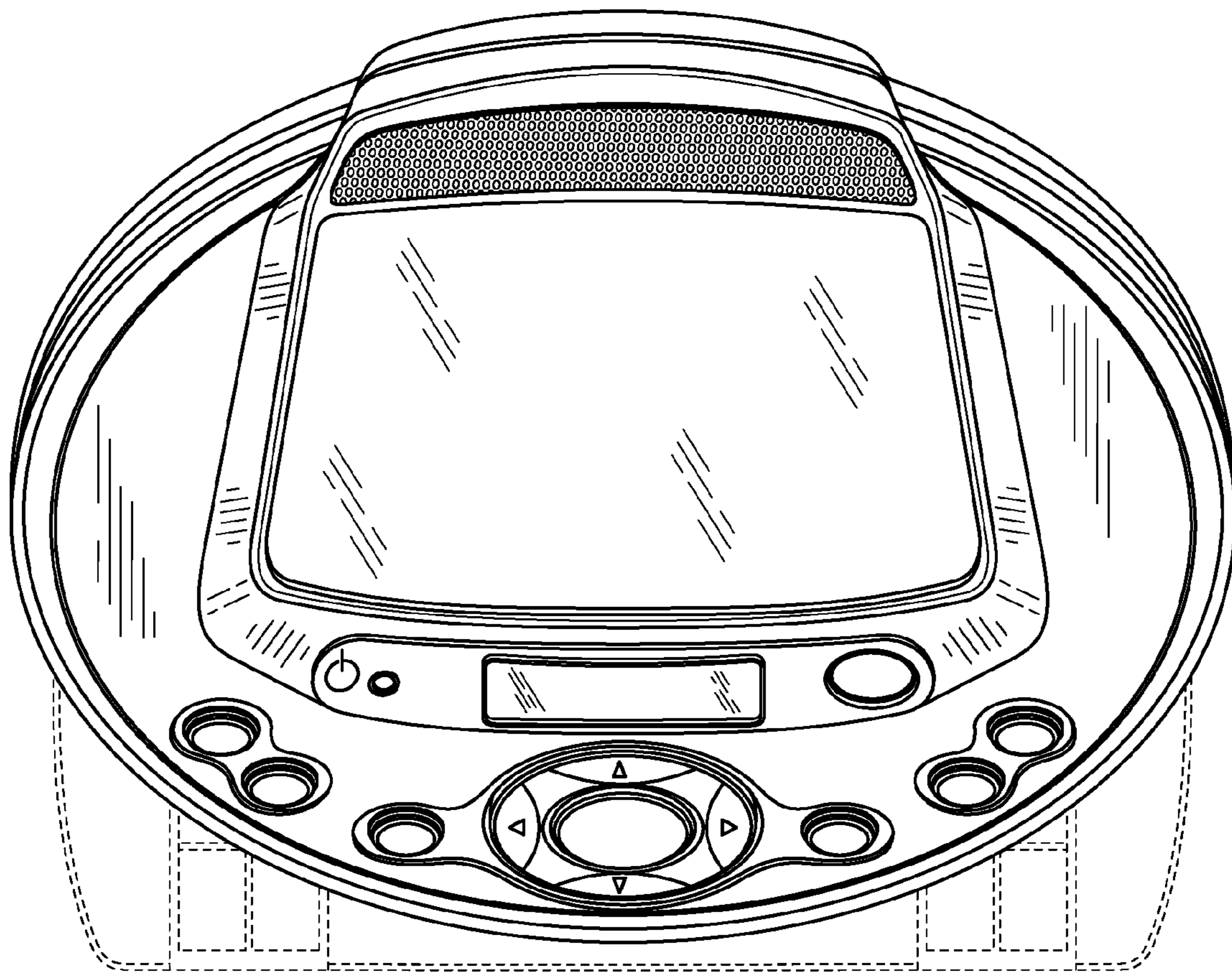


FIG. 6

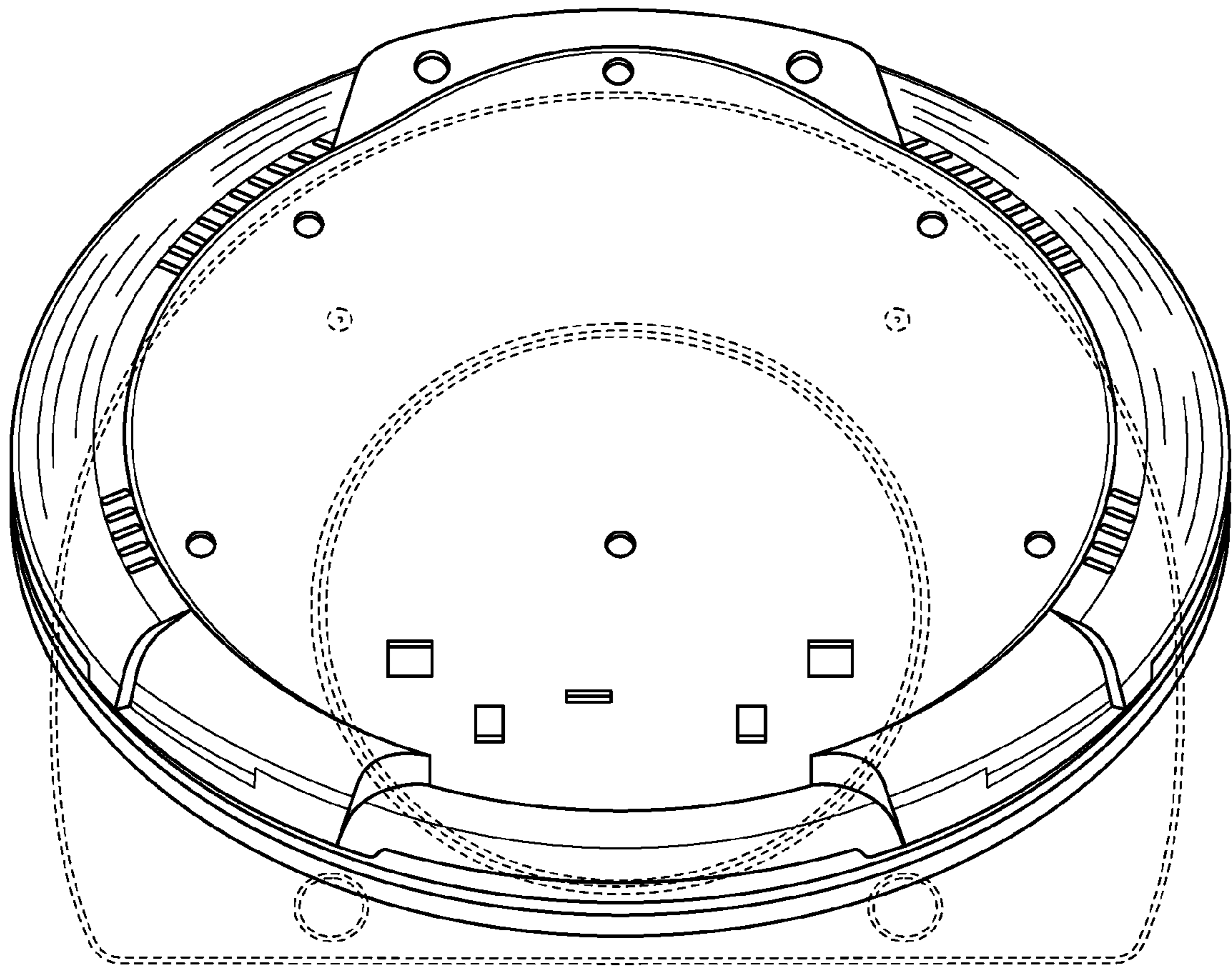


FIG. 7