



US00D612859S

(12) **United States Design Patent**
Bridge et al.

(10) **Patent No.:** **US D612,859 S**
(45) **Date of Patent:** **** Mar. 30, 2010**

(54) **MEMORY CARD READER**

(75) Inventors: **Joel Bridge**, London (GB); **Frank Nuovo**, Los Angeles, CA (US)

(73) Assignee: **Nokia Corporation**, Espoo (FI)

(**) Term: **14 Years**

(21) Appl. No.: **29/334,129**

(22) Filed: **Mar. 20, 2009**

(51) **LOC (9) Cl.** **14-99**

(52) **U.S. Cl.** **D14/480.5; D14/385**

(58) **Field of Classification Search** D14/411,
D14/433, 435.1, 436, 137, 155, 167, 168,
D14/203.1-203.8, 240, 242, 299, 480.1-480.7,
D14/484.1; D3/203, 273; D13/107, 108,
D13/149, 184; 710/300, 301; 439/131, 135-147;
D19/36-37, 41-51, 54-57; 401/99-100,
401/104-109, 192, 195, 52; 345/179; 24/11 R,
24/11 H, 11 F, 11 P

See application file for complete search history.

(56) **References Cited**

U.S. PATENT DOCUMENTS

D104,711 S *	5/1937	Weston	D13/103
D333,676 S *	3/1993	Bedol	D19/36
D462,689 S *	9/2002	Moran	D14/433
D486,829 S *	2/2004	Wang et al.	D14/433
D514,560 S *	2/2006	Brown et al.	D14/480.5
D521,509 S *	5/2006	Chen	D14/480.5
D551,666 S *	9/2007	Mattes et al.	D14/356
D556,762 S *	12/2007	Hsiau	D14/435
D573,639 S *	7/2008	Qiu et al.	D19/43
2009/0124104 A1 *	5/2009	Zhu et al.	439/131

OTHER PUBLICATIONS

Biometric USB Flash Drive, [online], [retrieved on Nov. 16, 2006]. Retrieved from the Internet <URL: <http://img.alibaba.com/photo/>

11361682/BUFD_C1_Chip_Sensor_Type_Biometric_USB_Flash_Drive.jpg>.*
Microsoft USB 2.0, [online], [retrieved on Oct. 4, 2006]. Retrieved from the Internet <URL: http://www.motivators.com/viewlarge.asp?img=http://www.motivators.com/resize.asp?path=products/USB_1GB.jpg&v=1>.*
BuyPromos, LLC., [online], [retrieved on Dec. 6, 2006]. Retrieved from the Internet <URL: <http://buypromosllc.corpkeystore.com/execstr/prodView.asp?idproduct=60>>.*
mtrust ready USB drives, [online], [retrieved on Jan. 22, 2007]. Retrieved from the Internet <URL: <http://www.m-systems.com/mtrust>>.*

* cited by examiner

Primary Examiner—Cathron C Brooks

Assistant Examiner—Karen E Kearney

(74) *Attorney, Agent, or Firm*—Banner & Witcoff, Ltd.

(57) **CLAIM**

The ornamental design for a memory card reader, as shown and described.

DESCRIPTION

FIG. 1 is a perspective front view of a memory card reader showing my new design;

FIG. 2 is a front view thereof;

FIG. 3 is a right side view thereof;

FIG. 4 is a left side view thereof;

FIG. 5 is a top view thereof;

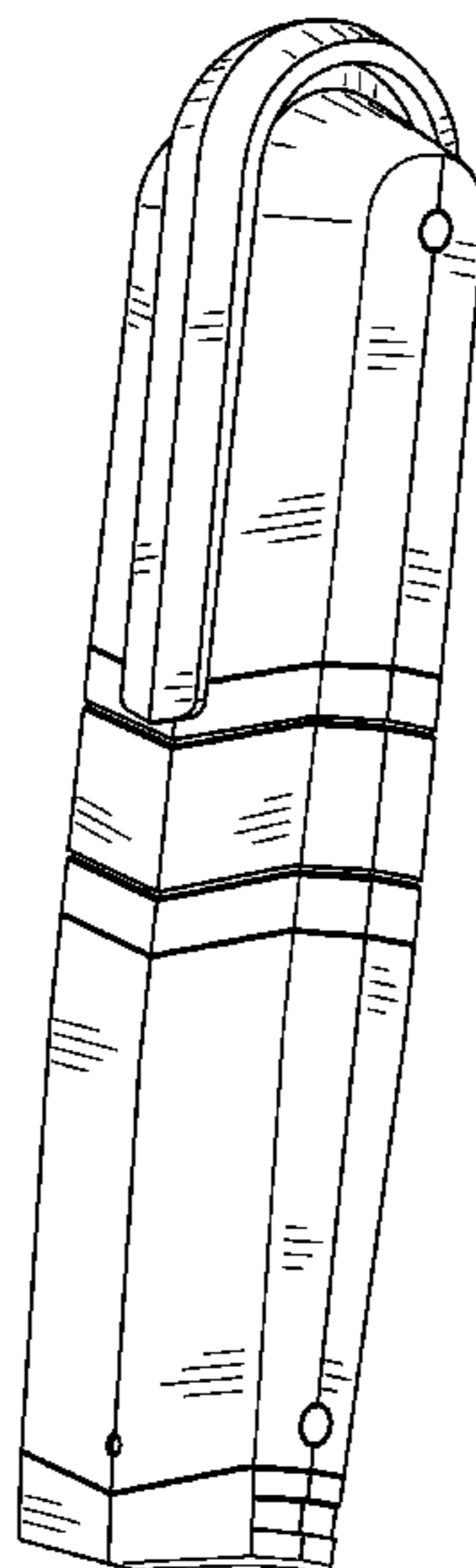
FIG. 6 is a bottom view thereof;

FIG. 7 is a rear perspective view thereof; and,

FIG. 8 is a rear view thereof.

The broken lines shown in the drawings are for the purpose of illustrating unclaimed portions of the memory card reader, and form no part of the claimed design.

1 Claim, 6 Drawing Sheets



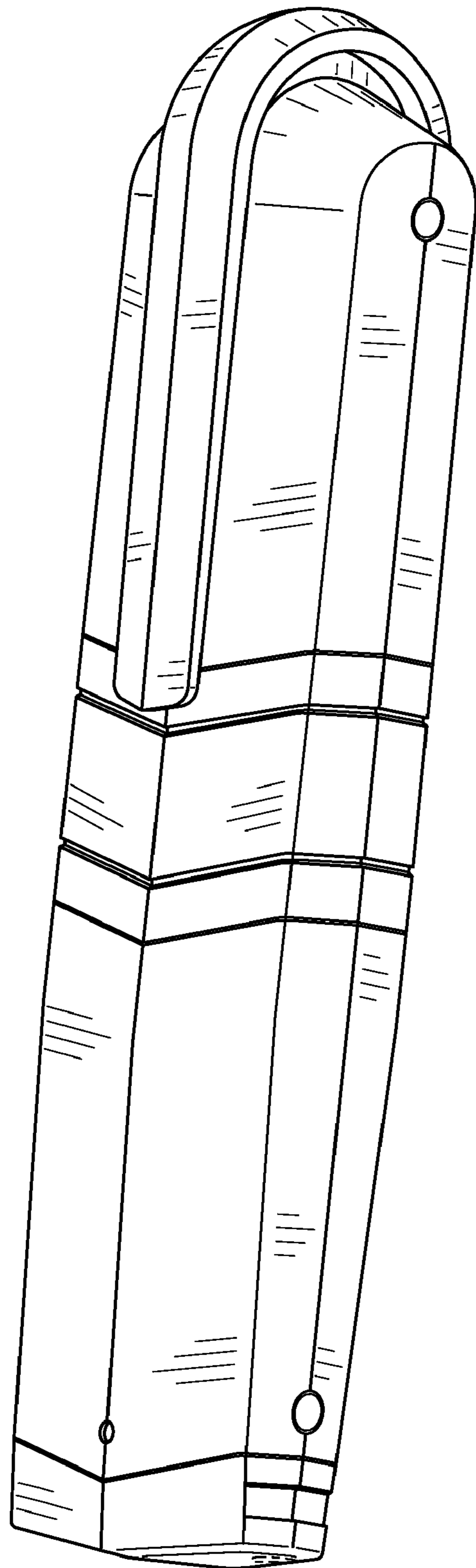


FIG. 1

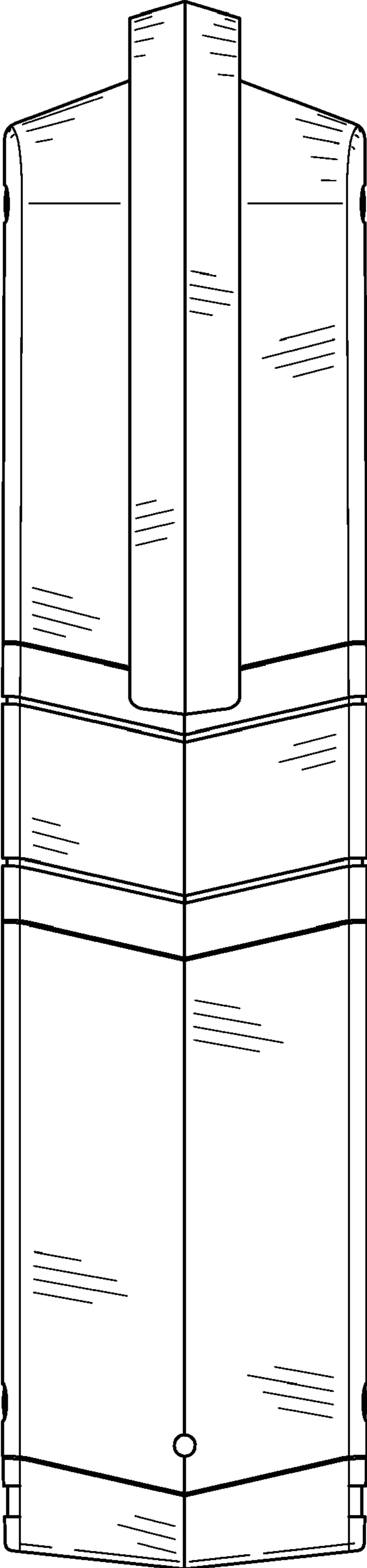


FIG. 2

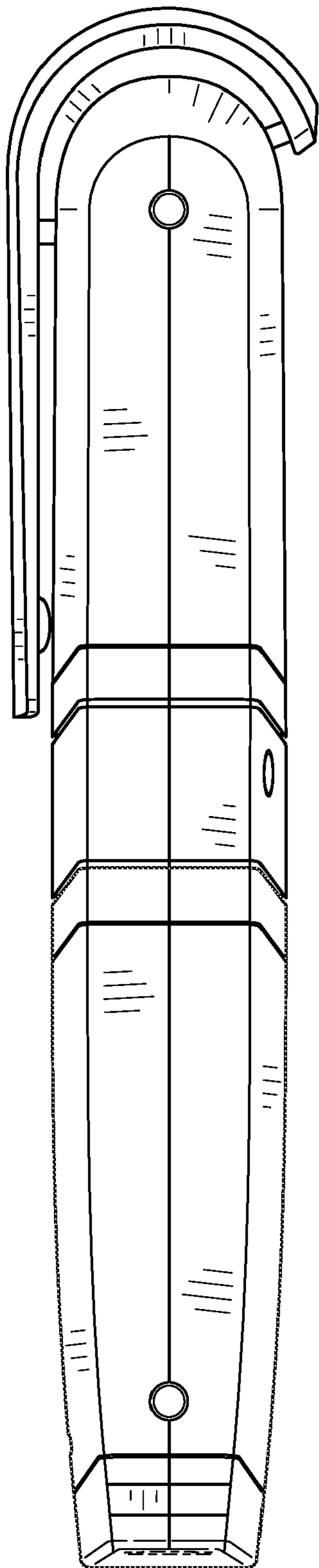


FIG. 3

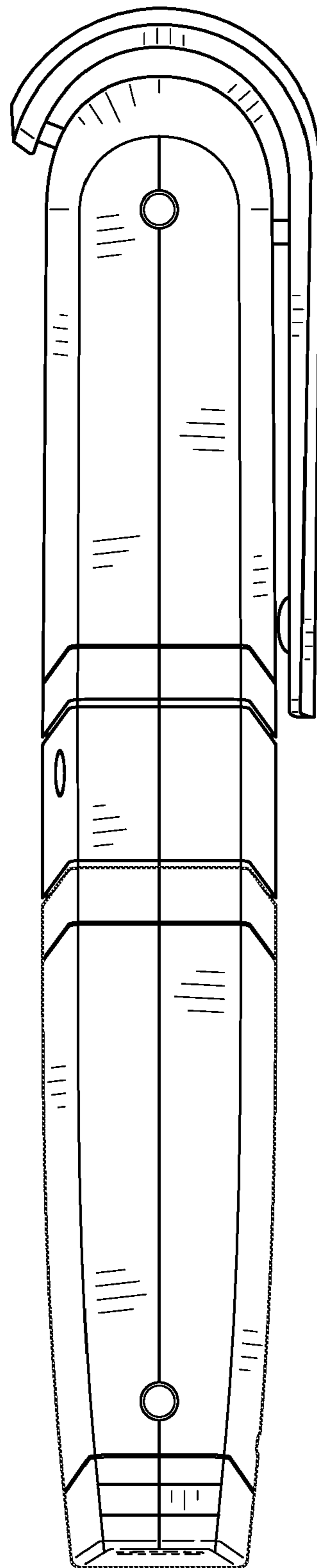


FIG. 4

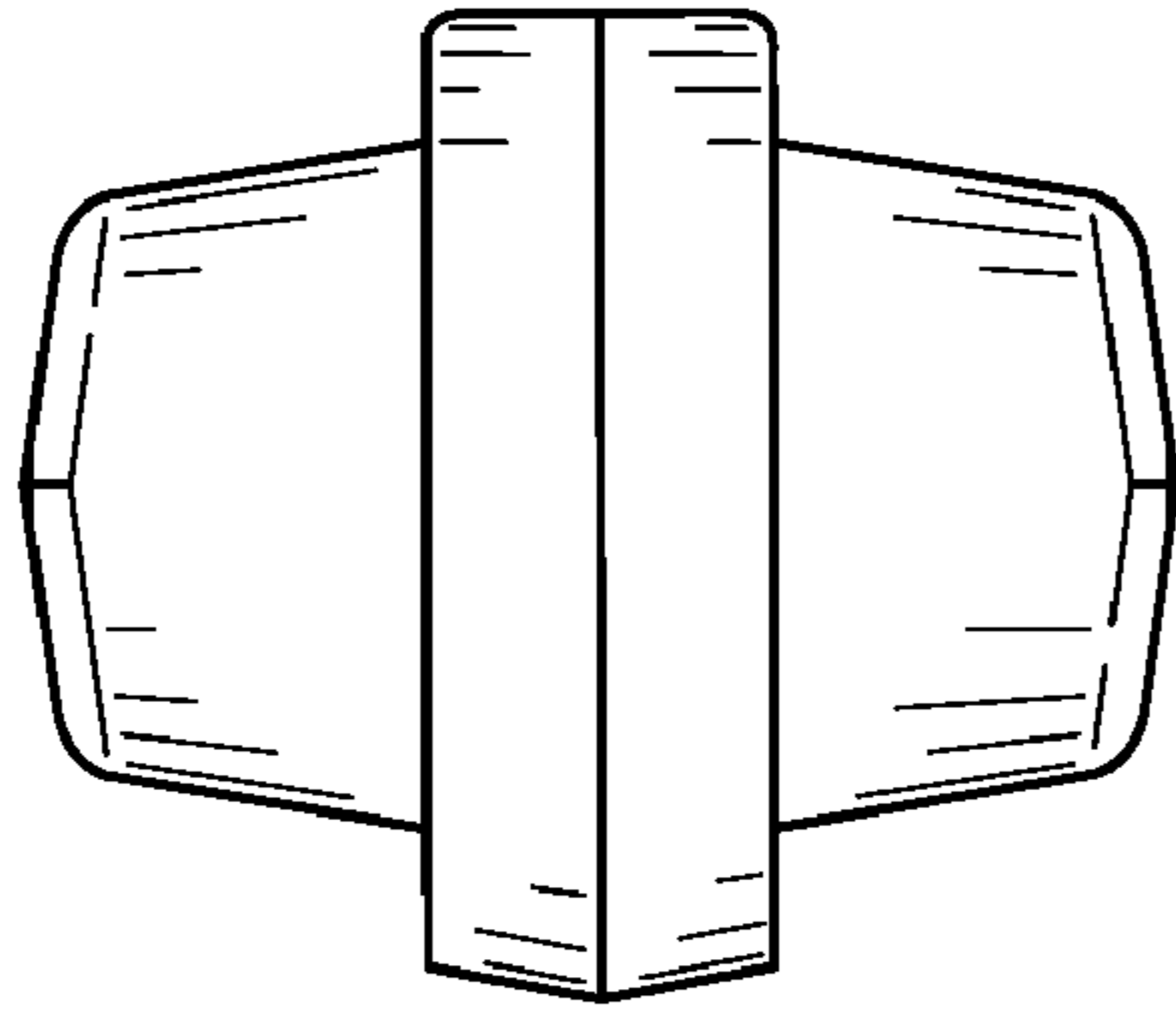


FIG. 5

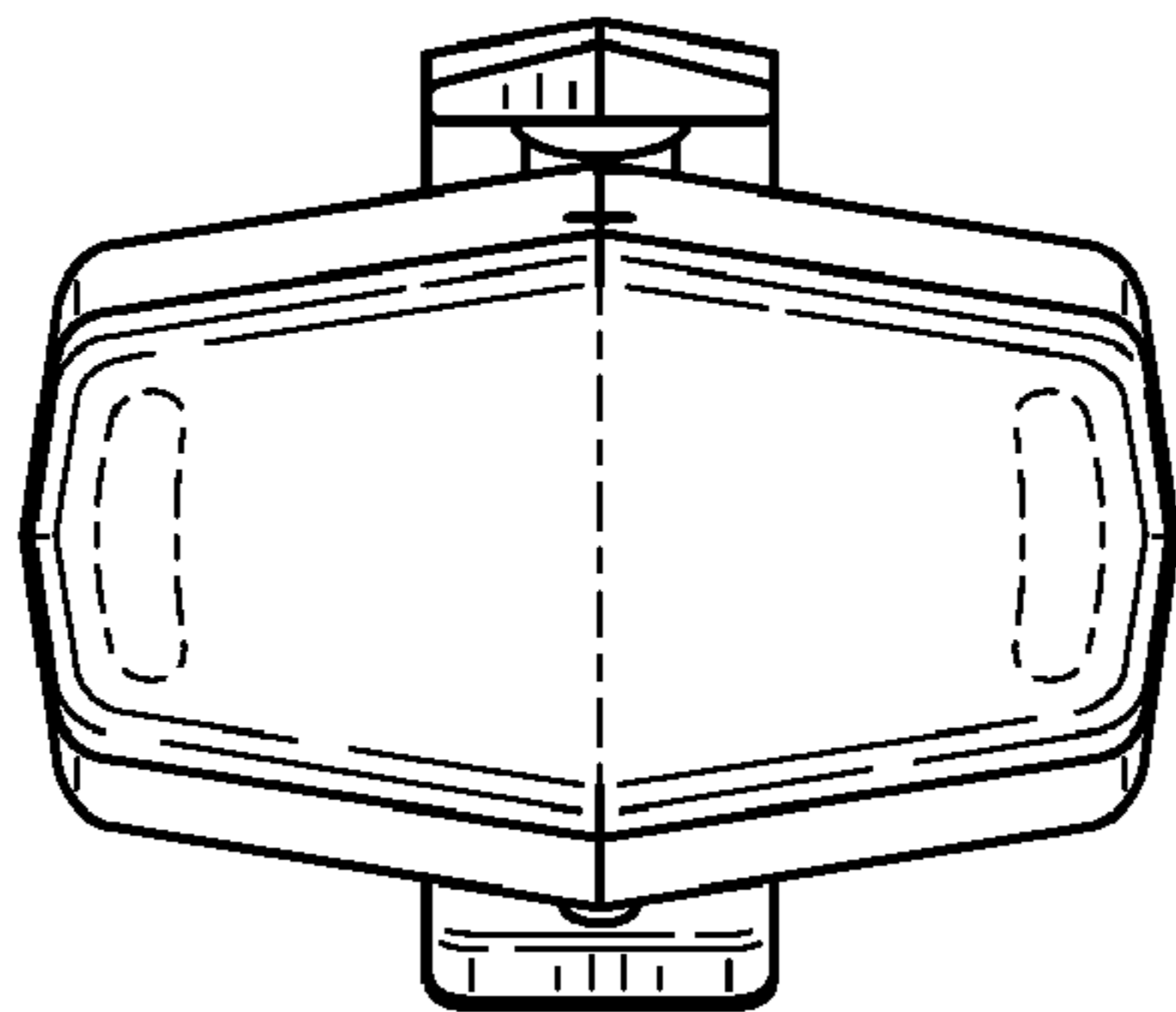


FIG. 6

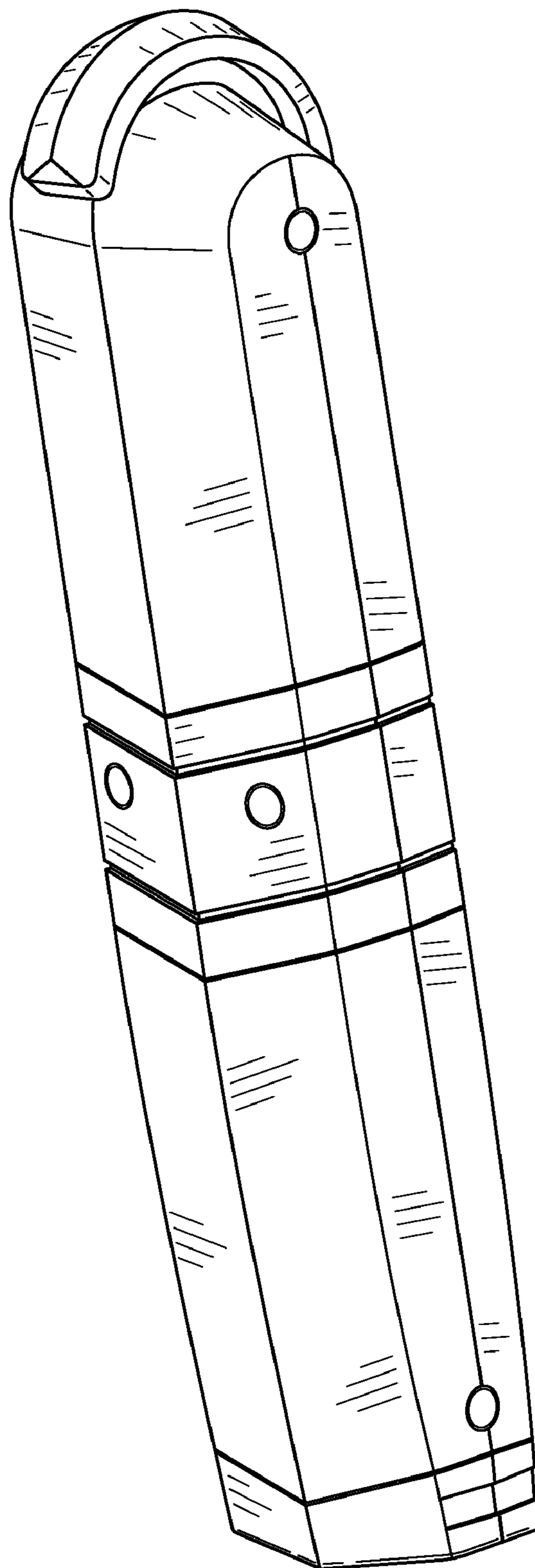


FIG. 7

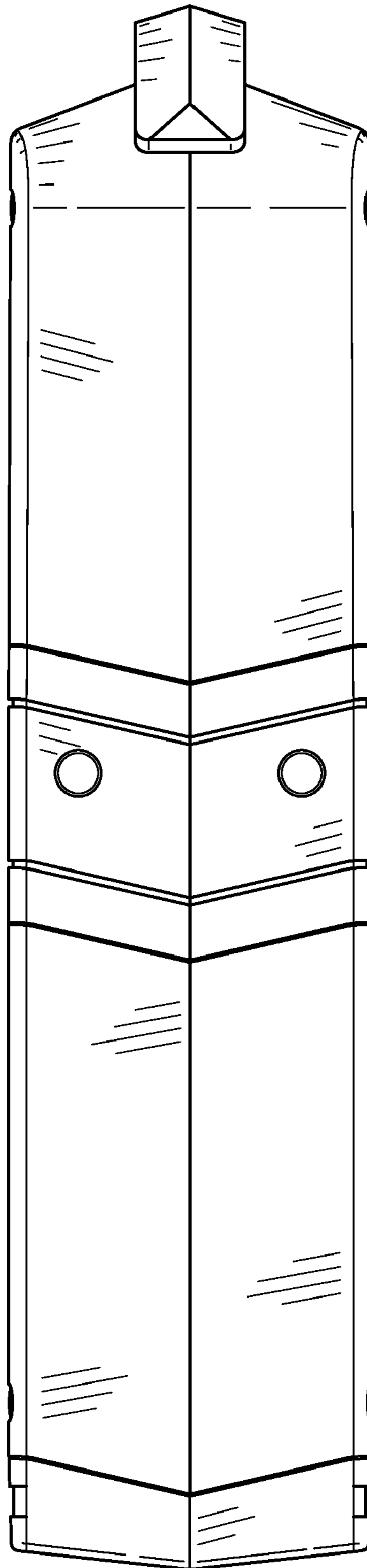


FIG. 8