



US00D612856S

(12) **United States Design Patent**
Wahl et al.

(10) **Patent No.:** **US D612,856 S**
(45) **Date of Patent:** **** Mar. 30, 2010**

(54) **CONNECTOR FOR A PERIPHERAL DEVICE**

(75) Inventors: **James Wahl**, Export, PA (US); **Chris Nightingale**, Wimbledon (GB)

(73) Assignee: **Vocollect Healthcare Systems, Inc.**, Pittsburgh, PA (US)

(**) Term: **14 Years**

(21) Appl. No.: **29/331,318**

(22) Filed: **Jan. 23, 2009**

Related U.S. Application Data

(63) Continuation-in-part of application No. 29/303,922, filed on Feb. 20, 2008, now Pat. No. Des. 585,896.

(51) **LOC (9) Cl.** **14-02**

(52) **U.S. Cl.** **D14/433**

(58) **Field of Classification Search** D14/356-358, D14/383-385, 432-439, 442, 447, 451, 453, D14/474, 155, 217, 242, 299; D13/107, D13/108, 118, 120, 123, 133, 146, 147, 154, D13/158, 182, 184, 199; 361/679, 685, 686, 361/724-728, 683, 639; 439/668, 669, 701, 439/660, 607, 296; 455/351, 353, 325

See application file for complete search history.

(56) **References Cited**

U.S. PATENT DOCUMENTS

1,753,317 A	4/1930	Rothen
2,170,287 A	8/1939	Kinnebrew
2,369,860 A	2/1945	Schroeder
2,741,194 A	4/1956	Dorey

(Continued)

FOREIGN PATENT DOCUMENTS

DE 4111049 10/1991

OTHER PUBLICATIONS

Vocollect, *Wearable Computers Talkman & 2x Wearable Computer*, product brochure Sep. 2005 (4 pages).

(Continued)

Primary Examiner—Cathron C Brooks

Assistant Examiner—Deanna Fluegeman

(74) *Attorney, Agent, or Firm*—Wood, Herron & Evans, LLP

(57) **CLAIM**

The ornamental design for a connector for a peripheral device, as shown and described.

DESCRIPTION

FIG. 1 is a front perspective view of the invention, with broken lines showing a mobile device to which the connector of the invention is connected;

FIG. 2 is another perspective view of the invention of FIG. 1;

FIG. 3 is a front elevational view of the invention of FIG. 2;

FIG. 4 is a rear elevational view of FIG. 2;

FIG. 5 is a right side elevational view of FIG. 2;

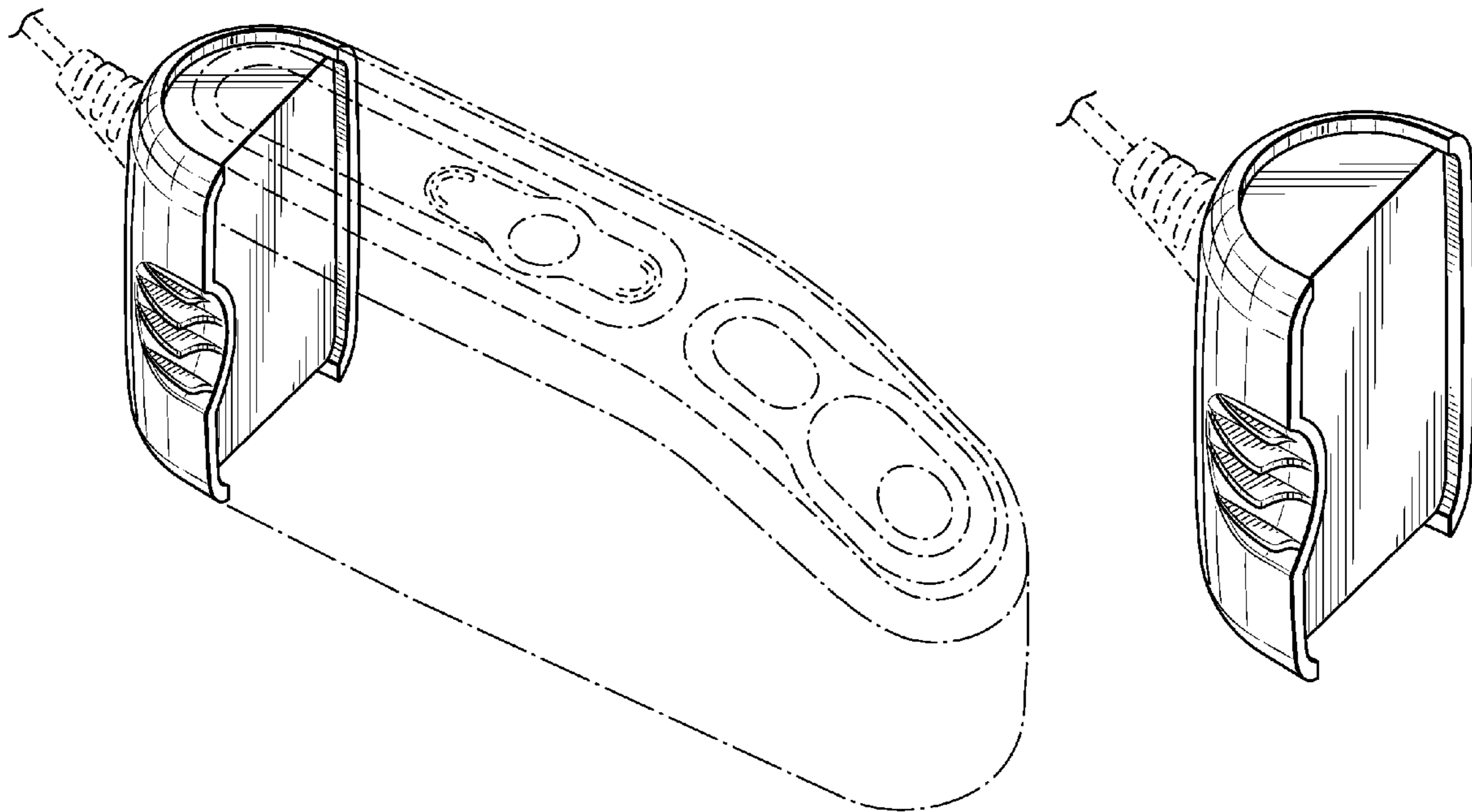
FIG. 6 is a left side elevational view of FIG. 2;

FIG. 7 is a top view of FIG. 2; and,

FIG. 8 is a bottom view of FIG. 2.

The broken line showing of the mobile device and other features in the Figures is included for the purpose of illustrating environmental structure and forms no part of the claimed design. The portions of the connector for a peripheral devices illustrated in broken lines form no part of the claimed design.

1 Claim, 2 Drawing Sheets



US D612,856 S

Page 2

U.S. PATENT DOCUMENTS

3,363,214 A	1/1968	Wright	6,062,891 A	5/2000	Villiers
3,781,039 A	12/1973	Edwards et al.	D426,190 S	6/2000	Higgins
3,786,397 A	1/1974	Bridges	6,086,428 A	7/2000	Pharney et al.
3,808,577 A	4/1974	Mathauser	6,089,923 A	7/2000	Phommachanh
3,964,771 A	6/1976	Baudouin	6,120,329 A	9/2000	Steinman
D240,433 S	7/1976	Krapowicz	6,149,451 A	11/2000	Weber
4,068,913 A	1/1978	Stanger	6,155,881 A	12/2000	Arnett et al.
4,558,864 A	12/1985	Medwedeff	D438,169 S	2/2001	Minagawa et al.
D285,439 S	9/1986	Nagele	6,186,834 B1	2/2001	Arnett et al.
4,619,491 A	10/1986	Drogo	6,186,836 B1	2/2001	Ezawa
4,620,760 A	11/1986	Duncan	6,213,808 B1	4/2001	Whatmore
4,649,332 A	3/1987	Bell	6,226,622 B1	5/2001	Dabbieri
4,698,717 A	10/1987	Scheid	6,231,397 B1	5/2001	de la Borbolla et al.
4,846,714 A	7/1989	Welsby	6,237,051 B1	5/2001	Collins
4,874,316 A	10/1989	Kamon et al.	6,280,256 B1	8/2001	Belopolsky
D310,367 S	9/1990	Dockery	6,290,529 B1	9/2001	Tsurumaru et al.
5,024,604 A	6/1991	Savin	6,290,546 B1	9/2001	Pharney
5,052,943 A	10/1991	Davis	6,304,436 B1	10/2001	Branch et al.
5,186,647 A	2/1993	Denkmann et al.	6,310,888 B1	10/2001	Hamlin
5,187,645 A	2/1993	Spalding et al.	6,339,764 B1	1/2002	Livesay et al.
D336,417 S	6/1993	Yuen	6,346,010 B1	2/2002	Emplit
5,269,708 A	12/1993	DeYoung	6,361,354 B1	3/2002	Viklund
5,299,956 A	4/1994	Brownell et al.	D455,431 S	4/2002	Freitag et al.
5,310,363 A	5/1994	Brownell	6,364,675 B1	4/2002	Brauer
5,326,284 A	7/1994	Bohbot	6,366,450 B1	4/2002	Janicek
5,341,419 A	8/1994	Ferry	6,368,144 B2	4/2002	Viklund
5,362,257 A	11/1994	Neal et al.	6,409,547 B1	6/2002	Reede
5,371,679 A	12/1994	Abe et al.	D460,761 S	7/2002	Croley
5,393,239 A	2/1995	Ursich	D463,359 S	9/2002	Nawrozki
5,399,102 A	3/1995	Devine	6,443,777 B1	9/2002	McCurdy et al.
5,399,107 A	3/1995	Gentry	6,454,608 B1	9/2002	Kitahara
5,414,393 A	5/1995	Rose	D465,223 S	11/2002	Milan
5,432,484 A	7/1995	Klas	6,483,698 B1	11/2002	Loh
5,456,611 A	10/1995	Henry	D469,761 S	2/2003	Nussberger
5,462,452 A	10/1995	Devine	D473,515 S	4/2003	Salazar et al.
5,478,252 A	12/1995	Lecomte	D474,736 S	5/2003	Sagawa
5,480,313 A	1/1996	d'Alayer de Costemore d'Arc	D476,359 S	6/2003	Mittler
D368,260 S	3/1996	Oschmann	D476,376 S *	6/2003	Wintersteiger D21/329
5,501,571 A	3/1996	Van Durrett et al.	6,579,116 B2	6/2003	Brennan et al.
5,513,065 A	4/1996	Caveney et al.	D477,604 S	7/2003	Lin
5,517,683 A	5/1996	Collett	6,597,577 B1	7/2003	Tang et al.
5,547,405 A	8/1996	Pinney	D480,074 S	9/2003	Tuhkanen
5,586,914 A	12/1996	Foster	D481,674 S	11/2003	Sade
5,599,209 A	2/1997	Belopolsky	D487,470 S	3/2004	Cobigo
5,618,185 A	4/1997	Aekins	D491,186 S	6/2004	Arakaki et al.
5,639,256 A	6/1997	Endo et al.	6,786,743 B2	9/2004	Huang
5,647,770 A	7/1997	Belopolsky	6,910,911 B2	6/2005	Mellott et al.
5,657,459 A	8/1997	Yanagisawa et al.	6,910,922 B2	6/2005	Haga
5,665,485 A	9/1997	Kuwayama et al.	D507,794 S	7/2005	Wang
5,674,093 A	10/1997	Vaden	6,957,577 B1	10/2005	Firmin
5,687,478 A	11/1997	Belopolsky	D524,731 S	7/2006	Navarrez
5,697,817 A	12/1997	Bouchan	D525,581 S	7/2006	Rad
D391,937 S	3/1998	Rosen	D527,712 S	9/2006	Indio da Costa
5,759,070 A	6/1998	Belopolsky	D543,148 S	5/2007	Suckle
5,779,503 A	7/1998	Tremblay et al.	D554,642 S	11/2007	Suwalski et al.
5,803,750 A	9/1998	Purinton et al.	D562,761 S	2/2008	Ueda
5,864,089 A	1/1999	Rainal	D569,848 S	5/2008	Suzuki
D411,171 S	6/1999	Tai Muan	D571,289 S	6/2008	Michaeli
5,911,602 A	6/1999	Vaden	D572,230 S	7/2008	Neu et al.
5,913,702 A	6/1999	Garcin	D572,712 S *	7/2008	Ledbetter et al. D14/432
5,931,703 A	8/1999	Aekins	7,442,060 B2	10/2008	Suwalski
5,934,911 A	8/1999	Stout et al.	D583,827 S *	12/2008	Wahl D14/496
5,938,479 A	8/1999	Paulson	D585,896 S	2/2009	Wahl et al.
5,941,726 A	8/1999	Koegel	2005/0095899 A1	5/2005	Mellott et al.
5,941,729 A	8/1999	Sri-Jayantha			
5,984,709 A	11/1999	Zink et al.			
5,993,246 A	11/1999	Moldenhauer			
D420,325 S	2/2000	Sloey			
6,022,237 A	2/2000	Esh			
6,023,200 A	2/2000	Rhee			

OTHER PUBLICATIONS

Photographs of Vocollect Talkman T2x Wearable Computer (circa 2002)(2 pages).
 German Patent #DE4111049 with English Abstract attached (9 pages).

* cited by examiner

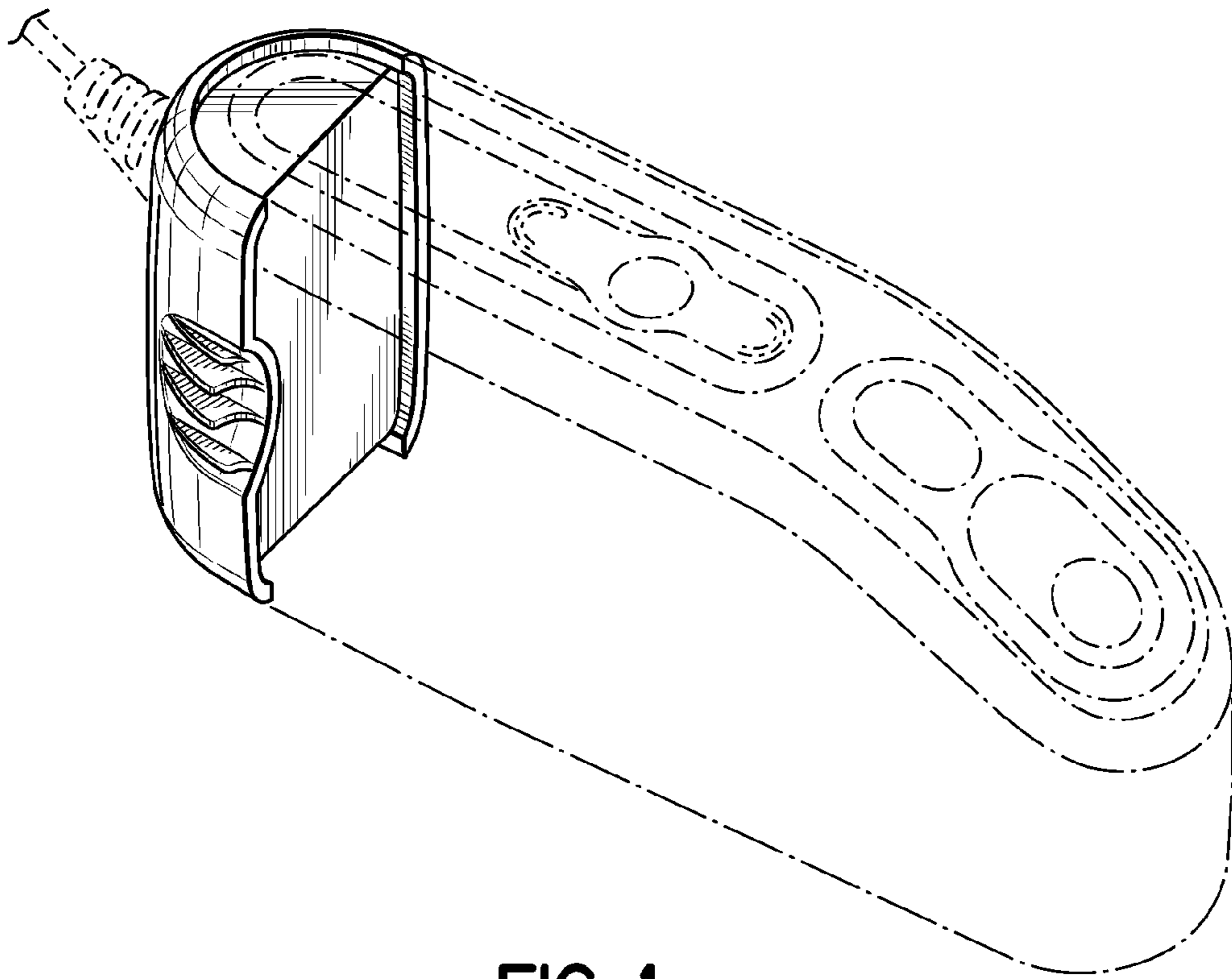


FIG. 1

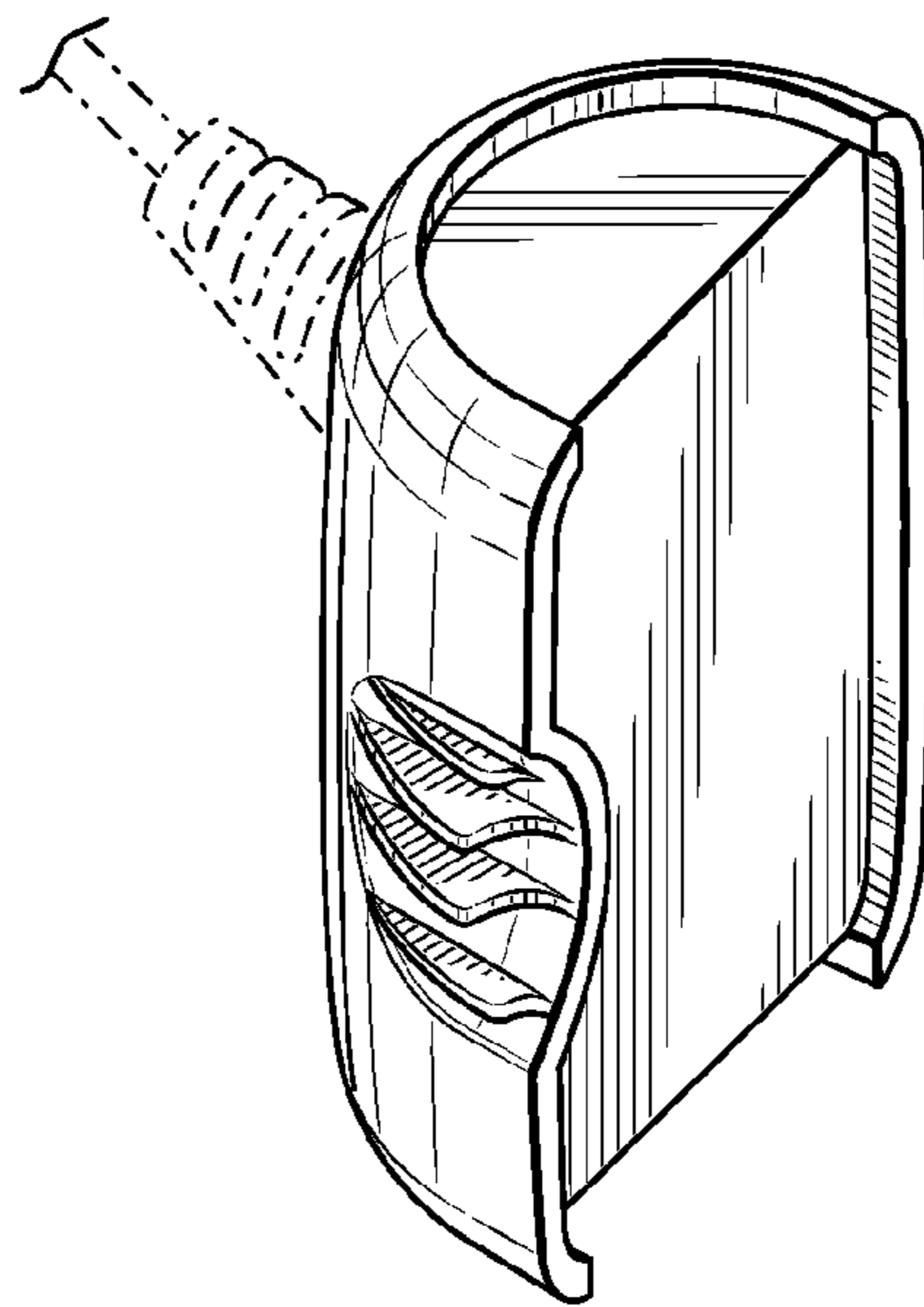


FIG. 2

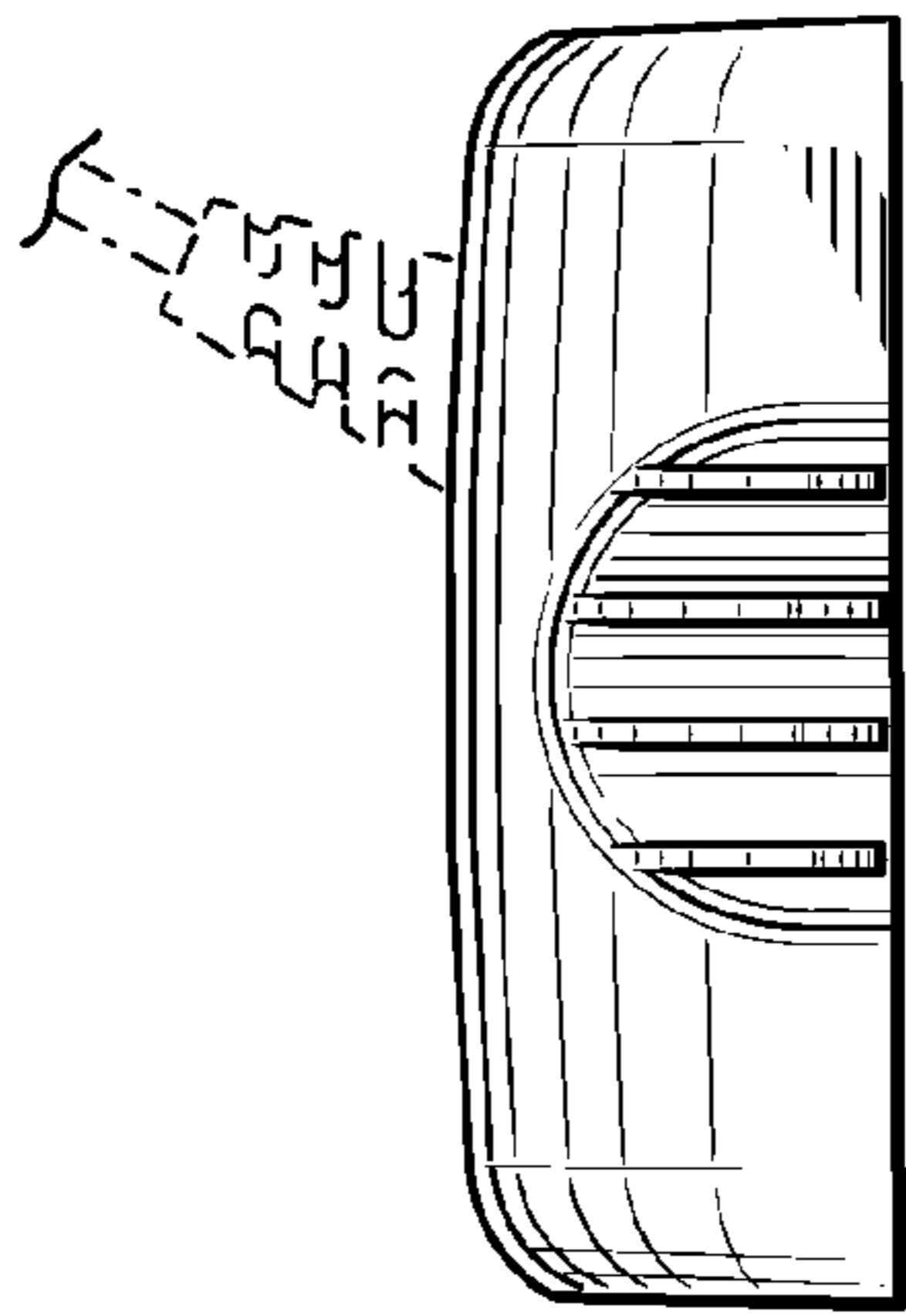


FIG. 3

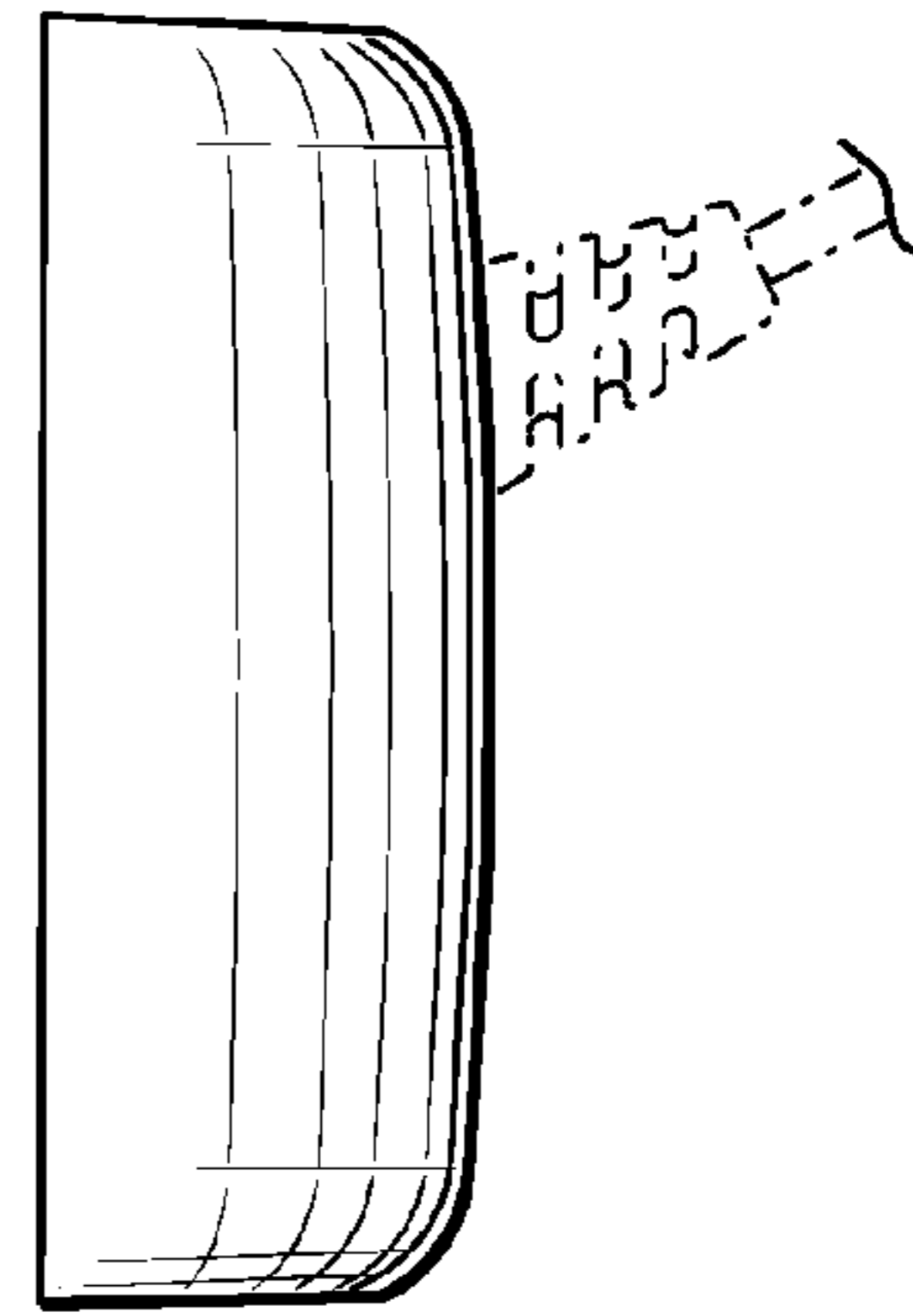


FIG. 4

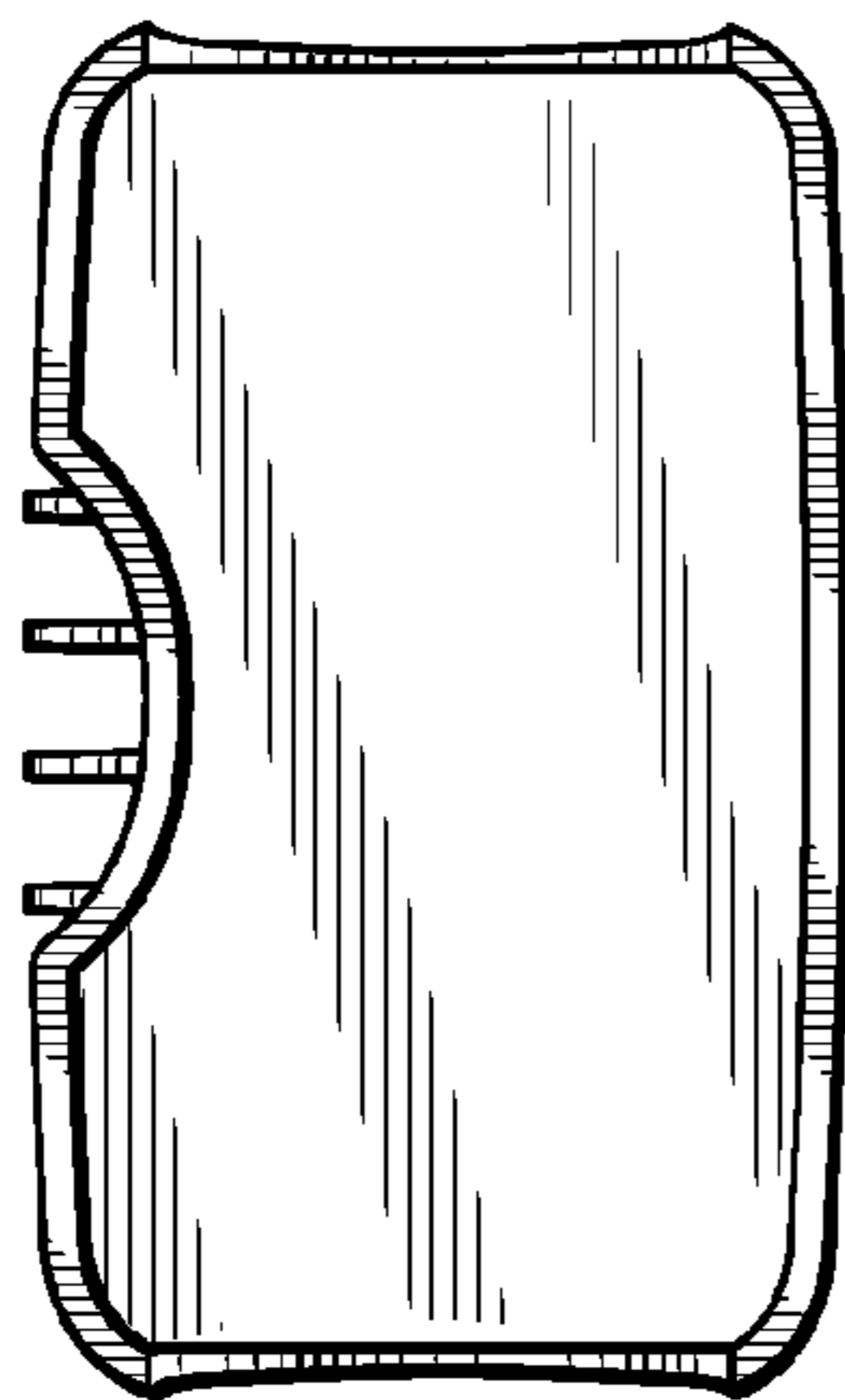


FIG. 5

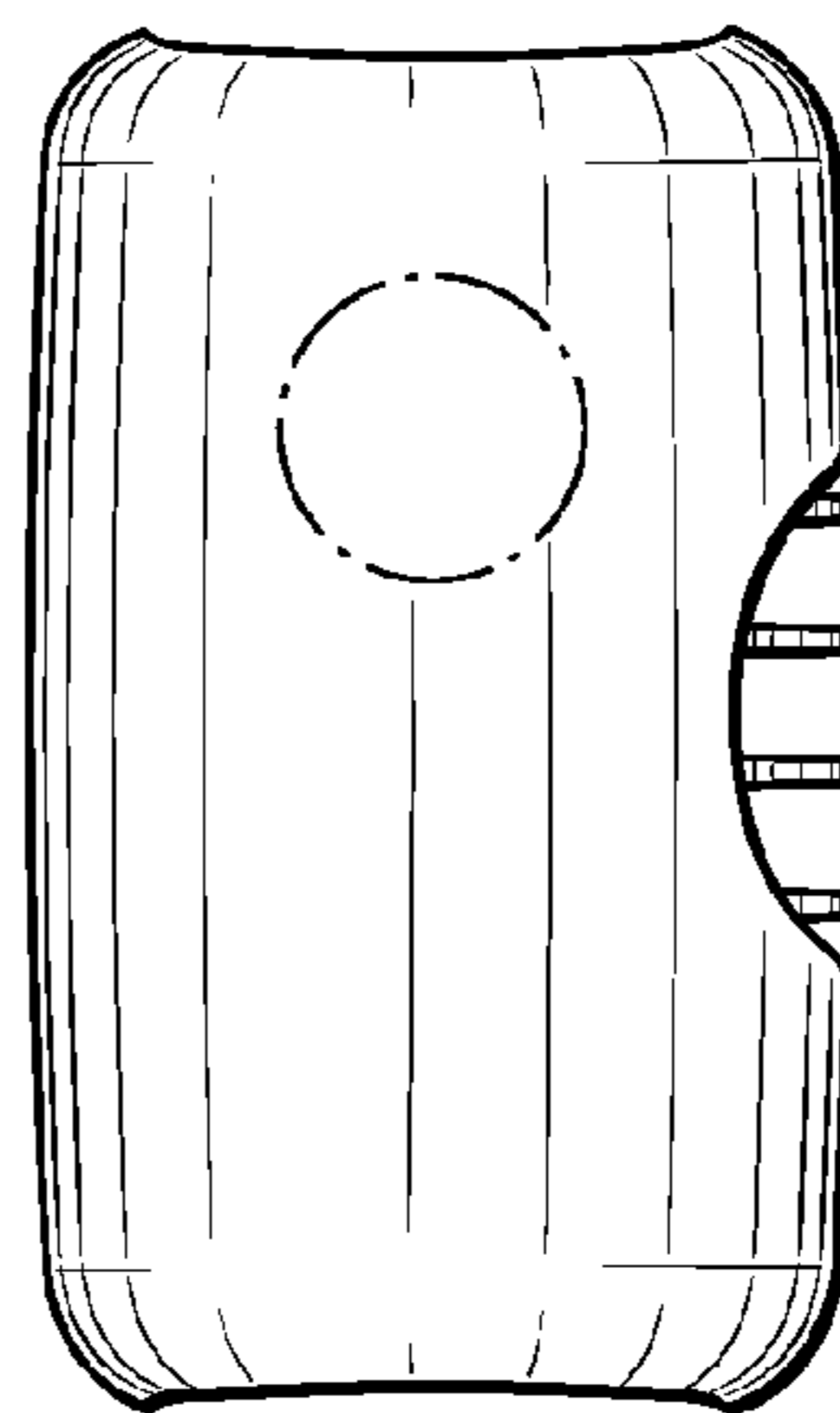


FIG. 6

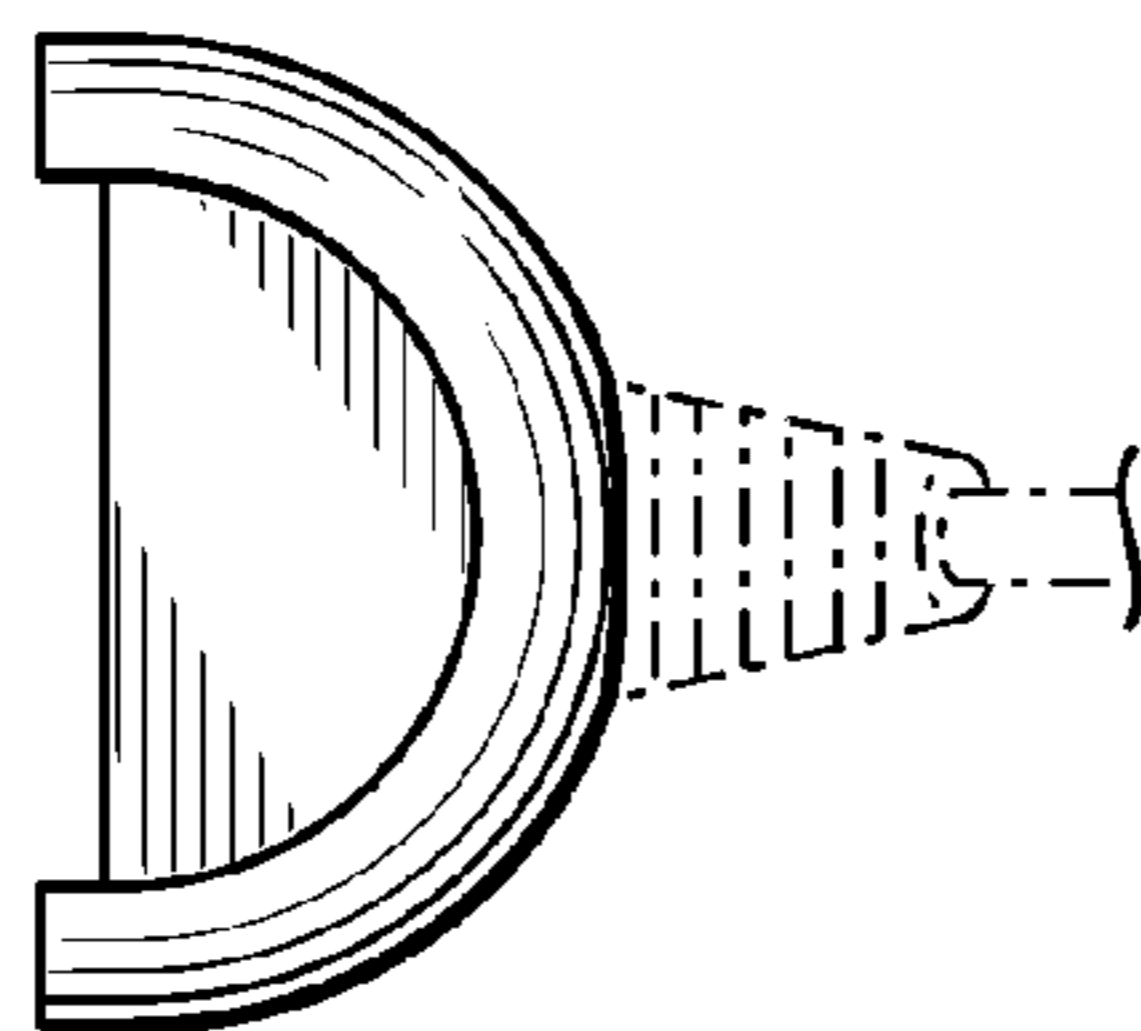


FIG. 7

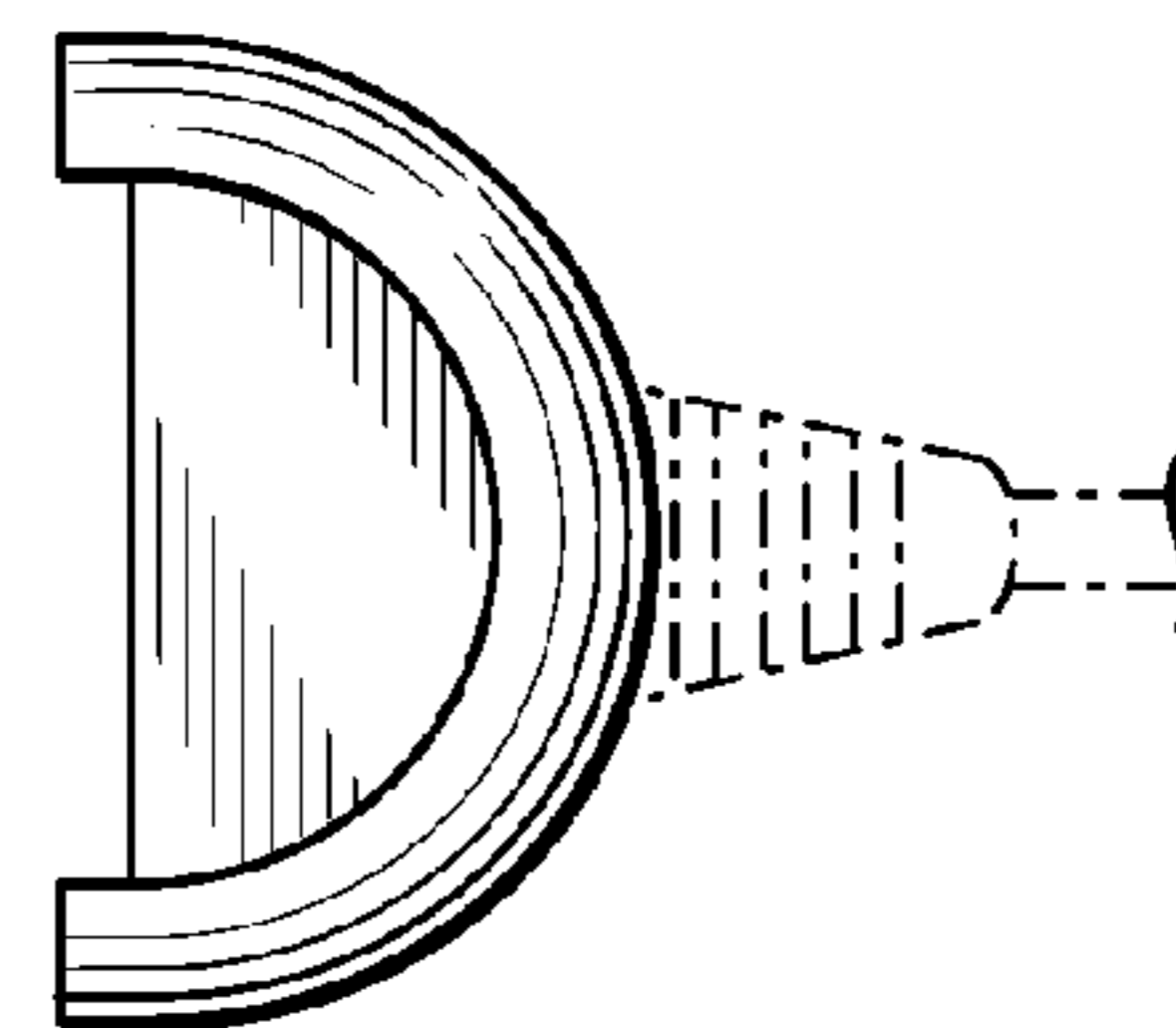


FIG. 8