

US00D612855S

(12) **United States Design Patent**
Waterman

(10) **Patent No.:** **US D612,855 S**
(45) **Date of Patent:** **** Mar. 30, 2010**

(54) **HAND HELD OPTICAL IMAGER HAVING SIDE TRIGGERS**

(75) Inventor: **Mark D. Waterman**, North Syracuse, NY (US)

(73) Assignee: **Jadak, LLC**, North Syracuse, NY (US)

(**) Term: **14 Years**

(21) Appl. No.: **29/337,719**

(22) Filed: **May 28, 2009**

(51) **LOC (9) Cl.** **14-02**

(52) **U.S. Cl.** **D14/429**

(58) **Field of Classification Search** D14/420, D14/426-430, 453, 346, 341, 347, 412, 138; D13/107, 184; 358/473; 235/462.43, 462.45, 235/462.47, 462.48, 462.44, 462.46, 487, 235/472.01, 472.02, 145 A, 145 R; 16/110.1, 16/430, 431; 439/133, 135; 709/219, 201; 710/73; 320/114, 115, 123; 361/679; 382/313, 382/321; 455/575.1, 561, 572; D10/78; 324/426; D3/273; D18/7; 345/156, 168, 345/169, 172, 173, 87
See application file for complete search history.

(56) **References Cited**

U.S. PATENT DOCUMENTS

4,020,527	A *	5/1977	O'Neill	16/430
D248,946	S *	8/1978	Koenig	D14/429
D249,345	S *	9/1978	Oliveira et al.	D14/346
4,165,554	A *	8/1979	Faget	16/426
D258,956	S *	4/1981	Chadima, Jr.	D14/346
4,621,189	A *	11/1986	Kumar et al.	235/462.45
D297,939	S *	10/1988	Bradbury et al.	D14/430
D299,235	S *	1/1989	Feger et al.	D14/347
D303,663	S *	9/1989	Kumar et al.	D14/429
D309,729	S *	8/1990	Tanabe	D14/346
D313,401	S *	1/1991	Tanabe	D14/346
D319,226	S *	8/1991	Yokoi et al.	D14/429
D332,604	S *	1/1993	Miyake et al.	D14/343
D334,922	S *	4/1993	Meyerson et al.	D14/429

D338,002	S *	8/1993	Kaptec et al.	D14/429
D340,034	S *	10/1993	Hofstetter et al.	D14/426
D341,825	S *	11/1993	Hamilton	D14/346
5,294,782	A *	3/1994	Kumar	235/380
D350,334	S *	9/1994	Kumar et al.	D14/429
5,349,497	A *	9/1994	Hanson et al.	361/679.58
D355,904	S *	2/1995	Swartz et al.	D14/429
D357,917	S *	5/1995	Ito et al.	D14/218
D359,040	S *	6/1995	Nakamura et al.	D14/426
5,679,943	A *	10/1997	Schultz et al.	235/472.02
D392,282	S *	3/1998	Ahearn et al.	D14/346
5,763,864	A *	6/1998	O'Hagan et al.	235/462.07
D398,903	S *	9/1998	Chacon et al.	D14/343
5,801,918	A *	9/1998	Ahearn et al.	361/679.55
D399,521	S *	10/1998	Coveley	D14/429
D406,139	S *	2/1999	Shimatsu et al.	D14/167
6,021,366	A *	2/2000	Fieramosca et al.	701/33

(Continued)

Primary Examiner—Susan Moon Lee

(74) *Attorney, Agent, or Firm*—David L. Nocilly; Bond Schoeneck & King, PLLC

(57) **CLAIM**

The ornamental design for a hand held optical imager having side triggers, as shown and described.

DESCRIPTION

FIG. 1 is a perspective view of a new and ornamental design for a hand held optical imager having side triggers in which portions shown in broken line are for illustrating environment only and are not claimed;

FIG. 2 is a second perspective view thereof;

FIG. 3 is a bottom plan view thereof;

FIG. 4 is a side elevation thereof;

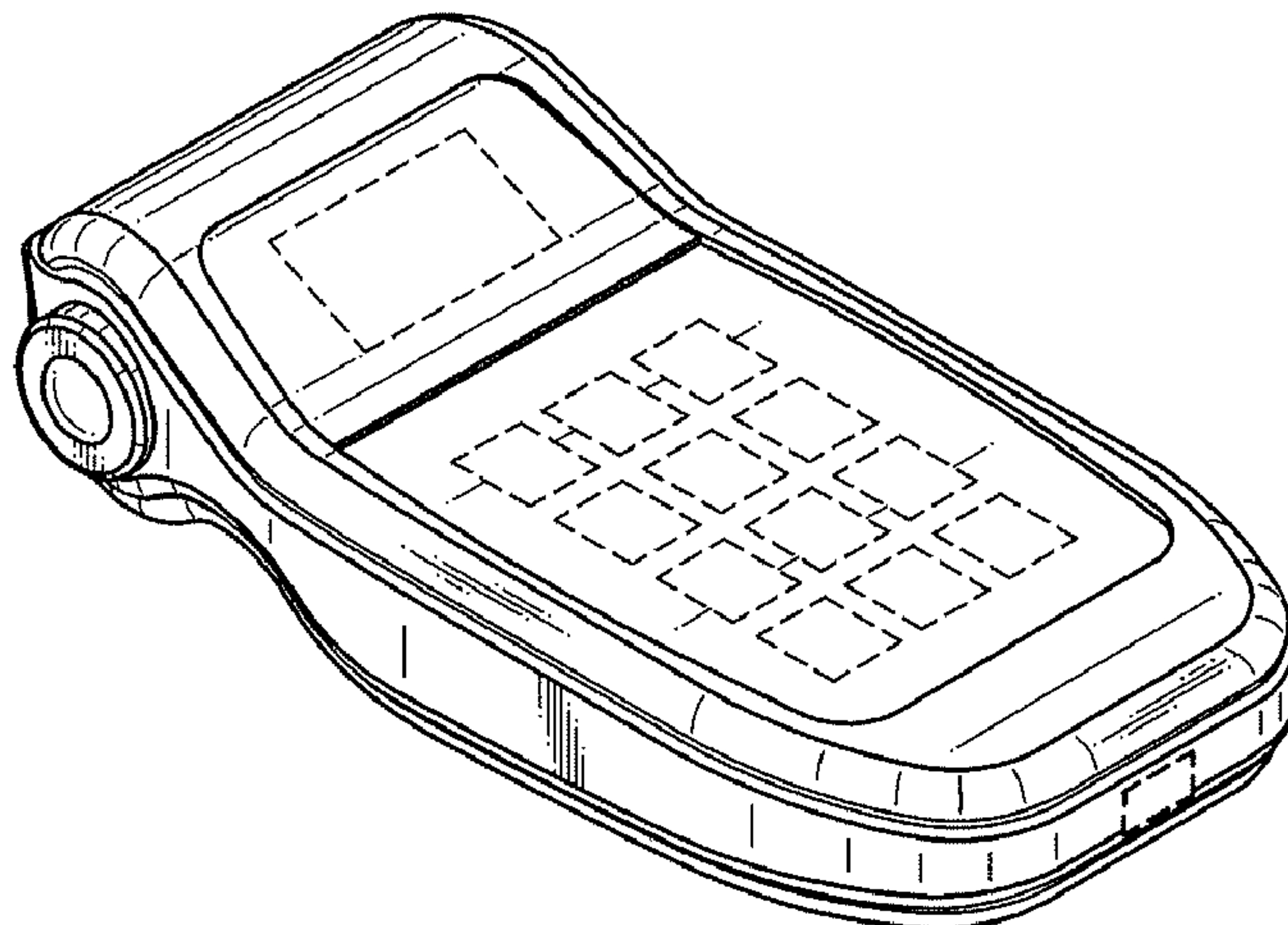
FIG. 5 is a top plan view thereof;

FIG. 6 is a rear elevation thereof; and,

FIG. 7 is a front elevation thereof.

The broken line elements in the drawings are not claimed.

1 Claim, 2 Drawing Sheets



US D612,855 S

Page 2

U.S. PATENT DOCUMENTS

D429,226	S	*	8/2000	Siddoway et al.	D14/347	
6,105,871	A	*	8/2000	Campo et al.	235/472.03	
6,109,528	A	*	8/2000	Kunert et al.	235/472.01	
D431,562	S	*	10/2000	Bhatia et al.	D14/341	
6,138,914	A	*	10/2000	Campo et al.	235/472.01	
D439,898	S	*	4/2001	Ober et al.	D14/347	
D449,549	S	*	10/2001	Hoelbl	D10/81	
D460,068	S	*	7/2002	Lanzaro et al.	D14/341	
D463,421	S	*	9/2002	Lanzaro et al.	D14/341	
D499,034	S	*	11/2004	Bras et al.	D10/78	
2002/0146157	A1	*	10/2002	Goodman et al.	382/127	
2004/0089722	A1	*	5/2004	Durbin	235/472.01	

* cited by examiner

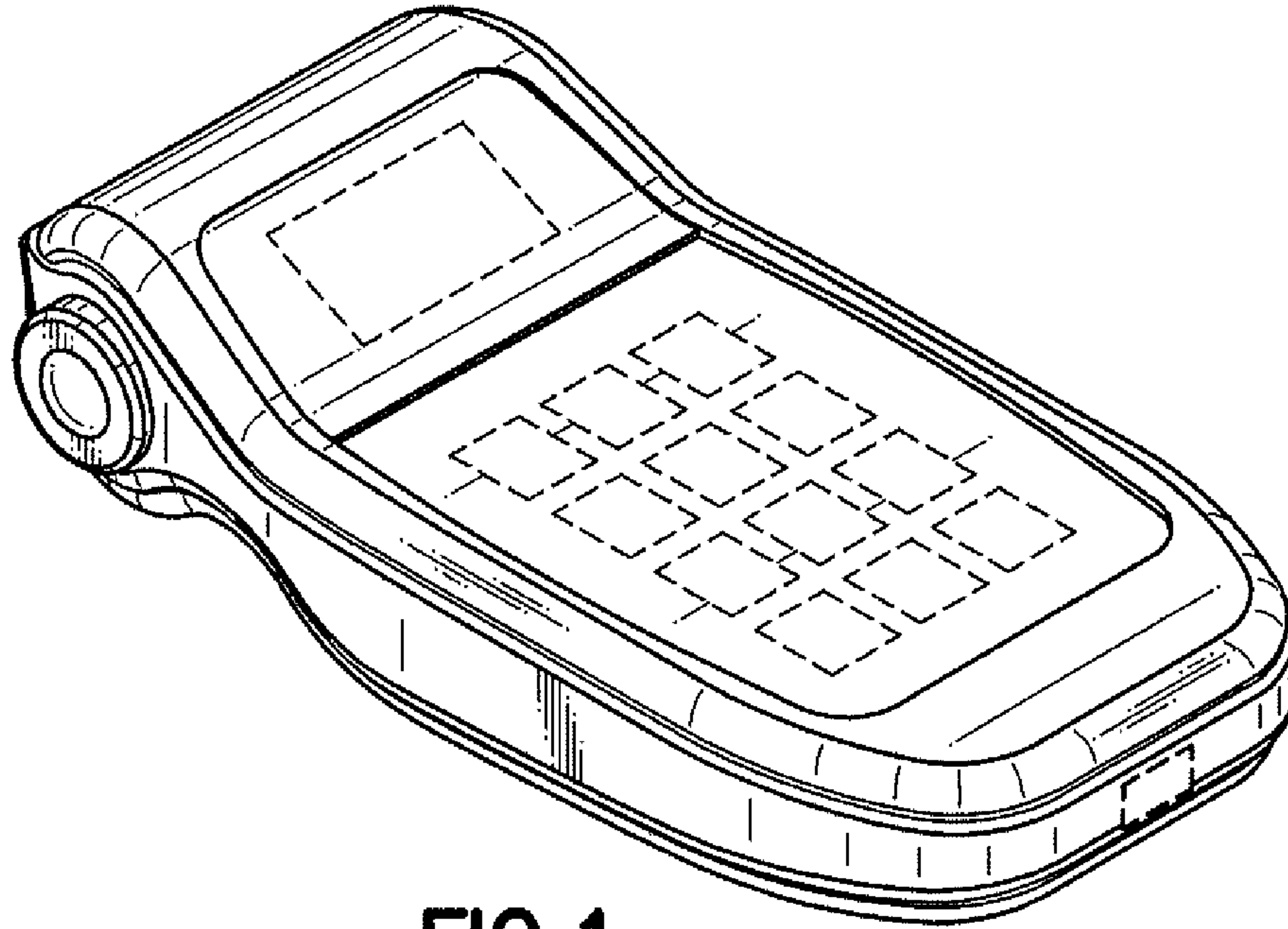


FIG. 1

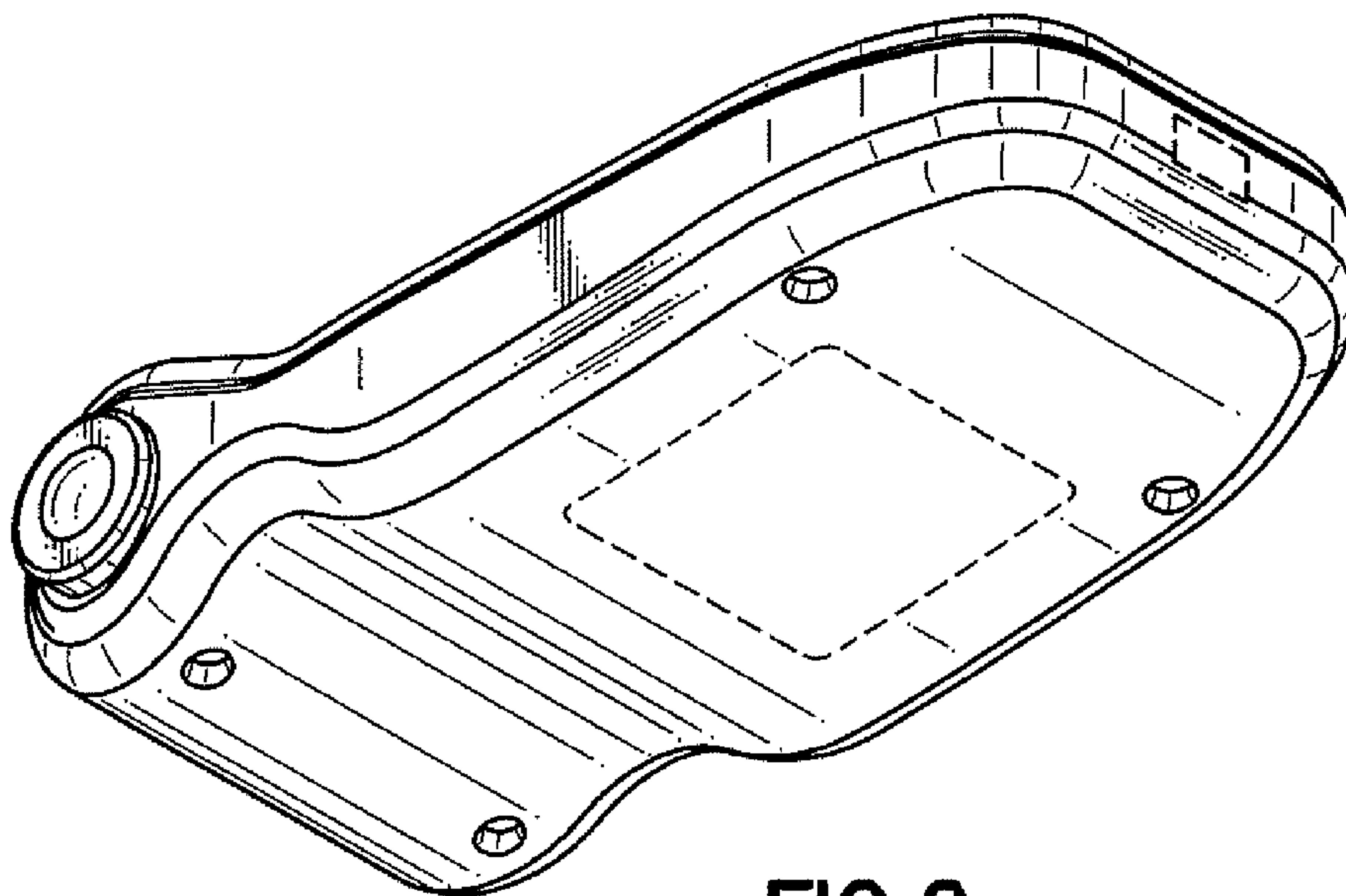


FIG. 2

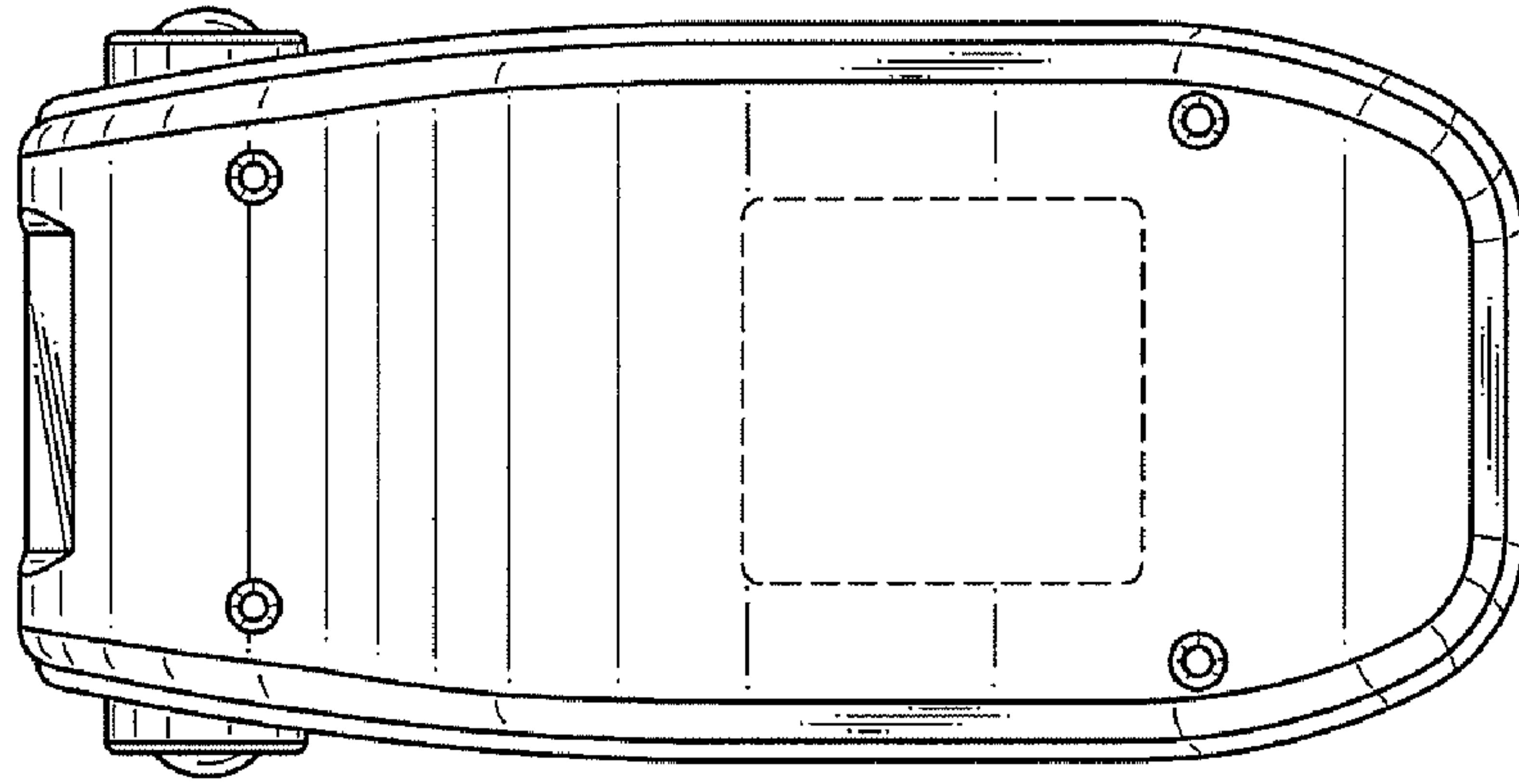


FIG.3

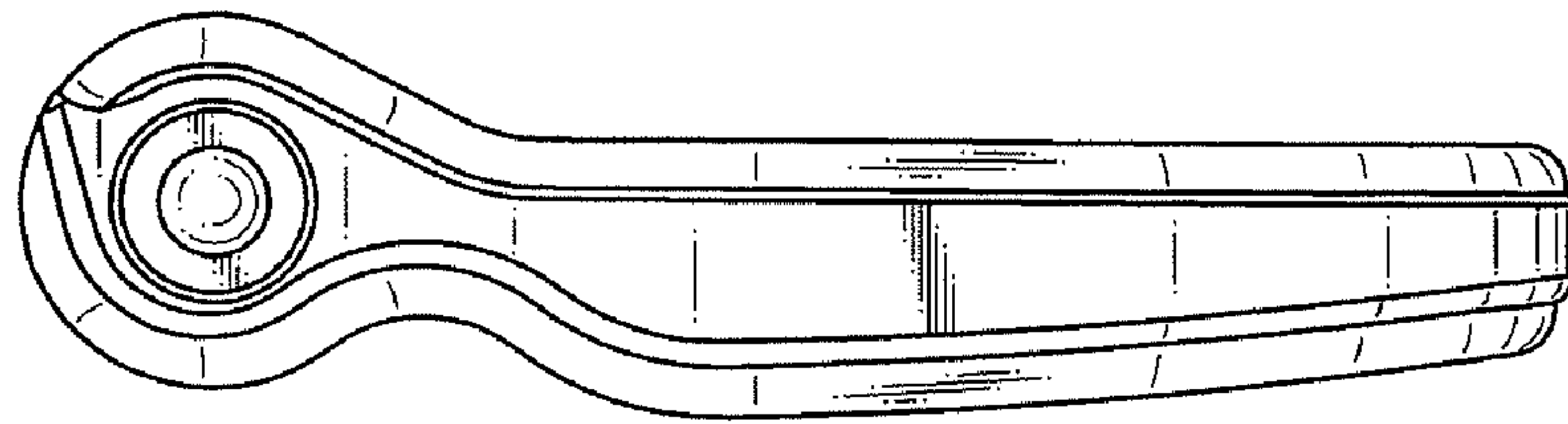


FIG.4

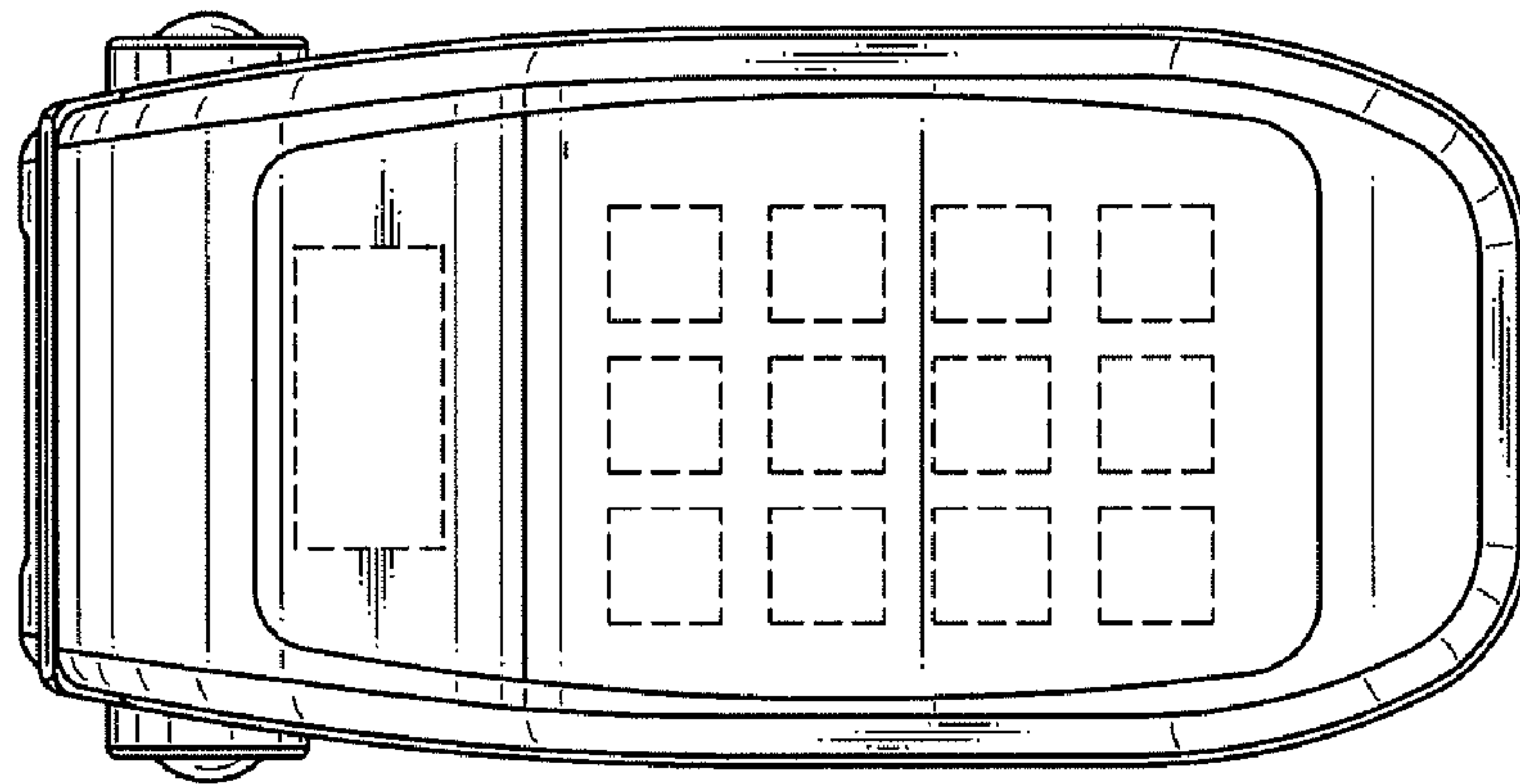


FIG.5

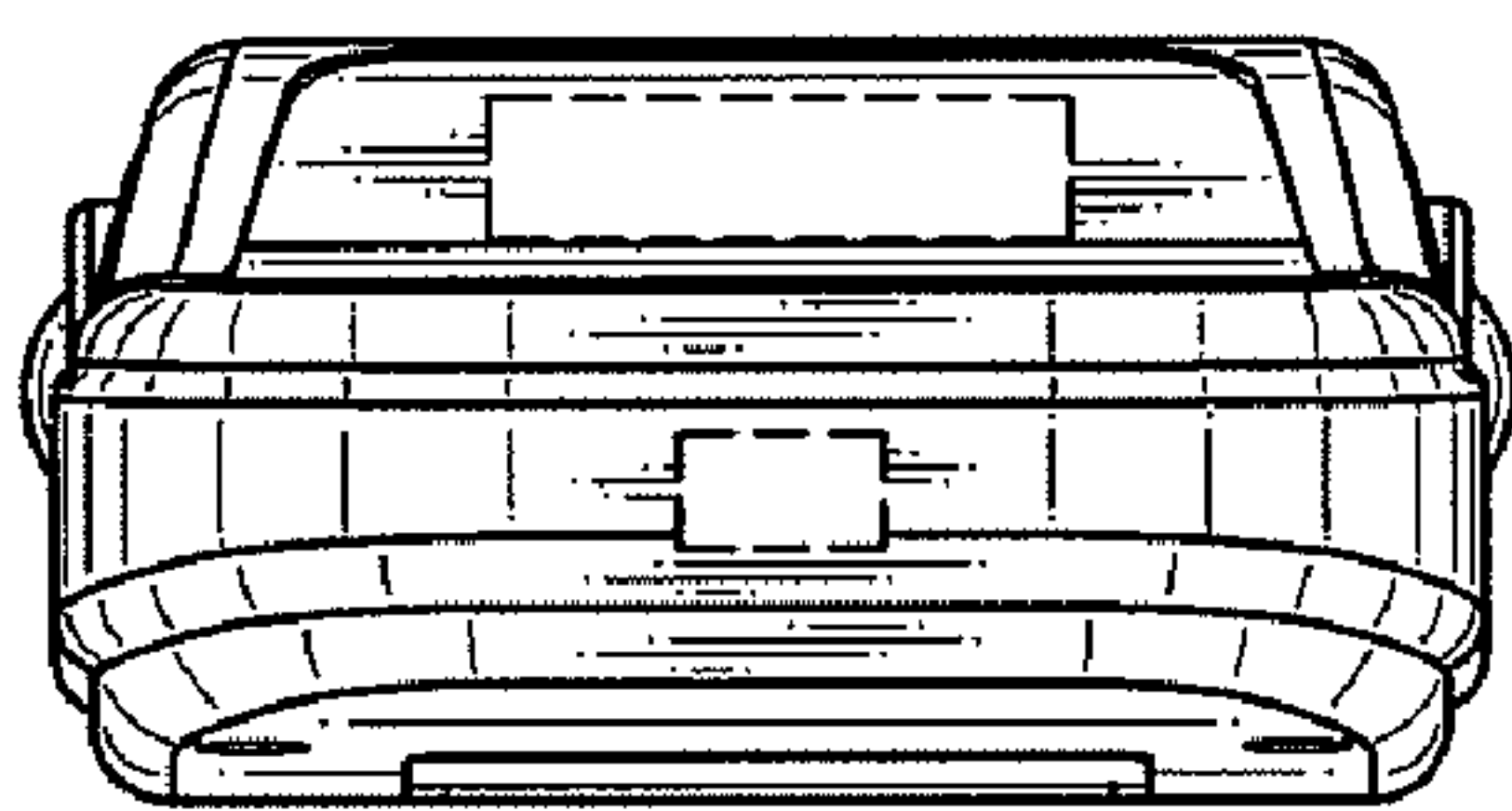


FIG.6

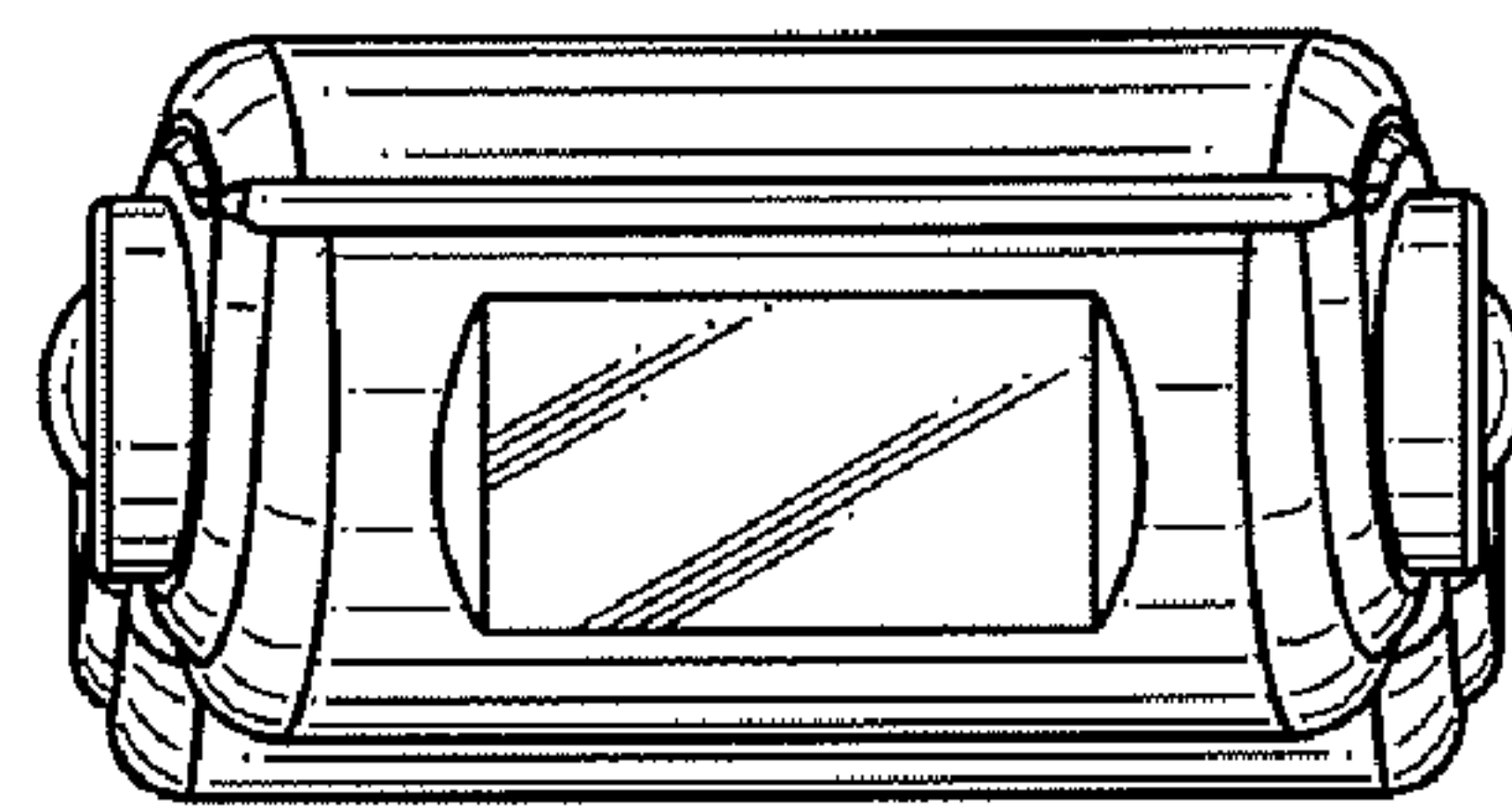


FIG.7