



US00D612853S

(12) **United States Design Patent**
Waterman

(10) **Patent No.:** **US D612,853 S**

(45) **Date of Patent:** **** Mar. 30, 2010**

(54) **HAND HELD OPTICAL IMAGER**

(75) Inventor: **Mark D. Waterman**, North Syracuse,
NY (US)

(73) Assignee: **Jadak, LLC**, North Syracuse, NY (US)

(**) Term: **14 Years**

(21) Appl. No.: **29/332,296**

(22) Filed: **Feb. 12, 2009**

(51) **LOC (9) Cl.** **14-02**

(52) **U.S. Cl.** **D14/427**

(58) **Field of Classification Search** D14/420,
D14/426-430, 453, 346, 341, 347, 412; D13/107,
D13/184; 358/473; 235/462.43, 462.45,
235/462.47, 462.48, 462.44, 462.46, 487,
235/472.01, 472.02; 16/110.1, 430, 431;
439/133, 135; 709/219, 201; 710/73; 320/114,
320/115, 123; 361/679; 382/313, 321; 455/575.1,
455/561, 572

See application file for complete search history.

(56) **References Cited**

U.S. PATENT DOCUMENTS

3,947,817	A *	3/1976	Requa et al.	382/295
4,570,250	A *	2/1986	Gabritsos et al.	369/97
D293,795	S *	1/1988	Yamamoto	D14/428
4,797,544	A *	1/1989	Montgomery et al.	250/221
D335,661	S *	5/1993	Shepard	D14/427
D335,662	S *	5/1993	Shepard	D14/427
D340,042	S *	10/1993	Copper et al.	D14/388
D342,245	S *	12/1993	Krichever et al.	D14/427
D342,256	S *	12/1993	Payne et al.	D14/218
5,340,972	A *	8/1994	Sandor	235/462.44

5,489,770	A *	2/1996	Kadota et al.	235/472.01
D372,234	S *	7/1996	LaManna et al.	D14/427
D377,797	S *	2/1997	Stropkay et al.	D14/218
D385,855	S *	11/1997	Ronzani	D14/344
5,736,726	A *	4/1998	VanHorn et al.	235/472.02
6,095,421	A *	8/2000	Barkan et al.	235/462.22
D462,688	S *	9/2002	Schieffers et al.	D14/427
D462,964	S *	9/2002	Croley et al.	D14/427
D554,641	S *	11/2007	Miller et al.	D14/427
7,292,267	B2 *	11/2007	Prentice et al.	348/207.1
2005/0194446	A1 *	9/2005	Wiklof et al.	235/462.46

* cited by examiner

Primary Examiner—Susan Moon Lee

(74) *Attorney, Agent, or Firm*—David L. Nocilly; Bond
Schoeneck & King, PLLC

(57) **CLAIM**

The ornamental design for a hand held optical imager, as shown and described.

DESCRIPTION

FIG. 1 is a perspective view of a new and ornamental design for a hand held optical imager in which portions shown in broken line are for illustrating environment only and are not claimed;

FIG. 2 is a top plan view thereof;

FIG. 3 is a first side elevation thereof;

FIG. 4 is a second side elevation thereof;

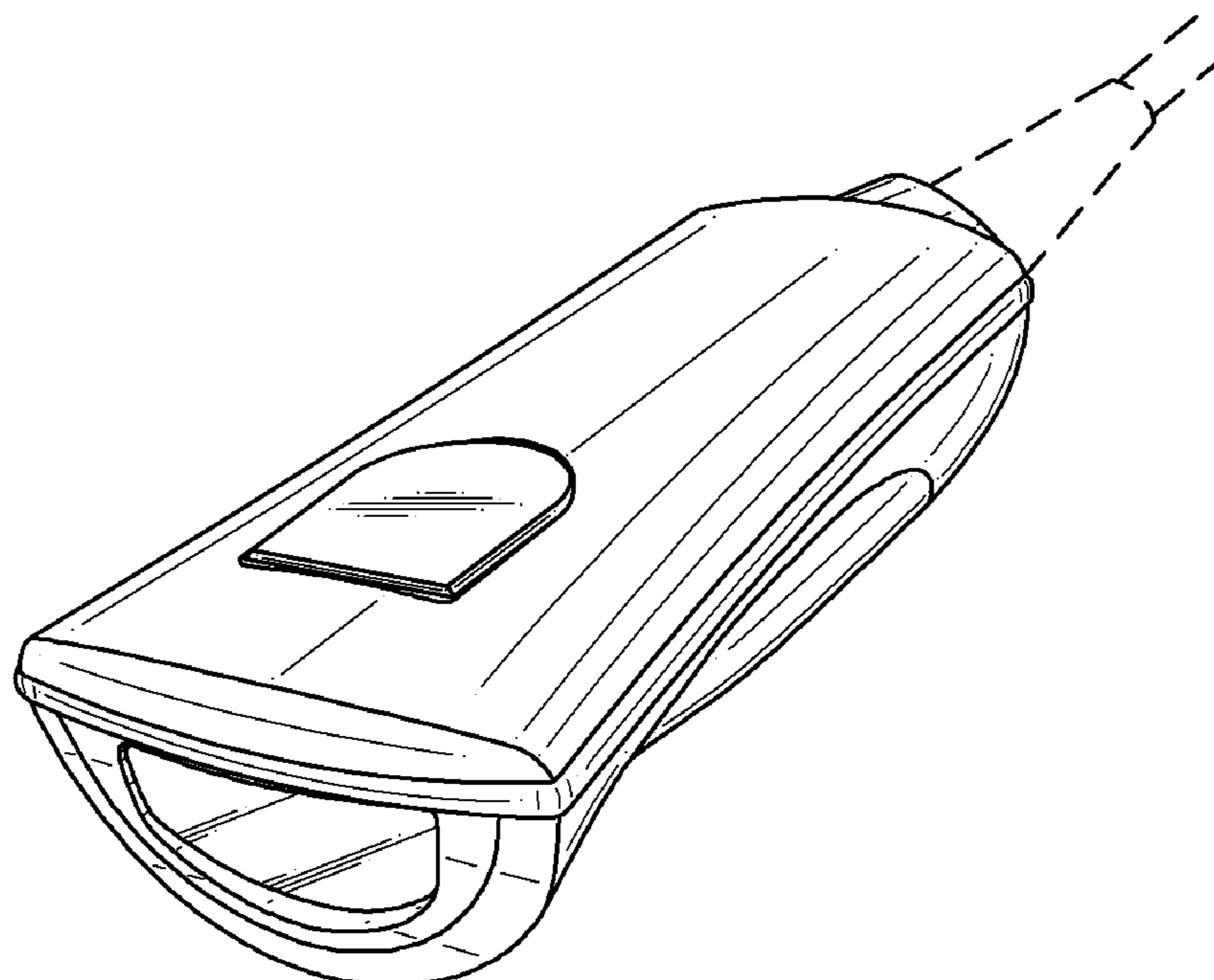
FIG. 5 is a bottom plan view thereof;

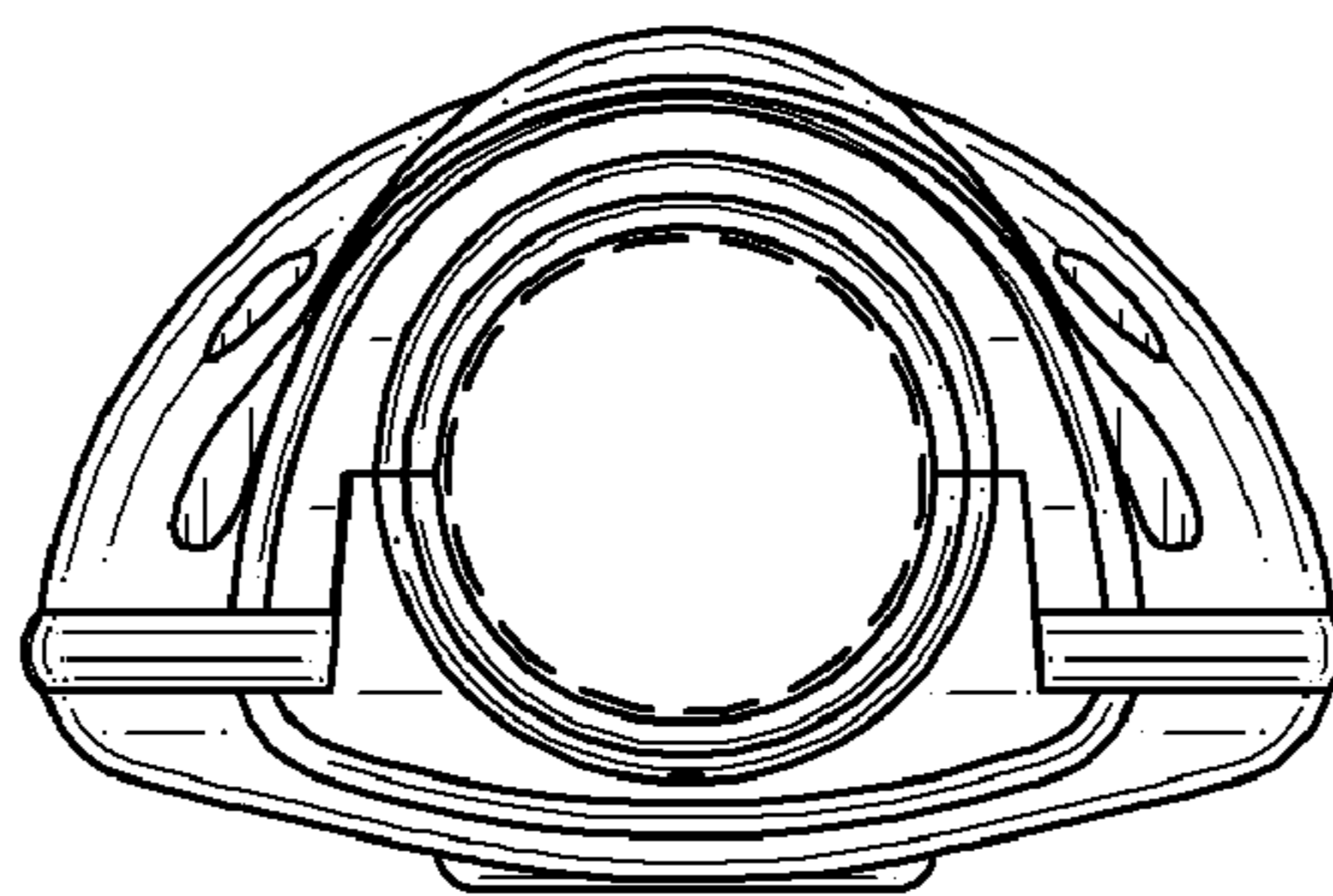
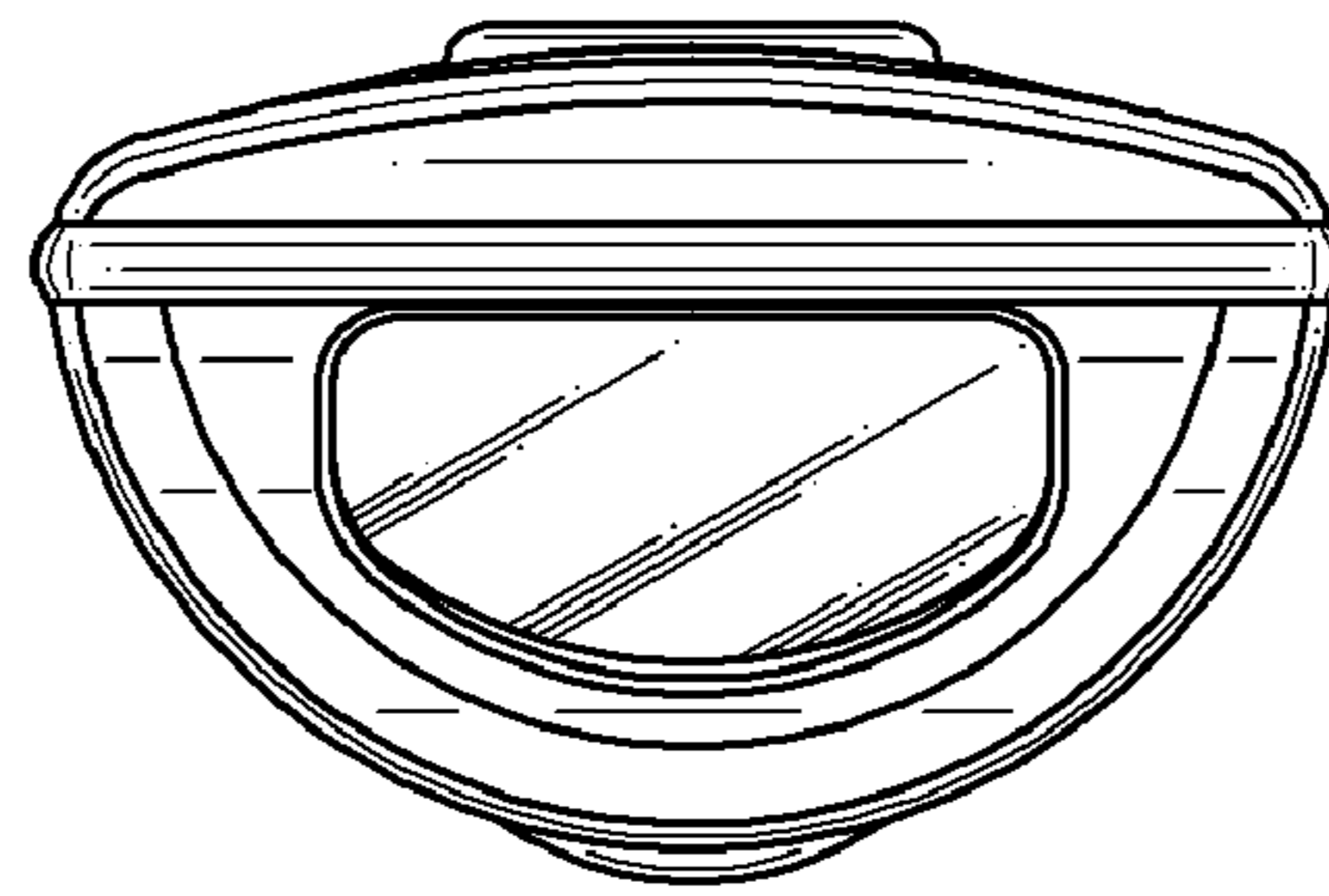
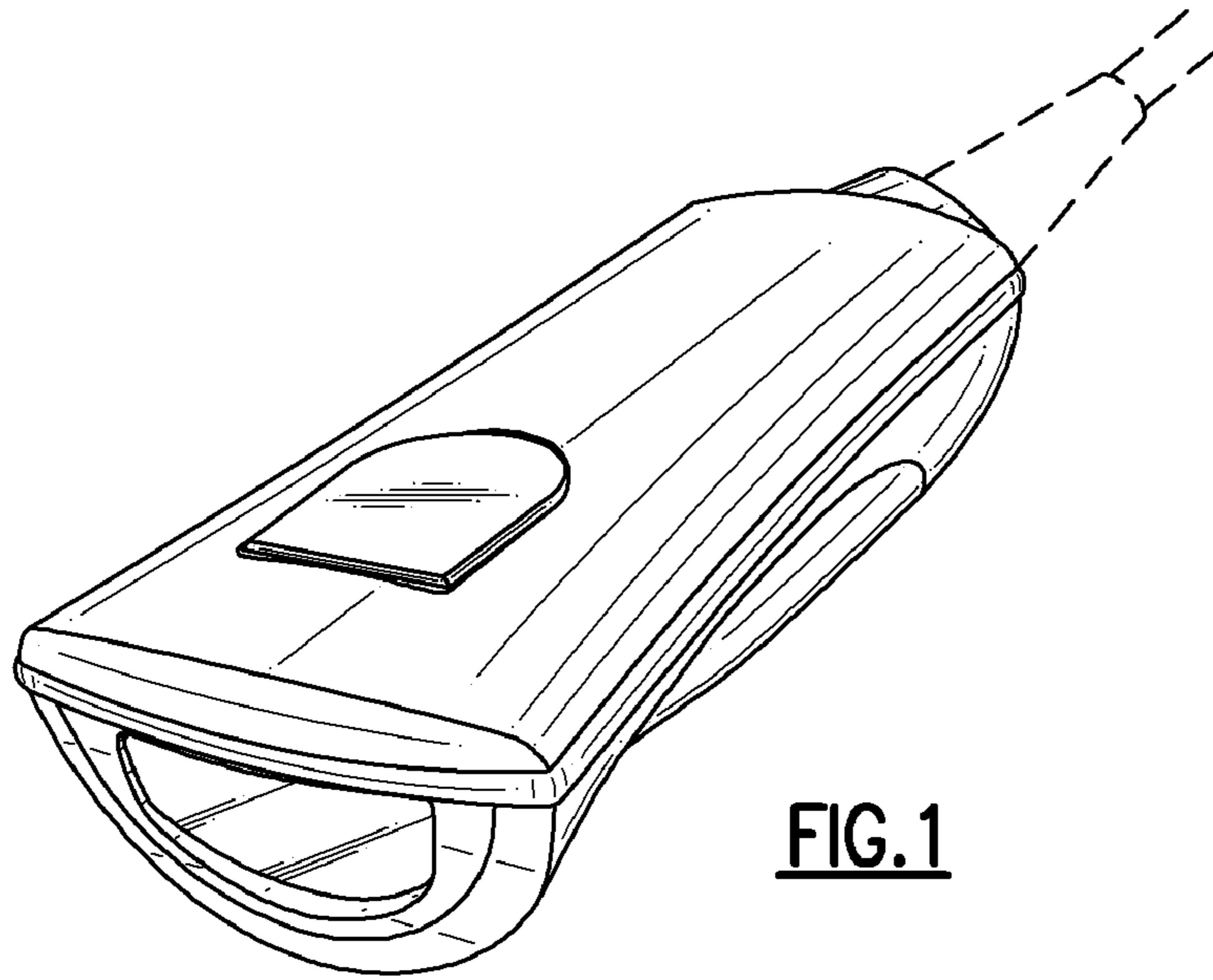
FIG. 6 is a front elevation thereof; and,

FIG. 7 is a rear elevation thereof.

The broken line elements in the drawings are not claimed.

1 Claim, 3 Drawing Sheets





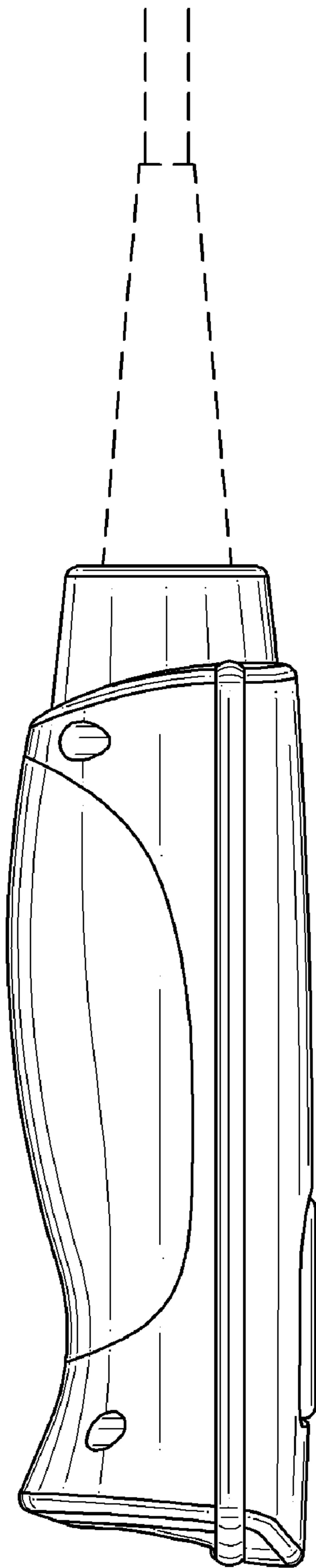


FIG.3

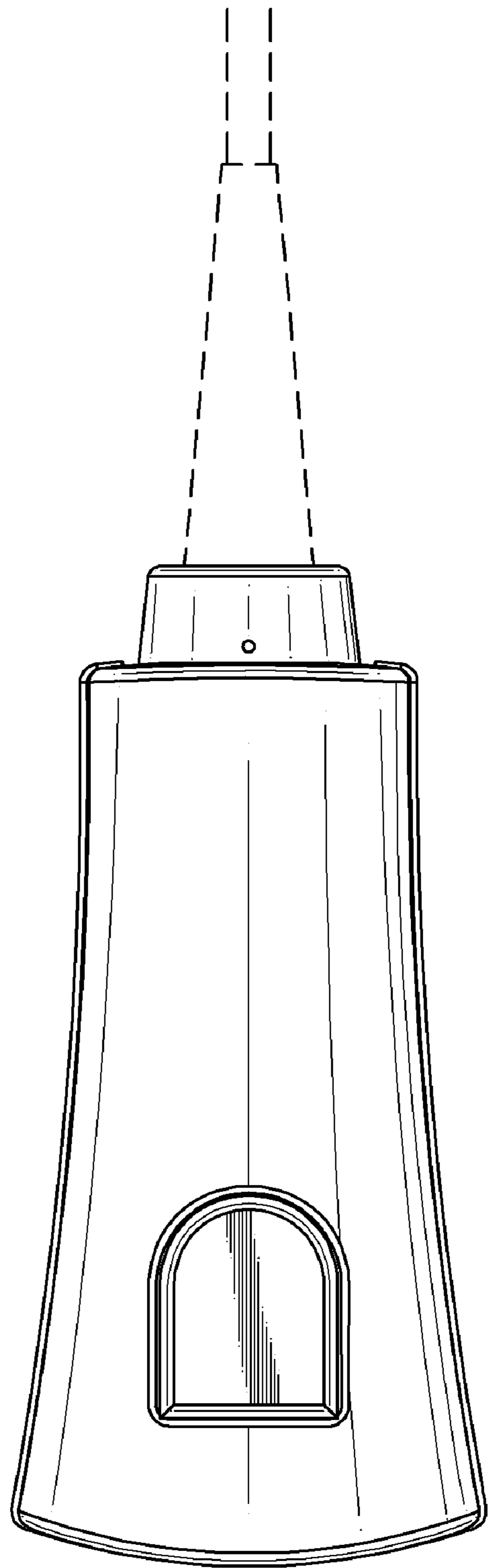


FIG.2

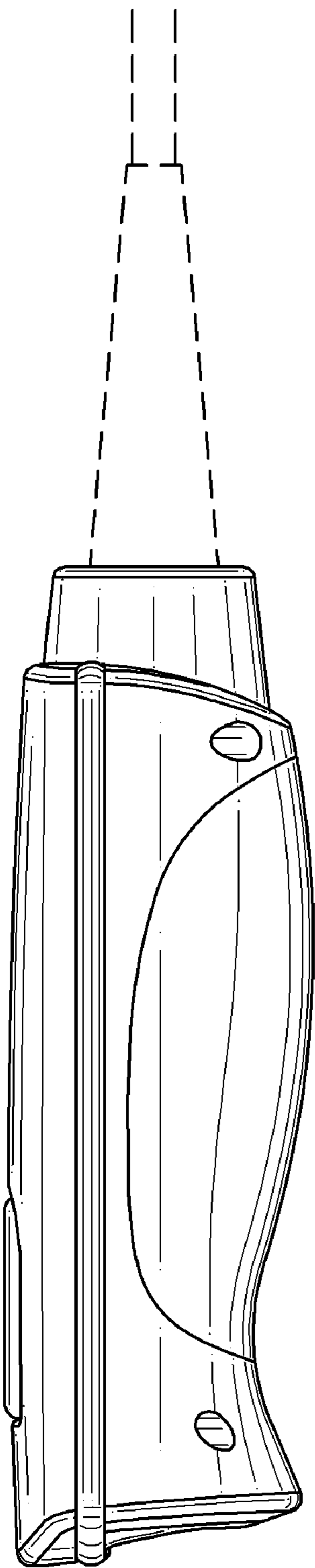


FIG. 4

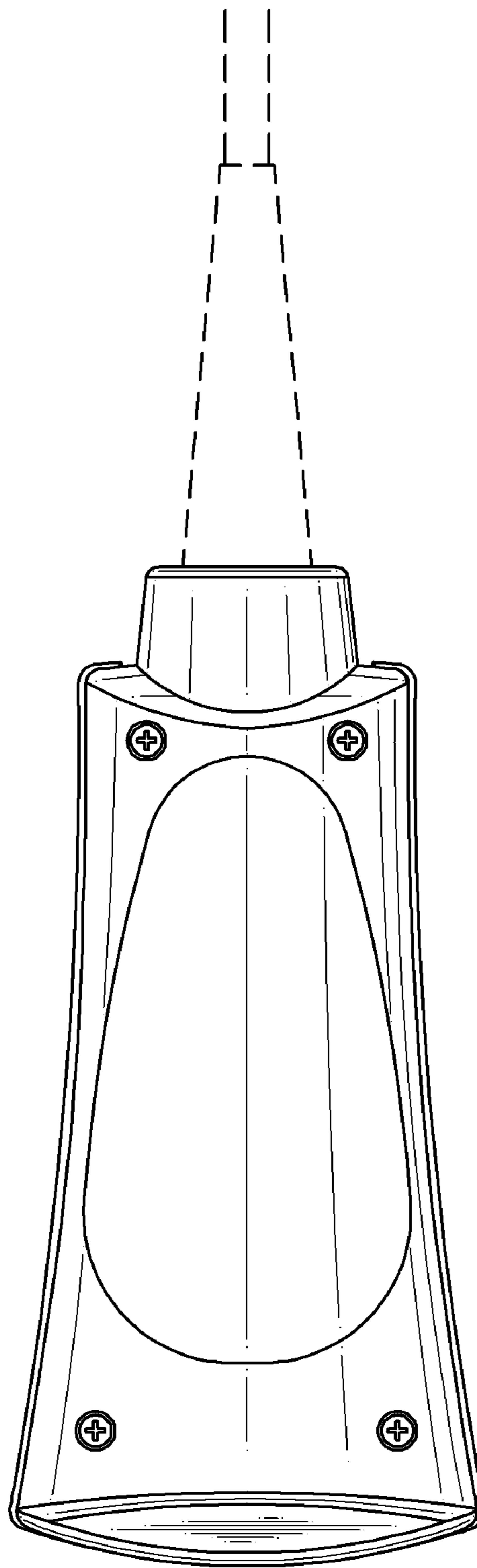


FIG. 5