



US00D612851S

(12) **United States Design Patent**
Maruyama et al.

(10) **Patent No.:** **US D612,851 S**
(45) **Date of Patent:** **** Mar. 30, 2010**

(54) **IMAGE SCANNER**

(75) Inventors: **Kenichi Maruyama**, Aichi (JP); **Tetsuro Kato**, Aichi (JP); **Shinji Ono**, Aichi (JP)

(73) Assignee: **Elmo Company, Limited** (JP)

(**) Term: **14 Years**

(21) Appl. No.: **29/317,061**

(22) Filed: **Apr. 22, 2008**

(30) **Foreign Application Priority Data**

Oct. 31, 2007 (JP) 2007-30008

(51) **LOC (9) Cl.** **14-02**

(52) **U.S. Cl.** **D14/423**

(58) **Field of Classification Search** D14/420-425;
D16/232; D18/36; 353/115, 119, 122, DIG. 3,
353/DIG. 4; 396/155, 133, 86; 358/474-498;
348/370, 373, 376, 374, 375; 248/187.1,
248/593, 276.1, 281.11

See application file for complete search history.

(56) **References Cited**

U.S. PATENT DOCUMENTS

- D323,819 S * 2/1992 Iimura D14/423
- 5,247,330 A * 9/1993 Ohyama et al. 355/64
- D352,502 S * 11/1994 Hasegawa D14/423
- 5,396,281 A * 3/1995 Maeda 348/141
- D376,139 S * 12/1996 Hasegawa D14/423
- 5,642,206 A * 6/1997 Yamamori et al. 358/471
- D387,038 S * 12/1997 Sakuta et al. D14/423
- 5,751,355 A * 5/1998 Bito et al. 348/375
- 5,796,495 A * 8/1998 Miyata et al. 358/471
- D397,709 S * 9/1998 Park et al. D16/232
- 5,929,910 A * 7/1999 Kim et al. 348/373
- D419,582 S * 1/2000 Ikenaga D16/232
- D422,571 S * 4/2000 Sakata et al. D14/423
- D423,472 S * 4/2000 Adachi D14/423
- D424,091 S * 5/2000 Oh D16/232
- 6,065,839 A * 5/2000 Miyata et al. 353/122
- D433,683 S * 11/2000 Adachi et al. D14/423
- 6,300,975 B1 * 10/2001 Yamane 348/63

- 6,317,155 B1 * 11/2001 Ohyama 348/373
- D454,351 S * 3/2002 Adachi et al. D14/423
- D454,570 S * 3/2002 Adachi et al. D14/423
- D488,828 S * 4/2004 Adachi et al. D16/232
- D494,995 S * 8/2004 Kim et al. D16/232
- D497,914 S * 11/2004 Adachi et al. D14/423
- D519,144 S * 4/2006 Kato et al. D16/232
- 7,035,011 B2 * 4/2006 Wolf 359/599
- 7,104,512 B2 * 9/2006 Wolf et al. 248/276.1
- D542,795 S 5/2007 Sukenari et al.
- 7,310,116 B2 * 12/2007 Lee et al. 348/373
- 7,394,978 B2 * 7/2008 Sukenari et al. 396/155
- 2003/0076441 A1 * 4/2003 Maeda et al. 348/375
- 2004/0233325 A1 * 11/2004 Lee et al. 348/375

(Continued)

Primary Examiner—Susan Moon Lee

(74) *Attorney, Agent, or Firm*—Ostrolenk Faber LLP

(57) **CLAIM**

We claim the ornamental design for an image scanner, as shown.

DESCRIPTION

FIG. 1 is a front view of the image scanner embodying our new design;

FIG. 2 is a top plan view thereof;

FIG. 3 is a right side view thereof;

FIG. 4 is a left side view thereof;

FIG. 5 is a rear view thereof;

FIG. 6 is a bottom side view thereof;

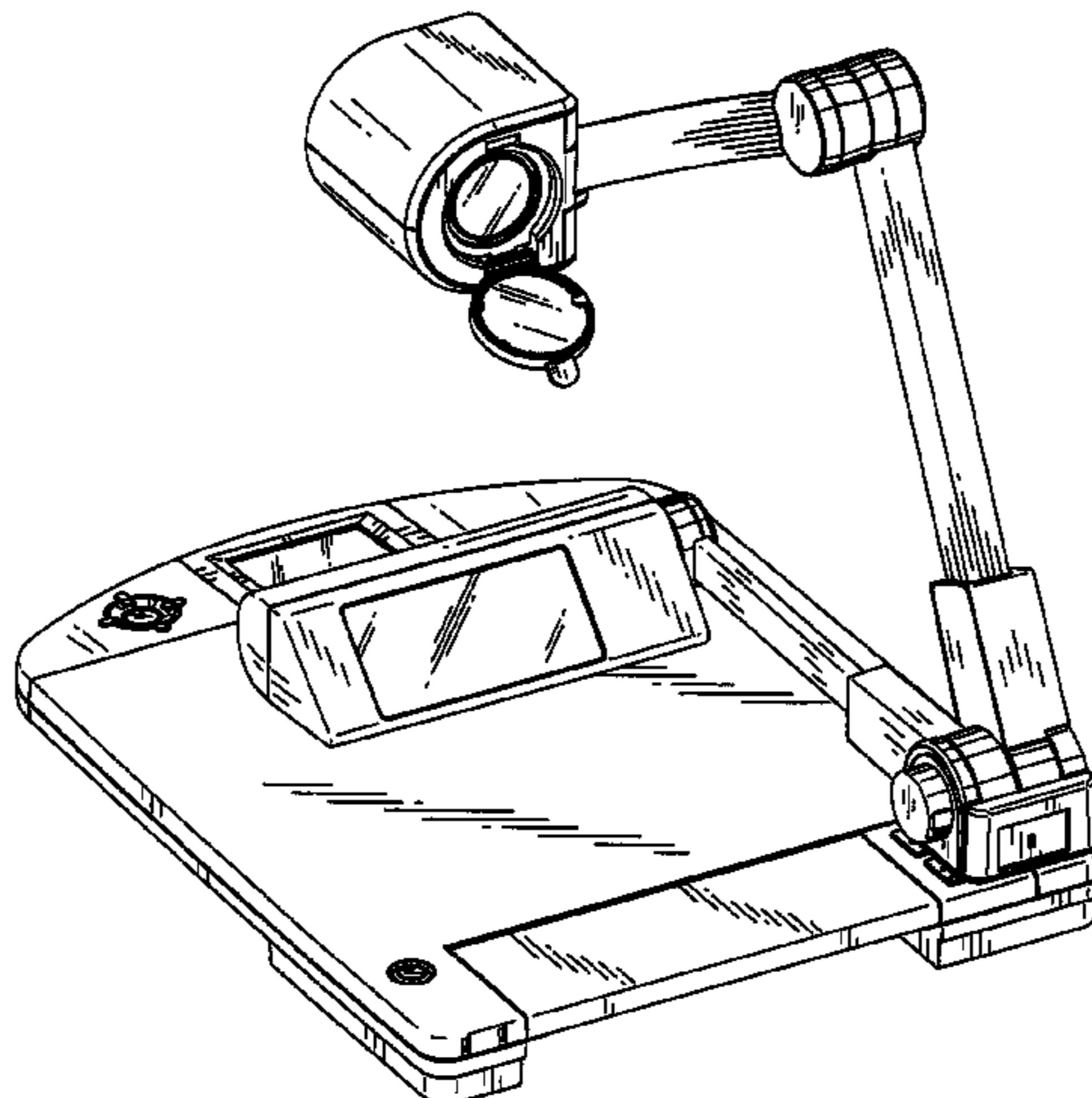
FIG. 7 is a first perspective view thereof;

FIG. 8 is a second perspective view of the image scanner with the arm shown in a folded position to be stored;

FIG. 9 is a third perspective view of the image scanner with the camera head shown facing the front of the table; and,

FIG. 10 is a fourth perspective view of the image scanner with the camera head shown facing the rear of the table.

1 Claim, 10 Drawing Sheets



US D612,851 S

Page 2

U.S. PATENT DOCUMENTS			
2004/0238704	A1 *	12/2004	Wolf et al. 248/276.1
2005/0105181	A1 *	5/2005	Wolf 359/558
2006/0110151	A1 *	5/2006	Sukenari et al. 396/155
2007/0003274	A1 *	1/2007	Sukenari 396/428
2007/0279519	A1 *	12/2007	Sukenari et al. 348/373

* cited by examiner

Fig. 1

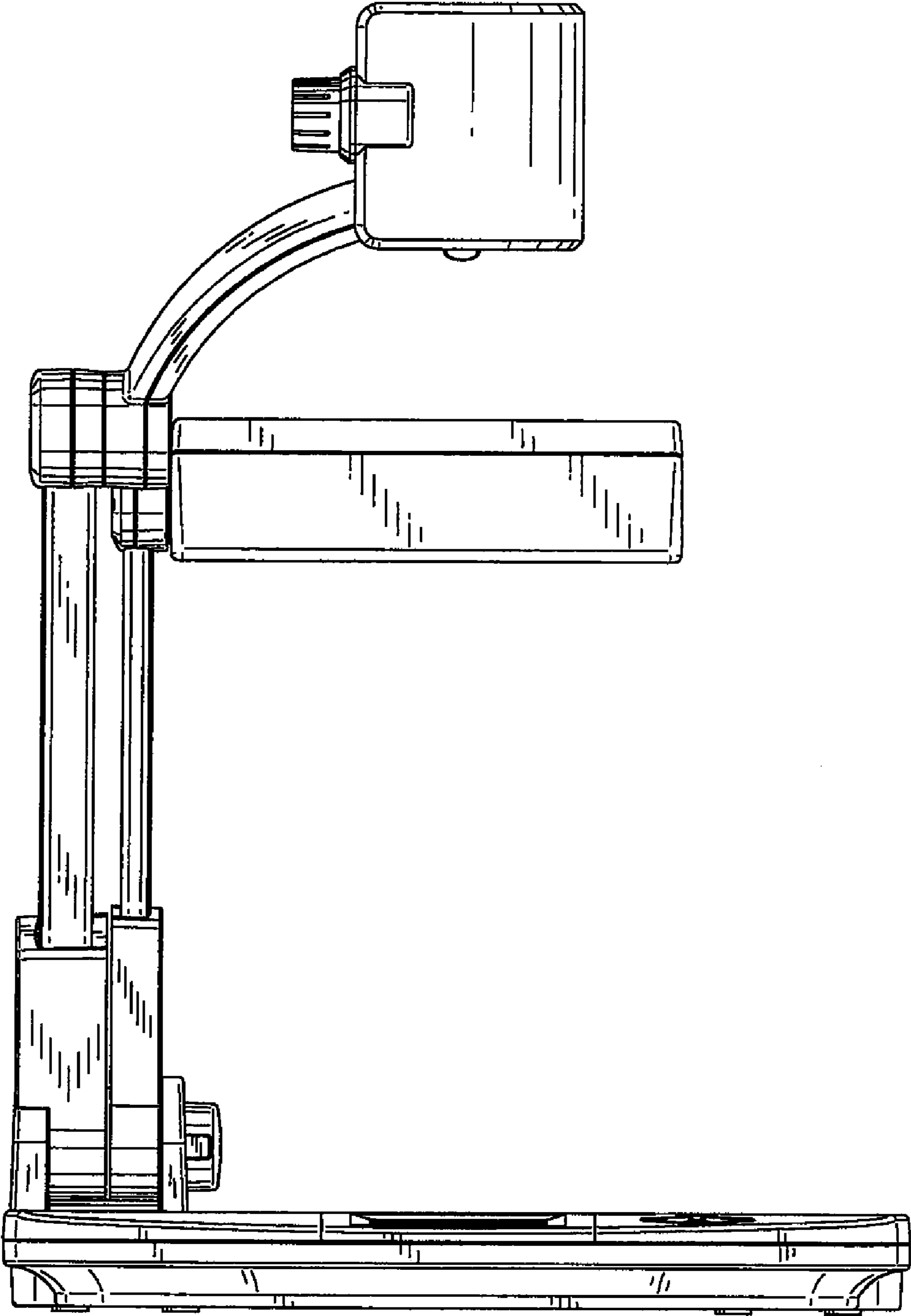


Fig.2

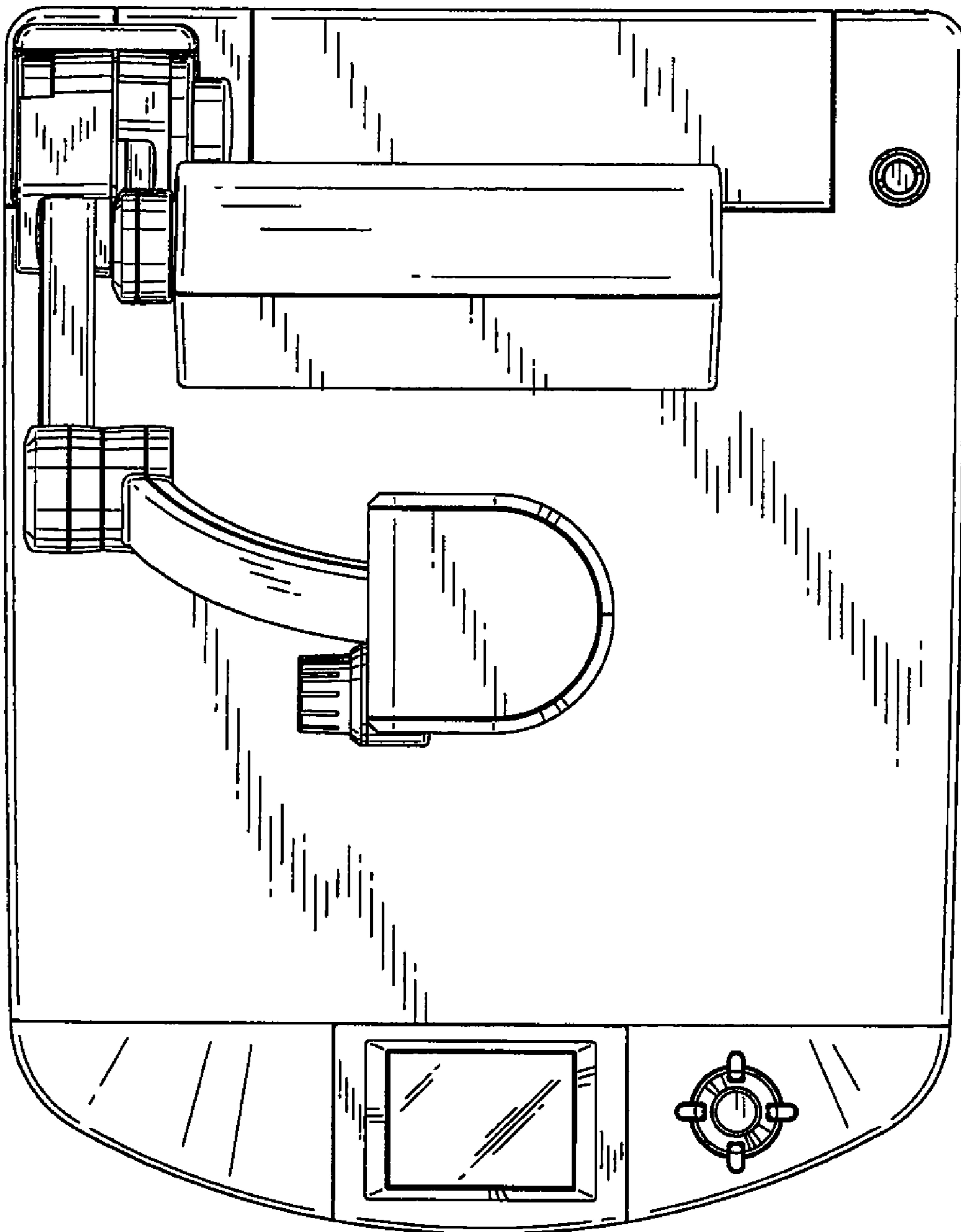


Fig.3

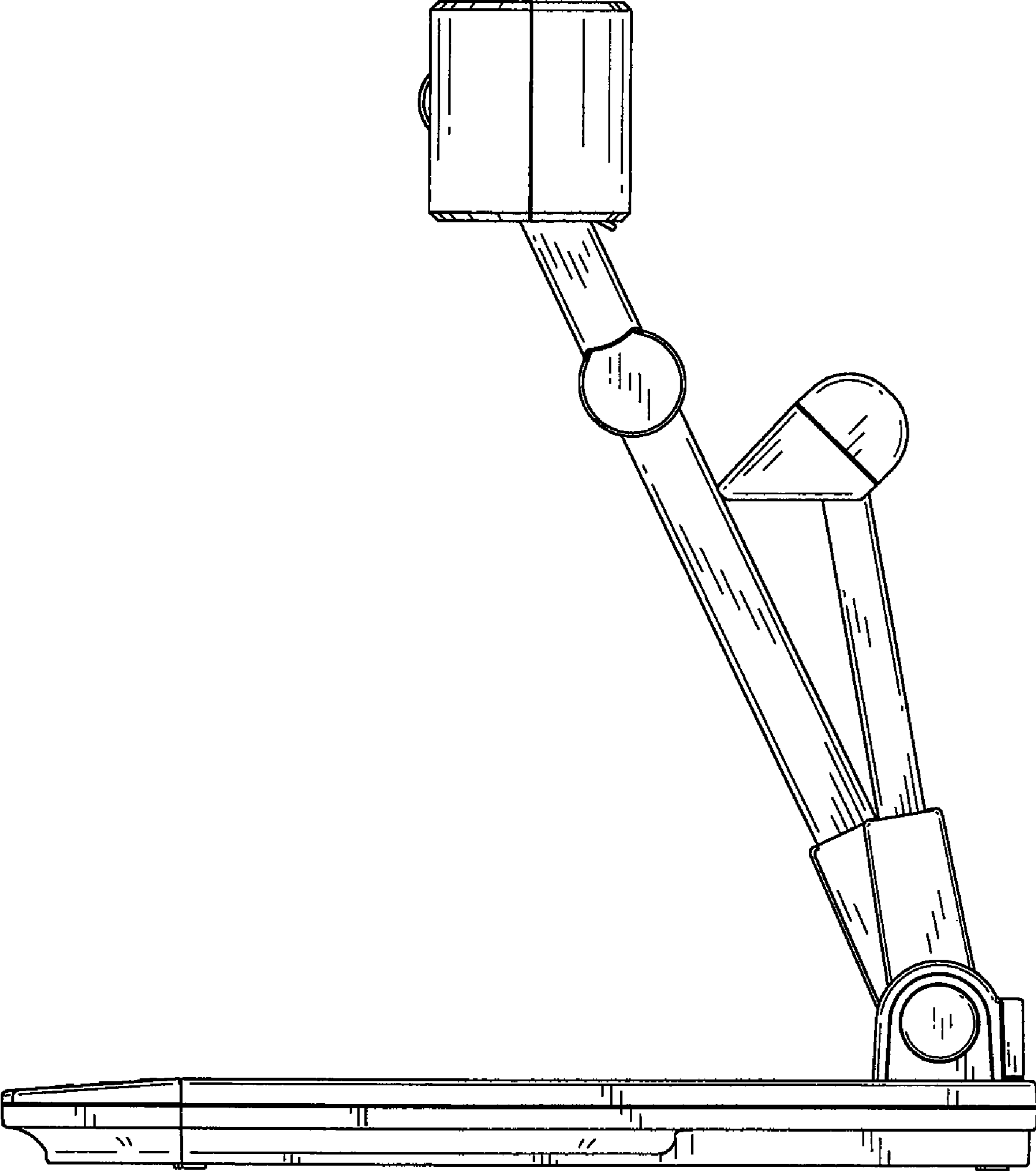


Fig.4

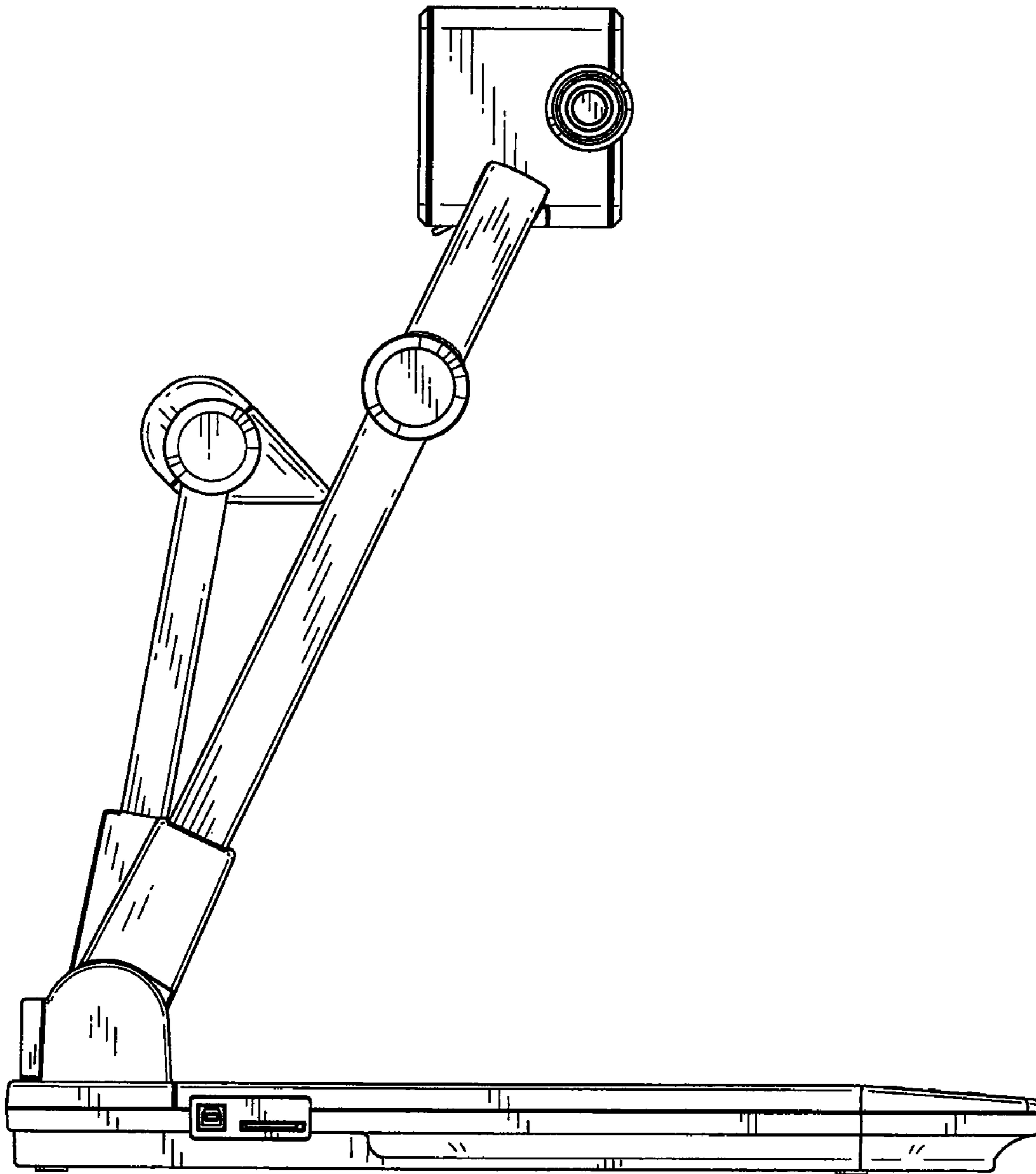


Fig.5

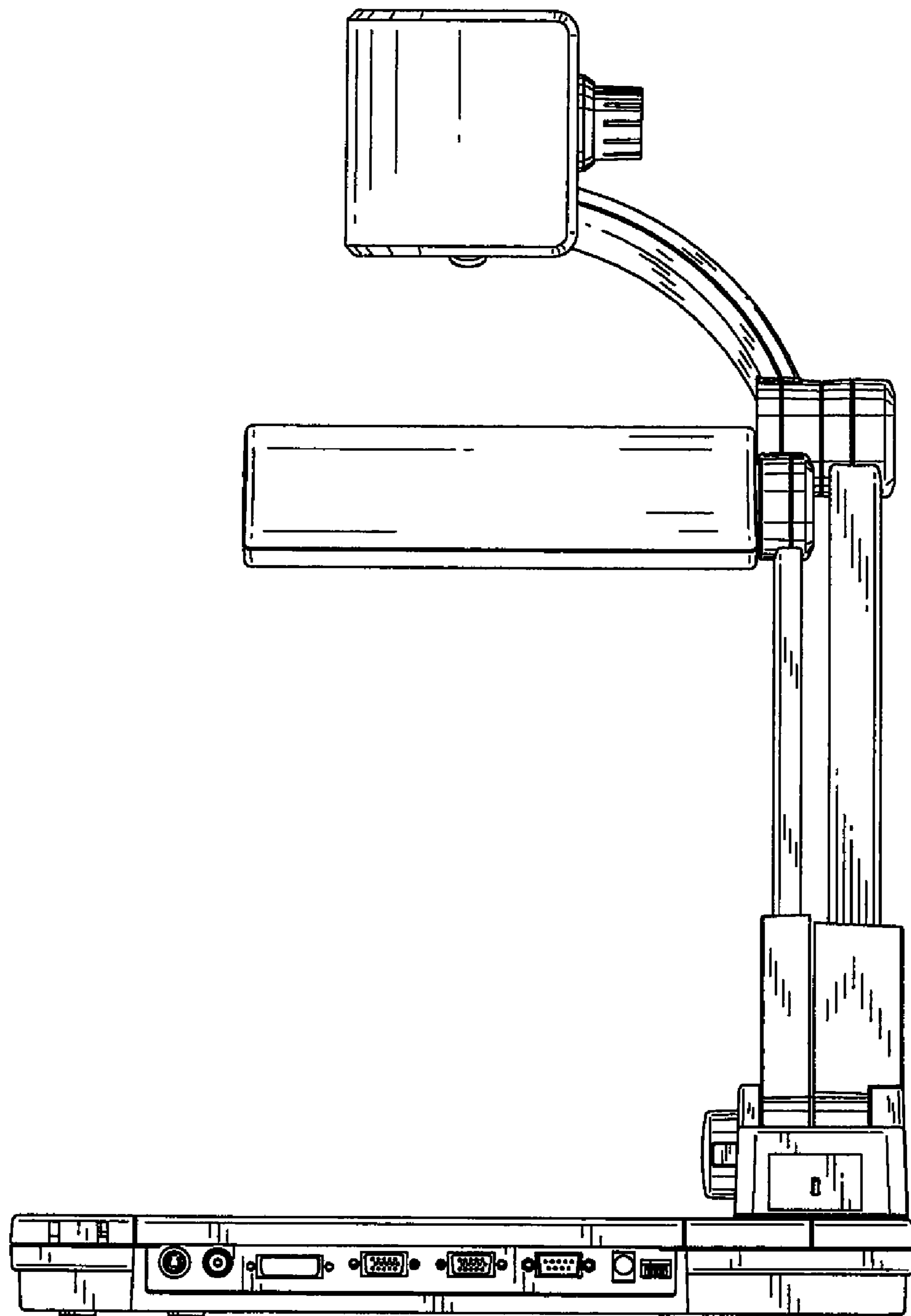


Fig.6

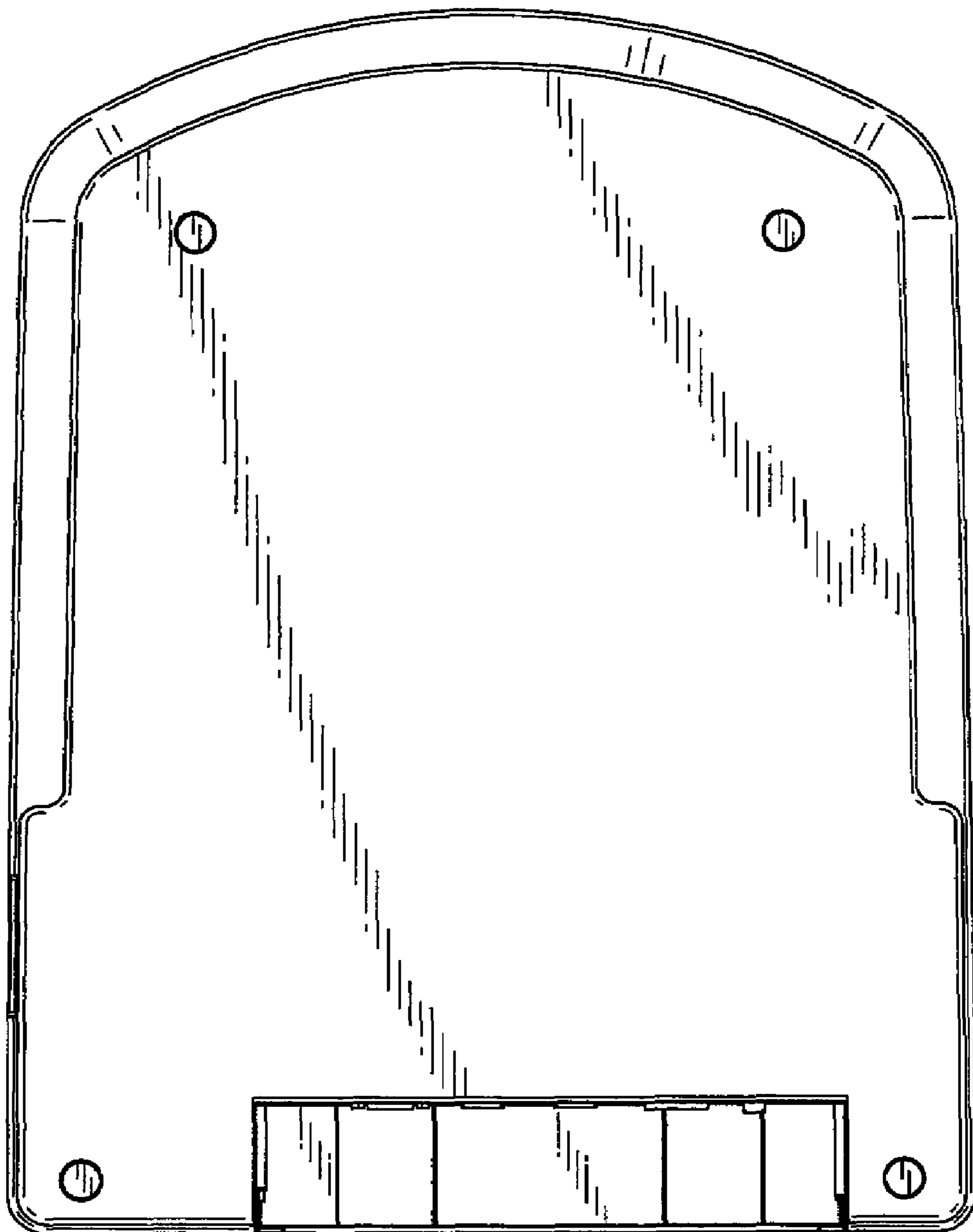


Fig.7

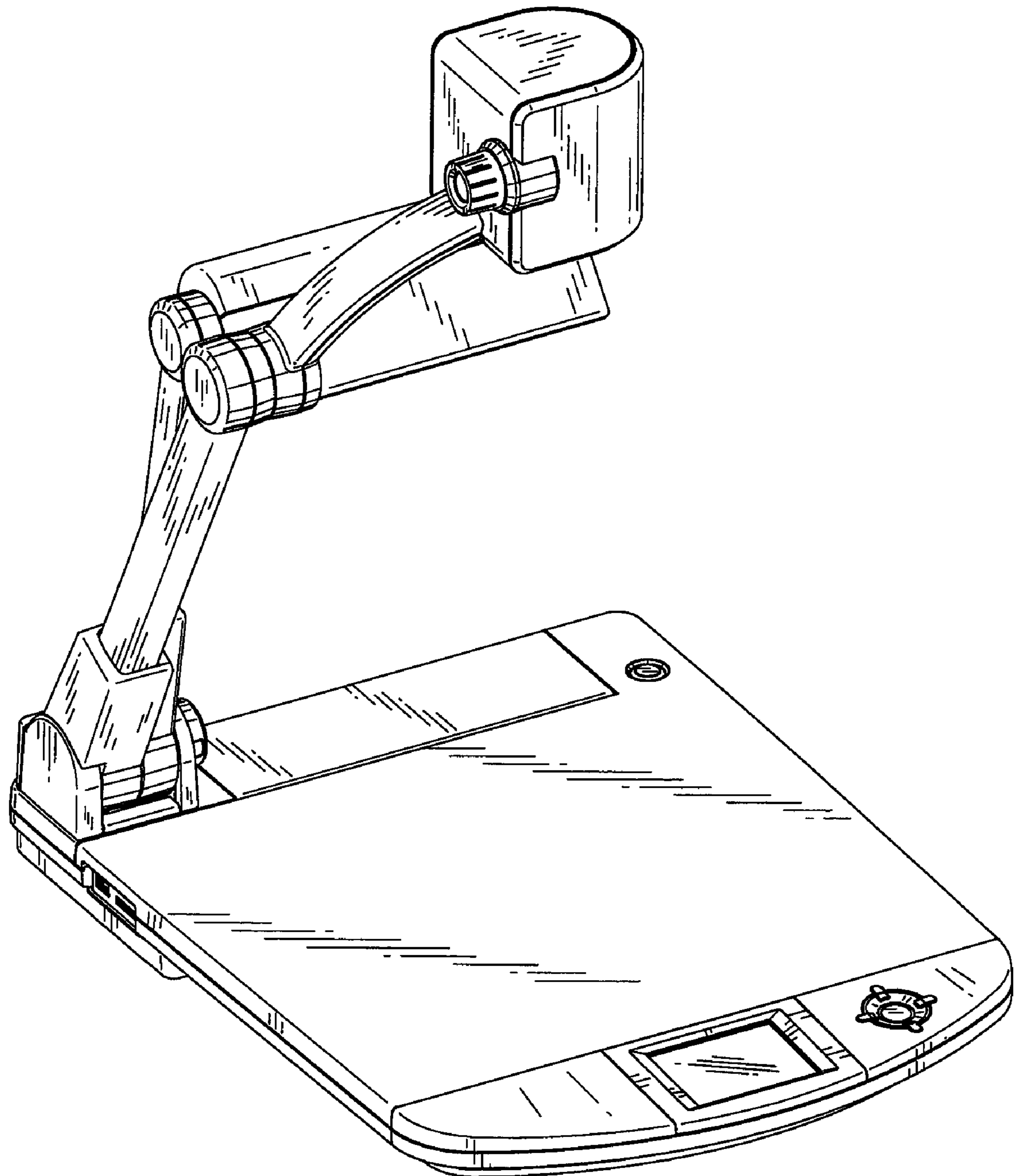


Fig.8

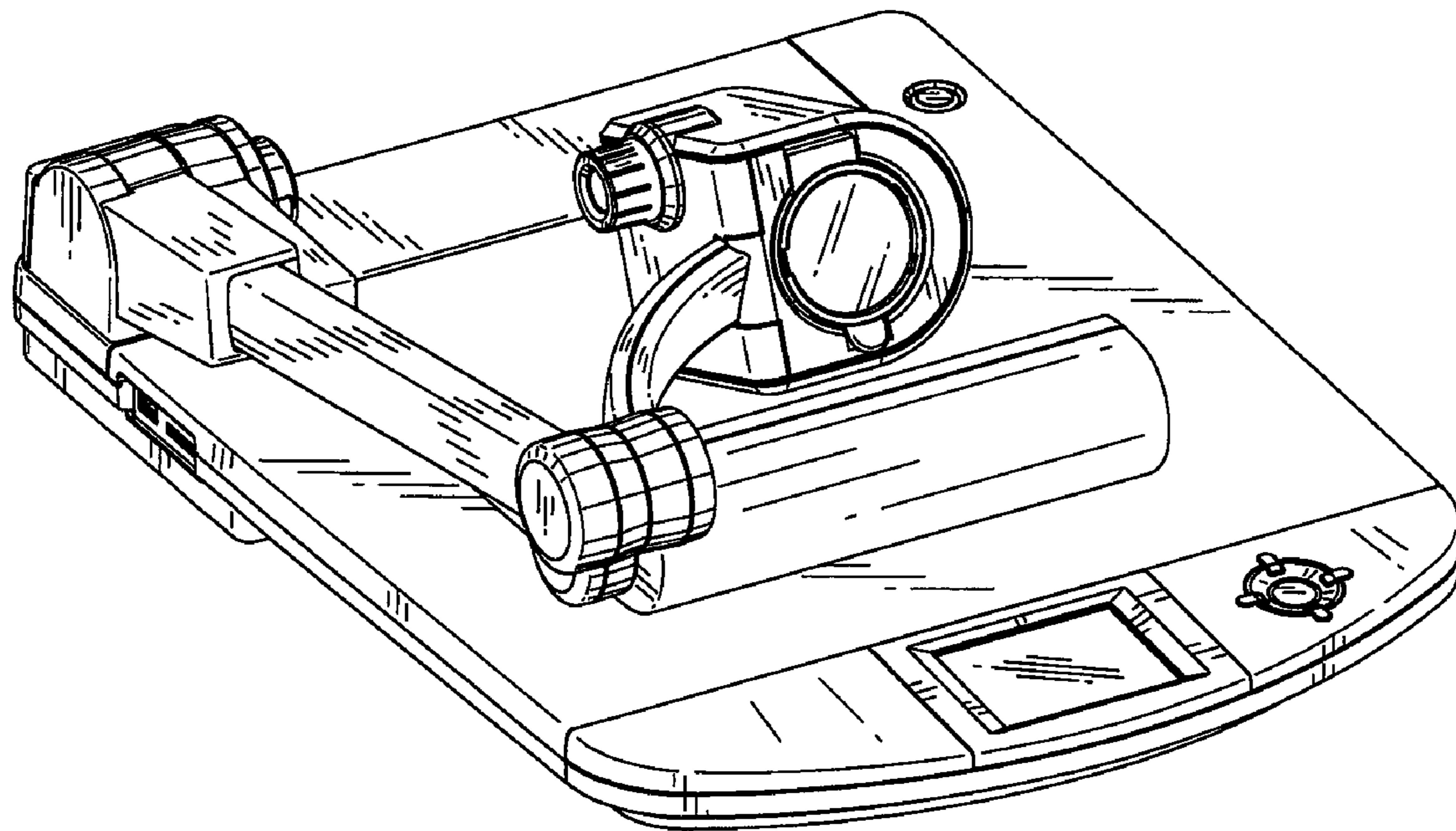


Fig.9

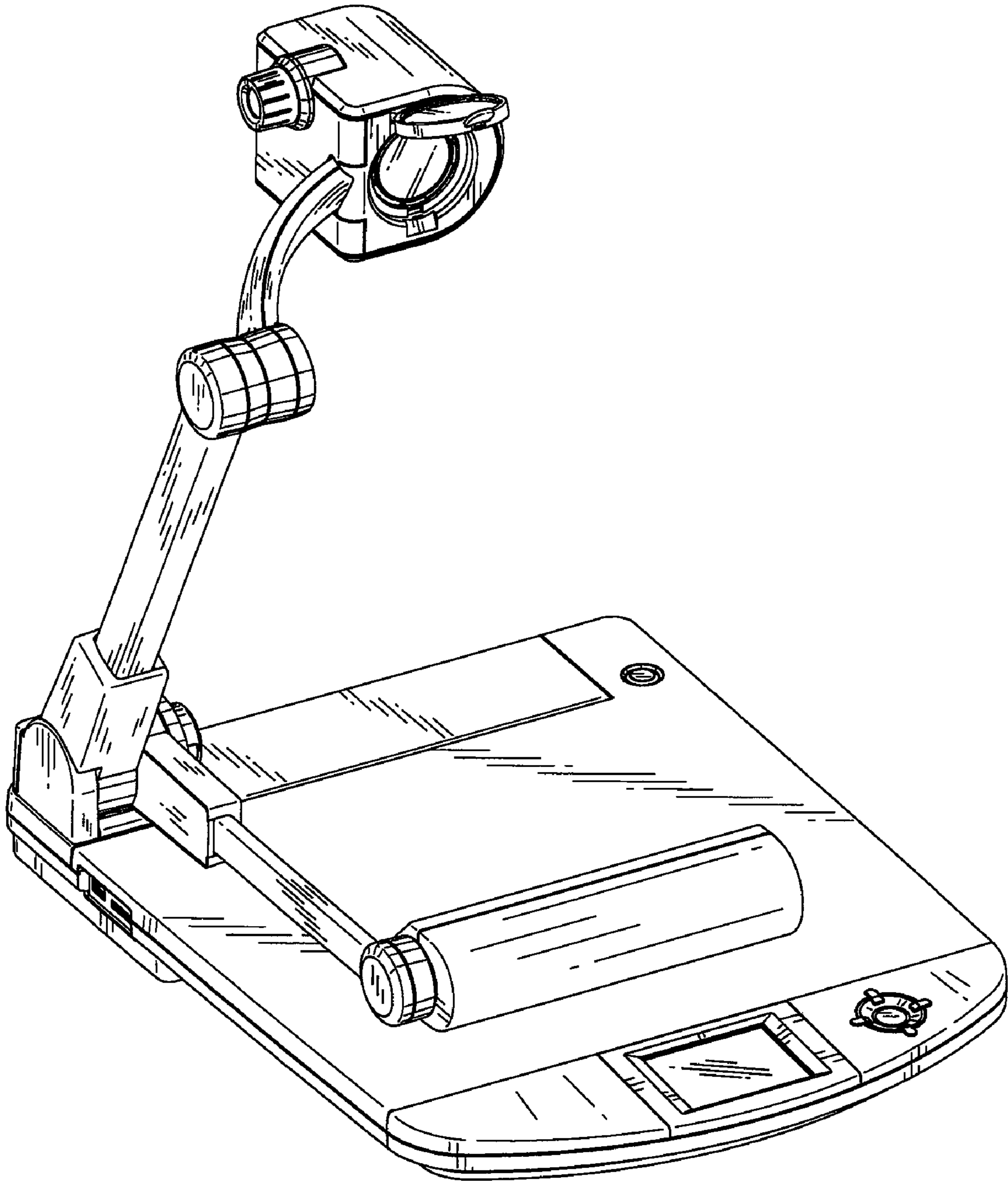


Fig.10

