



US00D612845S

(12) **United States Design Patent**
Morabito

(10) **Patent No.:** **US D612,845 S**
(45) **Date of Patent:** **** Mar. 30, 2010**

(54) **ELECTRONIC DEVICE**

(75) Inventor: **Pascal Ito Morabito**, Paris (FR)

(73) Assignee: **Deutsche Telekom AG** (DE)

(**) Term: **14 Years**

(21) Appl. No.: **29/329,741**

(22) Filed: **Dec. 19, 2008**

(51) **LOC (9) Cl.** **14-02**

(52) **U.S. Cl.** **D14/341**

(58) **Field of Classification Search** D14/341-347,
D14/138, 454-456, 391, 218, 327, 338, 387,
D14/390, 399, 426, 429, 432, 439, 247, 496,
D14/125, 126, 129, 318, 326, 248; D18/7;
D13/168; D21/517, 329, 330, 331; D10/65,
D10/104; D19/26; 455/556.1, 556.2, 566,
455/575.1; 361/680; 345/169; 379/433.04,
379/433.06, 433.07, 433.11, 433.12, 433.13;
348/14.02

See application file for complete search history.

(56) **References Cited**

U.S. PATENT DOCUMENTS

D270,063 S *	8/1983	Ackeret	D6/308
D516,579 S *	3/2006	Nakamura	D14/496
D543,553 S *	5/2007	Langberg et al.	D14/496
D548,733 S *	8/2007	Johansson	D14/341
D551,253 S *	9/2007	Shin	D14/496
D571,825 S *	6/2008	Ledbetter et al.	D14/496
D572,227 S *	7/2008	Yoon et al.	D14/138 G
D584,708 S *	1/2009	Wu et al.	D14/138 AD
D592,659 S *	5/2009	Montgomery et al.	D14/341
D593,984 S *	6/2009	Hirano	D14/138 AD

FOREIGN PATENT DOCUMENTS

DE	402008000099 S	3/2008
EM	898465-0001 S	6/2008
EM	898465-0002 S	6/2008

EM	898465-0003 S	6/2008
EM	898465-0004 S	6/2008
EM	898465-0005 S	6/2008
EM	898465-0006 S	6/2008
EM	898465-0007 S	6/2008
EM	898465-0008 S	6/2008

(Continued)

Primary Examiner—Cathron C Brooks
Assistant Examiner—Barbara Fox
(74) *Attorney, Agent, or Firm*—Lovells LLP

(57) **CLAIM**

The ornamental design for an electronic device, as shown and described.

DESCRIPTION

FIG. 1 is a perspective view from the front top side of an electronic device showing the new design;

FIG. 2 is a perspective view from front bottom side of the design shown in FIG. 1;

FIG. 3 is a perspective view from rear top side of the design shown in FIG. 1;

FIG. 4 is a perspective view from rear bottom side of the design shown in FIG. 1;

FIG. 5 is a front view of the design shown in FIG. 1;

FIG. 6 is a rear view of the design shown in FIG. 1;

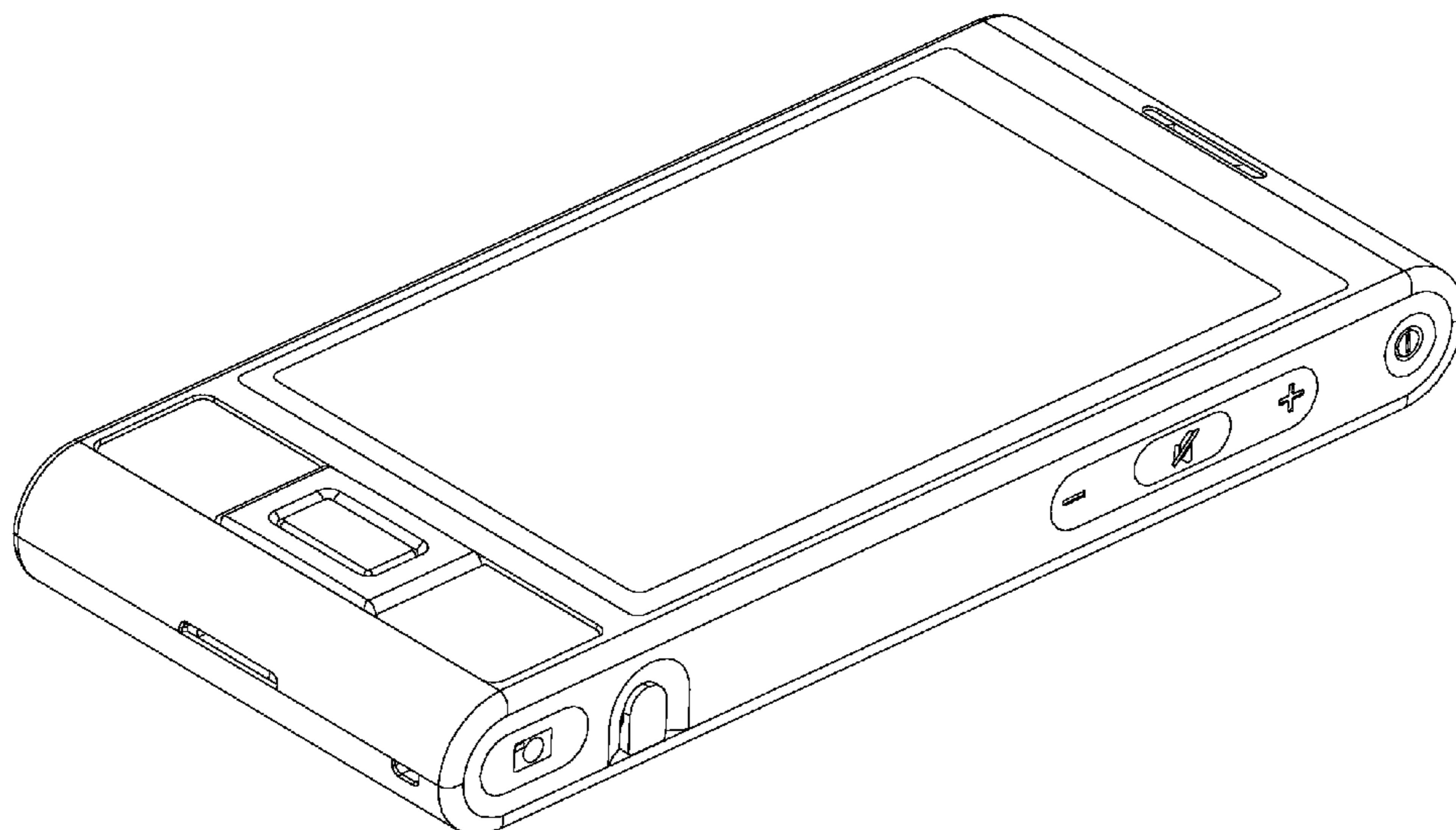
FIG. 7 is a top side view of the design shown in FIG. 1;

FIG. 8 is a bottom side view of the design shown in FIG. 1;

FIG. 9 is a left side view of the design shown in FIG. 1; and,

FIG. 10 is a right side view of the design shown in FIG. 1.

1 Claim, 10 Drawing Sheets



US D612,845 S

Page 2

FOREIGN PATENT DOCUMENTS		
EM	898465-0009 S	6/2008
EM	898465-0010 S	6/2008
EM	898465-0011 S	6/2008
EM	898465-0012 S	6/2008
EM	898465-0013 S	6/2008
EM	902663-0005 S	7/2008
EM	1013874-0002 S	10/2008
EM	1013874-0004 S	10/2008

* cited by examiner

FIG. 1

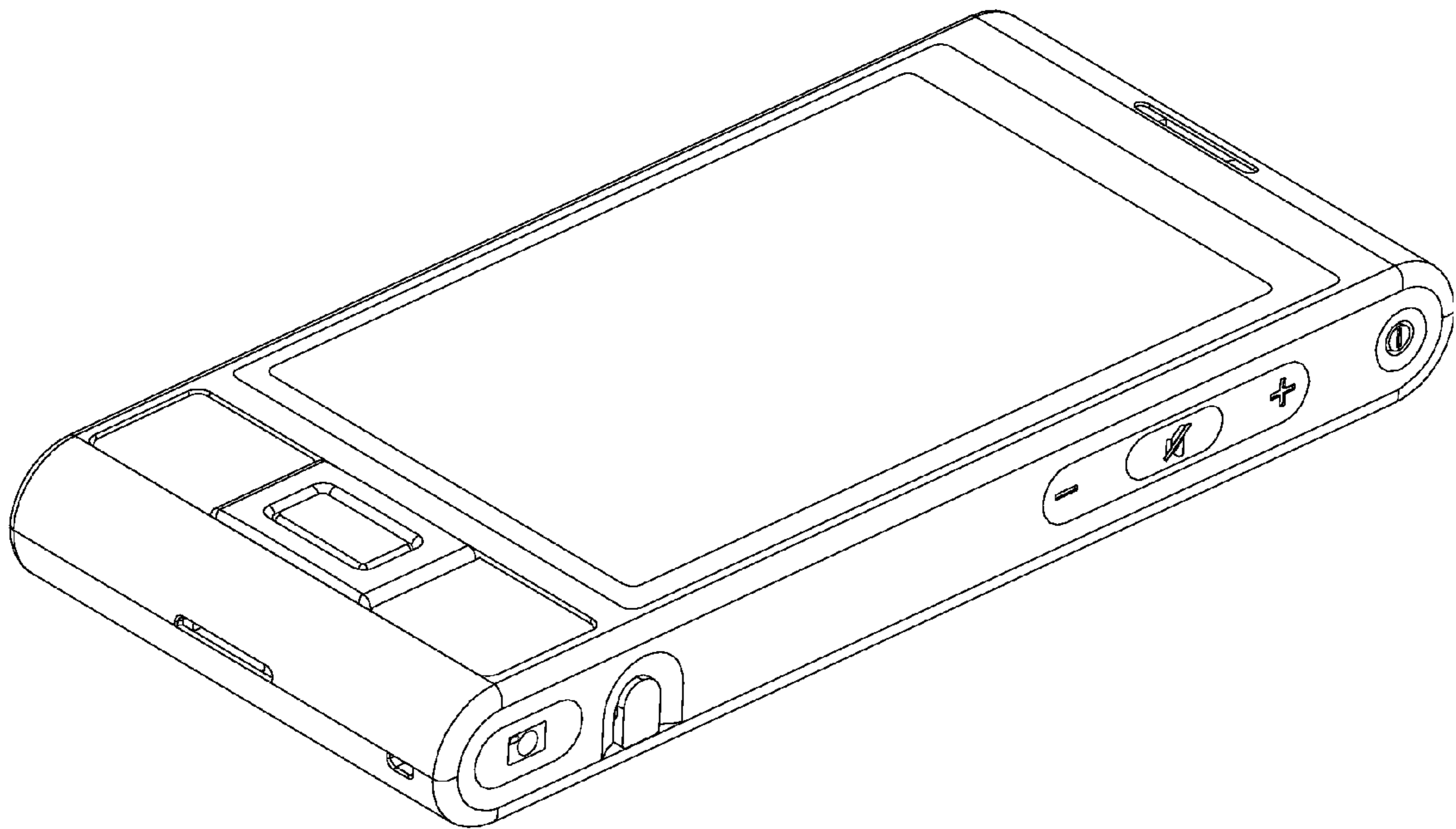


FIG. 2

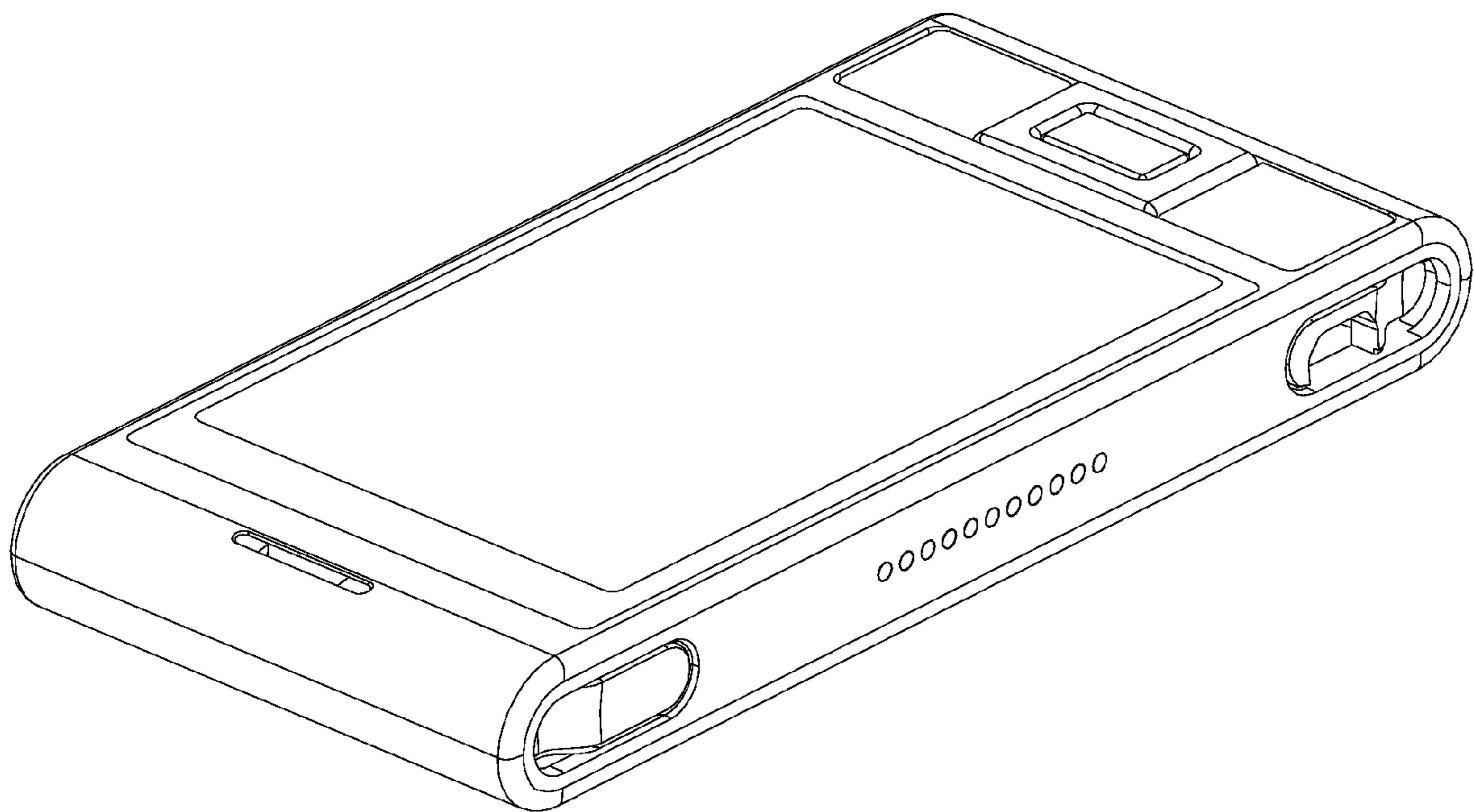


FIG. 3

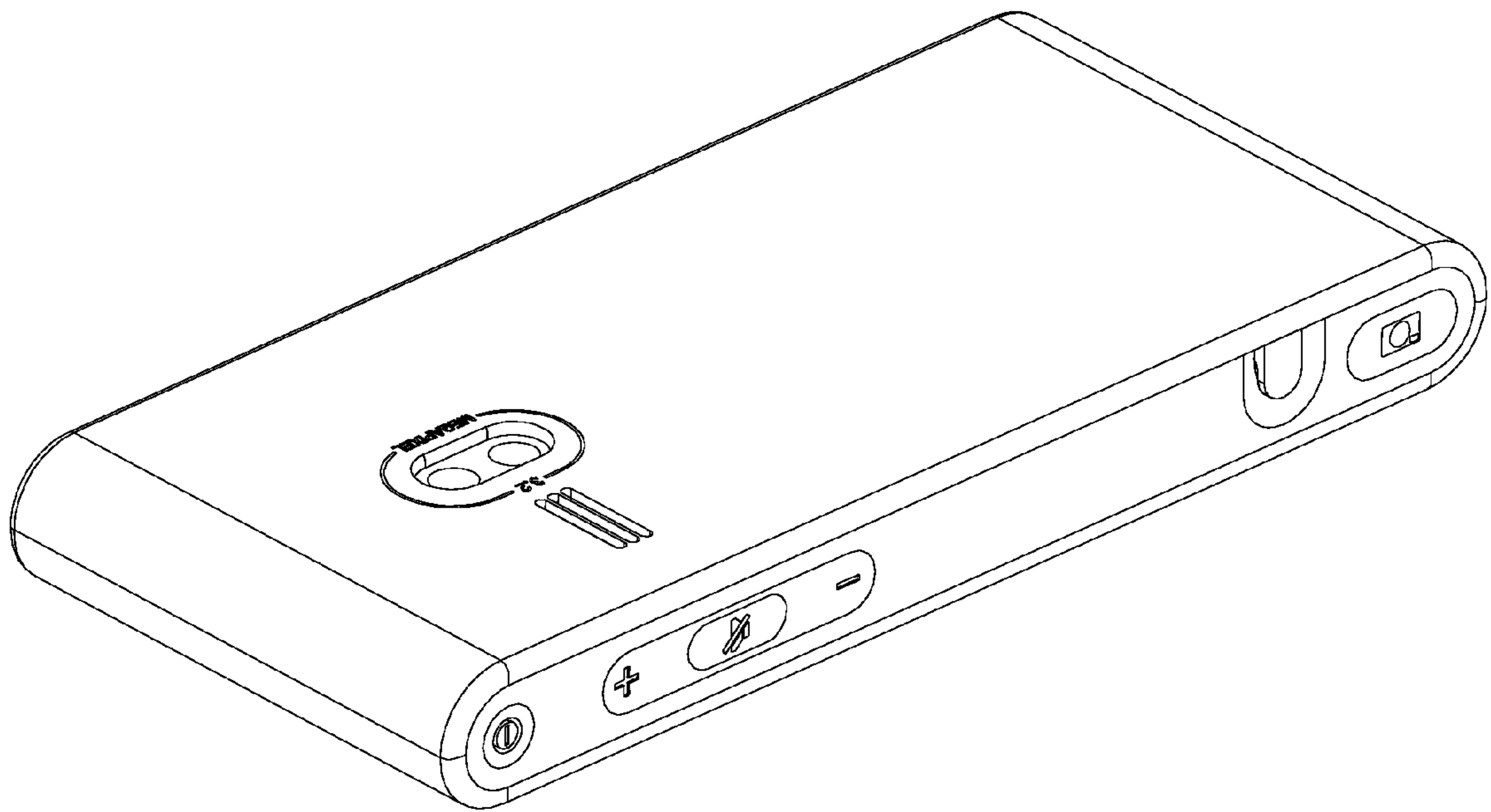


FIG. 4

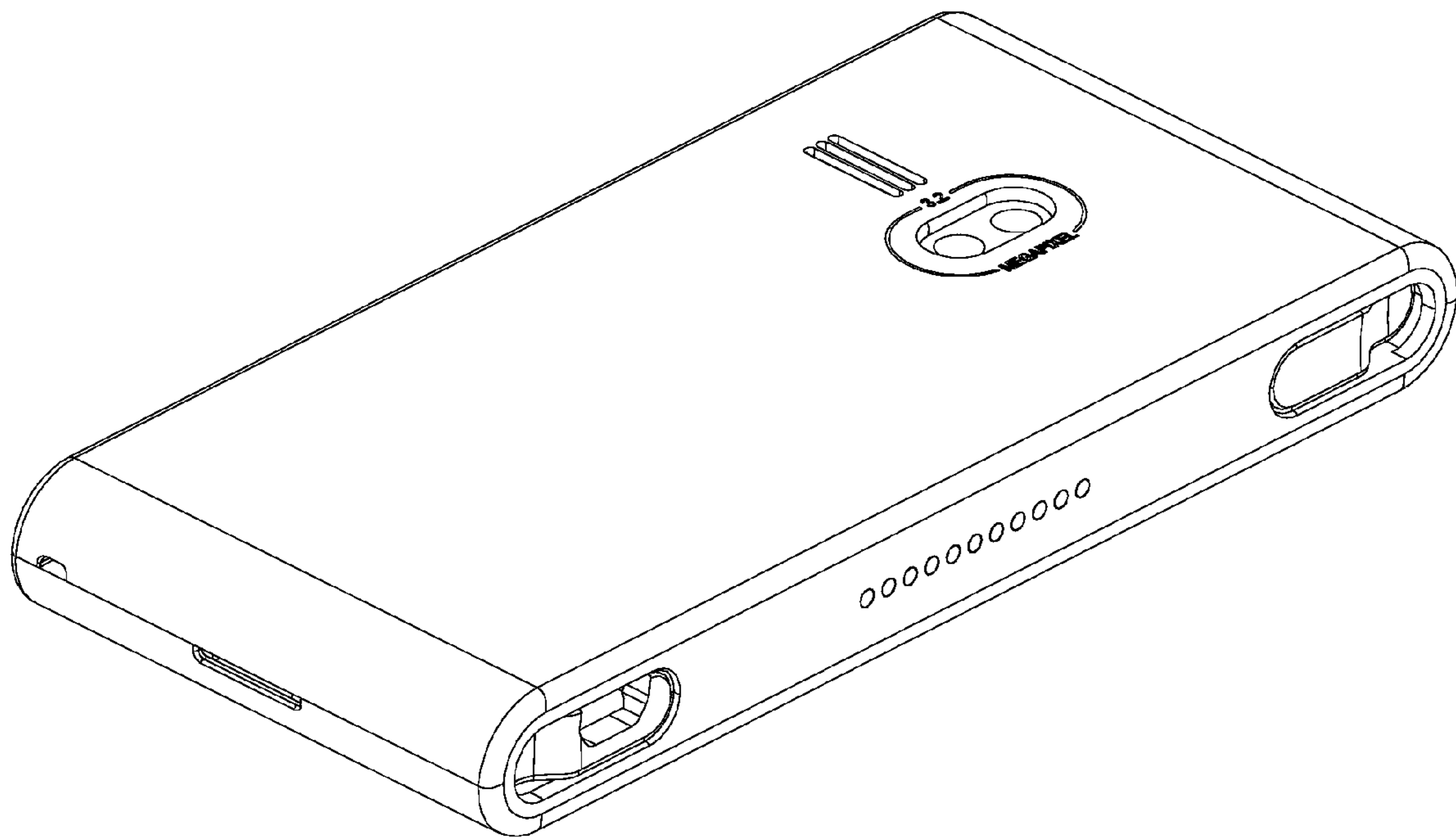


FIG. 5

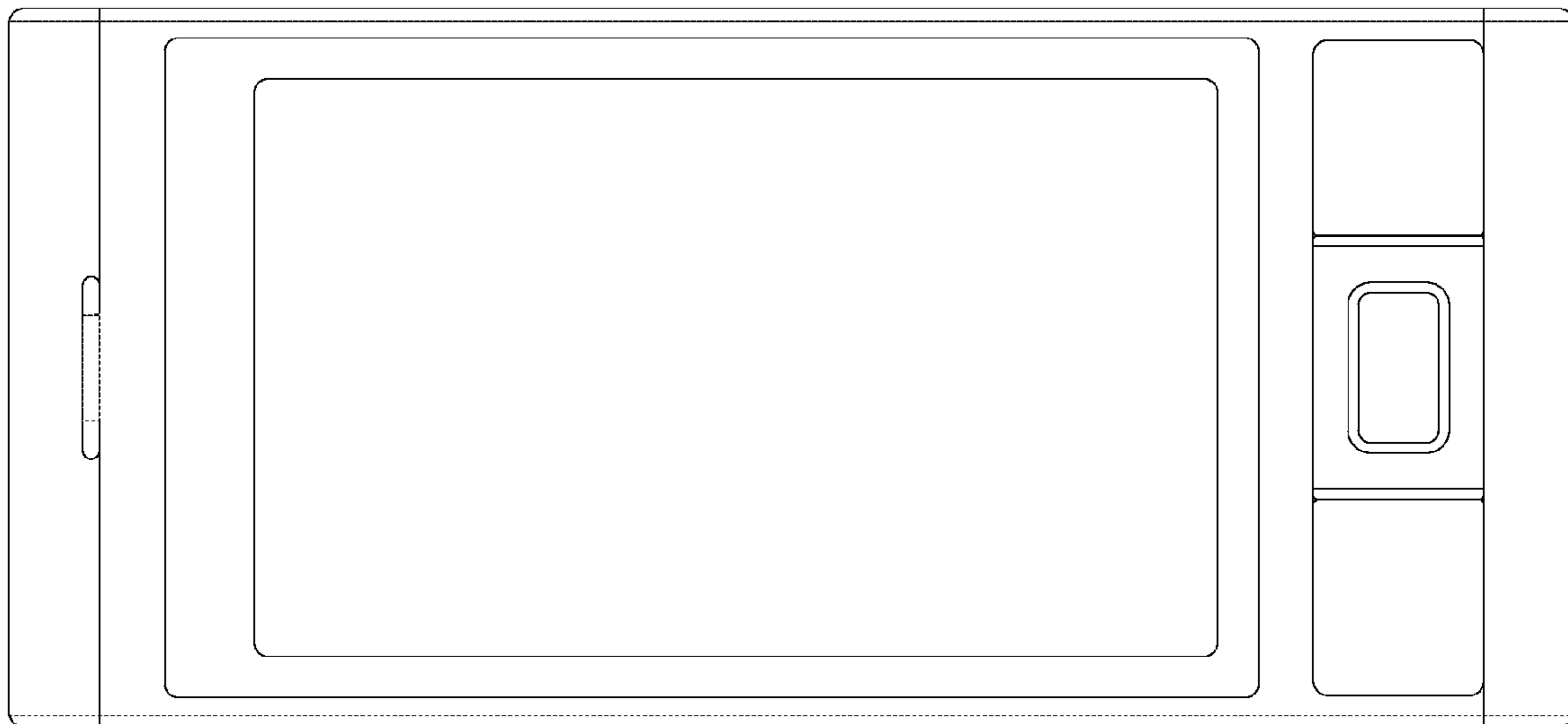


FIG. 6

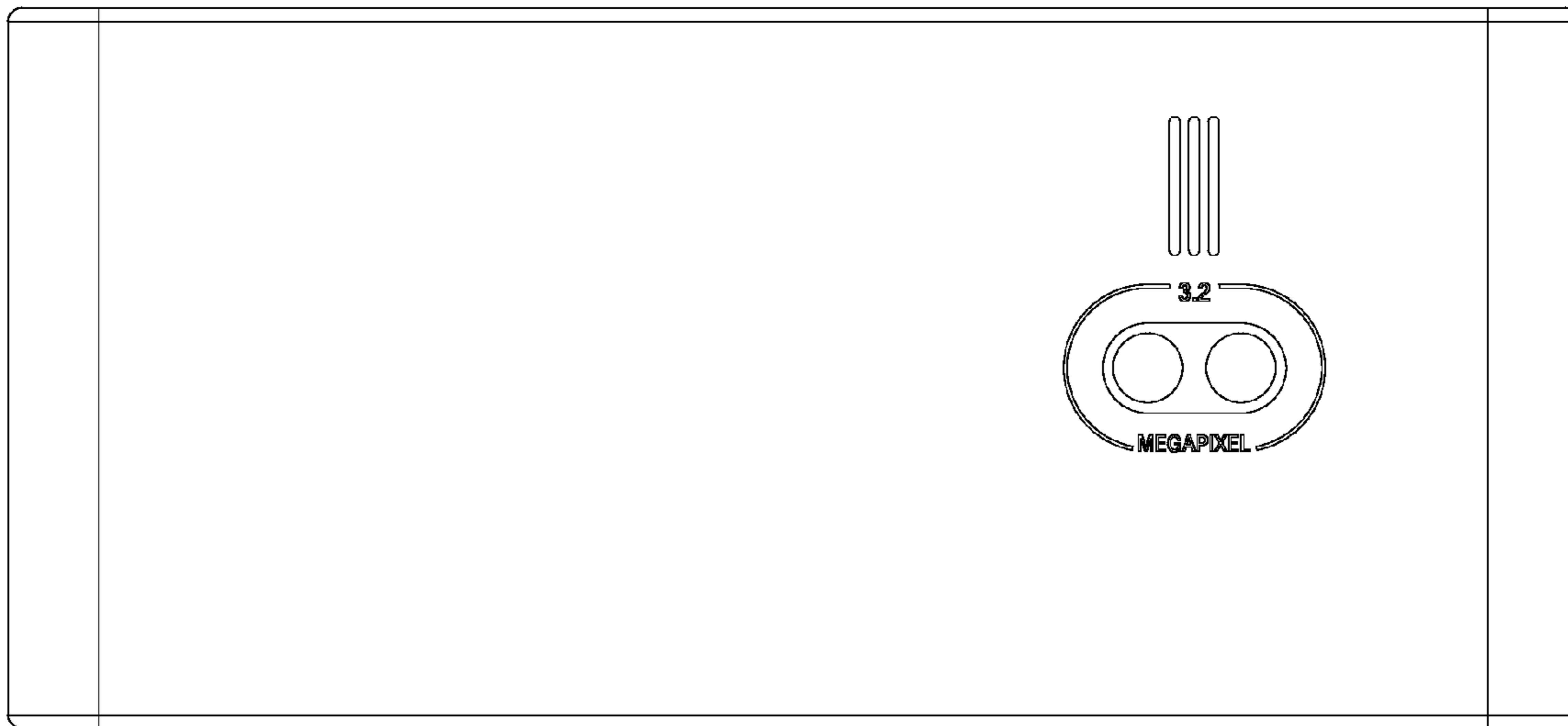


FIG. 7

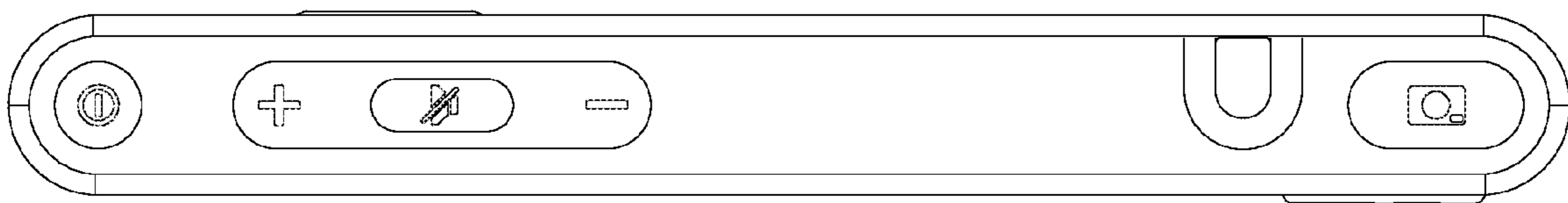


FIG. 8

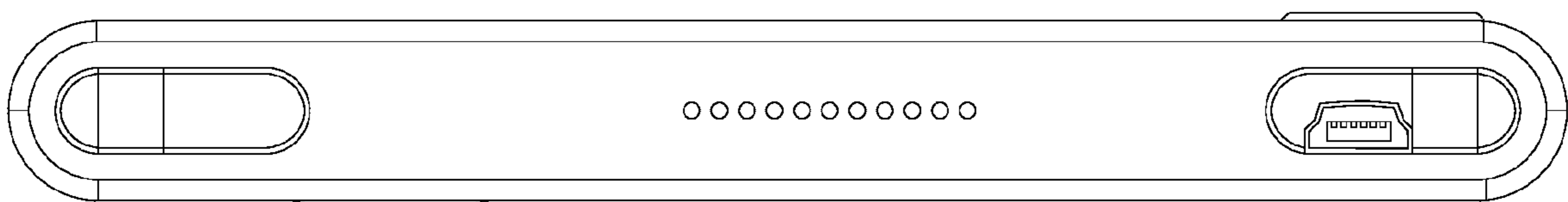


FIG. 9

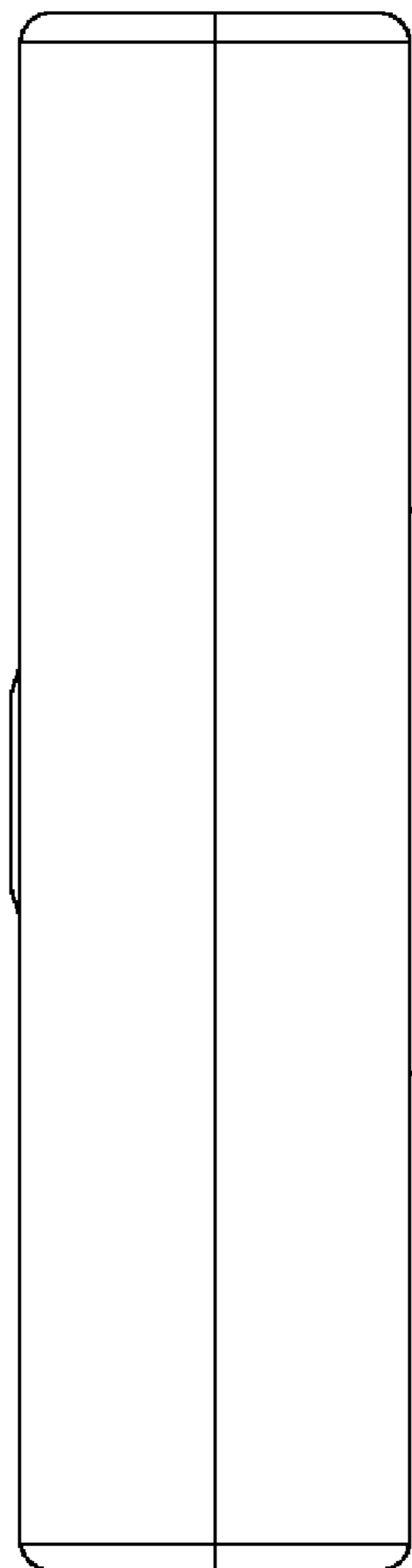
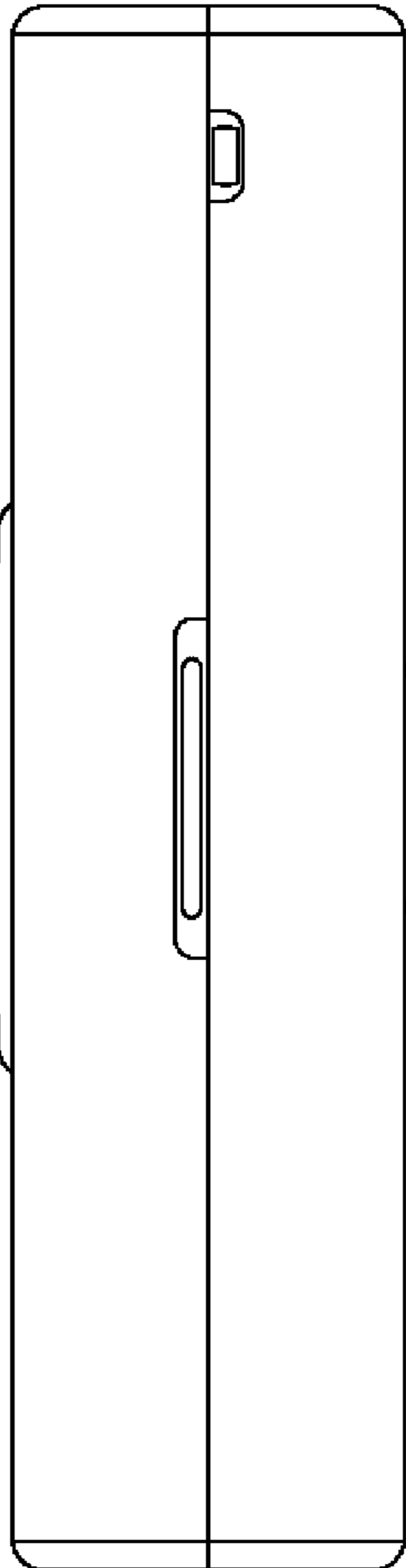


FIG. 10



UNITED STATES PATENT AND TRADEMARK OFFICE
CERTIFICATE OF CORRECTION

PATENT NO. : Des. 612,845 S
APPLICATION NO. : 29/329741
DATED : March 30, 2010
INVENTOR(S) : Morabito

Page 1 of 3

It is certified that error appears in the above-identified patent and that said Letters Patent is hereby corrected as shown below:

The drawing sheet, consisting of Figs. 5 and 7, should be deleted to be replaced with
the drawing sheet, consisting of Figs. 5 and 7, as shown on the attached pages.

Signed and Sealed this

Eighth Day of June, 2010

A handwritten signature in black ink that reads "David J. Kappos". The signature is written in a cursive style with a large initial 'D' and a stylized 'K'.

David J. Kappos
Director of the United States Patent and Trademark Office

FIG. 5

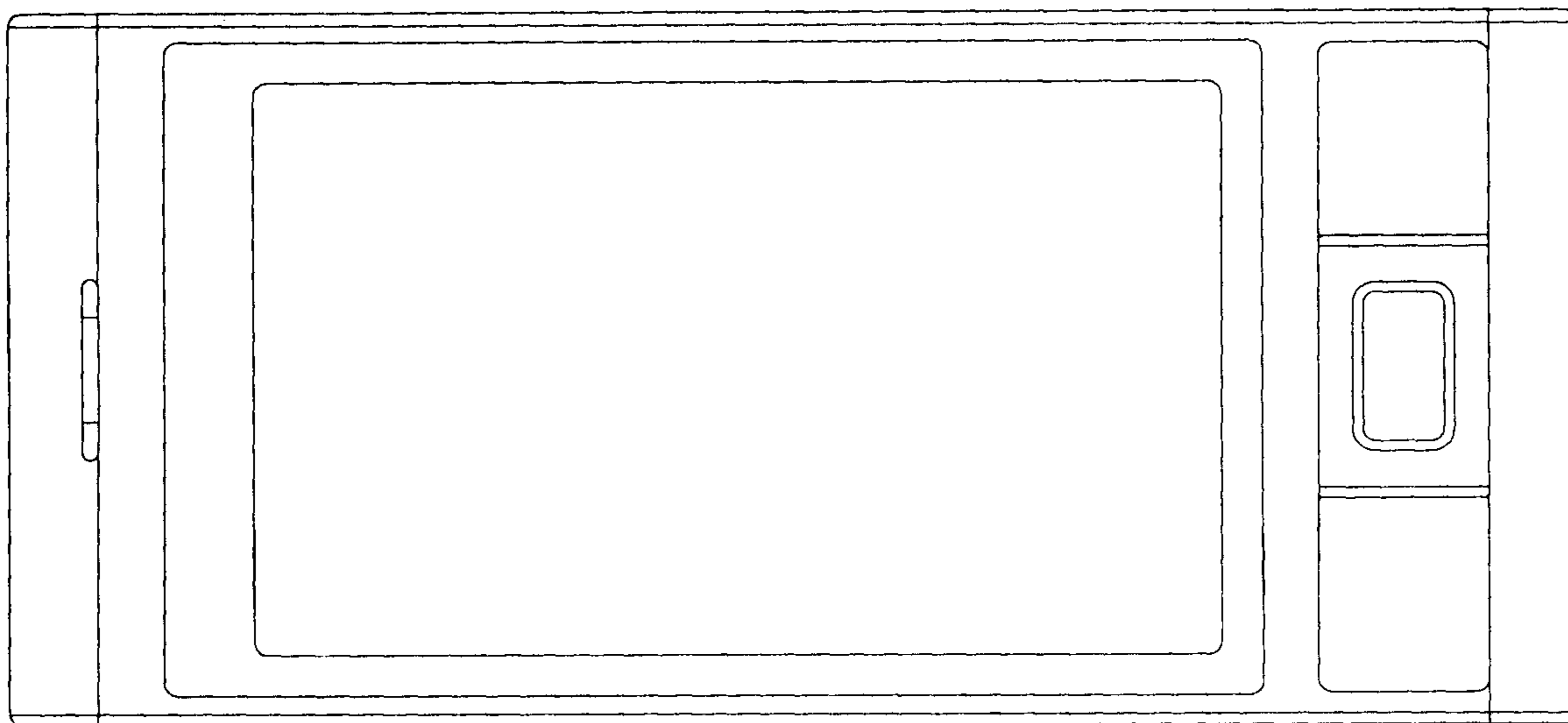


FIG. 7

