



US00D612841S

(12) **United States Design Patent**
Harbeke et al.

(10) **Patent No.:** **US D612,841 S**
(45) **Date of Patent:** **** Mar. 30, 2010**

(54) **EARPHONES**

(75) Inventors: **Christian Harbeke**, Zurich (CH); **Peter Boschung**, Schmittlen (CH); **Mihaela Grigorie**, Muntelier (CH); **Christian Scholz**, Zurich (CH)

(73) Assignee: **Phonak AG**, Stäfa (CH)

(**) Term: **14 Years**

(21) Appl. No.: **29/343,757**

(22) Filed: **Sep. 18, 2009**

Related U.S. Application Data

(62) Division of application No. 29/328,135, filed on Nov. 19, 2008, now Pat. No. Des. 603,379.

(51) **LOC (9) Cl.** **14-01**

(52) **U.S. Cl.** **D14/223**

(58) **Field of Classification Search** D14/205,
D14/206, 223; 379/430; 181/129, 130, 135;
381/380, 328, 322; D24/106, 174; 128/864,
128/865; 600/474

See application file for complete search history.

(56) **References Cited**

U.S. PATENT DOCUMENTS

3,197,577	A	7/1965	Kuklock	
4,554,993	A	11/1985	Houng	
4,588,867	A	5/1986	Konomi	
4,602,642	A	7/1986	O'Hara et al.	
4,880,076	A *	11/1989	Ahlberg et al.	181/130
4,965,838	A *	10/1990	Kamon et al.	381/380
D331,966	S *	12/1992	Gardner, Jr.	D24/106
D351,392	S	10/1994	Bridges	
D374,874	S	10/1996	Lindeman et al.	
D377,796	S	2/1997	Hayashi	
6,082,485	A *	7/2000	Smith	181/135
D463,399	S *	9/2002	Konomi	D14/206
D514,551	S	2/2006	Lee et al.	
D516,058	S	2/2006	Garcia	
D517,054	S	3/2006	Yang	

D519,108	S *	4/2006	Yang	D14/223
7,079,664	B2	7/2006	Nassimi	
7,082,206	B2 *	7/2006	Mahoney et al.	381/328
D533,865	S *	12/2006	Wittenbrock et al.	D14/206
7,212,646	B2	5/2007	Nassimi	
D550,200	S	9/2007	Drambarean et al.	
D550,201	S	9/2007	Drambarean et al.	
D550,657	S *	9/2007	Gan et al.	D14/223
D559,836	S	1/2008	Lee	
7,349,550	B2	3/2008	Oliveira et al.	
D572,703	S *	7/2008	Ledbetter et al.	D14/205

(Continued)

Primary Examiner—Paula Greene

(74) *Attorney, Agent, or Firm*—Rankin, Hill & Clark LLP

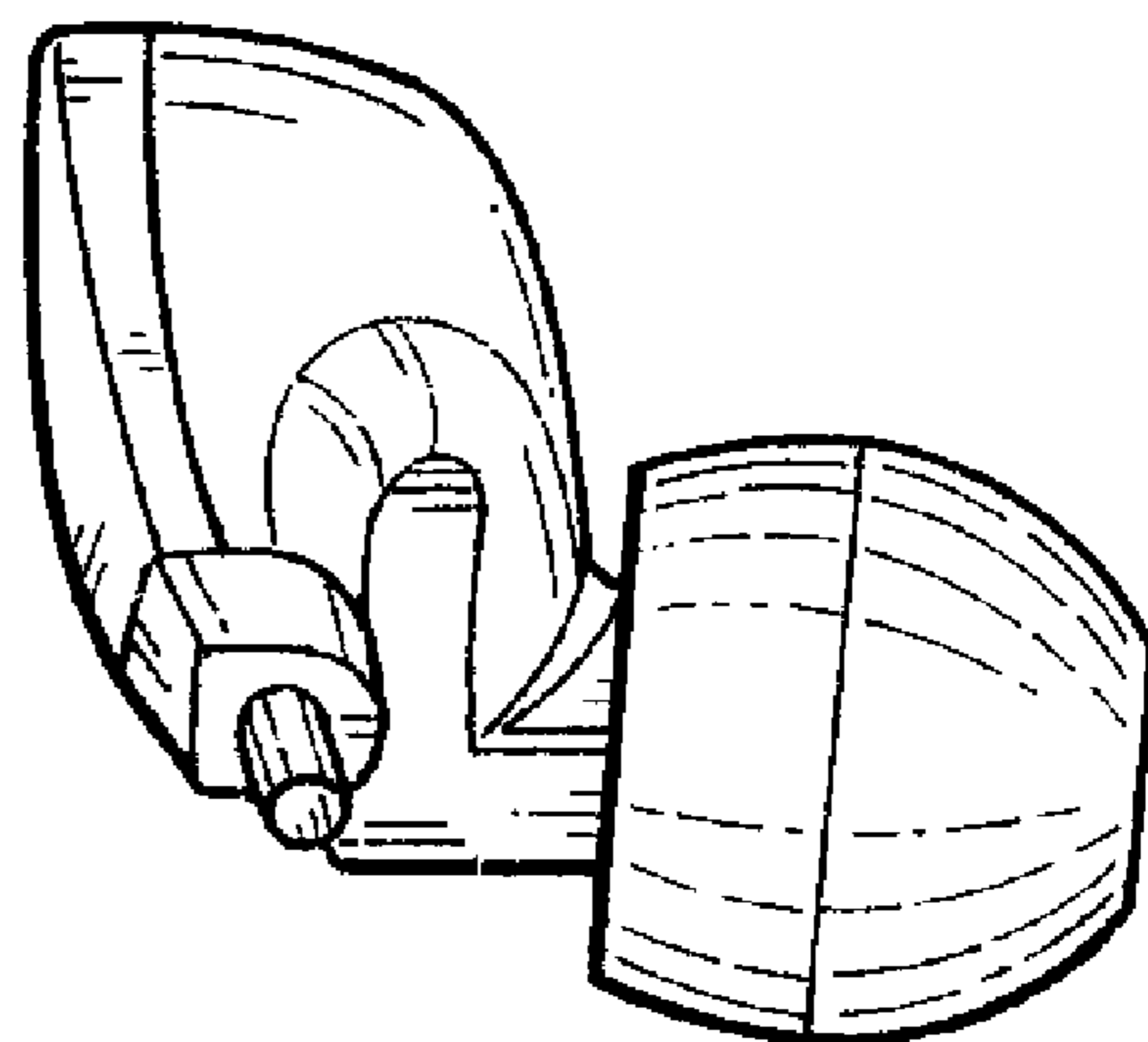
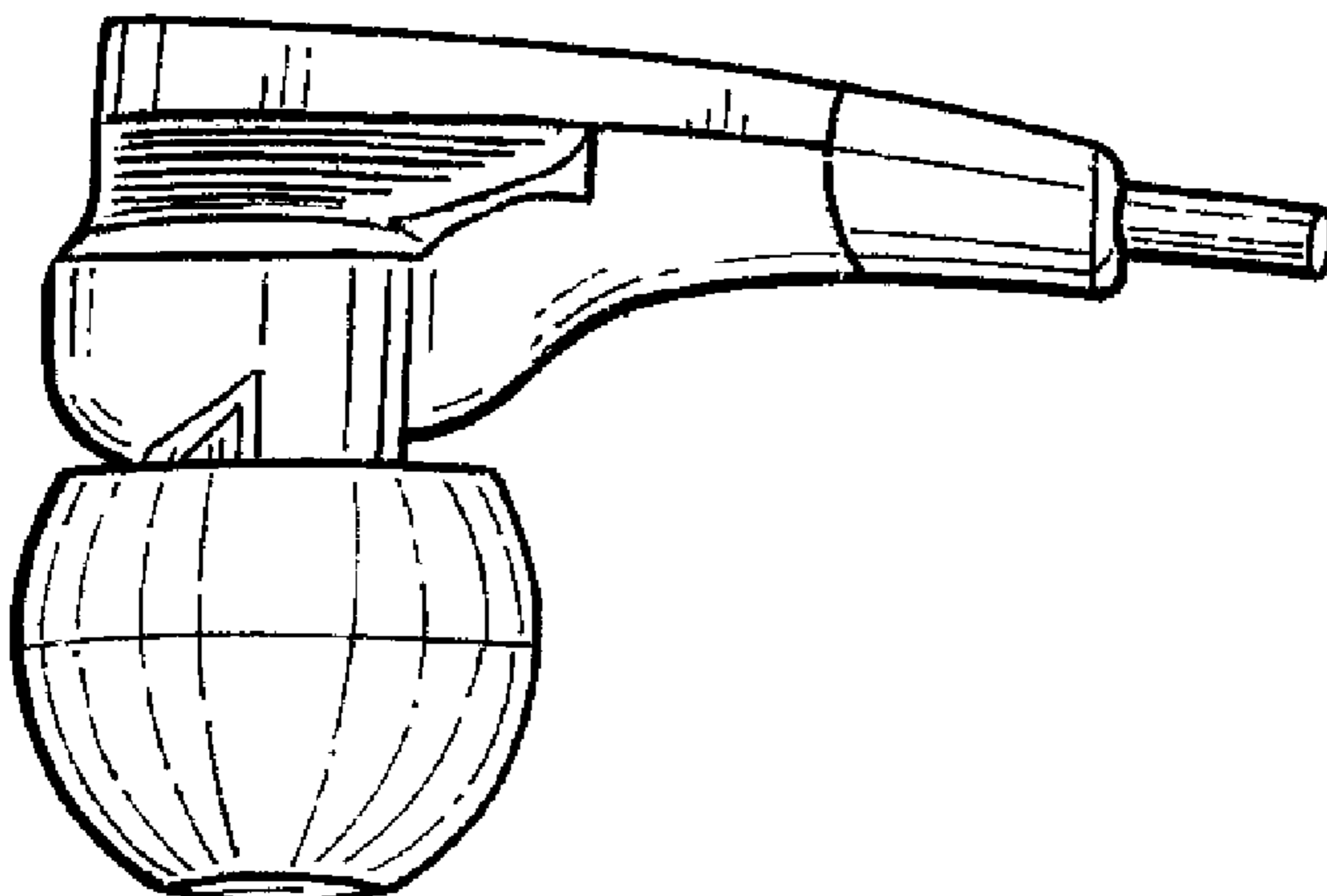
(57) **CLAIM**

The ornamental design for earphones, as shown and described.

DESCRIPTION

FIG. 1 is a top view of an earphone embodying our design; FIG. 2 is a left side elevational view of the earphone shown in FIG. 1; FIG. 3 is a rear view of the earphone shown in FIG. 1; FIG. 4 is a right side elevational view of the earphone shown in FIG. 1; FIG. 5 is a bottom view of the earphone shown in FIG. 1; FIG. 6 is a front view of the earphone shown in FIG. 1; FIG. 7 is a first perspective view of the earphone shown in FIG. 1; and, FIG. 8 is a second perspective view of the earphone shown in FIG. 1.

1 Claim, 1 Drawing Sheet



US D612,841 S

Page 2

U.S. PATENT DOCUMENTS

D573,978 S *	7/2008	Ledbetter et al.	D14/205	D579,923 S	11/2008	Andre et al.	
D574,361 S *	8/2008	Sasaki	D14/205	D581,396 S	11/2008	Wikel et al.	
D575,277 S	8/2008	Gaarde et al.		D582,897 S	12/2008	Christopher et al.	
D579,006 S	10/2008	Kim et al.		7,600,604 B2 *	10/2009	Babcock et al.	181/130
				D603,379 S *	11/2009	Harbeke et al.	D14/223

* cited by examiner

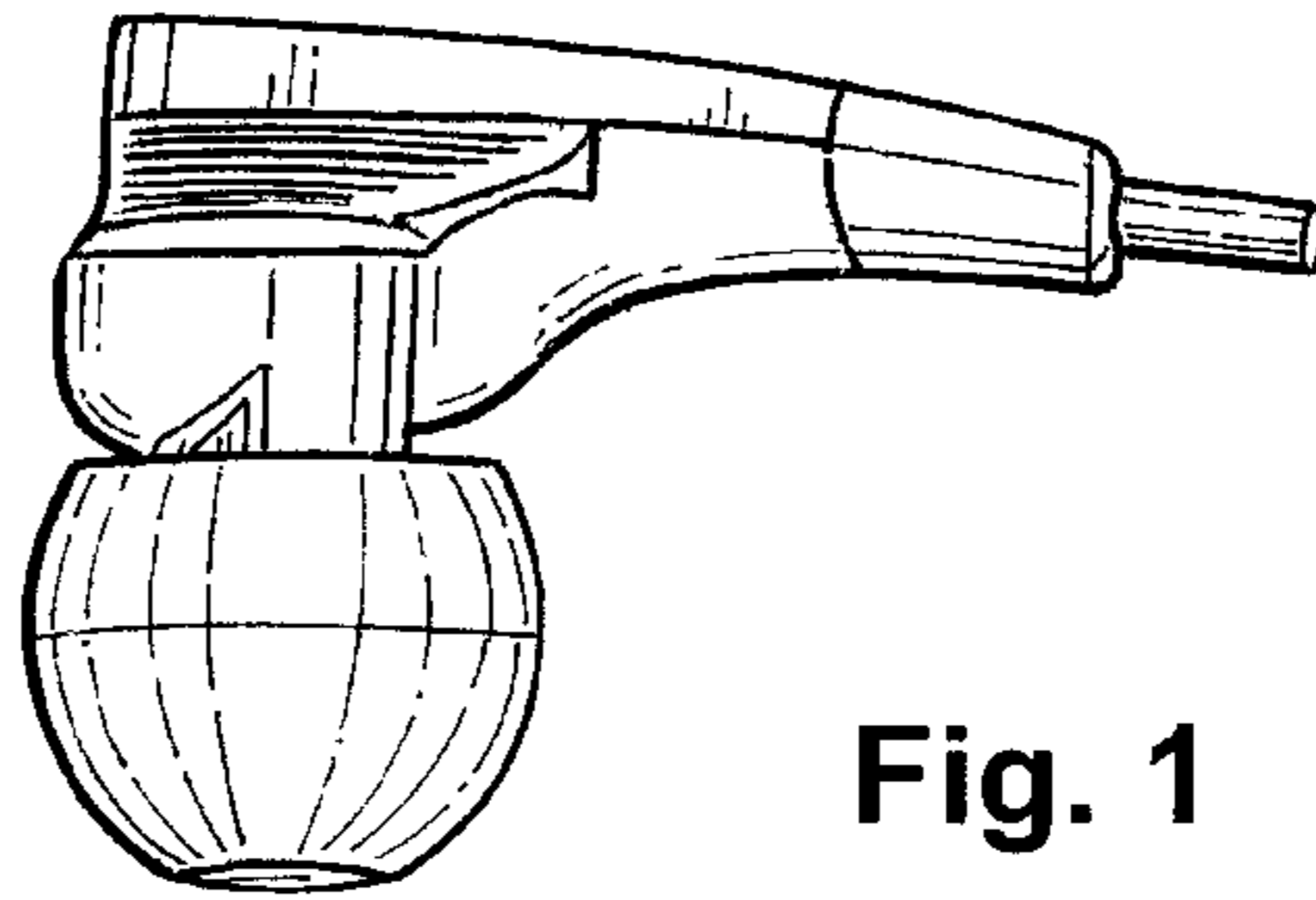


Fig. 1

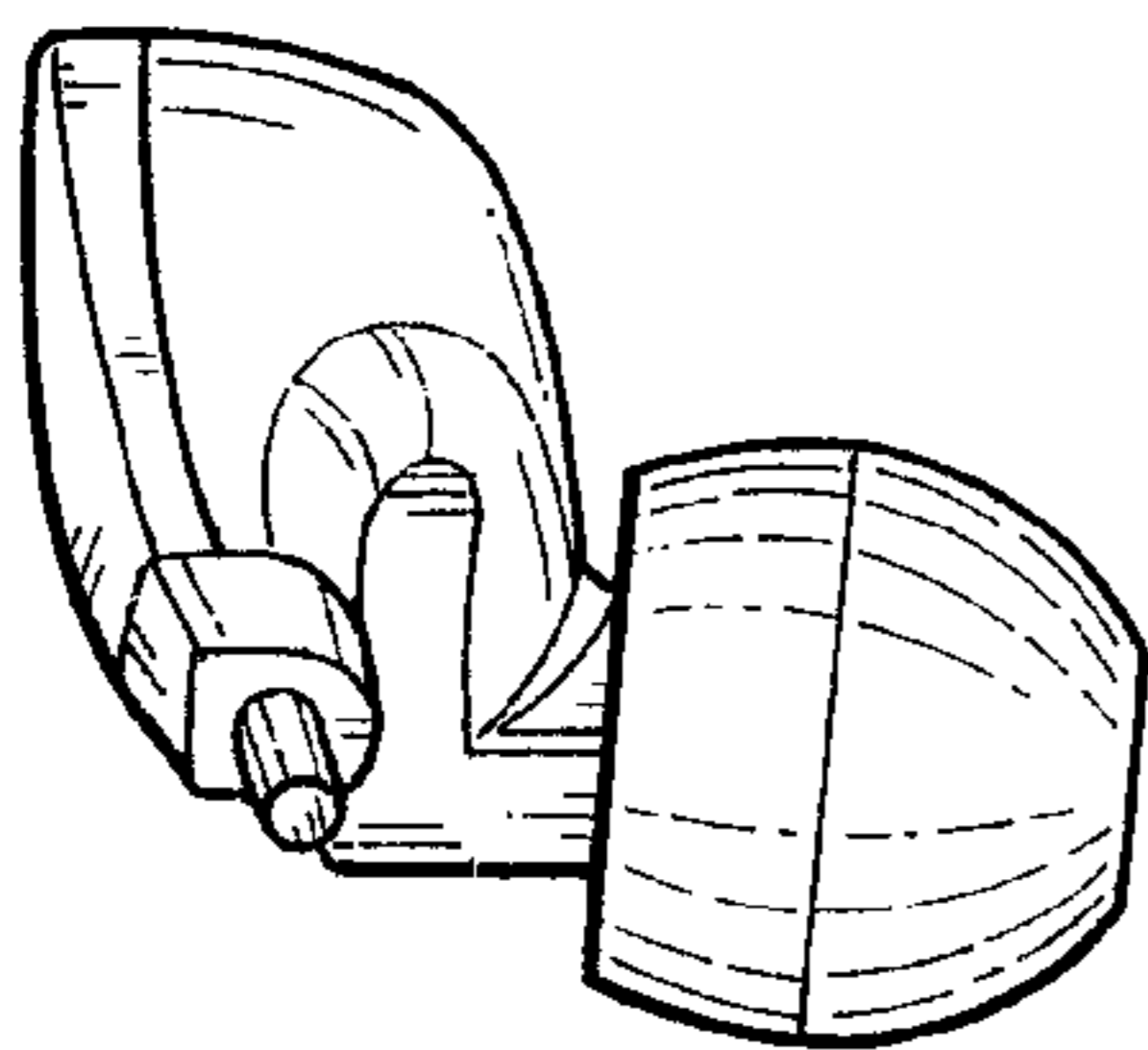


Fig. 2

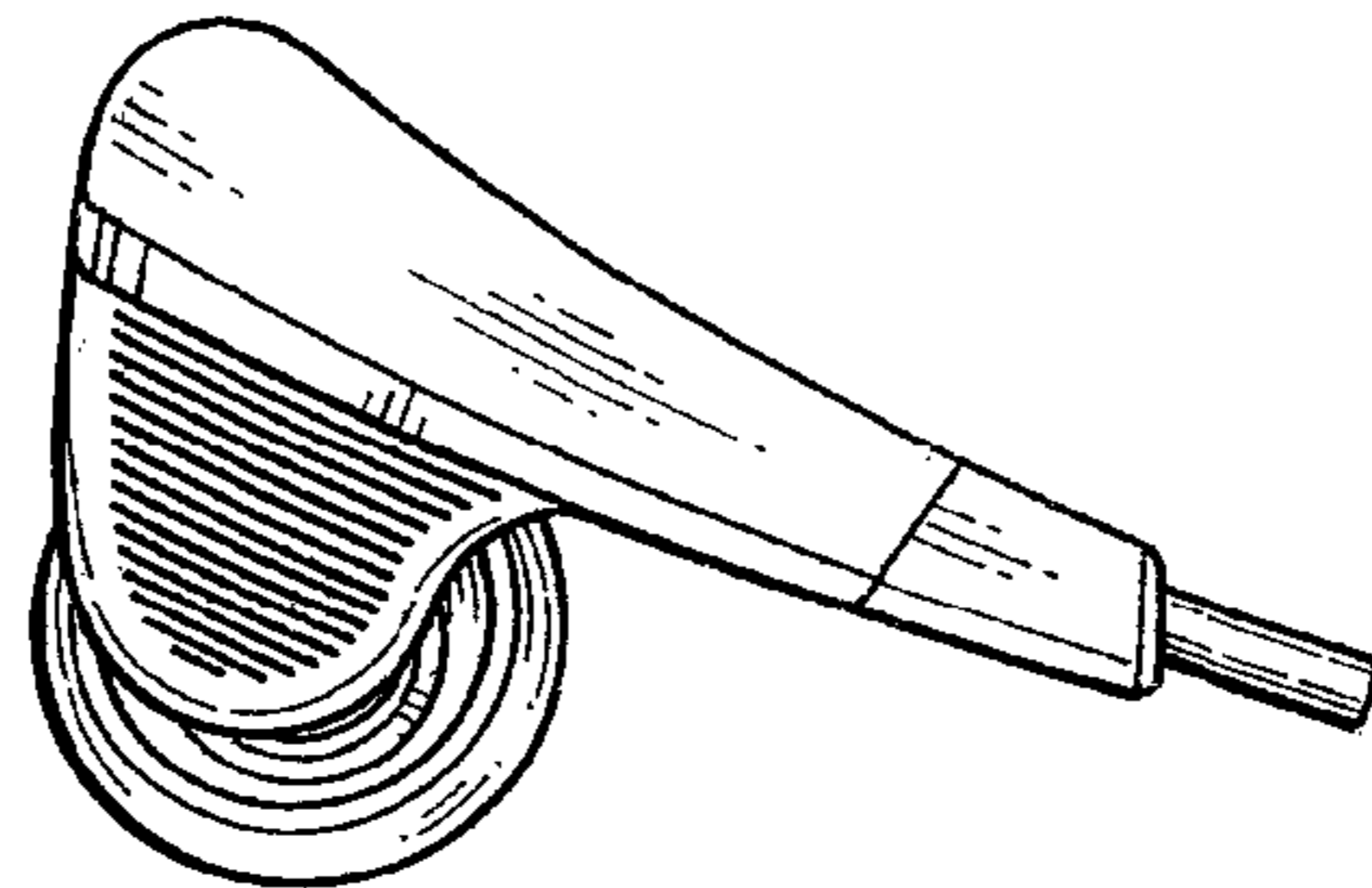


Fig. 3

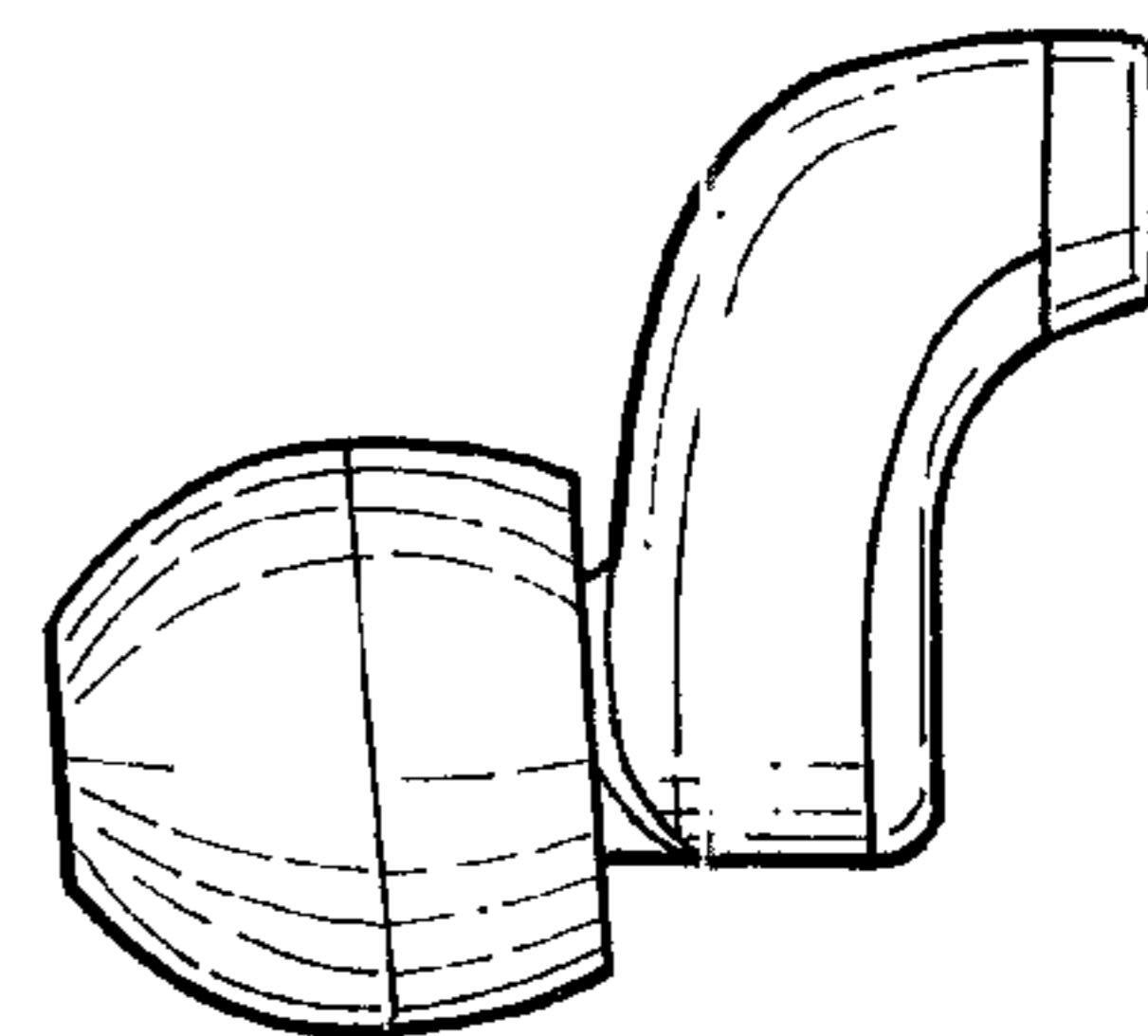


Fig. 4

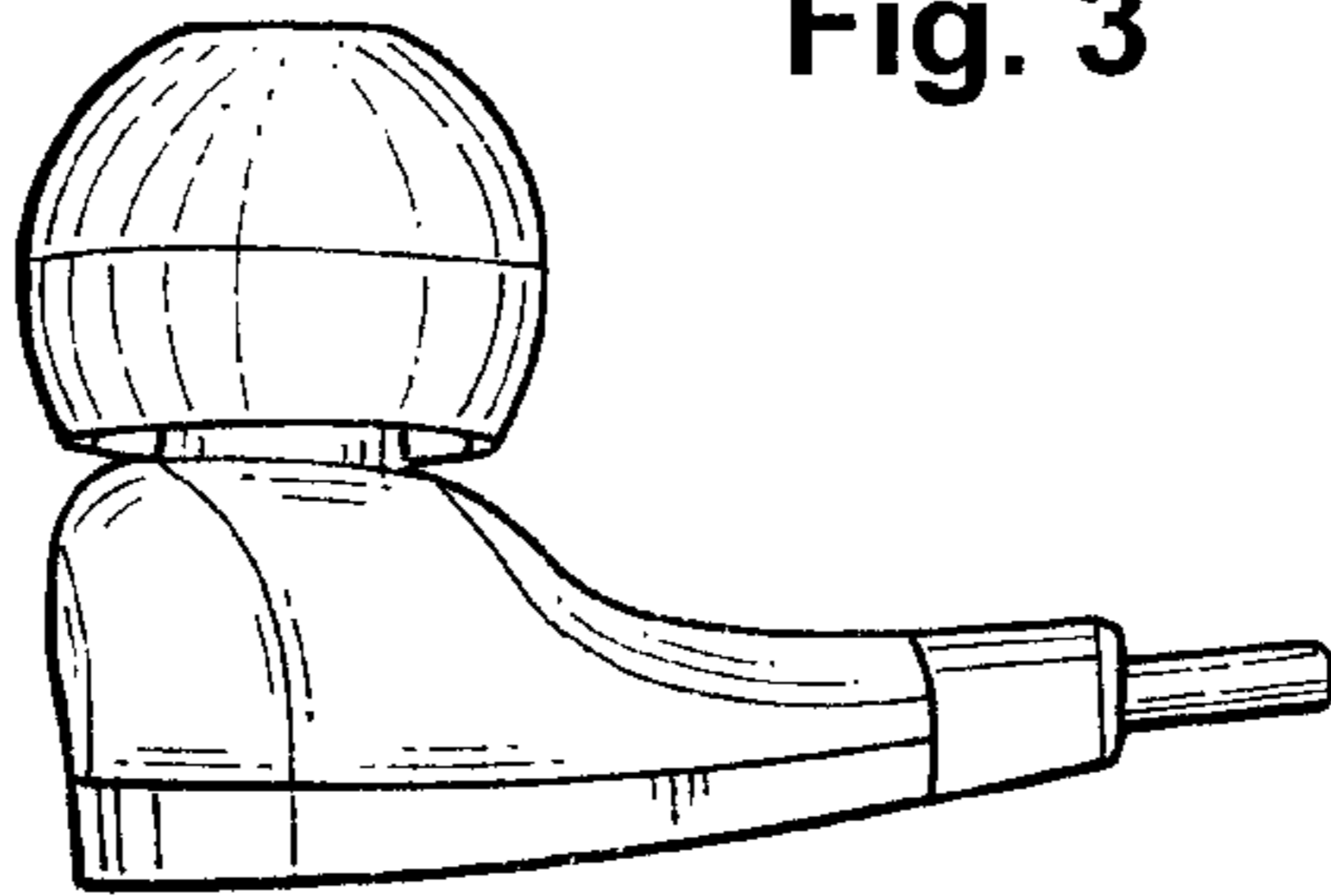


Fig. 5

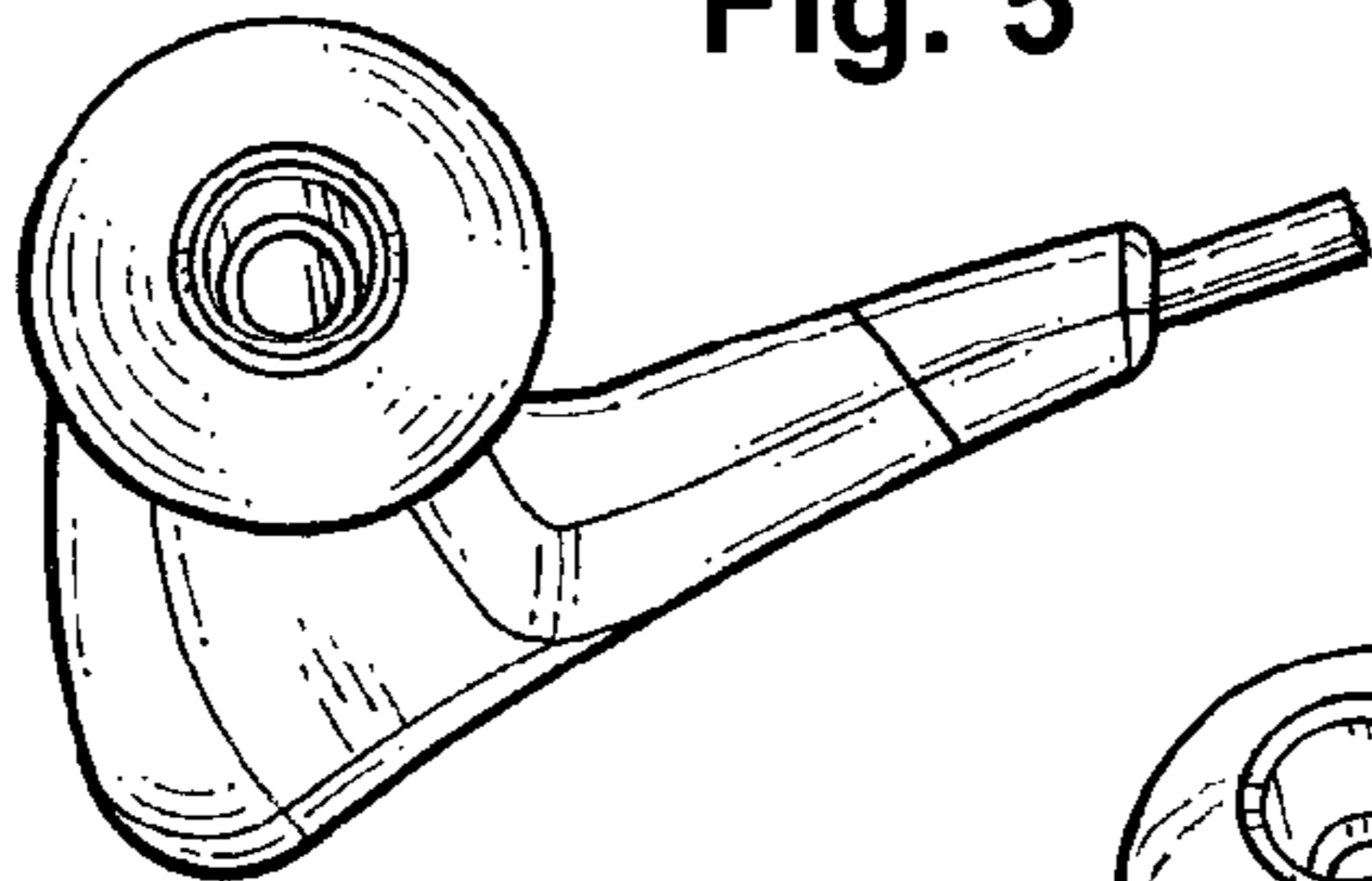


Fig. 6

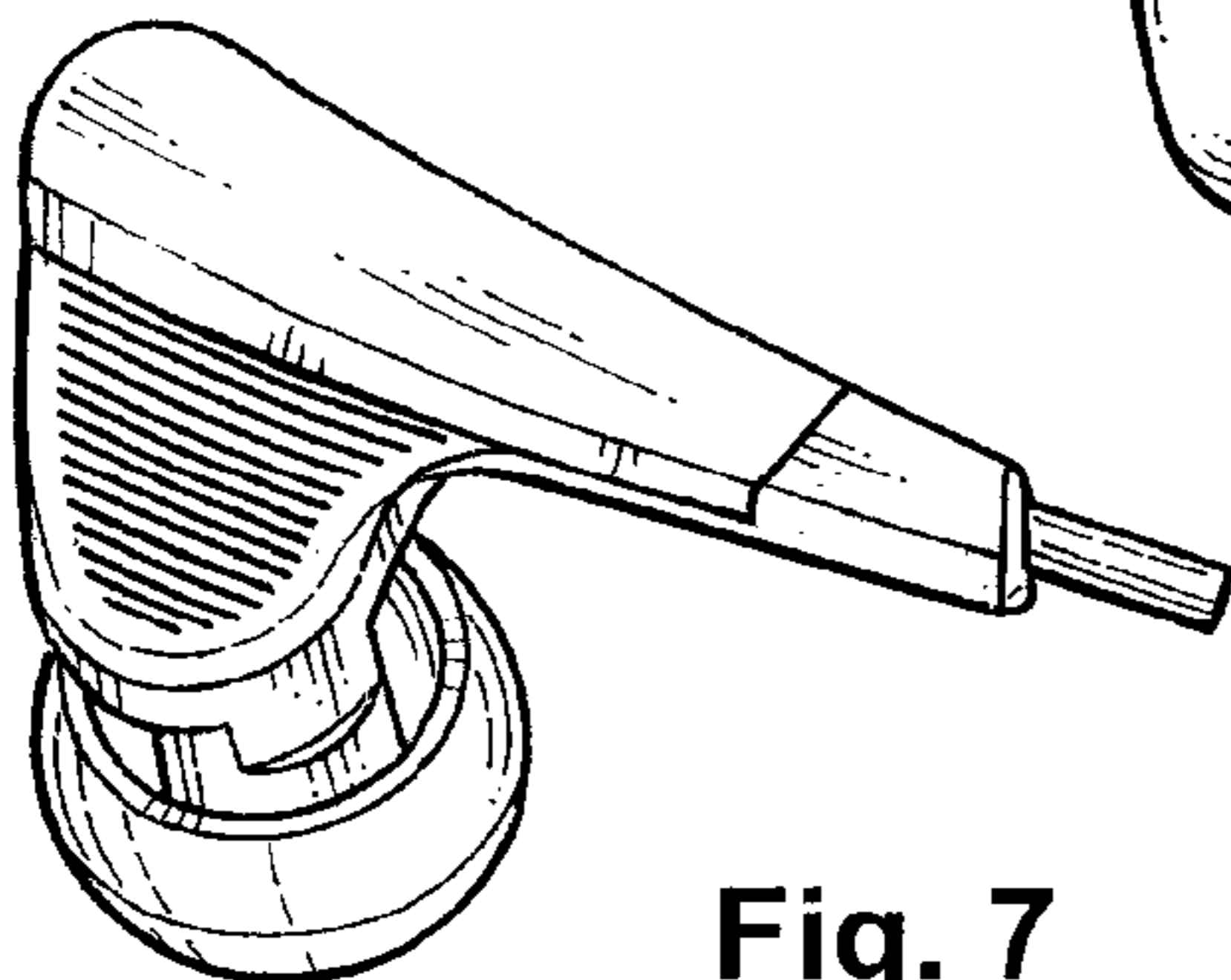


Fig. 7

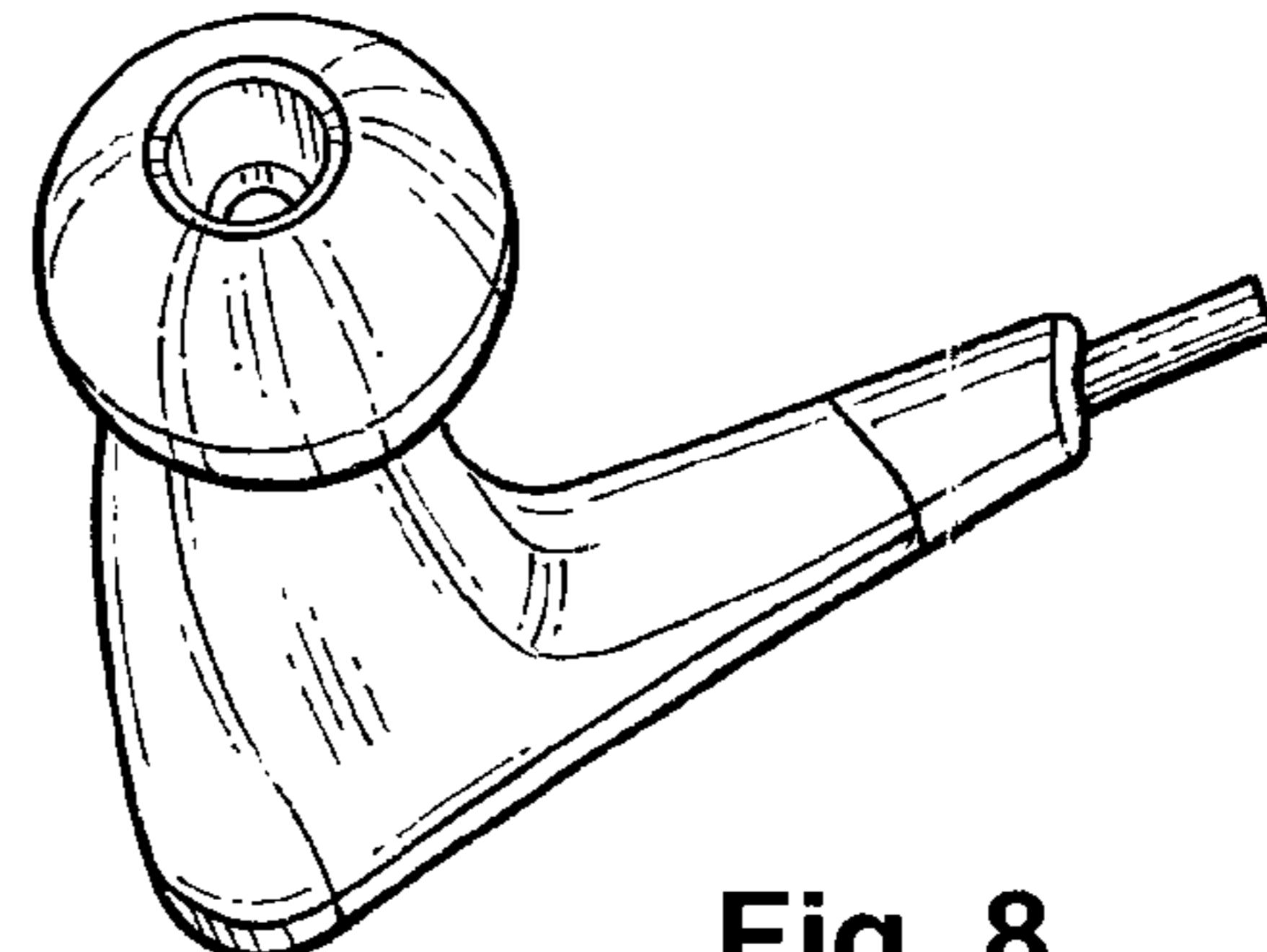


Fig. 8