



US00D612836S

(12) **United States Design Patent**  
**Jha**

(10) **Patent No.:** **US D612,836 S**  
(45) **Date of Patent:** **\*\* Mar. 30, 2010**

(54) **MODULAR ENTERTAINMENT SYSTEM**

6,236,398 B1 5/2001 Kojima et al.  
D467,897 S \* 12/2002 Lin ..... D14/211  
D477,829 S 7/2003 Hussaini et al.

(75) Inventor: **Hemant Jha**, Los Angeles, CA (US)

(Continued)

(73) Assignees: **Sony Corporation**, Tokyo (JP); **Sony Electronics Inc.**, Park Ridge, NJ (US)

FOREIGN PATENT DOCUMENTS

(\*\*) Term: **14 Years**

EP 1631118 3/2006

(Continued)

(21) Appl. No.: **29/339,541**

OTHER PUBLICATIONS

(22) Filed: **Jul. 1, 2009**

www.bang-olufsen.com; Product Features and Specifications: Bang & Olufsen; 26 pps.

(Continued)

**Related U.S. Application Data**

(62) Division of application No. 29/250,432, filed on Nov. 14, 2006, now Pat. No. Des. 597,525.

*Primary Examiner*—Nanda Bondade

(74) *Attorney, Agent, or Firm*—Fitch, Even, Tabin & Flannery

(51) **LOC (9) Cl.** ..... **14-01**

(52) **U.S. Cl.** ..... **D14/214; D14/168**

(58) **Field of Classification Search** ..... D14/496,  
D14/498, 204, 207, 209, 209.1, 210–217,  
D14/167–168, 189, 1; 181/147–148, 150–153,  
181/157, 198–199; 369/75.11, 75.21, 77.11,  
369/77.21; 345/1.2, 2.1; 455/344, 347–351;  
381/300–303, 306, 322–333, 336, 345, 361–364,  
381/386–388; D11/131, 139, 141, 155, 164  
See application file for complete search history.

(57) **CLAIM**

The ornamental design for a modular entertainment system, substantially as shown and described.

**DESCRIPTION**

FIG. 1 is a front perspective view of a modular entertainment system showing my design;

FIG. 2 is a front elevational view of FIG. 1;

FIG. 3 is a rear elevational view of FIG. 1;

FIG. 4 is a top plan view of FIG. 1;

FIG. 5 is a bottom plan view of FIG. 1; and,

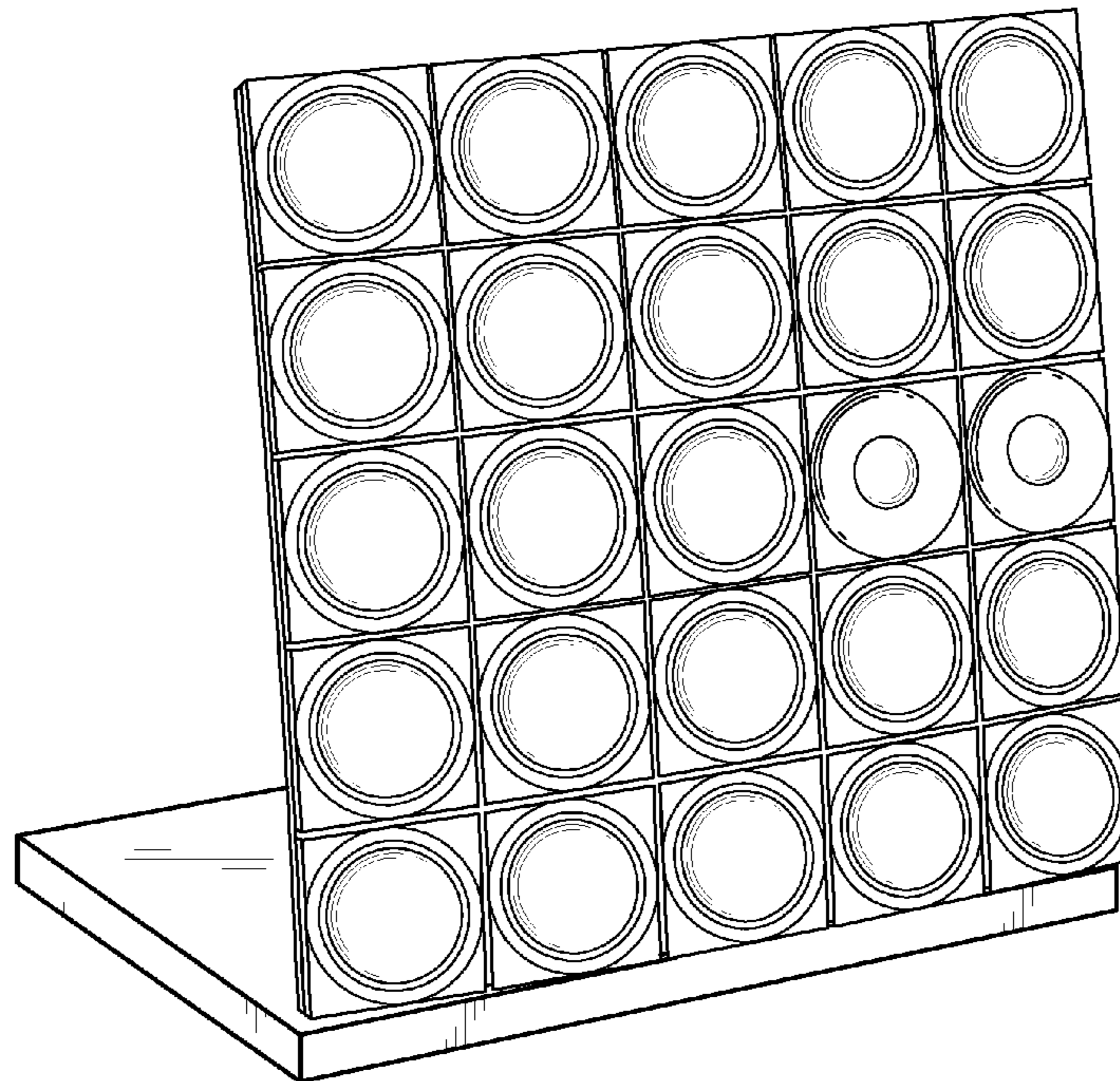
FIG. 6 is a left side elevational view of FIG. 1, the right side elevational view being a mirror image thereof.

(56) **References Cited**

U.S. PATENT DOCUMENTS

D359,492 S 6/1995 Dyas  
D360,637 S 7/1995 Arie  
D367,476 S \* 2/1996 Martin ..... D14/214  
5,898,650 A 4/1999 Porsbo et al.  
D432,518 S \* 10/2000 Muto ..... D14/172  
6,154,201 A 11/2000 Levin et al.

**1 Claim, 3 Drawing Sheets**



# US D612,836 S

Page 2

## U.S. PATENT DOCUMENTS

D477,830 S 7/2003 Hussaini et al.  
6,710,754 B2 3/2004 Hanson et al.  
D516,082 S 2/2006 Lewis  
7,095,867 B2 8/2006 Schul et al.  
D550,650 S \* 9/2007 Patel et al. .... D14/214  
D561,175 S \* 2/2008 Zhang ..... D14/214  
D565,547 S \* 4/2008 Griffin et al. .... D14/214  
D597,525 S 8/2009 Jha  
2001/0026504 A1 10/2001 Nonaka et al.  
2003/0132911 A1 7/2003 Narioka et al.  
2004/0100440 A1 5/2004 Levin et al.  
2004/0207607 A1 10/2004 Specks et al.  
2005/0081164 A1 4/2005 Hama et al.  
2005/0168435 A1 8/2005 Reed et al.  
2006/0184871 A1 8/2006 Waters  
2007/0216665 A1 9/2007 Jha et al.  
2007/0229215 A1 10/2007 Jha

## FOREIGN PATENT DOCUMENTS

JP 2002367491 12/2002

JP 2005292767 6/2005

## OTHER PUBLICATIONS

www.bang-olufsen.com; BeoCenter2; 2 pps .  
Non Final Office Action from 11559639 mailed Mar. 17, 2009.  
Notice of Allowance from 29250432 mailed Apr. 30, 2009.  
“iDrive system in the new 7er”, www.7-forum.com; 734.com; 11 pps.  
“iPod User’s Guide”, <http://www.apple.com/support/manuals/ipod>;  
2004 Apple Computer, Inc.; 64 pps.  
“Robert Bosch GmbH”, Blaupunkt; <http://www.bosch-presse.de>;  
Aug. 2004; 3 pps.  
“Smart Architectural Surfaces; Object-Based Media Group”, MIT  
Media Laboratory; Fall/Winter 2005-2006; 2 pps.; <http://web.media.mit.edu>.  
“User’s Manual for the Automated Denture Furnace for Metal  
Ceramics”, <http://www.tokmet.com/software/D500M%20Manual.pdf>;  
Dentamatic 550/Chameleon-M; 7 pps.  
Hemant, Jha , U.S. Appl. No. 29/250,432, filed Nov. 14, 2006.  
Rivituso, Monica , “Sirius Unveils its Latest Products”, SmartMoney.  
com; Aug. 26, 2005; 2 pps/.  
“BeoCenter 2 User Guide;”, Band & Olufsen website; <http://www.bang-olufsen.com/beocenter2>;  
downloaded Aug. 13, 2009; 44 pages.  
Jha, Hemant, U.S. Appl. No. 11/559,639, filed Nov. 14, 2006.  
Final Office Action from U.S. Appl. No. 11/559,639 mailed Oct. 14,  
2009.

\* cited by examiner

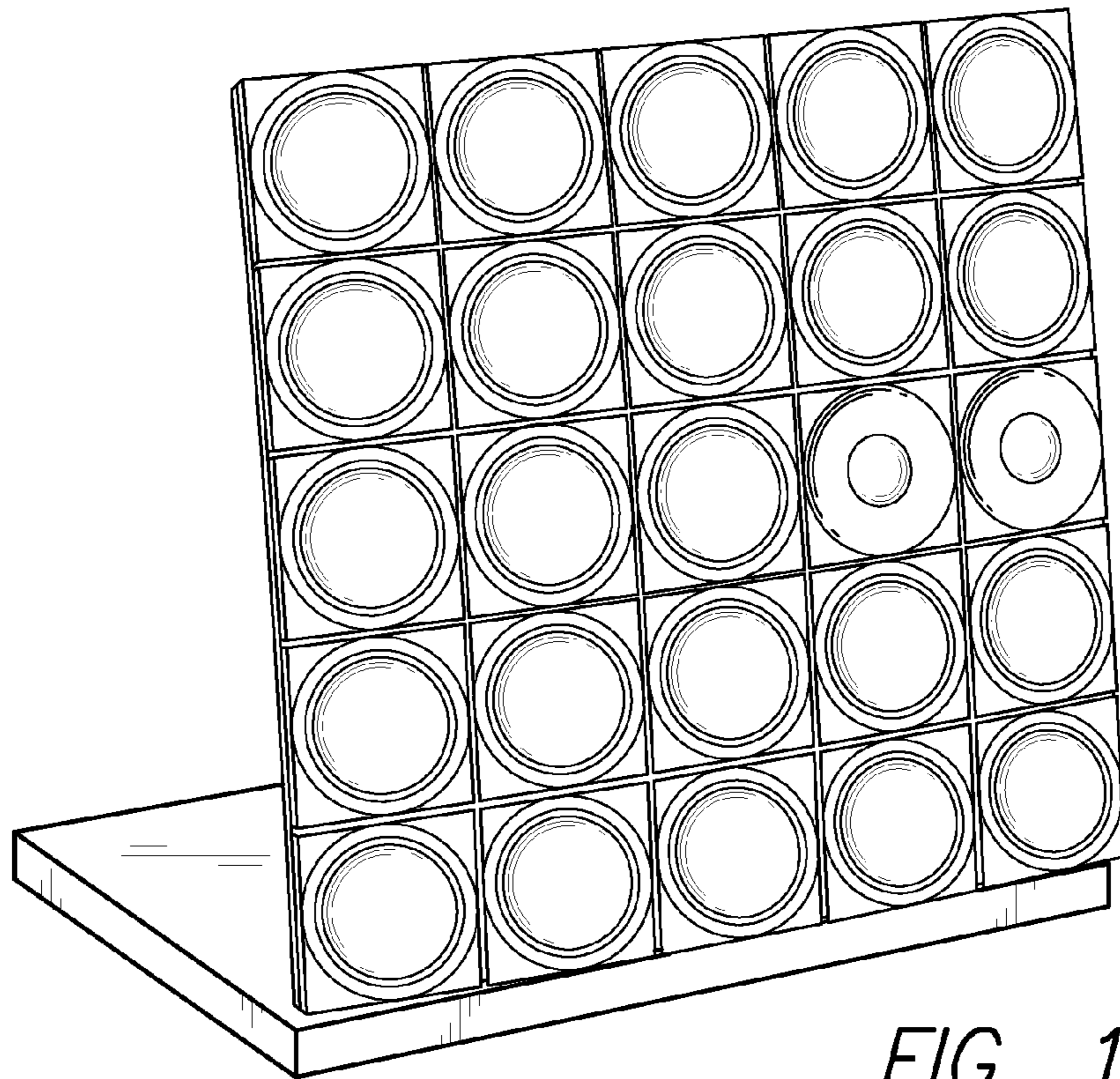


FIG. 1

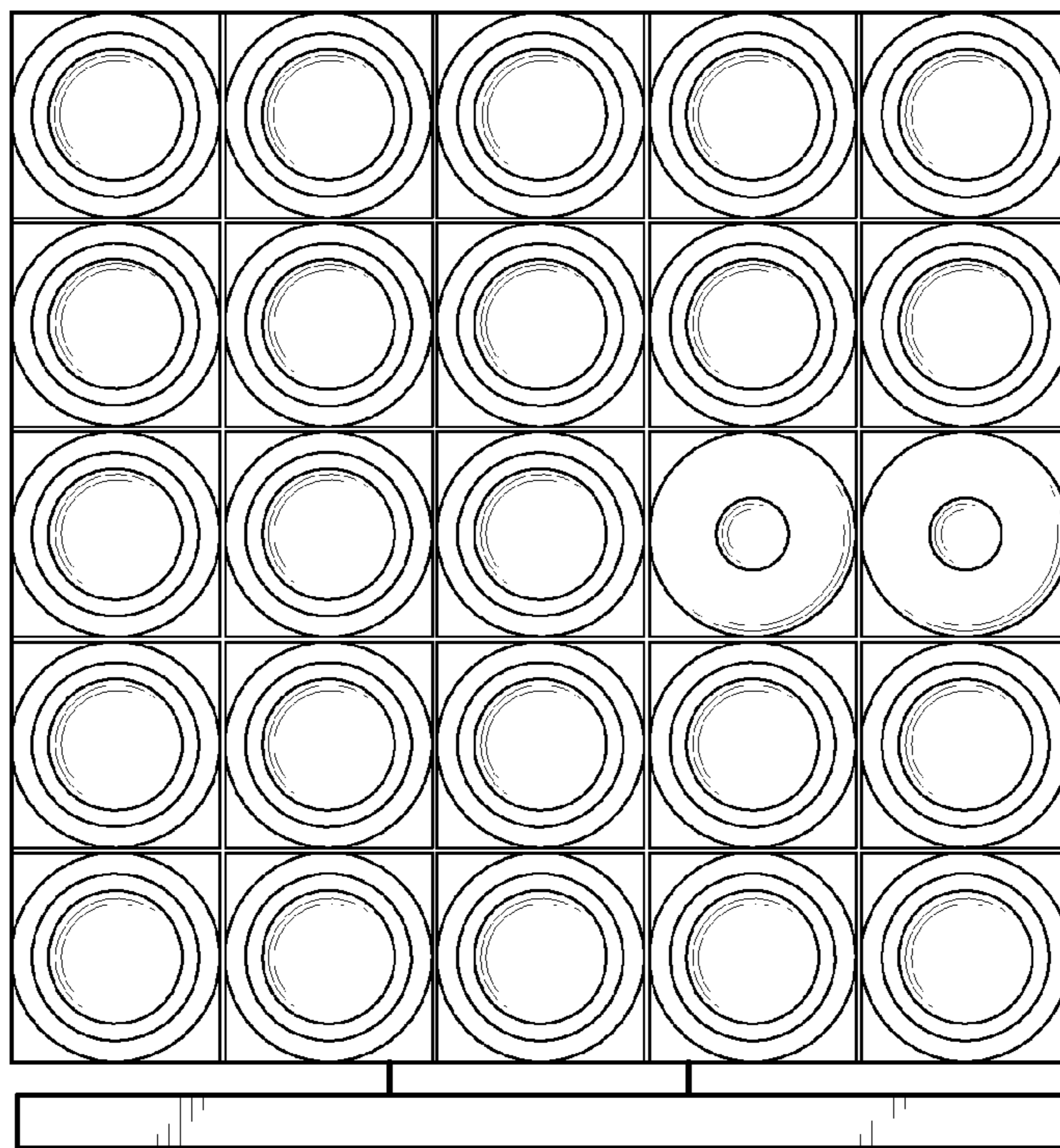


FIG. 2

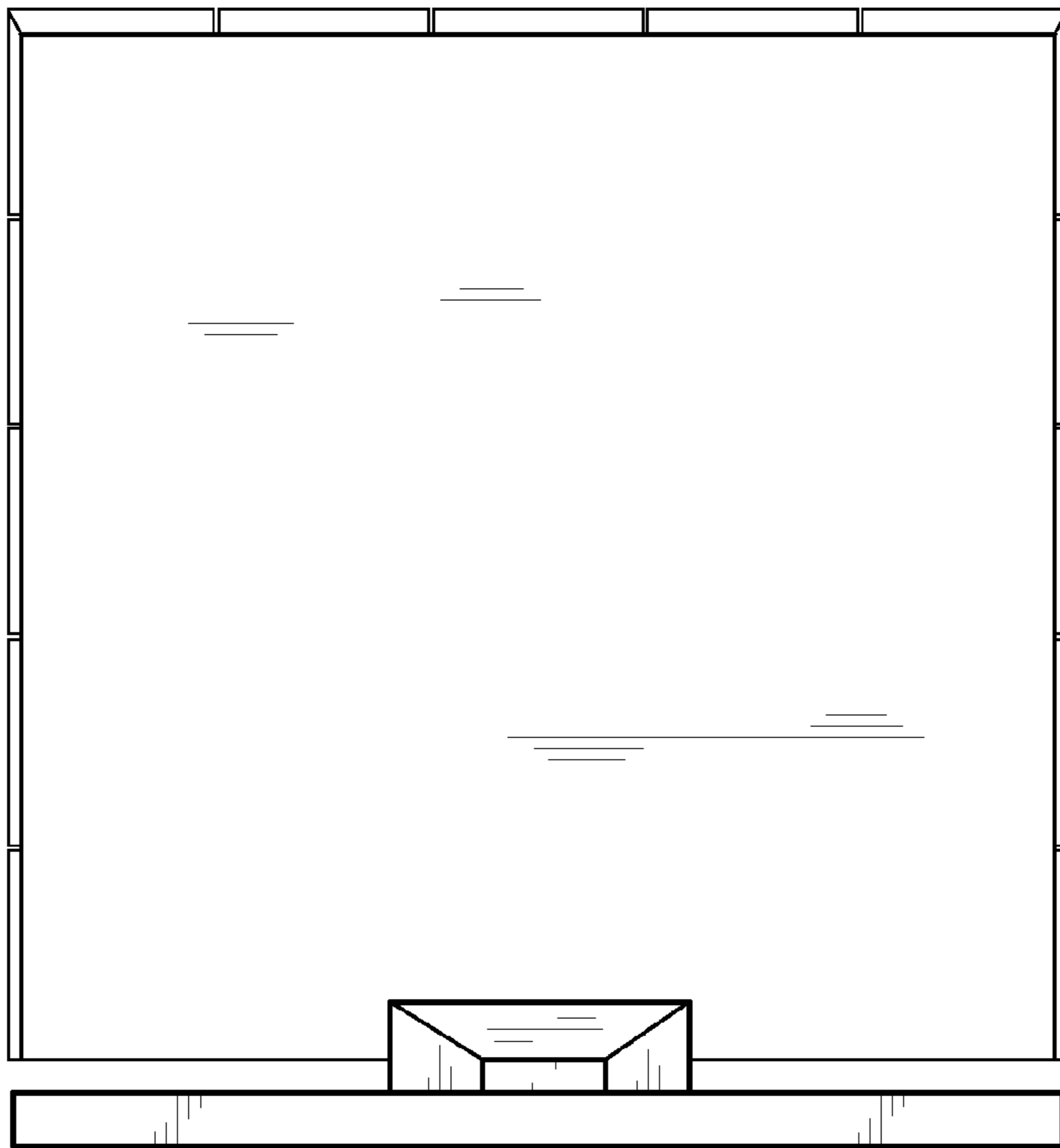


FIG. 3

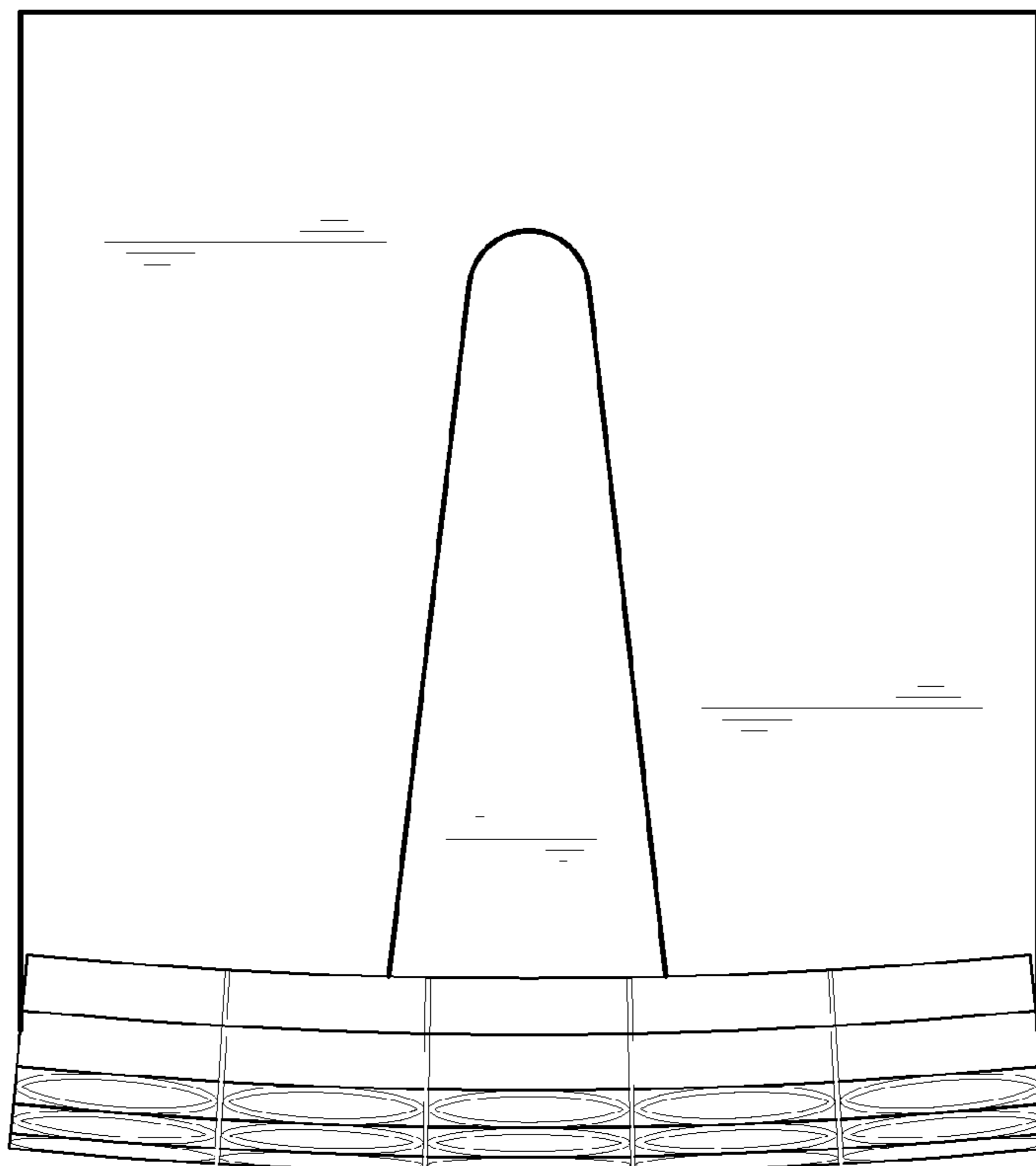


FIG. 4

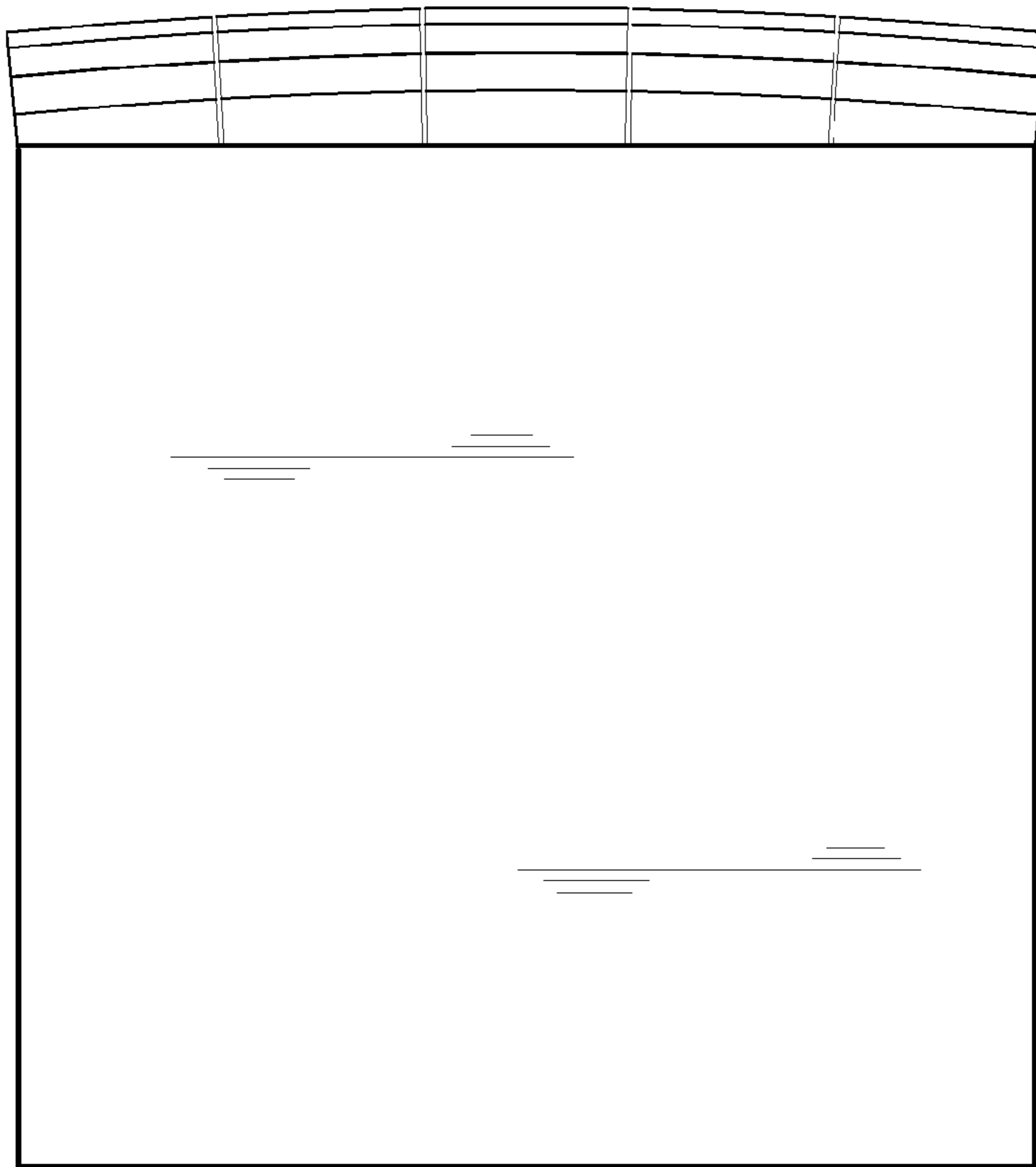


FIG. 5

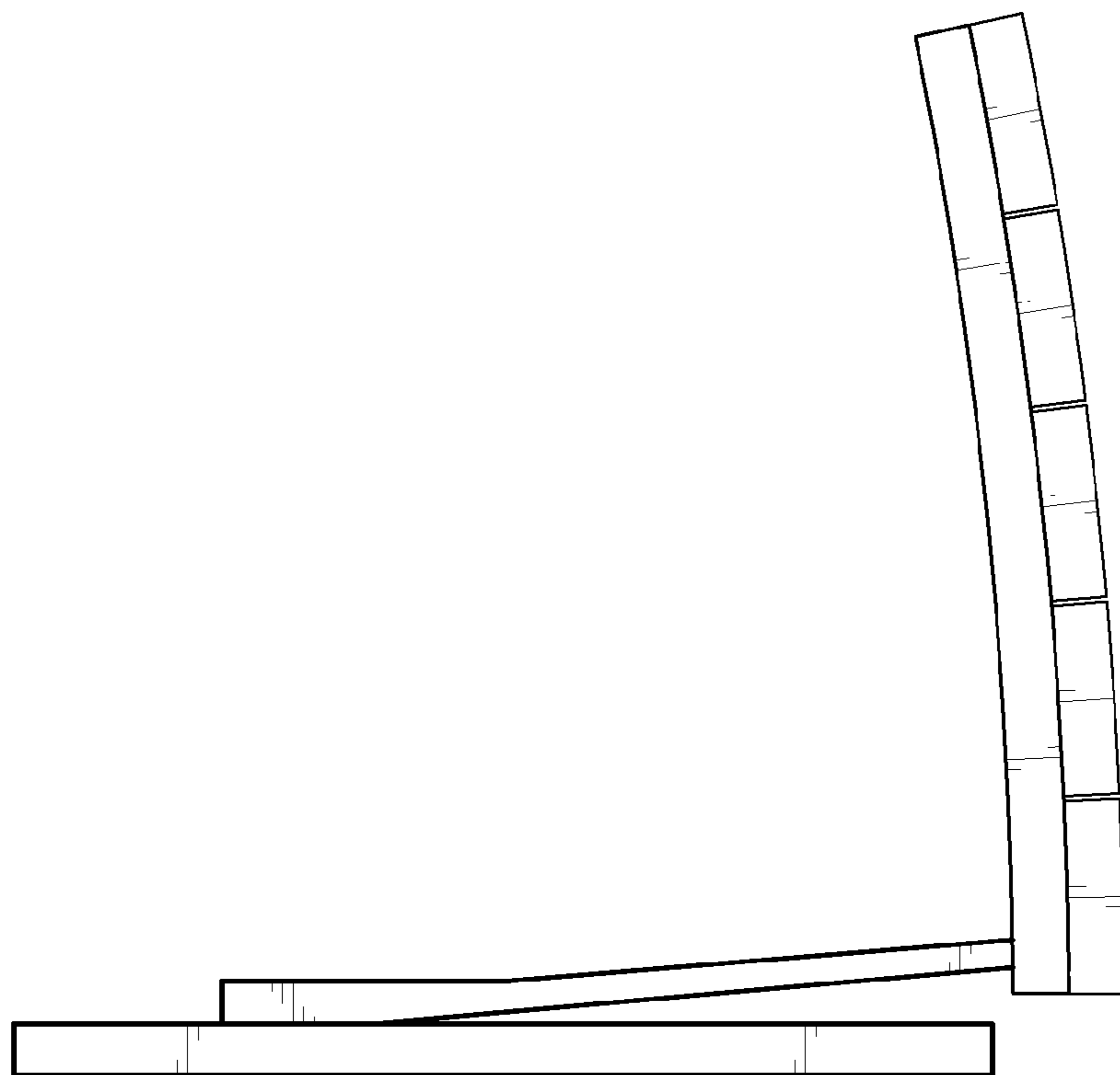


FIG. 6