



US00D612835S

(12) **United States Design Patent**
Yang et al.

(10) **Patent No.:** **US D612,835 S**
(45) **Date of Patent:** **** Mar. 30, 2010**

(54) **MICROPHONE BOOM FOR A COMMUNICATIONS HEADSET**

(75) Inventors: **Joseph Yang**, San Jose, CA (US); **Stann Sheperd**, San Jose, CA (US); **John Ledingham**, Scotts Valley, CA (US)

(73) Assignee: **Plantronics, Inc.**, Santa Cruz, CA (US)

(**) Term: **14 Years**

(21) Appl. No.: **29/329,596**

(22) Filed: **Dec. 18, 2008**

(51) **LOC (9) Cl.** **14-01**

(52) **U.S. Cl.** **D14/206**

(58) **Field of Classification Search** D14/205, D14/206, 223, 225, 228, 249, 142, 192, 188; 379/430, 433; 181/129, 130; 381/380, 381, 381/370, 375, 92; 455/569.1, 575.2, 90.2
See application file for complete search history.

(56) **References Cited**

U.S. PATENT DOCUMENTS

3,633,705	A *	1/1972	Teder	181/158
4,617,431	A *	10/1986	Scott et al.	381/344
4,917,504	A *	4/1990	Scott et al.	381/381
D384,958	S *	10/1997	Shudo	D14/206
6,097,827	A *	8/2000	Yang	381/375
D439,890	S	4/2001	Skulley et al.		
D443,603	S *	6/2001	Taylor et al.	D14/206
D447,472	S *	9/2001	McGugan	D14/225
D449,290	S *	10/2001	Taylor et al.	D14/206
D452,857	S *	1/2002	Hong	D14/223
D455,417	S *	4/2002	Bey et al.	D14/223
D458,247	S *	6/2002	Davies et al.	D14/206
D463,784	S *	10/2002	Taylor et al.	D14/206
D464,943	S *	10/2002	Lai	D14/206
D464,951	S *	10/2002	Skulley et al.	D14/223
D469,081	S *	1/2003	Perszyk et al.	D14/205
D470,478	S *	2/2003	Kohli et al.	D14/223
D474,171	S *	5/2003	Suzuki	D14/206
D474,178	S	5/2003	Eroma		
6,560,346	B2 *	5/2003	Ohta et al.	381/382

D476,645	S *	7/2003	Padala et al.	D14/223
D477,821	S *	7/2003	Bieltvedt et al.	D14/206
D480,072	S *	9/2003	Ham	D14/223
D490,398	S *	5/2004	Gwee	D14/205
D490,399	S *	5/2004	Kamo et al.	D14/206
6,768,804	B1 *	7/2004	Isvan	381/376
6,771,790	B2 *	8/2004	Liu	381/385
D504,419	S *	4/2005	Bey et al.	D14/223
D504,673	S *	5/2005	Dyer et al.	D14/205
D504,887	S	5/2005	Skulley		
D505,413	S	5/2005	Skulley et al.		
D506,462	S *	6/2005	Han et al.	D14/205
D515,074	S *	2/2006	Jacobson et al.	D14/225

(Continued)

OTHER PUBLICATIONS

Sennheiser Communications. VMX 100 Headset Instruction Manual. May 2005. pp. 1, 6-17, 148. China.

Primary Examiner—Paula Greene

(74) *Attorney, Agent, or Firm*—Michael D. Rodriguez

(57) **CLAIM**

The ornamental design for a microphone boom for a communications headset, as shown and described.

DESCRIPTION

FIG. 1 is front-top-right perspective view of a microphone boom for a communications headset showing our new design, the microphone boom is broken away to show indeterminate length;

FIG. 2 is a front view thereof;

FIG. 3 is a back view thereof;

FIG. 4 is a left side view thereof;

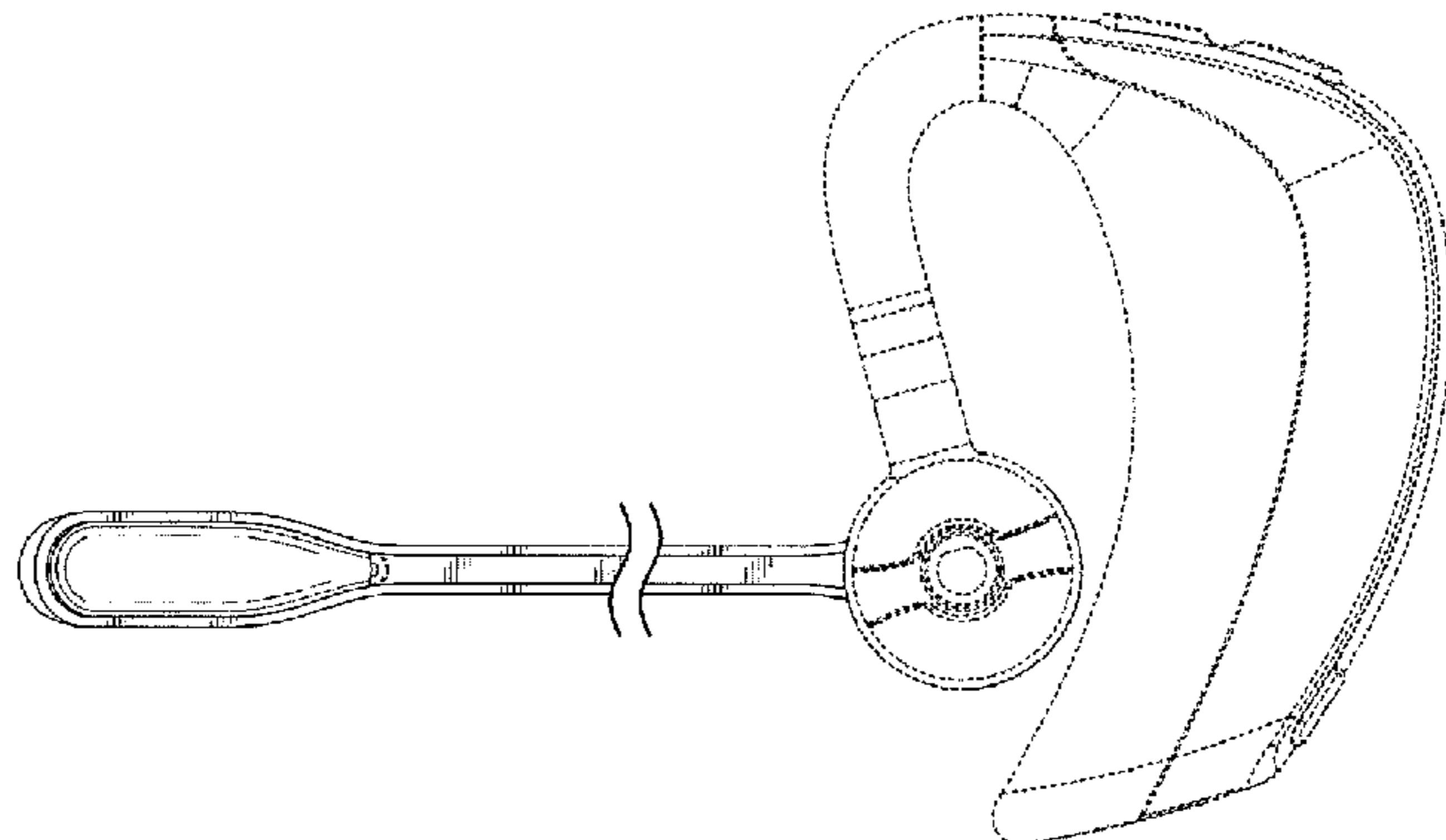
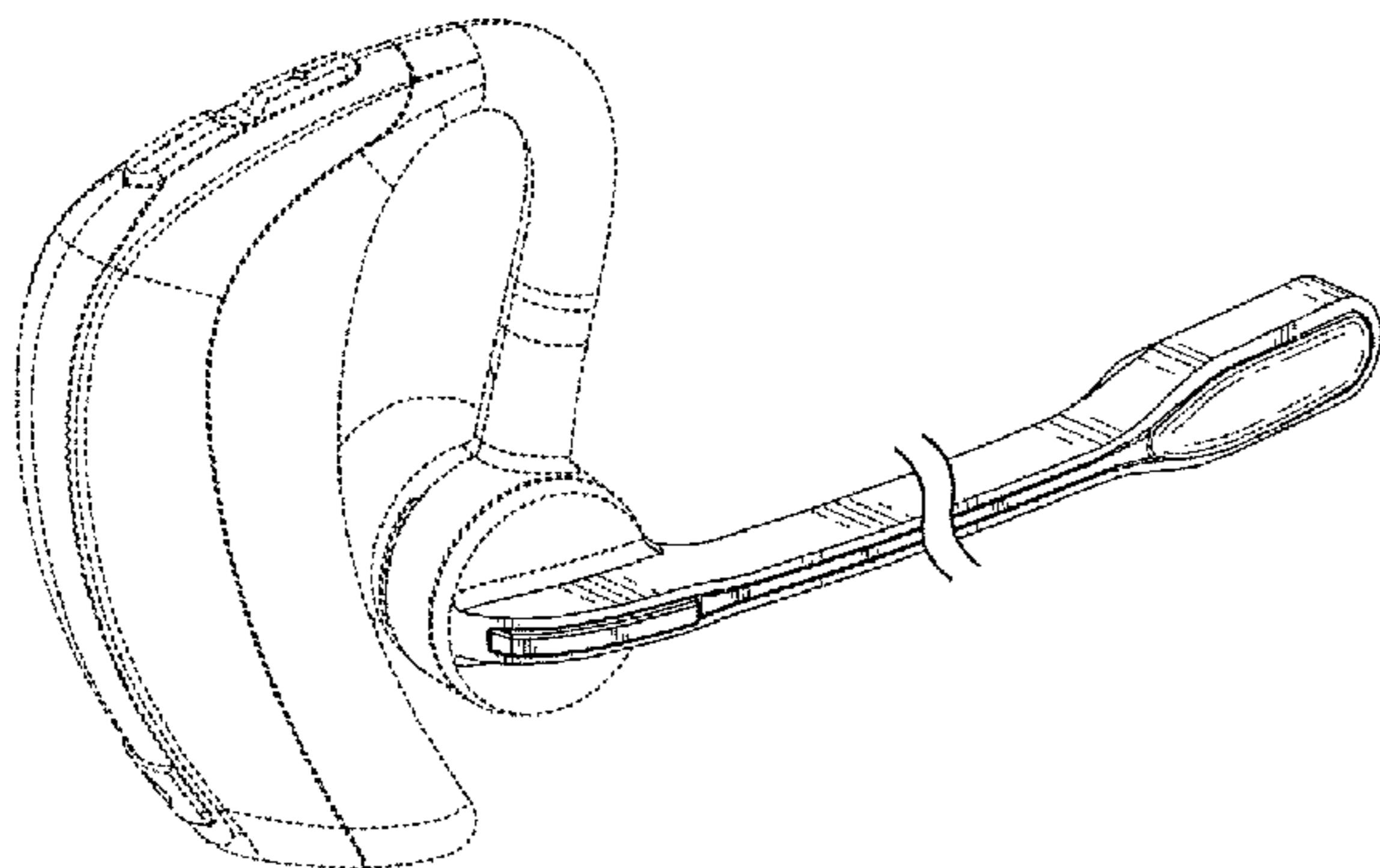
FIG. 5 is a right side view thereof;

FIG. 6 is a top view thereof; and,

FIG. 7 is a bottom view thereof.

The broken lines showing of the unclaimed environment forms no part of the claimed design.

1 Claim, 3 Drawing Sheets



US D612,835 S

Page 2

U.S. PATENT DOCUMENTS

D519,498 S *	4/2006	Ham	D14/225	D535,980 S *	1/2007	Bentley et al.	D14/225
7,089,042 B2 *	8/2006	Bodley	455/569.1	D537,815 S *	3/2007	Bentley et al.	D14/225
7,106,873 B1 *	9/2006	Harrison et al.	381/330	D581,900 S *	12/2008	Caddes et al.	D14/206
					D584,719 S *	1/2009	Brennwald	D14/223

* cited by examiner

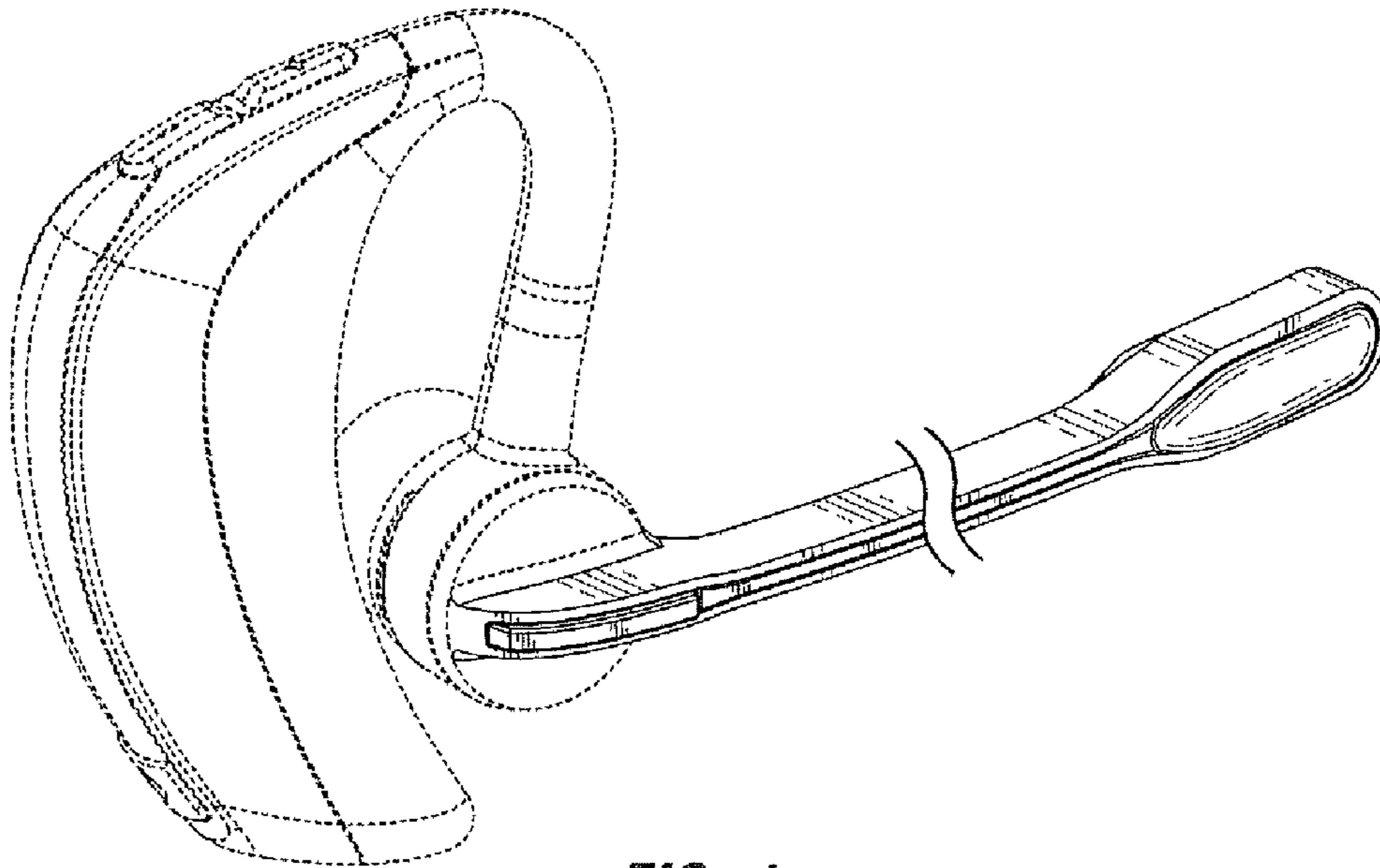


FIG. 1

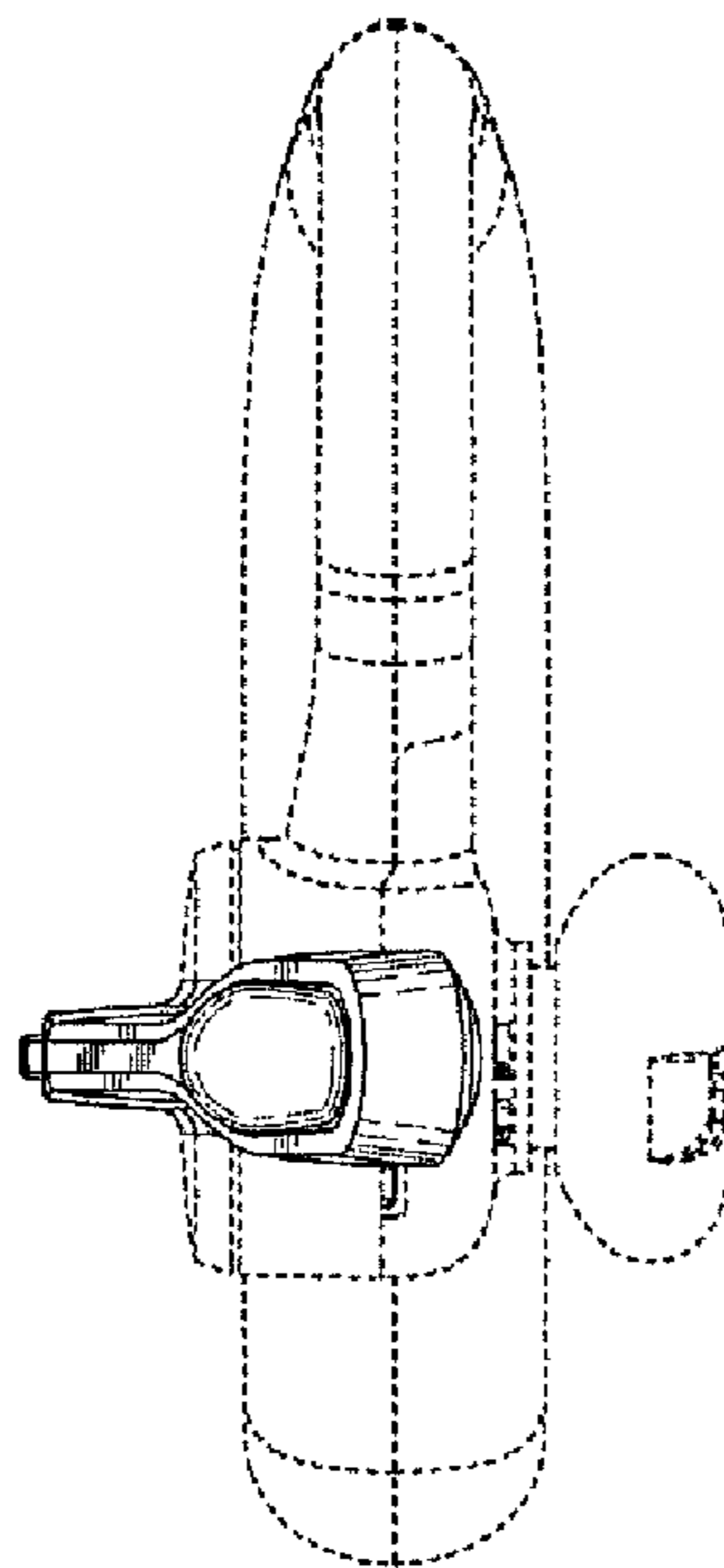


FIG. 2

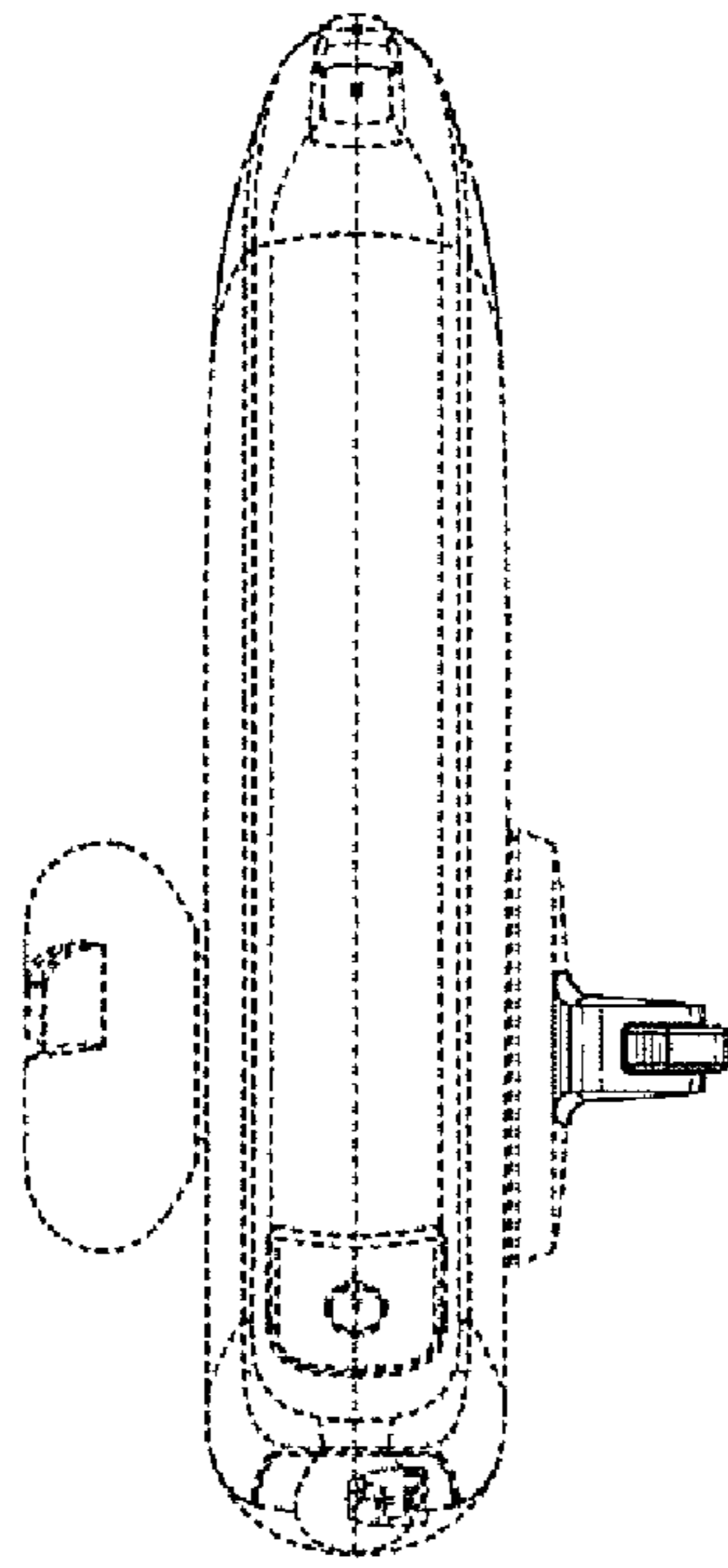


FIG. 3

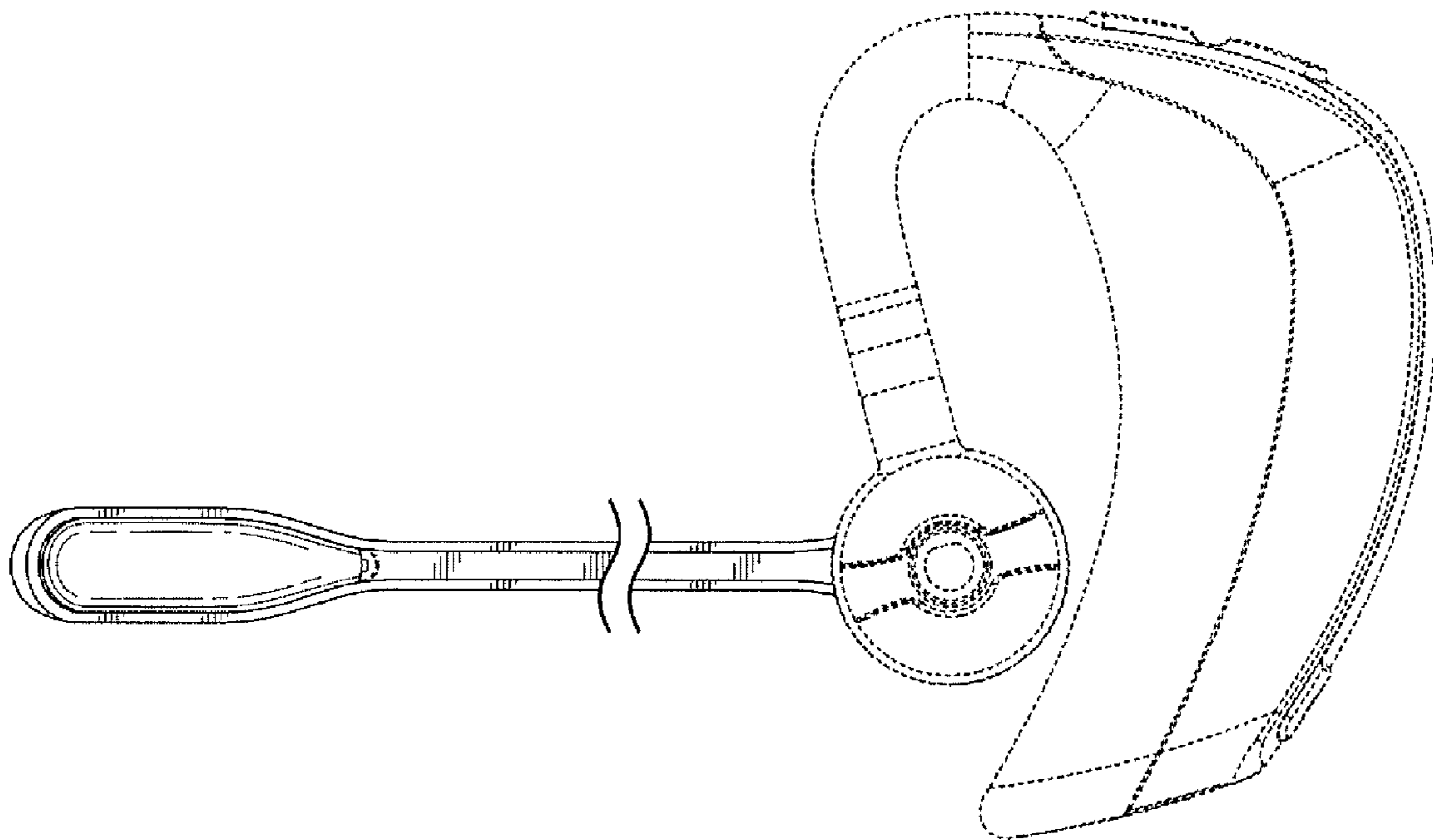


FIG. 4

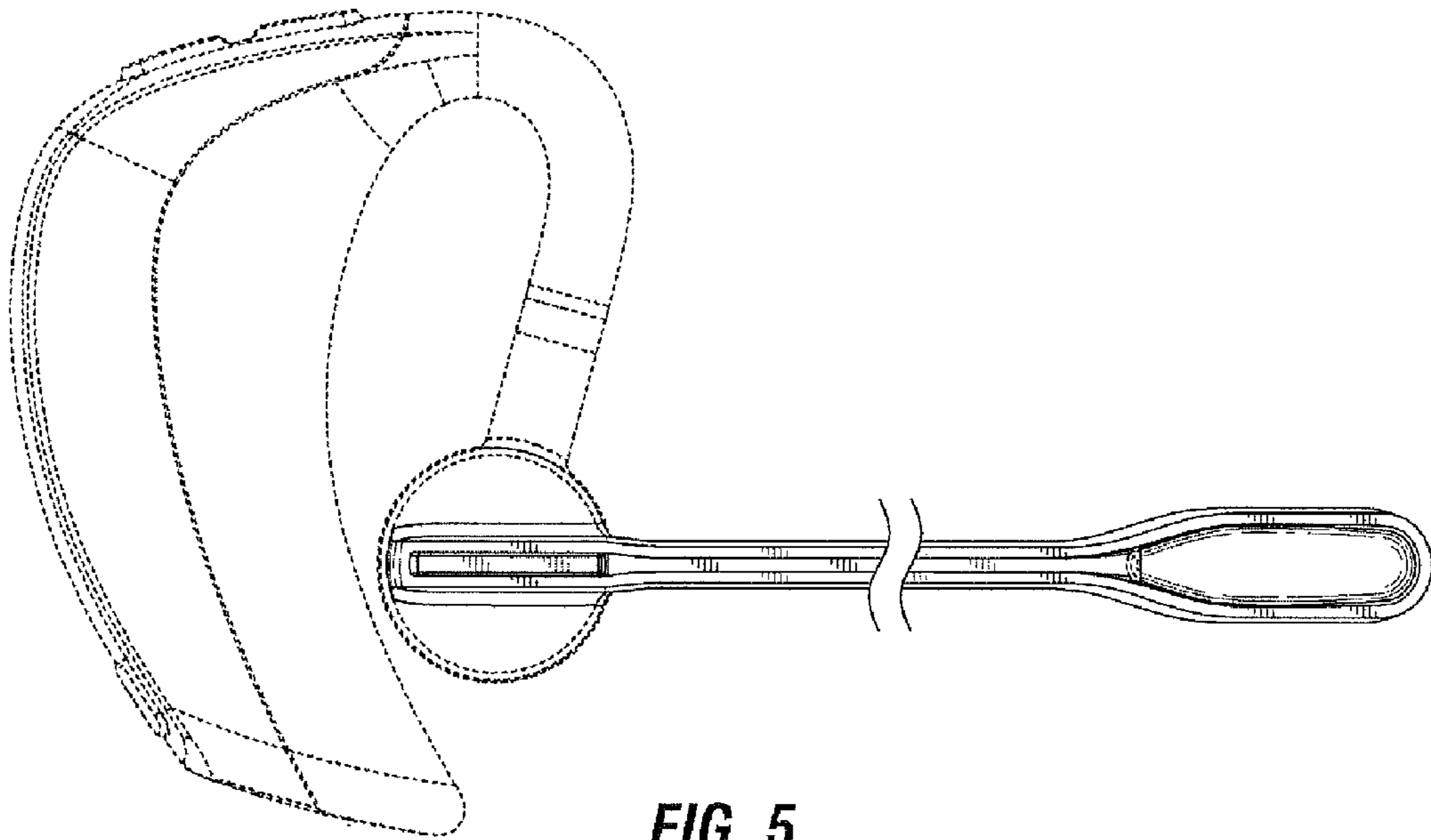


FIG. 5

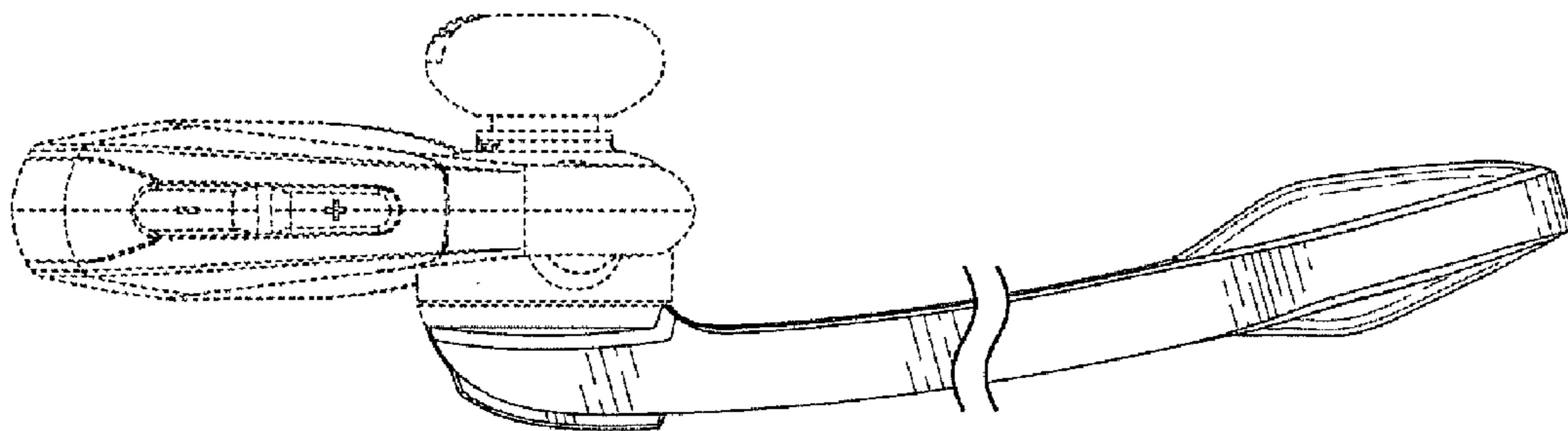


FIG. 6

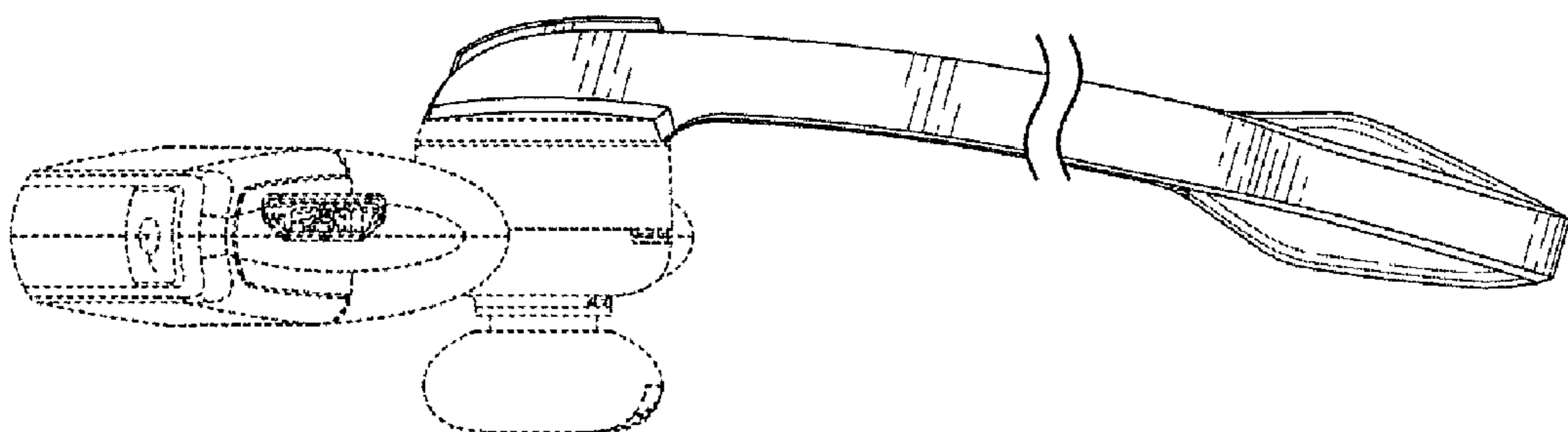


FIG. 7