



US00D612833S

(12) **United States Design Patent**
Chiu

(10) **Patent No.:** **US D612,833 S**

(45) **Date of Patent:** **** Mar. 30, 2010**

(54) **SPEAKER**

(75) Inventor: **Yi-Chung Chiu**, Taoyuan County (TW)

(73) Assignee: **Hannspree, Inc.**, Taipei (TW)

(**) Term: **14 Years**

(21) Appl. No.: **29/338,952**

(22) Filed: **Jun. 22, 2009**

(51) **LOC (9) Cl.** **14-01**

(52) **U.S. Cl.** **D14/172**

(58) **Field of Classification Search** D14/204,
D14/207, 210–216, 172; 181/143–144, 147–148,
181/150–153, 157, 198–199; 381/300–303,
381/306, 332–333, 336, 345, 361–364, 386–388
See application file for complete search history.

(56) **References Cited**

U.S. PATENT DOCUMENTS

D200,929 S * 4/1965 Janssen D17/2
D222,112 S * 9/1971 Antonell D17/2

D348,672 S * 7/1994 Falkner et al. D14/215
D360,209 S * 7/1995 Sheu D14/215
D550,650 S * 9/2007 Patel et al. D14/214

* cited by examiner

Primary Examiner—Nanda Bondade

(74) *Attorney, Agent, or Firm*—Guice Patents PLLC

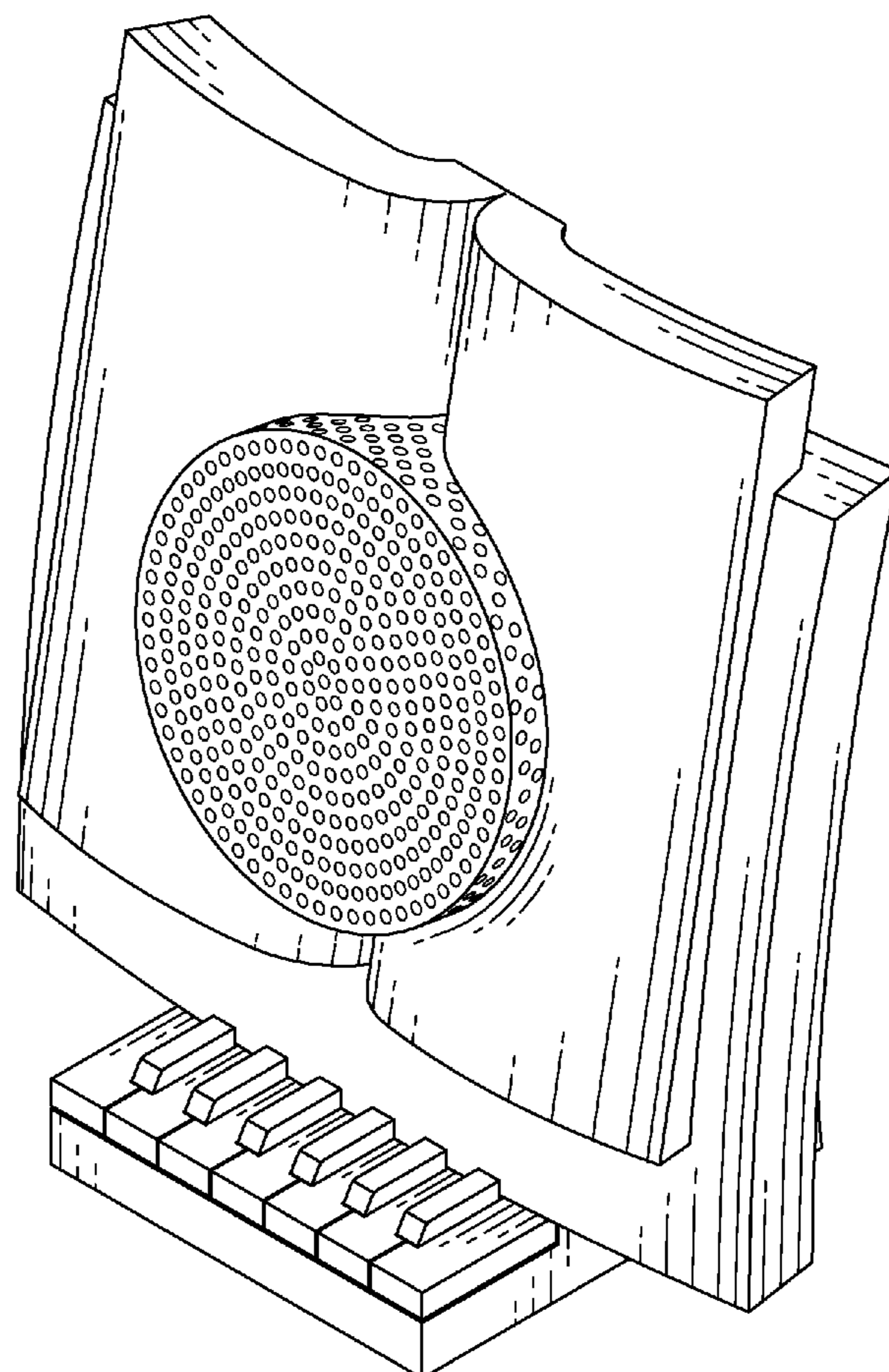
(57) **CLAIM**

The ornamental design for speaker, as shown and described.

DESCRIPTION

FIG. 1 is a perspective view of speaker showing the design;
FIG. 2 is a front elevational view thereof;
FIG. 3 is a rear elevational view thereof;
FIG. 4 is a right side elevational view thereof;
FIG. 5 is a left side elevational view thereof;
FIG. 6 is a top plan view thereof; and,
FIG. 7 is a bottom plan view thereof.

1 Claim, 6 Drawing Sheets



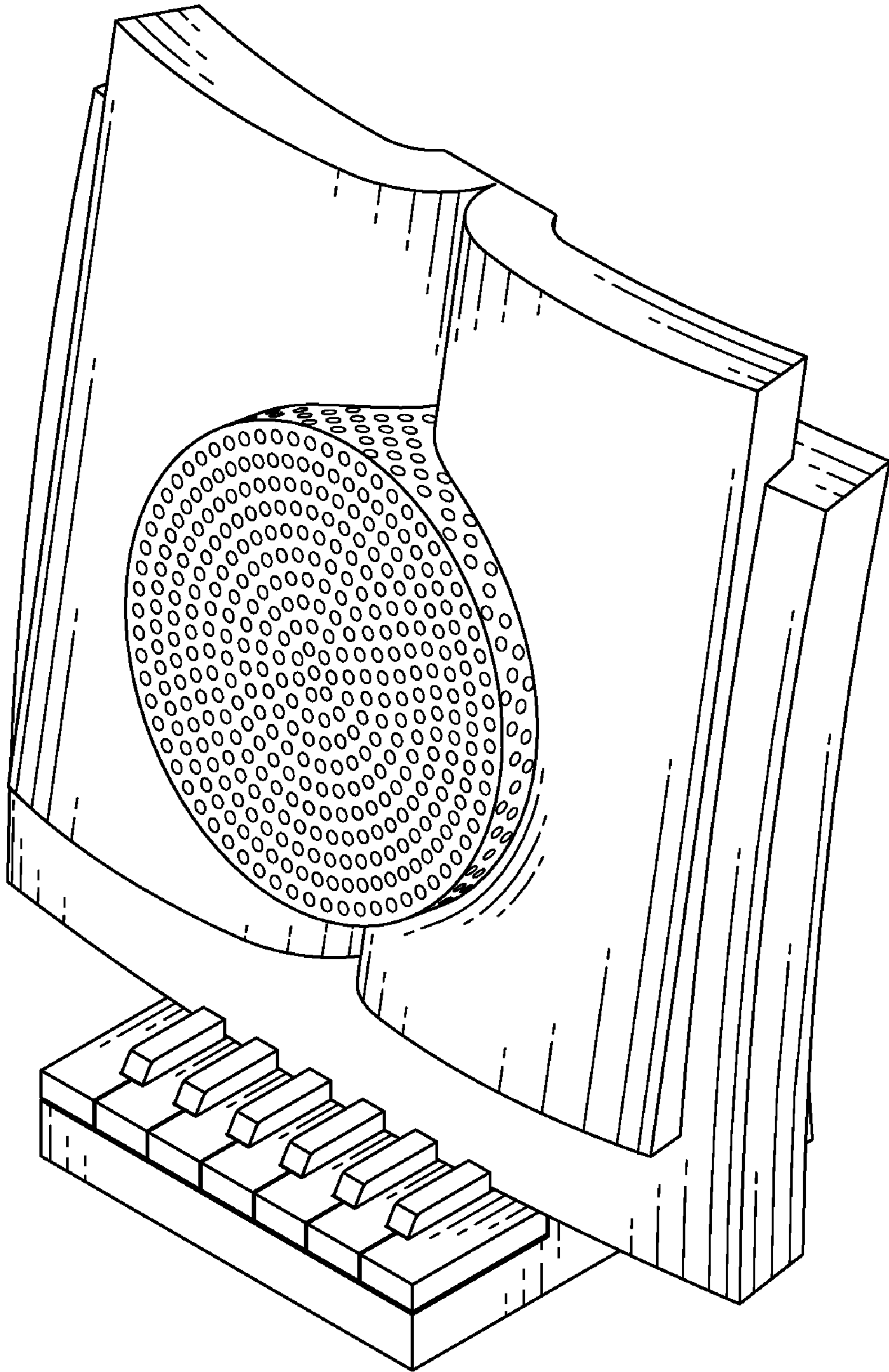


FIG. 1

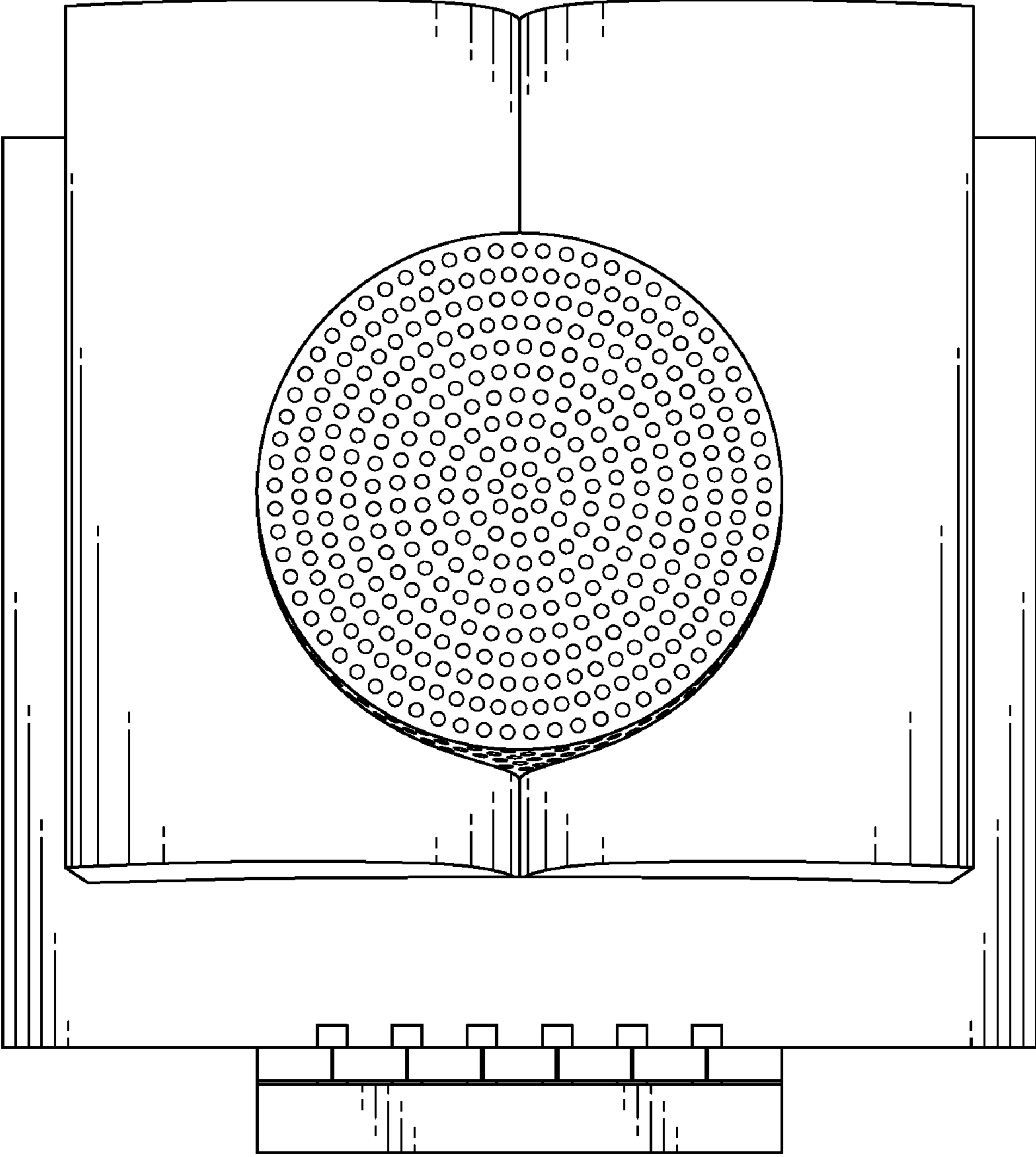


FIG. 2

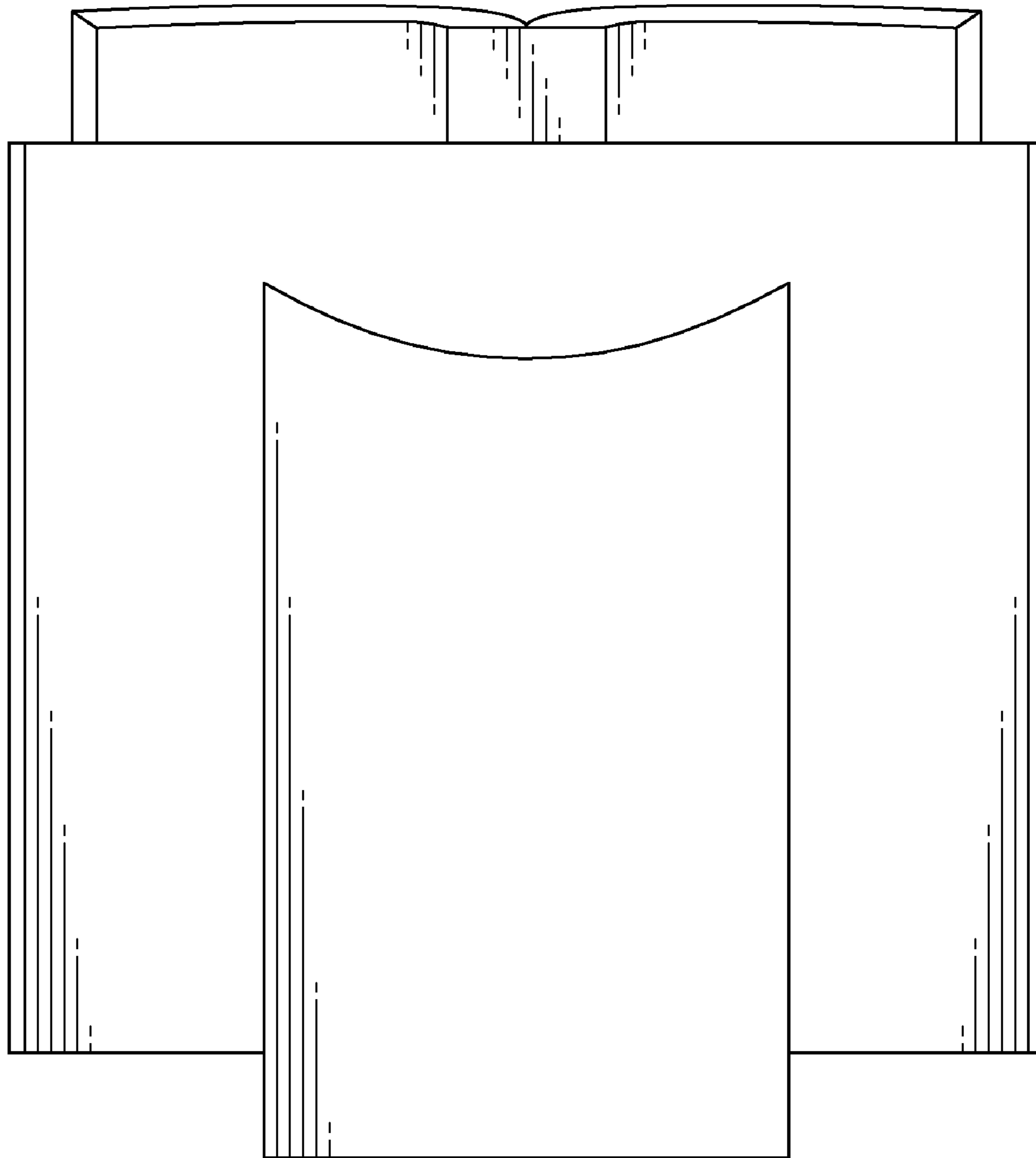


FIG. 3

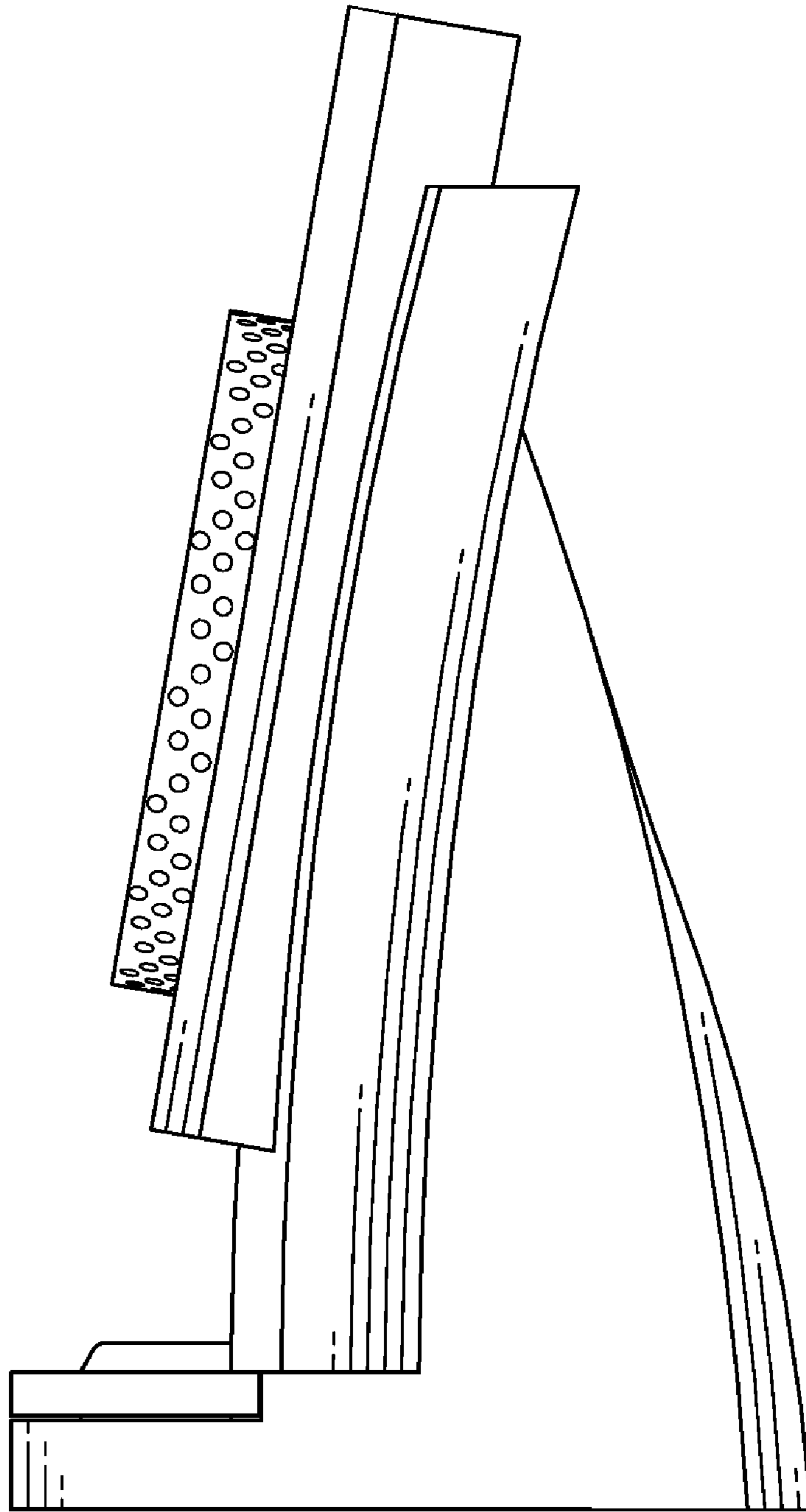


FIG. 4

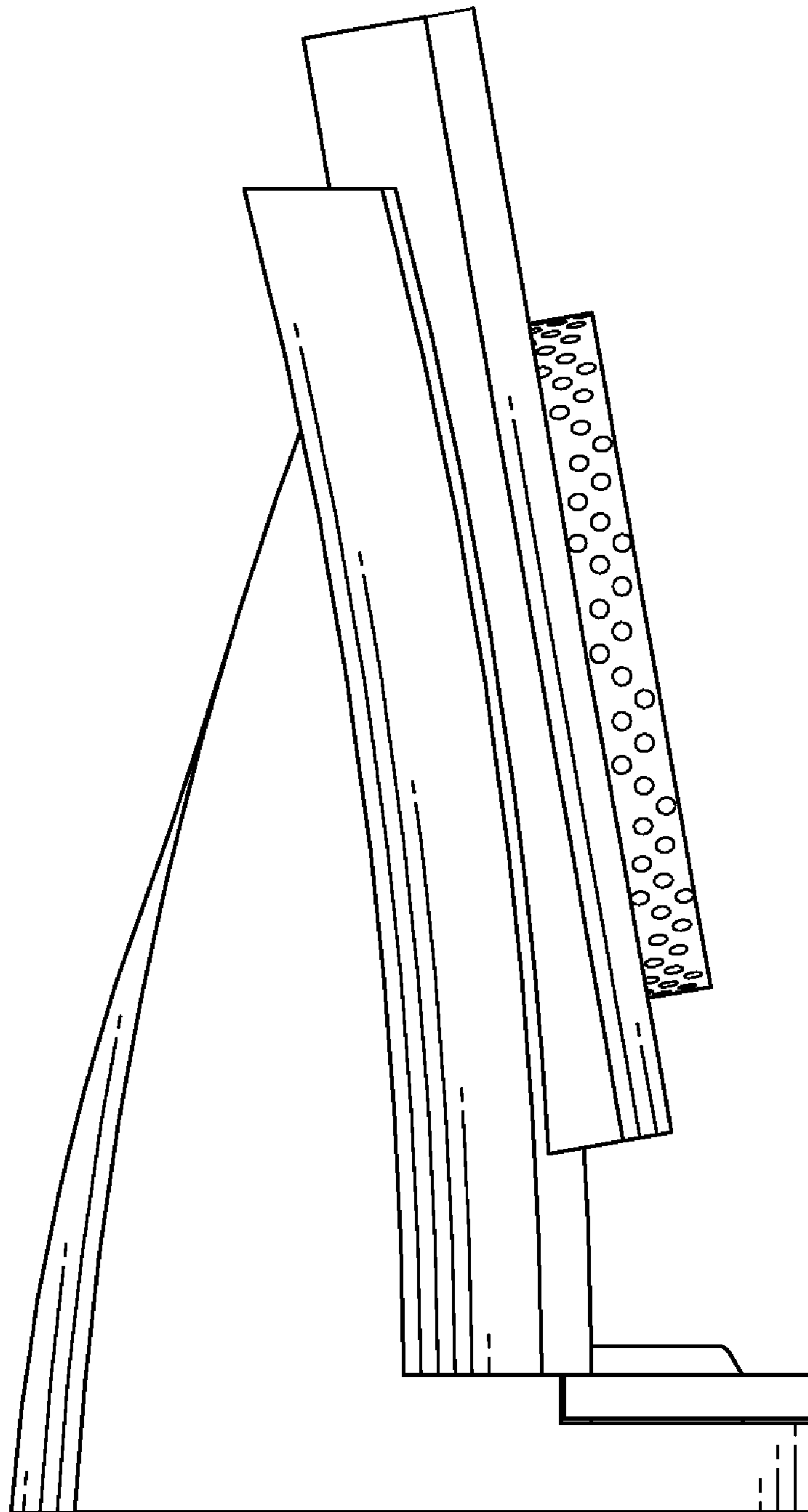


FIG. 5

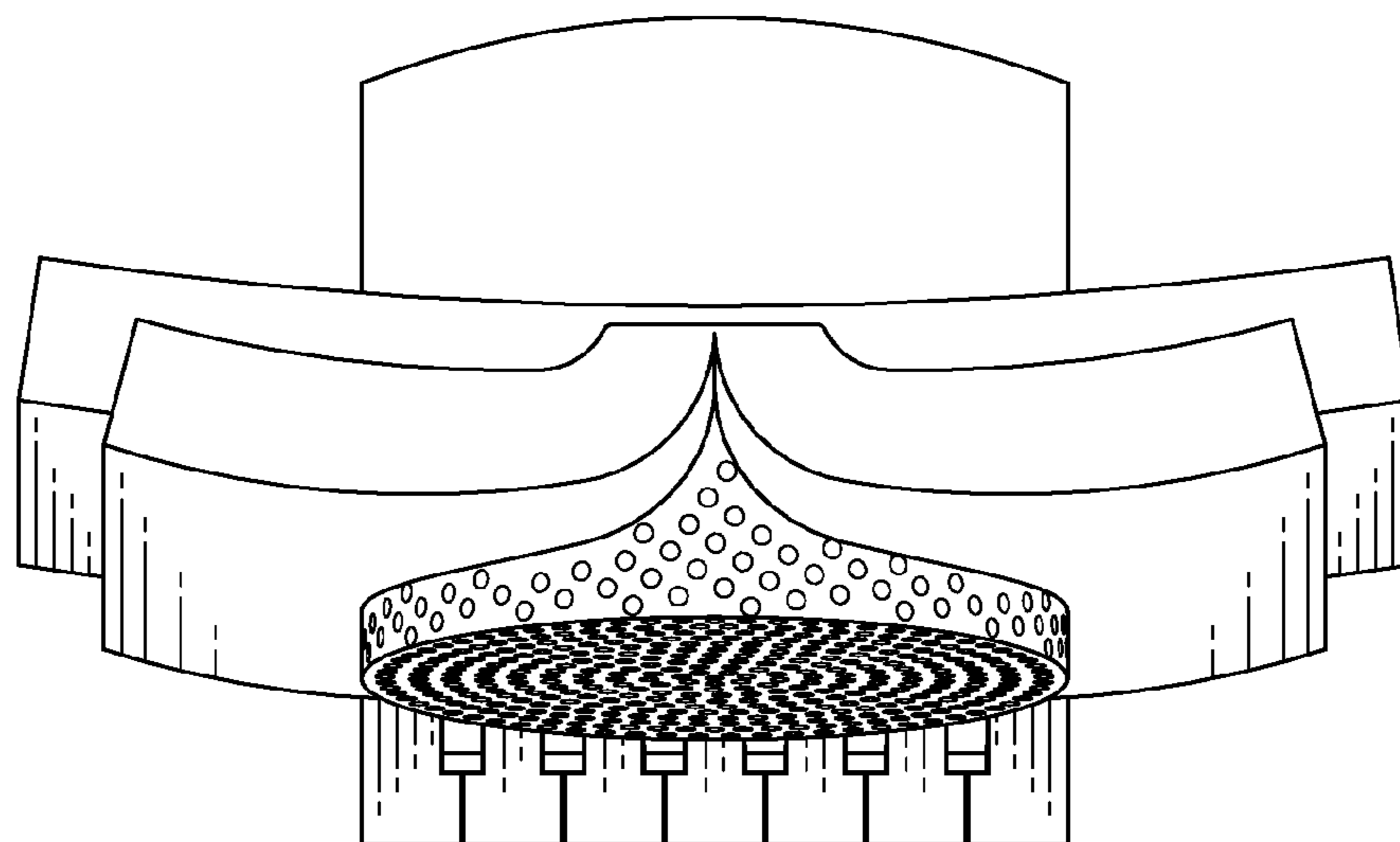


FIG. 6

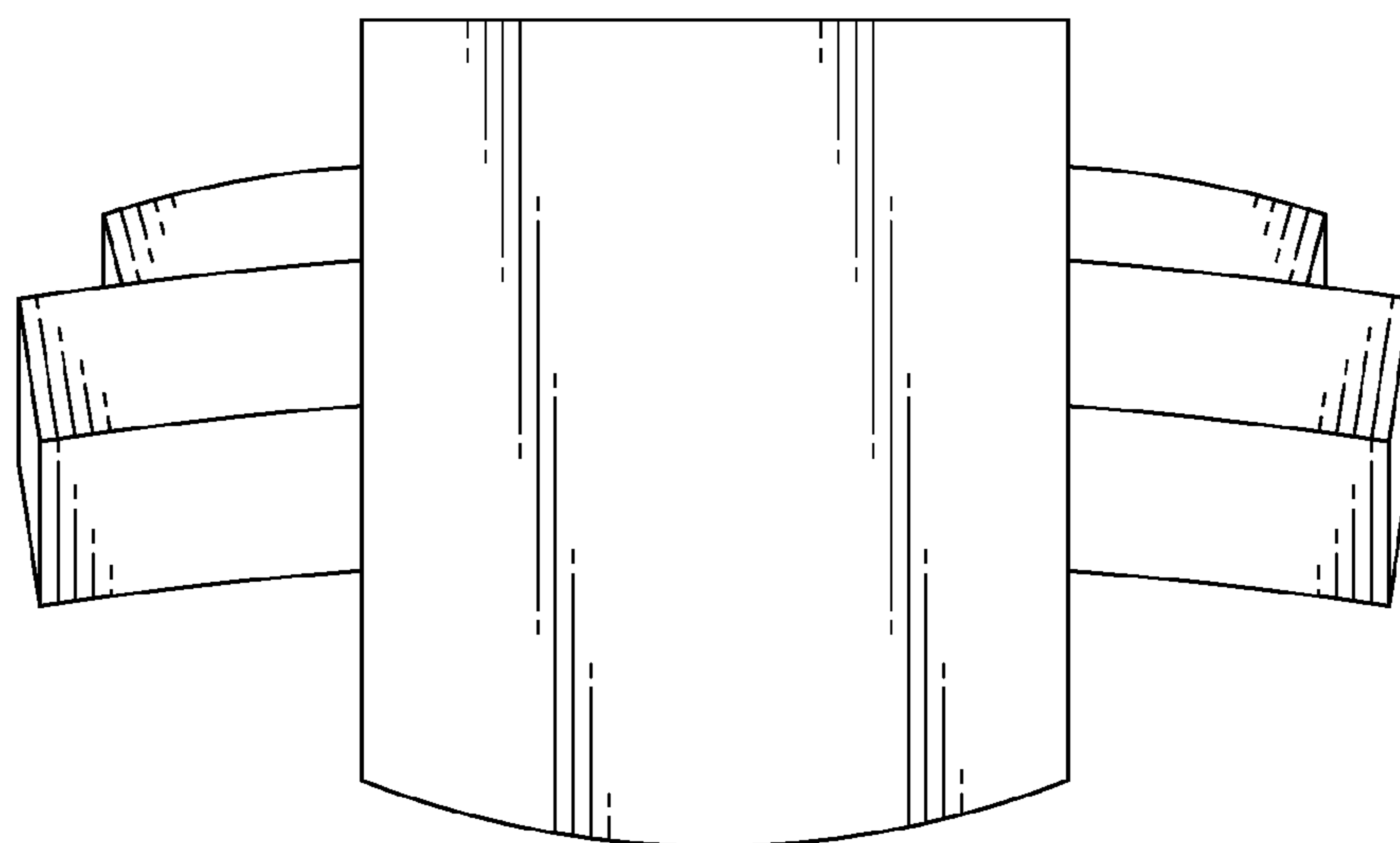


FIG. 7