



US00D612827S

(12) **United States Design Patent**  
**Song et al.**

(10) **Patent No.:** **US D612,827 S**  
(45) **Date of Patent:** **\*\* Mar. 30, 2010**

(54) **MOBILE PHONE**

(75) Inventors: **Bong-Kyu Song**, Seoul (KR); **Joon-Suh Kim**, Anyang-Si (KR); **Chang-Hwan Hwang**, Goyang-Si (KR)

(73) Assignee: **Samsung Electronics Co., Ltd.**, Suwon-Si (KR)

(\*\*) Term: **14 Years**

(21) Appl. No.: **29/333,263**

(22) Filed: **Mar. 5, 2009**

(30) **Foreign Application Priority Data**

Dec. 29, 2008 (KR) ..... 30-2008-0055897

(51) **LOC (9) Cl.** ..... **14-03**

(52) **U.S. Cl.** ..... **D14/138 AB**

(58) **Field of Classification Search** ..... D14/138 AB,  
D14/138 R, 138 AD, 345, 346, 147, 203.4,  
D14/203.7, 203.2, 143, 144; 455/575.3;  
379/433.1, 433.11, 433.13; D21/517; D10/37;  
D28/78, 83

See application file for complete search history.

(56) **References Cited**

U.S. PATENT DOCUMENTS

D443,293 S \* 6/2001 Chan ..... D18/7  
6,269,256 B1 \* 7/2001 Nakamura ..... 455/567  
D453,751 S \* 2/2002 Bearden ..... D14/138 AB  
D462,809 S \* 9/2002 LaSpina et al. .... D28/78  
D464,941 S \* 10/2002 Latto et al. .... D14/203.3  
D468,279 S \* 1/2003 Kim et al. .... D14/138 AB  
D478,517 S \* 8/2003 Law ..... D10/65  
D525,230 S \* 7/2006 Kim et al. .... D14/138 AB  
D531,157 S \* 10/2006 Lheem ..... D14/138 AB  
D540,292 S \* 4/2007 Lee et al. .... D14/138 AB  
D566,671 S \* 4/2008 Lee ..... D14/138 AA  
D575,753 S \* 8/2008 Lee et al. .... D14/138 AB  
D576,770 S \* 9/2008 Mascotte et al. .... D28/83  
D579,153 S \* 10/2008 Lee ..... D28/83

D584,268 S \* 1/2009 Kim ..... D14/138 AB  
D585,409 S \* 1/2009 Kim ..... D14/138 AB  
D586,773 S \* 2/2009 Kim et al. .... D14/138 AB  
D587,673 S \* 3/2009 Kim et al. .... D14/138 AB  
D589,486 S \* 3/2009 He ..... D14/138 AB  
D590,795 S \* 4/2009 Tkachuk ..... D14/138 AB  
D596,609 S \* 7/2009 Kim et al. .... D14/138 AB

(Continued)

OTHER PUBLICATIONS

NEC N910 telephone, announced 1st quarter 2004, [online], [site visited Nov. 6, 2009]. Available from Internet ,<URL: <http://www.gsmarena.com>>.\*

(Continued)

*Primary Examiner*—Jeffrey D Asch  
(74) *Attorney, Agent, or Firm*—Staas & Halsey LLP

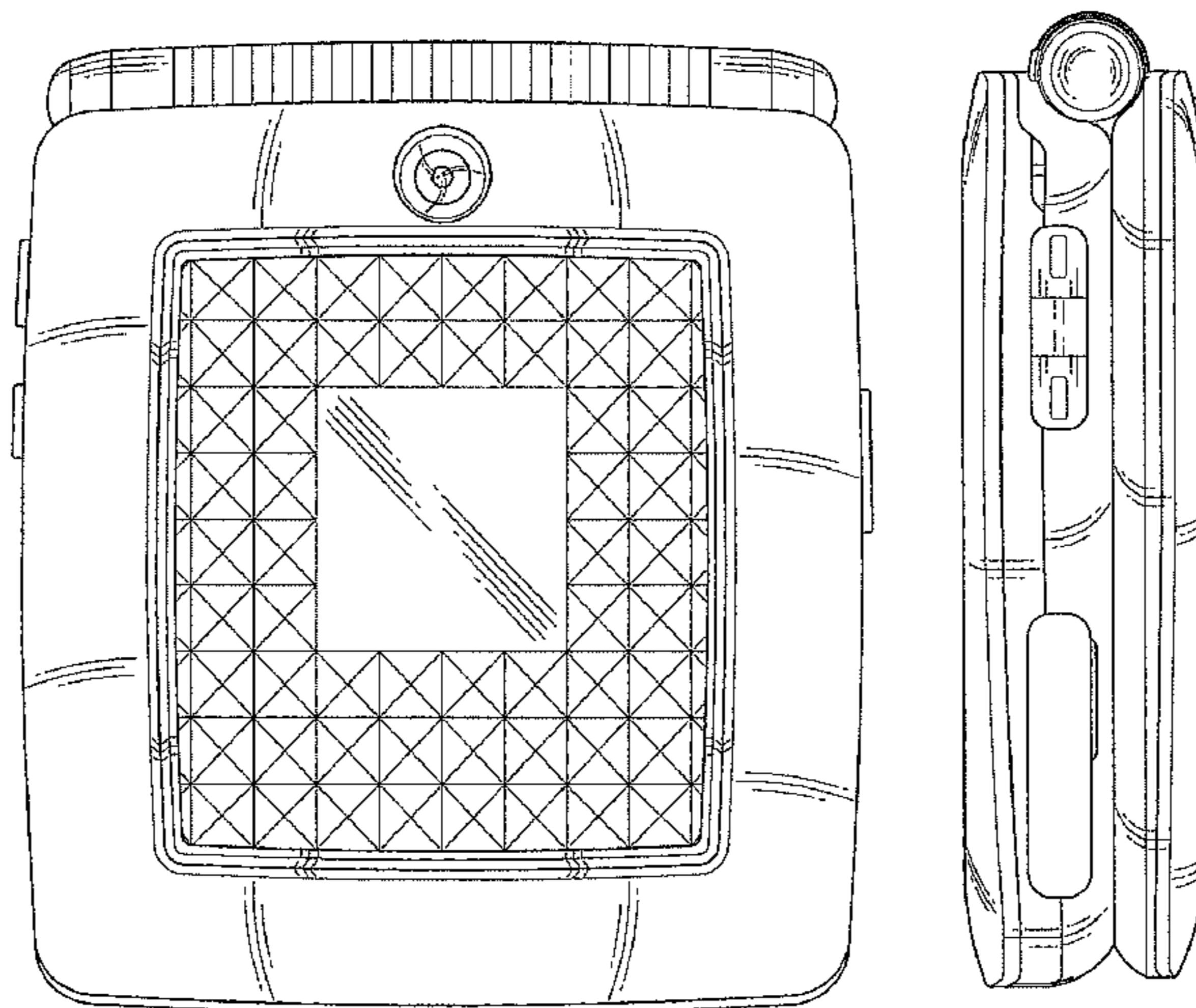
(57) **CLAIM**

The ornamental design for mobile phone, as shown and described.

**DESCRIPTION**

FIG. 1 is a front perspective view of a mobile phone;  
FIG. 2 is a front view of the mobile phone of FIG. 1;  
FIG. 3 is a rear view of the mobile phone of FIG. 1;  
FIG. 4 is a left-side view of the mobile phone of FIG. 1;  
FIG. 5 is a right-side view of the mobile phone of FIG. 1;  
FIG. 6 is a top plan view of the mobile phone of FIG. 1; and,  
FIG. 7 is a bottom plan view of the mobile phone of FIG. 1.

**1 Claim, 5 Drawing Sheets**



# US D612,827 S

Page 2

---

## U.S. PATENT DOCUMENTS

D597,052 S \* 7/2009 Kim et al. .... D14/138 AB  
D597,055 S \* 7/2009 Ladouceur et al. ... D14/138 AB  
D602,894 S \* 10/2009 Lepoultier et al. ... D14/138 AB  
2002/0094846 A1\* 7/2002 Kishimoto et al. .... 455/566  
2003/0003956 A1\* 1/2003 Maenpaa et al. .... 455/556

## OTHER PUBLICATIONS

“Sprint unveils LG LX600 Lotus Qwerty messaging phone”, Sep. 10, 2008, [online], [site visited Nov. 9, 2009]. Available from Internet ,<URL: <http://www.mobileburn.com/news.jsp?Id=5265>>.\*

\* cited by examiner

FIG. 1

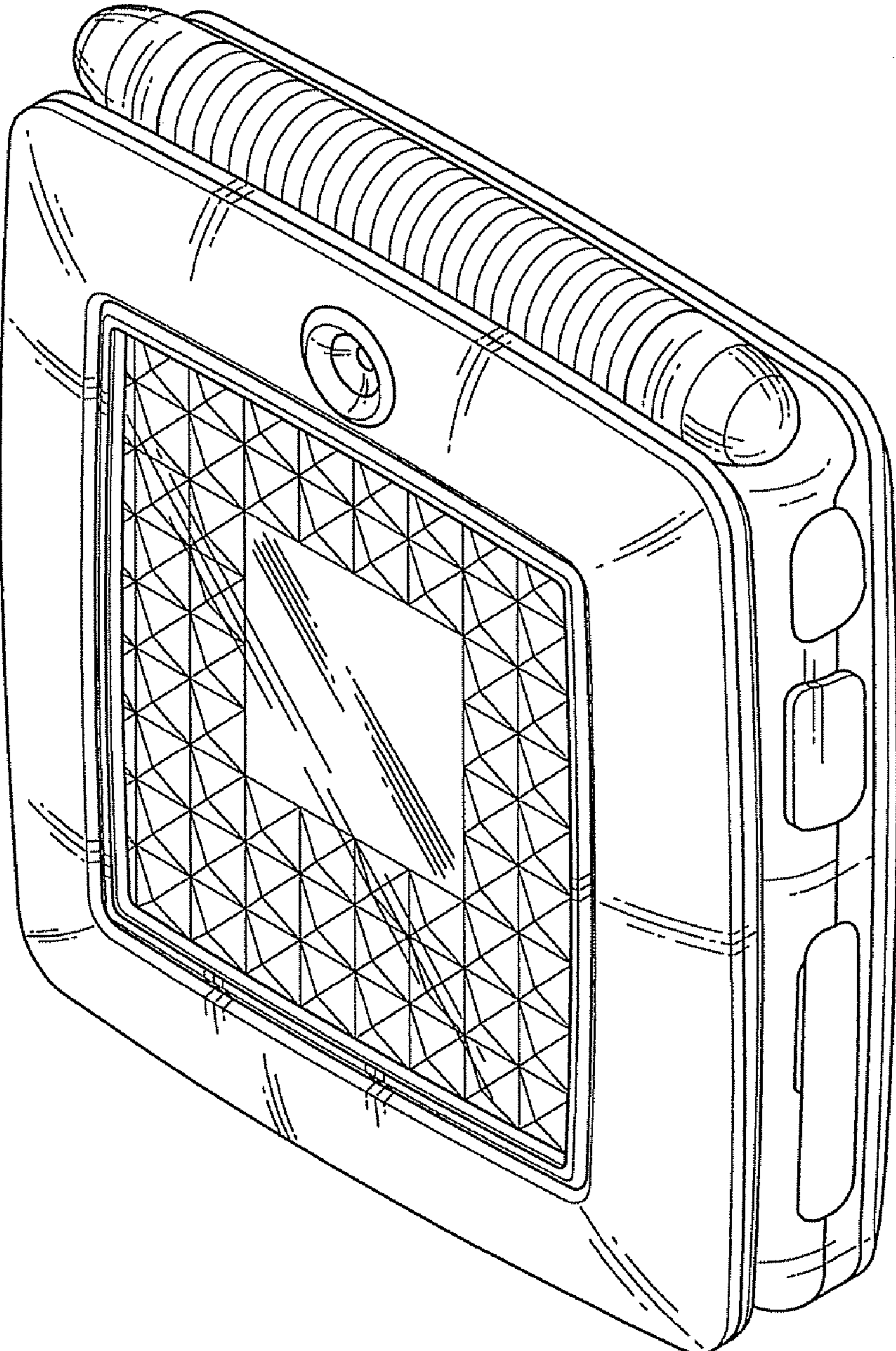




FIG. 2

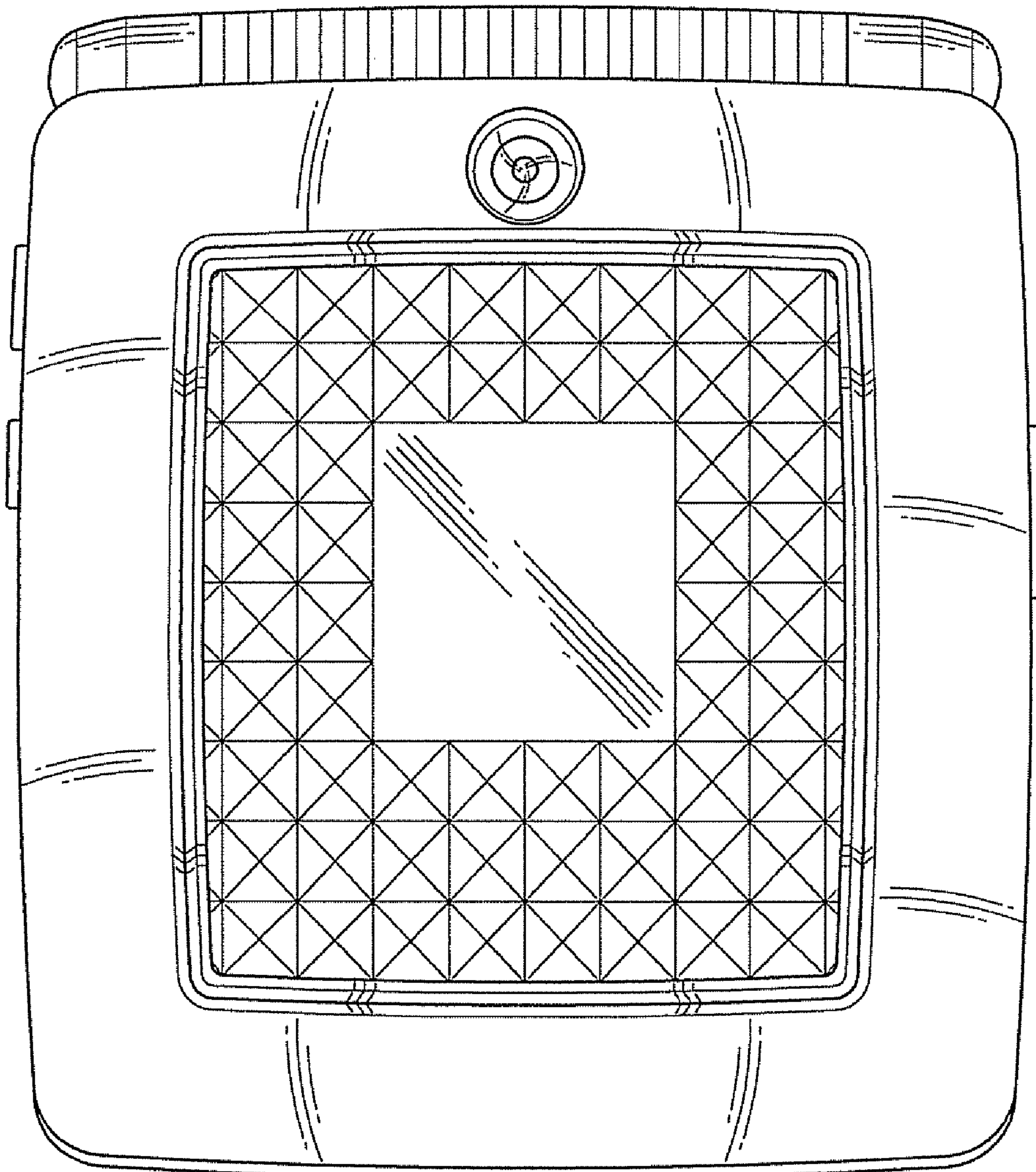


FIG. 3

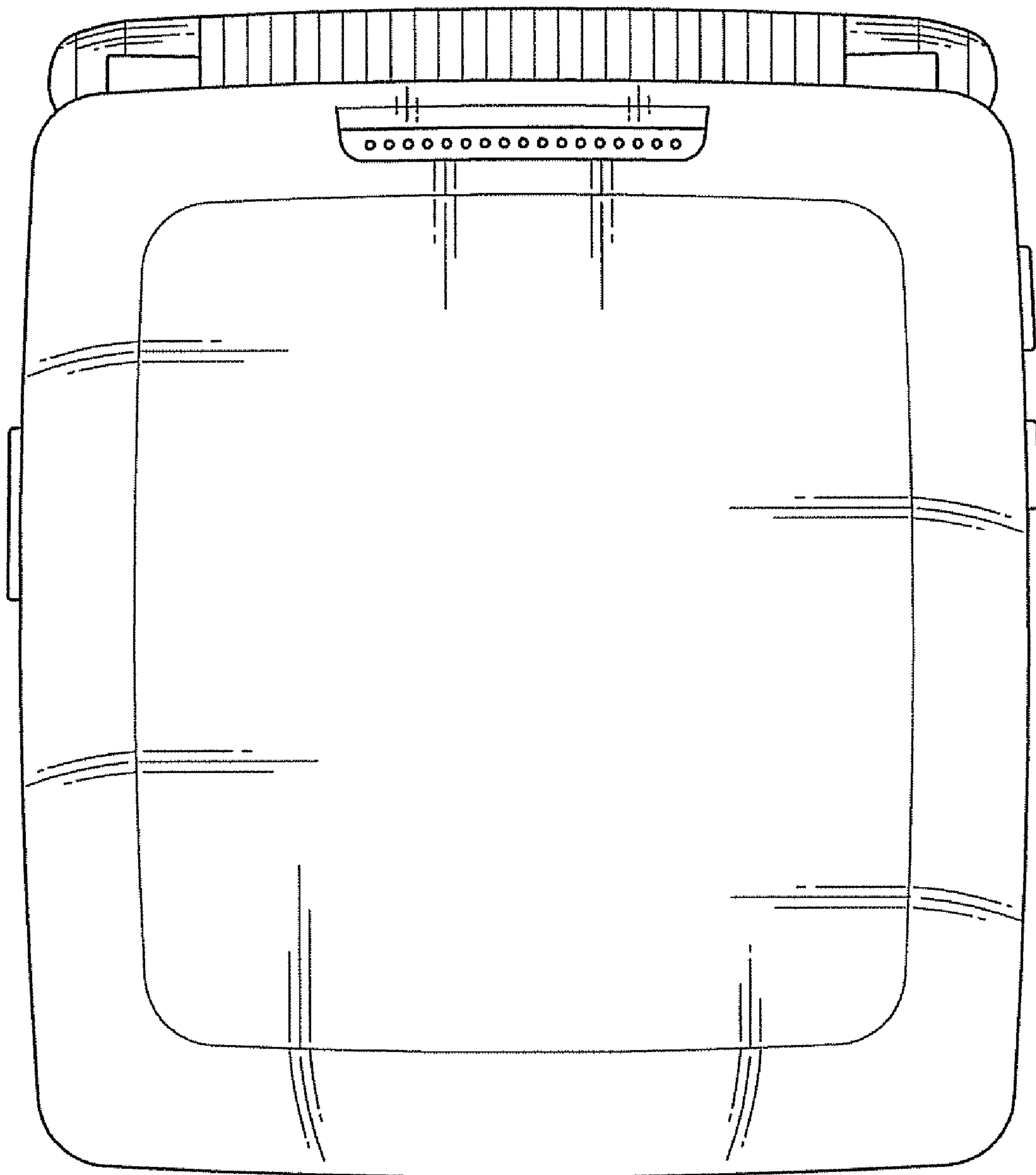


FIG. 4

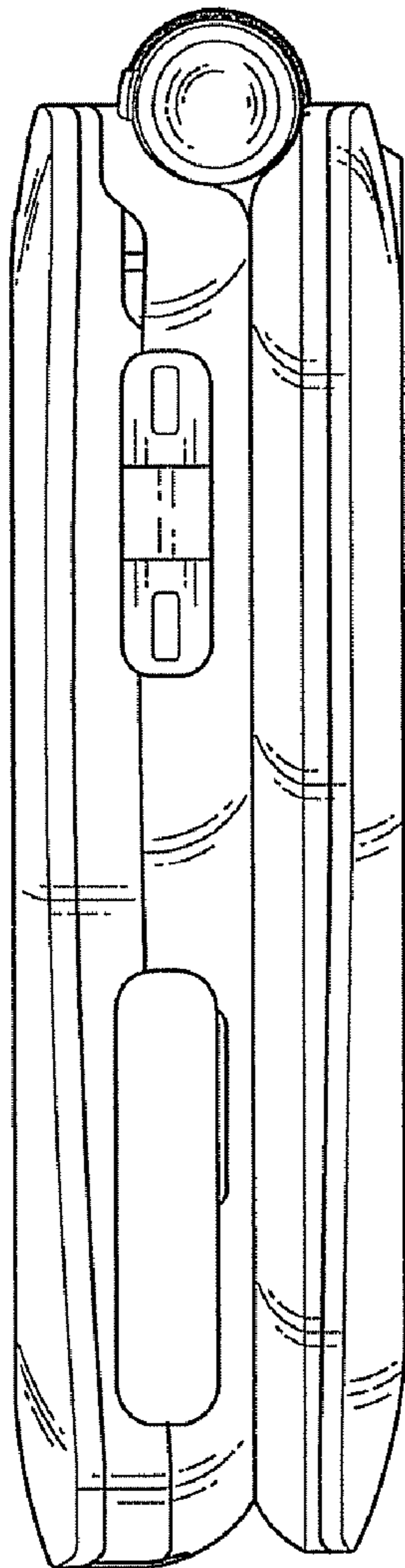


FIG. 5

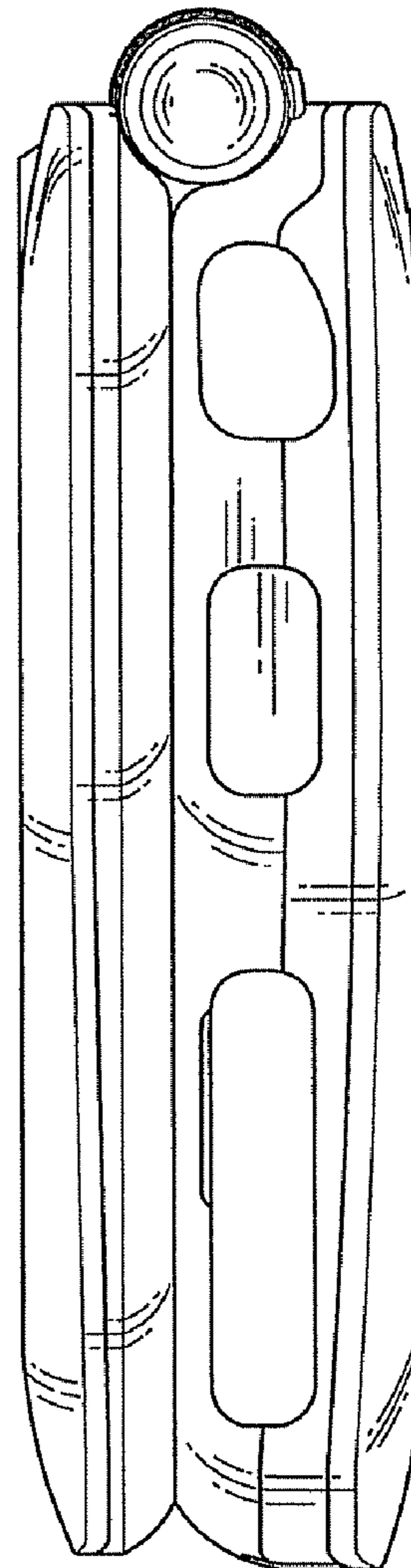


FIG. 6

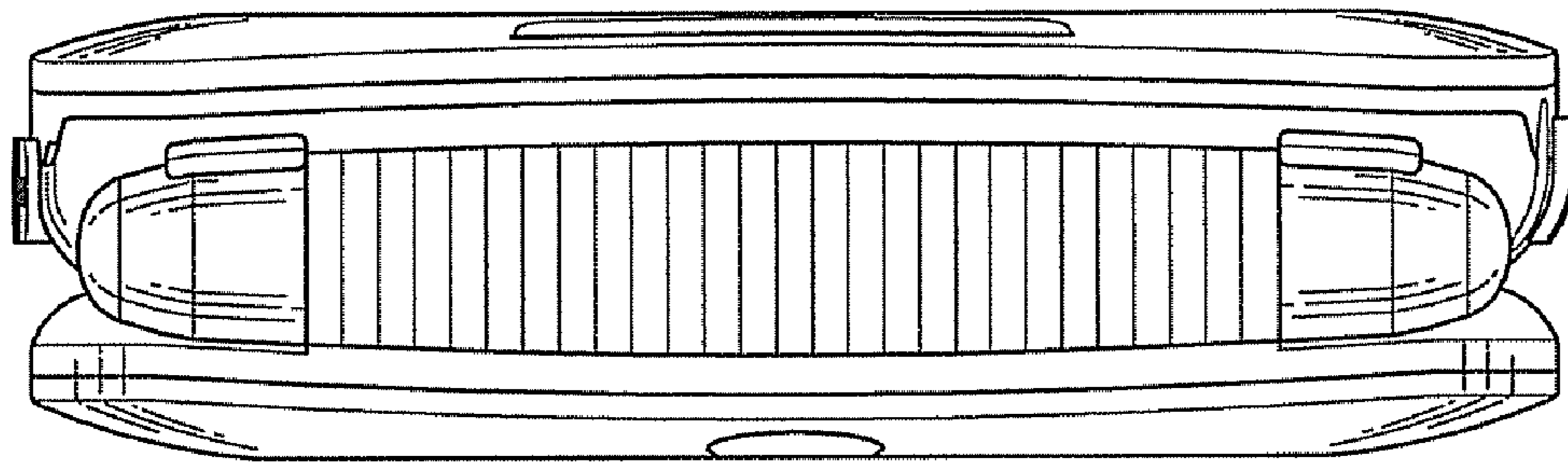


FIG. 7

