



US00D612825S

(12) **United States Design Patent**
Kim et al.

(10) **Patent No.:** **US D612,825 S**
(45) **Date of Patent:** **** Mar. 30, 2010**

(54) **PORTABLE PHONE**

(75) Inventors: **Seog-Guen Kim**, Seoul (KR);
Seung-Min Park, Seoul (KR);
Jun-Sang Park, Anyang-Si (KR)

(73) Assignee: **Samsung Electronics Co., Ltd.**,
Suwon-Si (KR)

(**) Term: **14 Years**

(21) Appl. No.: **29/328,055**

(22) Filed: **Nov. 18, 2008**

(30) **Foreign Application Priority Data**

Sep. 10, 2008 (KR) 30-2008-0039420

(51) **LOC (9) Cl.** **14-03**

(52) **U.S. Cl.** **D14/138 AB**

(58) **Field of Classification Search** D14/138 AB,
D14/138 R, 138 AD, 345, 346, 147, 203.4,
D14/203.7, 203.2, 143, 144; 455/575.3;
379/433.1, 433.11, 433.13; D21/517; D10/37;
D28/78, 83

See application file for complete search history.

(56) **References Cited**

U.S. PATENT DOCUMENTS

- D105,972 S * 9/1937 Steiner D28/83
- D143,380 S * 12/1945 Zemby D28/83
- D443,293 S * 6/2001 Chan D18/7
- D453,751 S * 2/2002 Bearden D14/138 AB
- D467,891 S * 12/2002 Tokioka et al. D14/203.3
- D468,279 S * 1/2003 Kim et al. D14/138 AB
- D482,671 S * 11/2003 DiDonato D14/144
- D488,142 S * 4/2004 Wang et al. D14/138 AB
- D491,158 S * 6/2004 Mou et al. D14/138 AB
- 6,775,560 B2 * 8/2004 King et al. 455/566
- D512,073 S * 11/2005 Rodarte D14/203.4

- 7,016,703 B2 * 3/2006 Kishimoto et al. 455/566
- D531,157 S * 10/2006 Lheem D14/138 AB
- 7,181,253 B2 * 2/2007 Kim 455/575.1
- D540,292 S * 4/2007 Lee et al. D14/138 AB
- D548,210 S * 8/2007 Lewis D14/138 AB
- D566,095 S * 4/2008 Davis D14/144

(Continued)

OTHER PUBLICATIONS

Samsung Serene telephone, announced Oct. 2005, [online], [site visited Nov. 6, 2009]. Available from Internet, <URL: <http://www.gsmarena.com>>.*

(Continued)

Primary Examiner—Jeffrey D Asch

(74) *Attorney, Agent, or Firm*—Staas & Halsey LLP

(57)

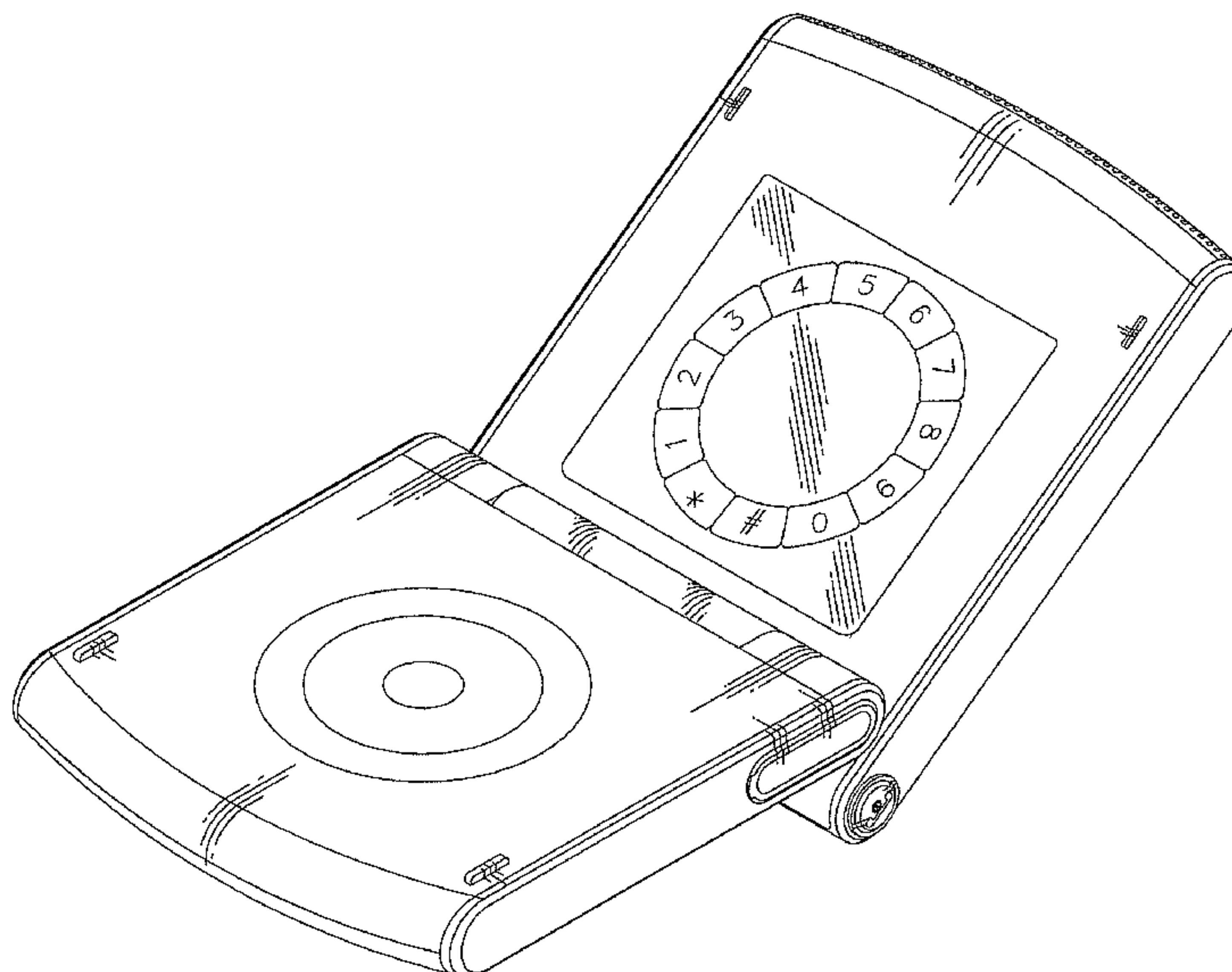
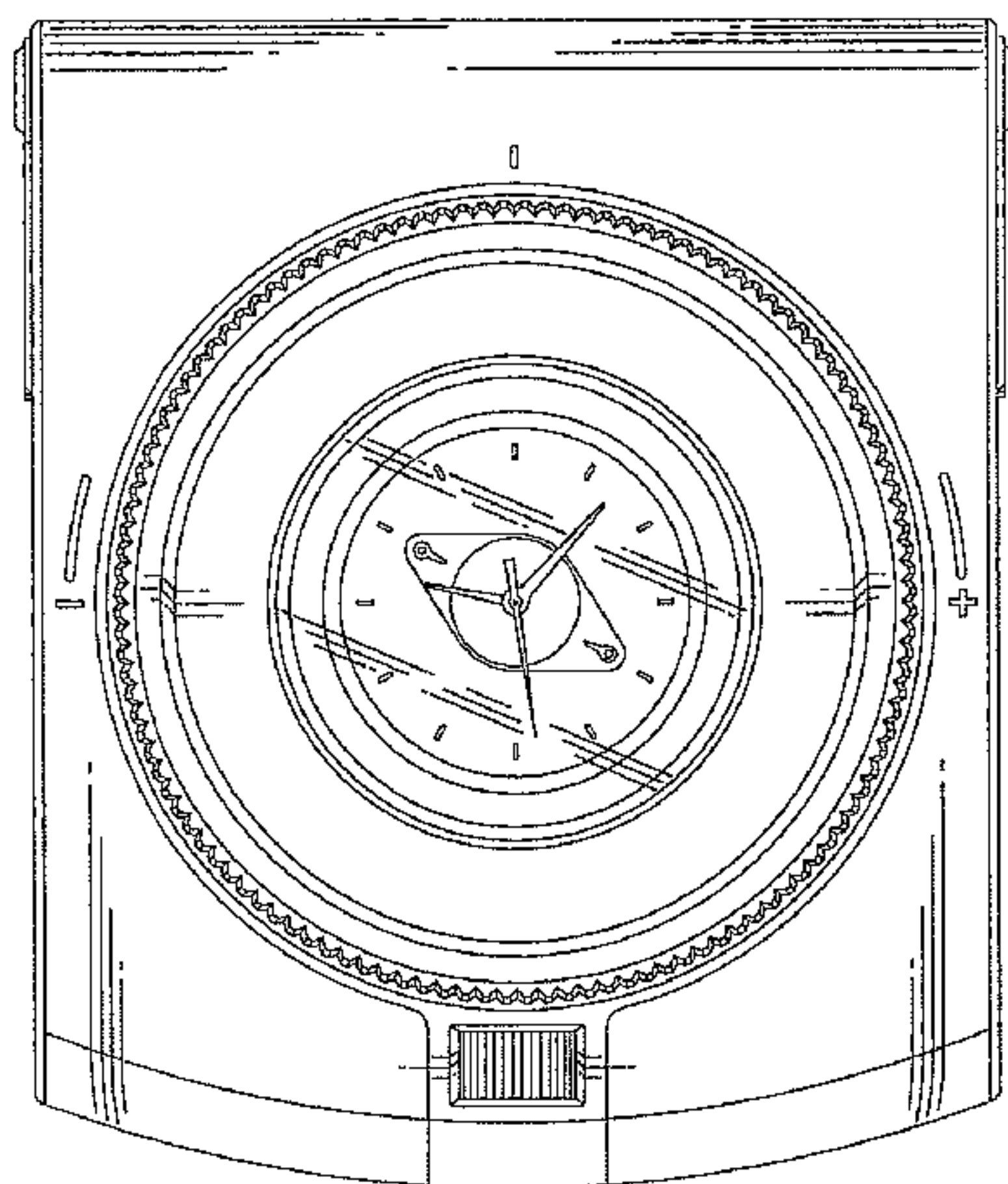
CLAIM

The ornamental design for a portable phone, as shown and described.

DESCRIPTION

FIG. 1 is a perspective view of a portable phone;
 FIG. 2 is a front view of the portable phone of FIG. 1;
 FIG. 3 is a rear view of the portable phone of FIG. 1;
 FIG. 4 is a left-side view of the portable phone of FIG. 1;
 FIG. 5 is a right-side view of the portable phone of FIG. 1;
 FIG. 6 is a top plan view of the portable phone of FIG. 1;
 FIG. 7 is a bottom plan view of the portable phone of FIG. 1;
 and,
 FIG. 8 is a front open view of the portable phone of FIG. 1.

1 Claim, 6 Drawing Sheets



US D612,825 S

Page 2

U.S. PATENT DOCUMENTS

D566,670 S * 4/2008 Huang D14/138 AB
D566,671 S * 4/2008 Lee D14/138 AA
D579,153 S * 10/2008 Lee D28/83
D584,268 S * 1/2009 Kim D14/138 AB
D585,409 S * 1/2009 Kim D14/138 AB
D591,705 S * 5/2009 Kim et al. D14/138 AB
D591,713 S * 5/2009 Kim et al. D14/138 AB
D596,609 S * 7/2009 Kim et al. D14/138 AB

D597,055 S * 7/2009 Ladouceur et al. ... D14/138 AB

OTHER PUBLICATIONS

NEC N910 telephone, announced 1st quarter 2004, [online], [site visited Nov. 6, 2009]. Available from Internet ,<URL: <http://www.gsmarena.com>>.*

NEC e808 telephone, announced 1st quarter 2003, [online], [site visited Nov. 6, 2009]. Available from Internet ,<URL: <http://www.gsmarena.com>>.*

* cited by examiner

FIG. 1

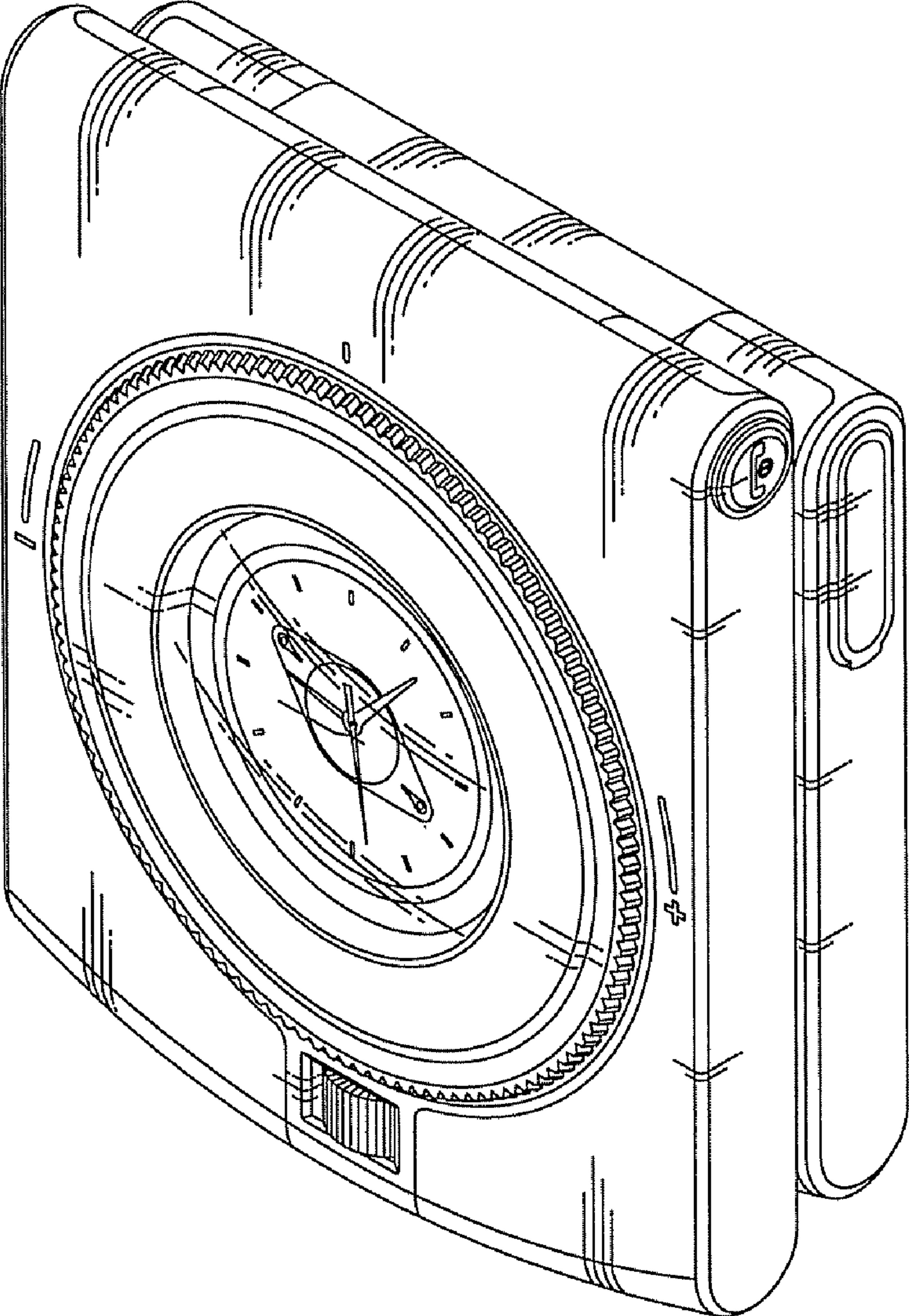


FIG. 2

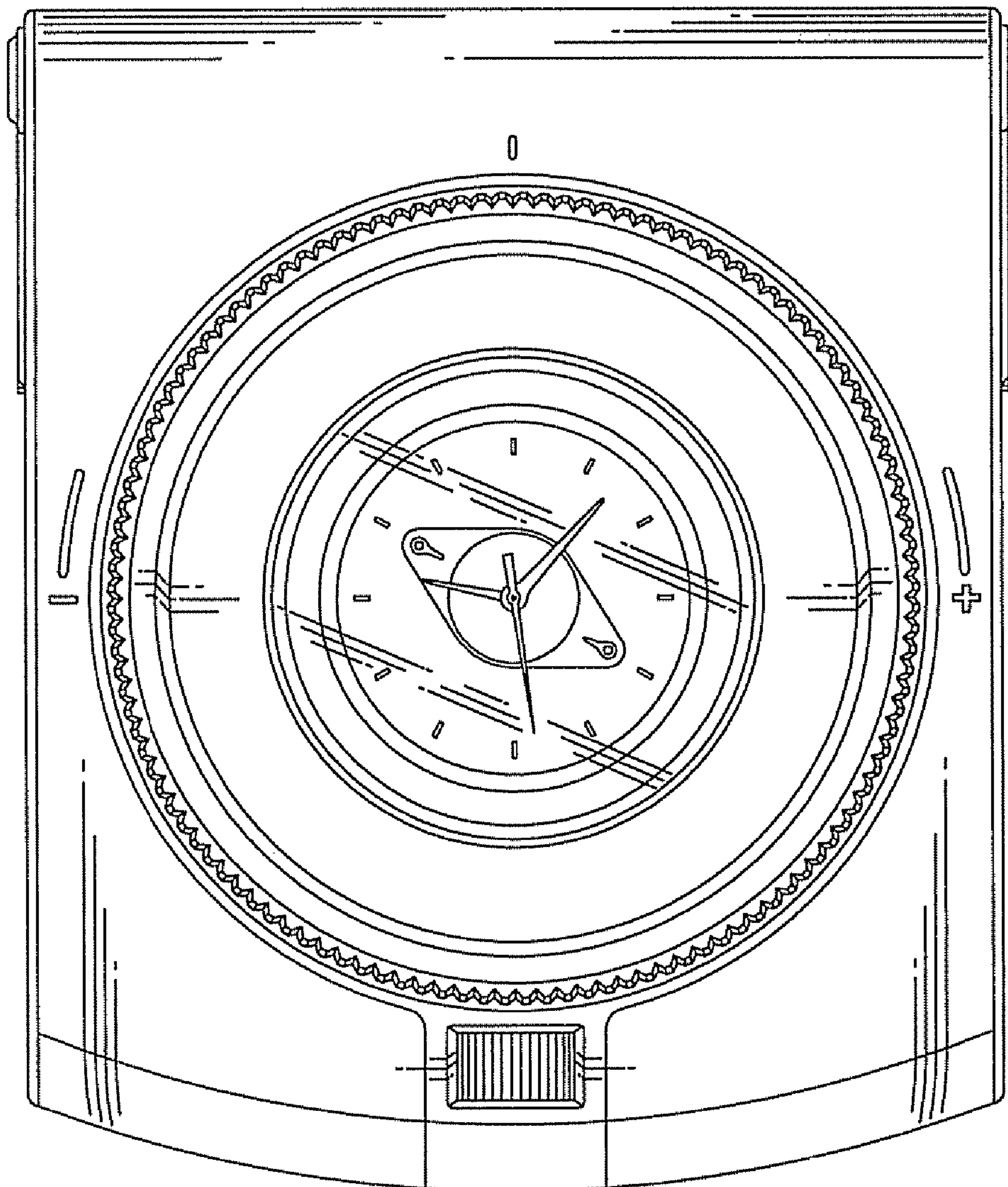


FIG. 3

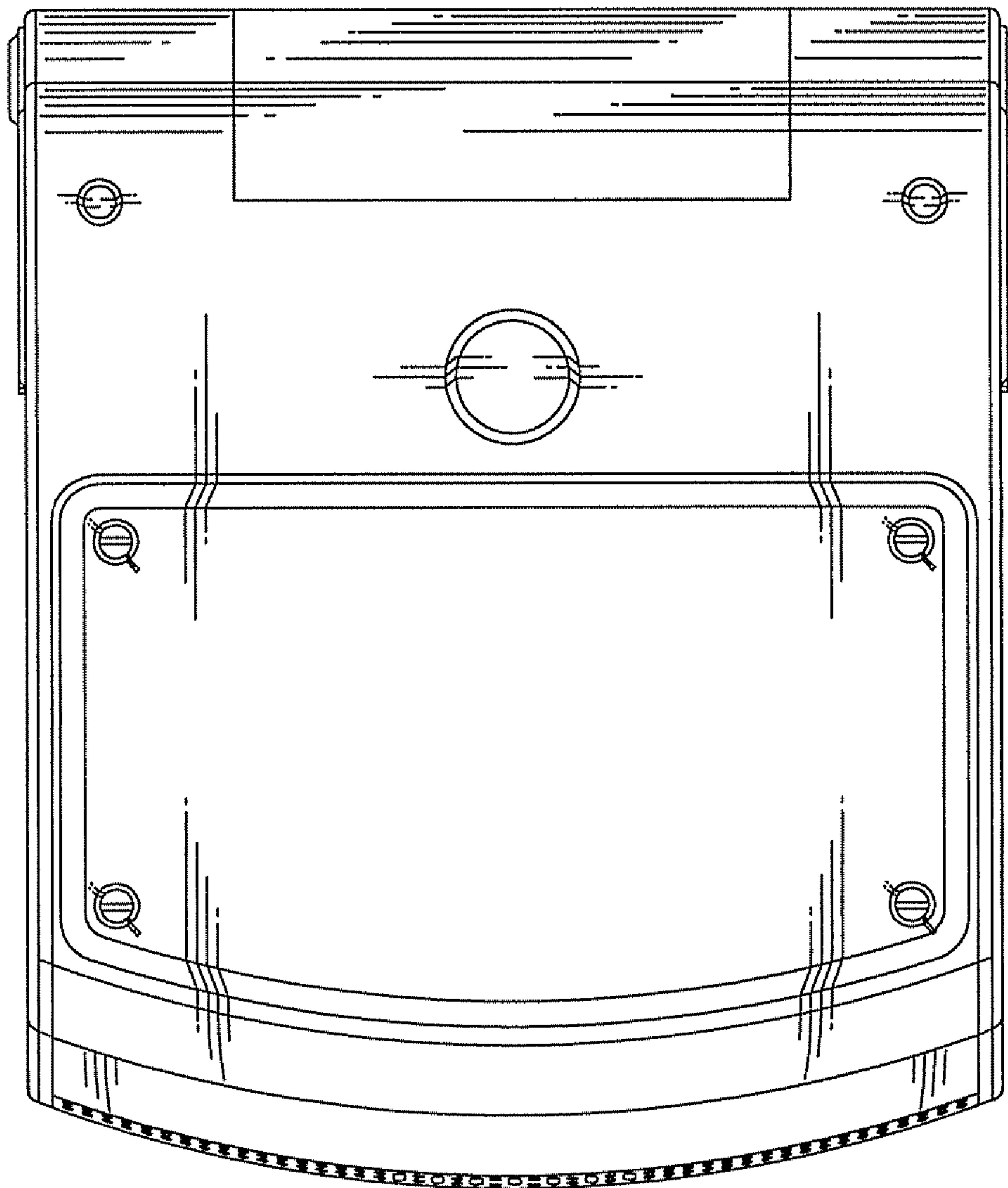


FIG. 4

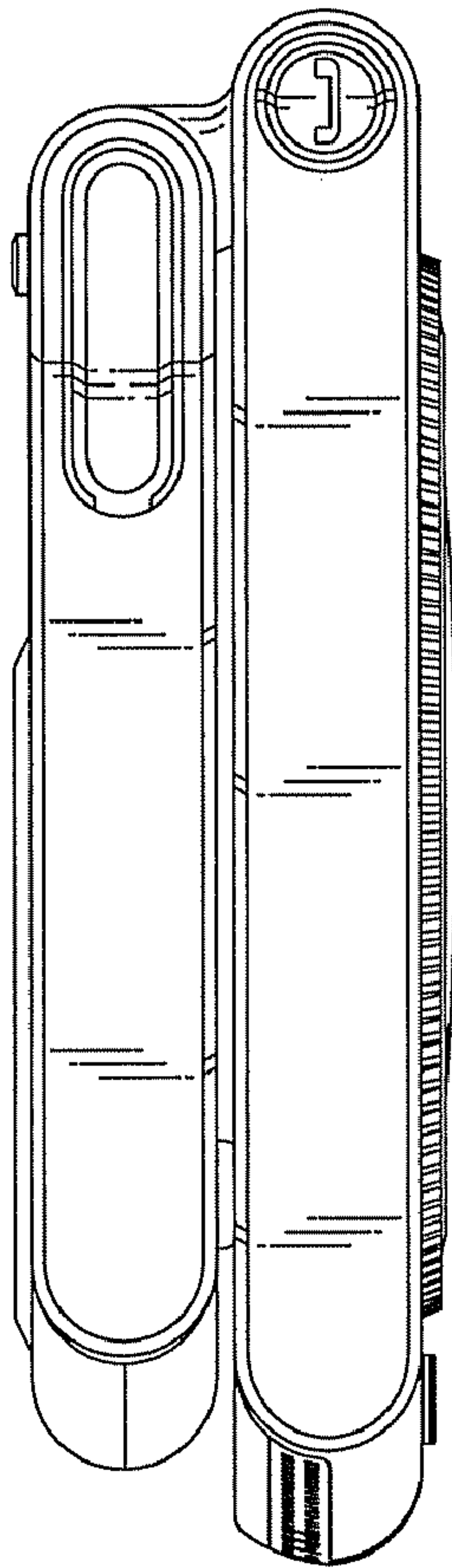


FIG. 5

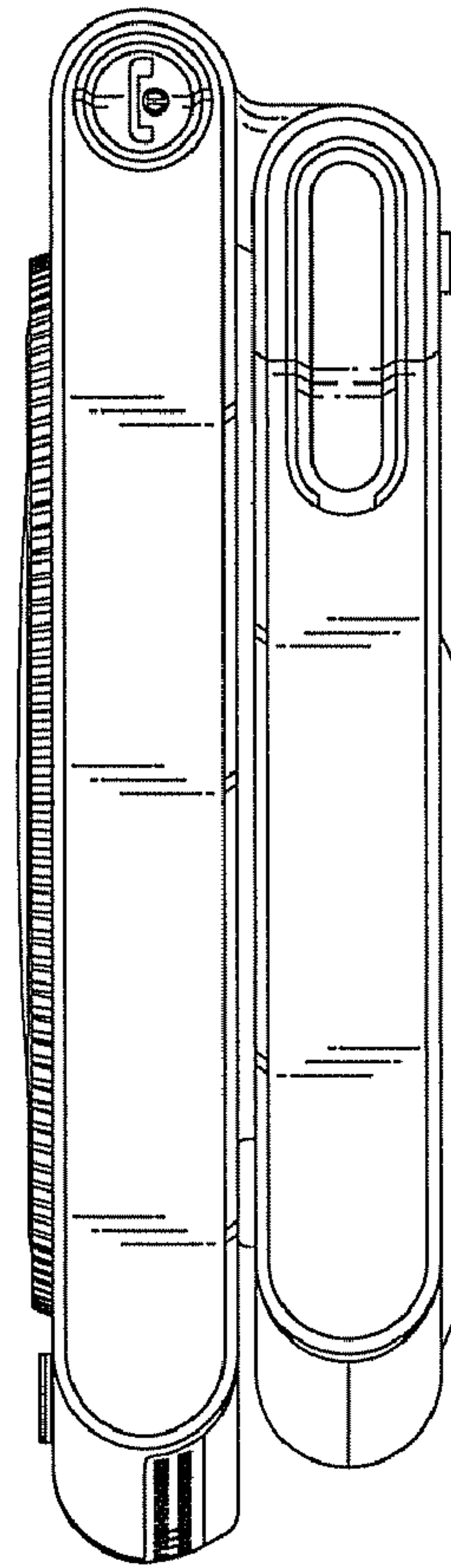


FIG. 6

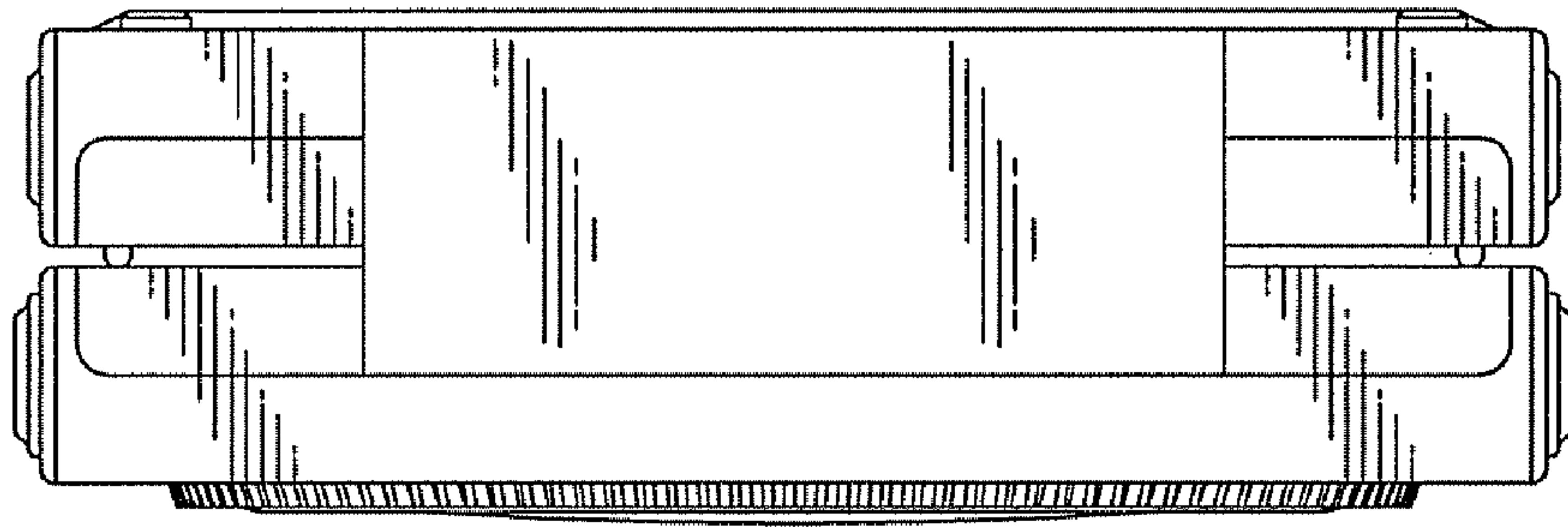


FIG. 7

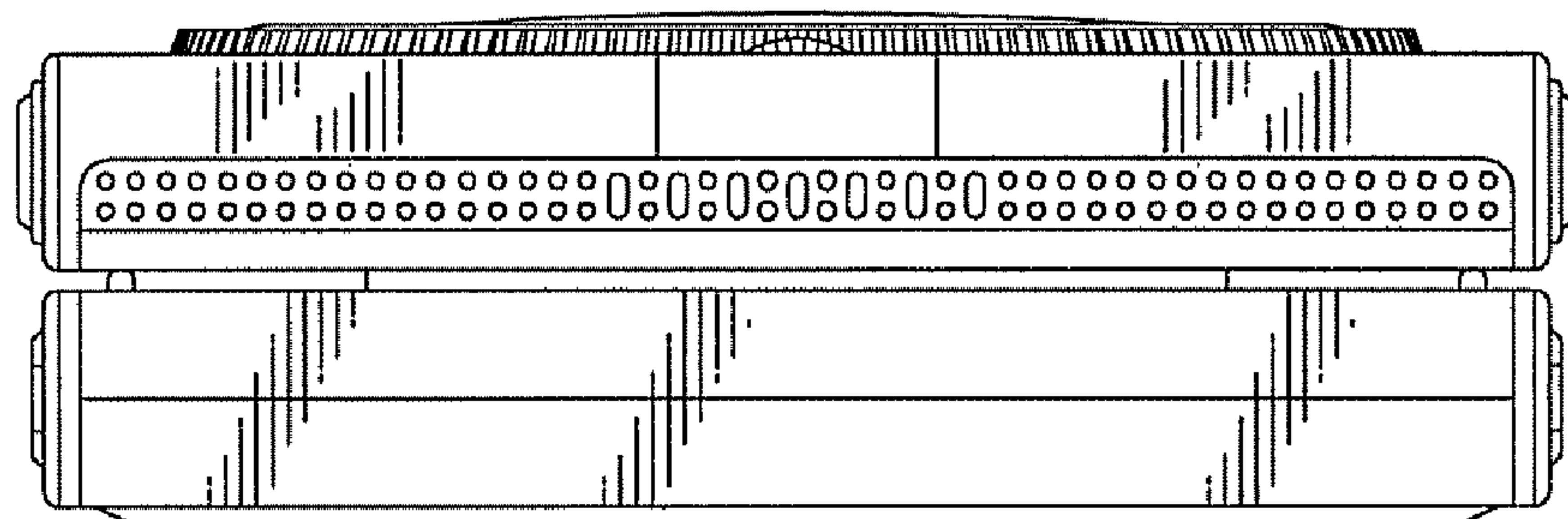


FIG. 8

