



US00D612823S

(12) **United States Design Patent**  
**Mazzeo**

(10) **Patent No.:** **US D612,823 S**

(45) **Date of Patent:** **\*\* Mar. 30, 2010**

(54) **HANDSET**

(75) **Inventor:** **Anthony W. Mazzeo**, 6 Washington Ave., Bay Shore, NY (US) 11706

(73) **Assignee:** **Anthony W. Mazzeo**, Elmont, NY (US)

(\*\*) **Term:** **14 Years**

(21) **Appl. No.:** **29/313,001**

(22) **Filed:** **Nov. 26, 2008**

(51) **LOC (9) Cl.** ..... **14-03**

(52) **U.S. Cl.** ..... **D14/138 AB; D14/138 R**

(58) **Field of Classification Search** ..... D14/138 AB, D14/138 R, 345, 346, 147, 203.4, 203.7, D14/203.2, 143, 144, 137; 455/575.3; 379/433.1, 379/433.11, 433.13; D21/517  
See application file for complete search history.

(56) **References Cited**

**U.S. PATENT DOCUMENTS**

D199,853	S	*	12/1964	Gilbert	.....	D21/517
3,551,607	A	*	12/1970	Tommasi et al.	.....	379/370
D254,435	S	*	3/1980	Ferron	.....	D14/147
D282,738	S	*	2/1986	Nichols	.....	D14/138 AB
D285,197	S	*	8/1986	Bressler et al.	.....	D14/147
D286,877	S	*	11/1986	Powell	.....	D14/248
D293,238	S	*	12/1987	Elie	.....	D14/147
D296,694	S	*	7/1988	Watanabe	.....	D14/138 AA
D298,621	S	*	11/1988	Willis	.....	D14/147
4,845,772	A	*	7/1989	Metroka et al.	.....	455/574
D316,409	S	*	4/1991	Sharbaugh	.....	D14/138 R
D317,483	S	*	6/1991	Wiggs et al.	.....	D21/517
D319,441	S	*	8/1991	Konno et al.	.....	D14/147
D326,092	S	*	5/1992	Kikuchi et al.	.....	D14/138 G
D326,262	S	*	5/1992	Soren et al.	.....	D14/138 R
D326,451	S	*	5/1992	Roegner	.....	D14/138 AD
D334,568	S	*	4/1993	Giordano et al.	.....	D14/138 R
D347,221	S	*	5/1994	Siddoway	.....	D14/138 AB
D348,458	S	*	7/1994	Brown et al.	.....	D14/138 R

D368,473	S	*	4/1996	Nijima et al.	.....	D14/138 AA
D378,088	S	*	2/1997	Ando	.....	D14/138 AB
D418,517	S	*	1/2000	IP	.....	D14/248
6,665,550	B1	*	12/2003	Muller	.....	455/575.1
7,530,277	B2	*	5/2009	Miyasaka et al.	.....	73/856

\* cited by examiner

*Primary Examiner*—Jeffrey D Asch

(74) *Attorney, Agent, or Firm*—Alfred M. Walker

(57) **CLAIM**

The ornamental design for a handset, as shown and described.

**DESCRIPTION**

FIG. 1 is a front elevational view of the handset, shown in an open position;

FIG. 2 is a rear elevational view thereof;

FIG. 3 is a left side elevational view thereof;

FIG. 4 is a top plan view thereof;

FIG. 5 is a right side elevational view thereof;

FIG. 6 is a bottom view thereof;

FIG. 7 is a front elevational view of the handset, shown in a closed position,

FIG. 8 is a rear elevational view thereof;

FIG. 9 is a left side elevational view thereof;

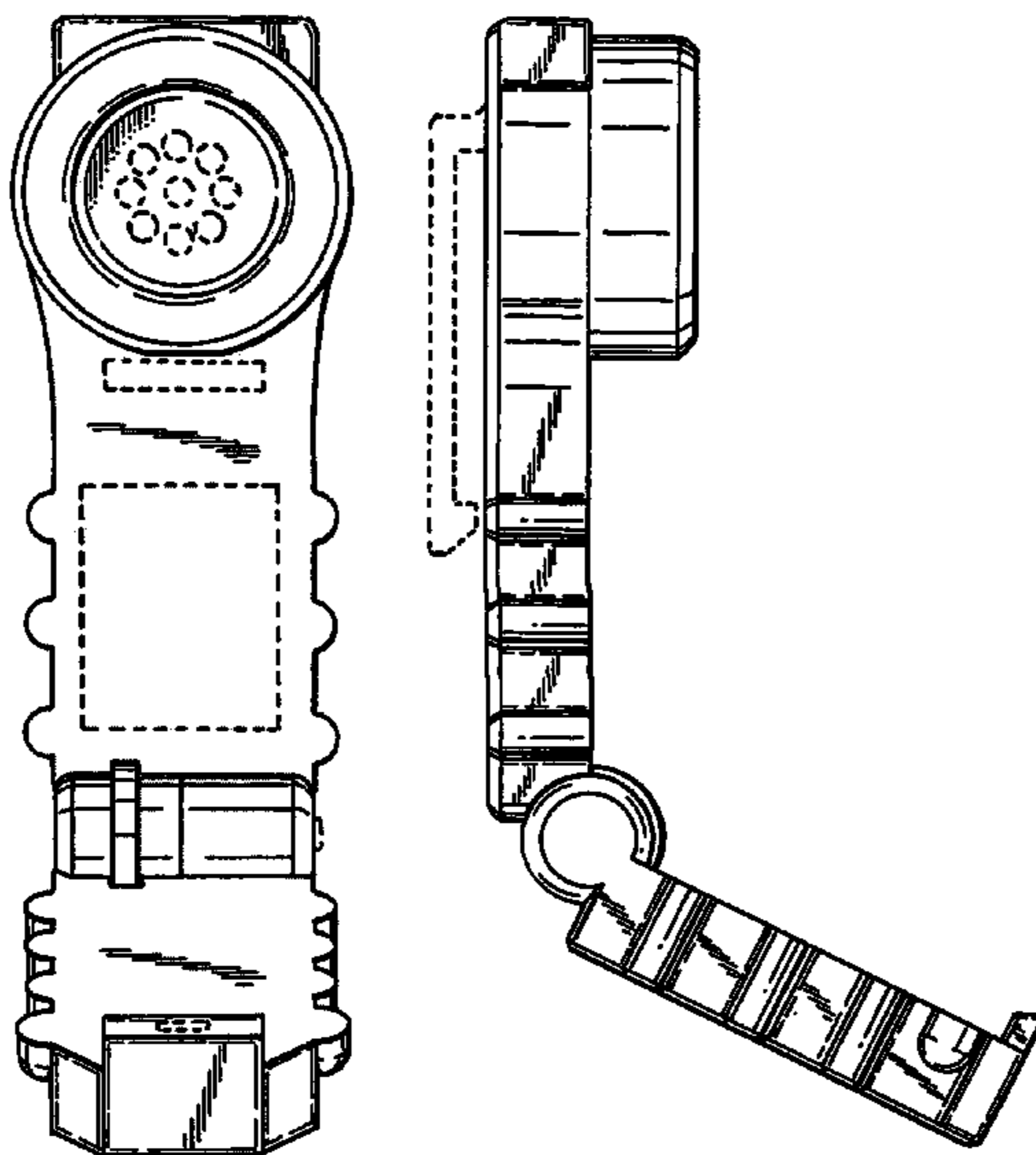
FIG. 10 is a top plan view thereof;

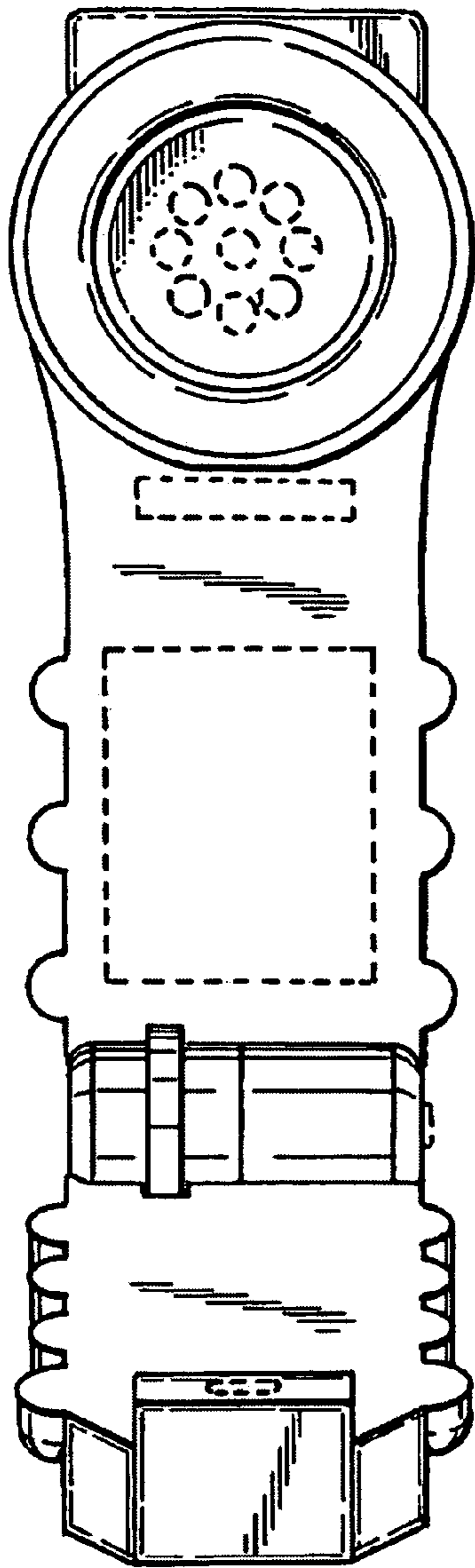
FIG. 11 is a right side elevational view thereof; and,

FIG. 12 is a bottom view thereof.

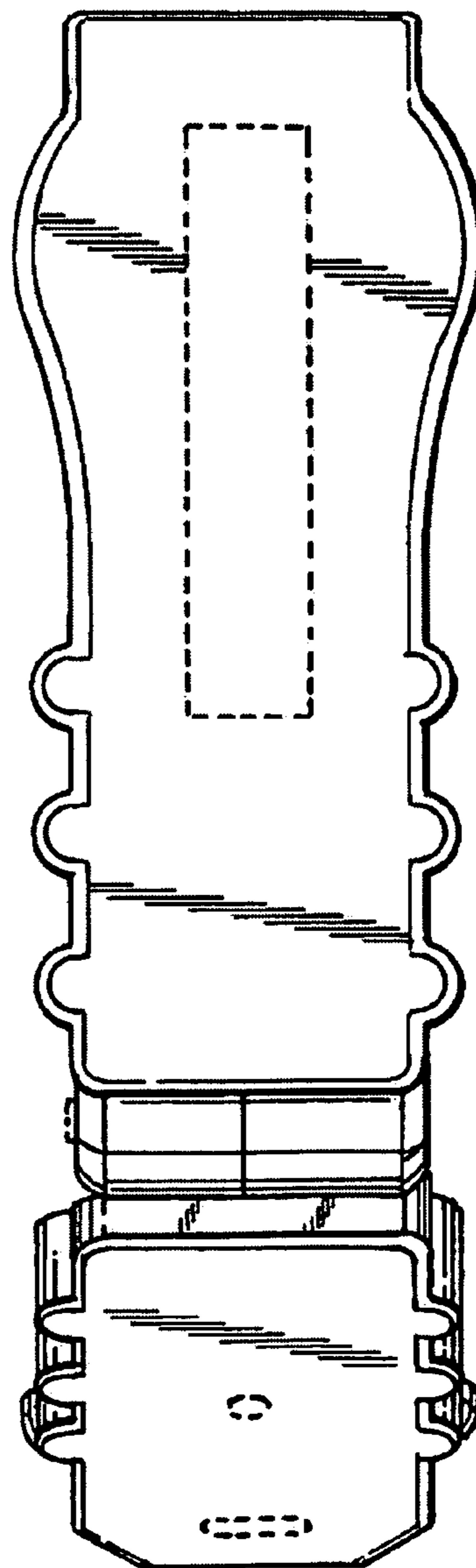
The broken lines shown throughout the views, which are immediately adjacent to the shaded areas and define unshaded regions, represent the bounds of the claimed design, while all other broken lines are directed to environment and are for illustrative purposes only; the broken lines form no part of the claimed design.

**1 Claim, 5 Drawing Sheets**



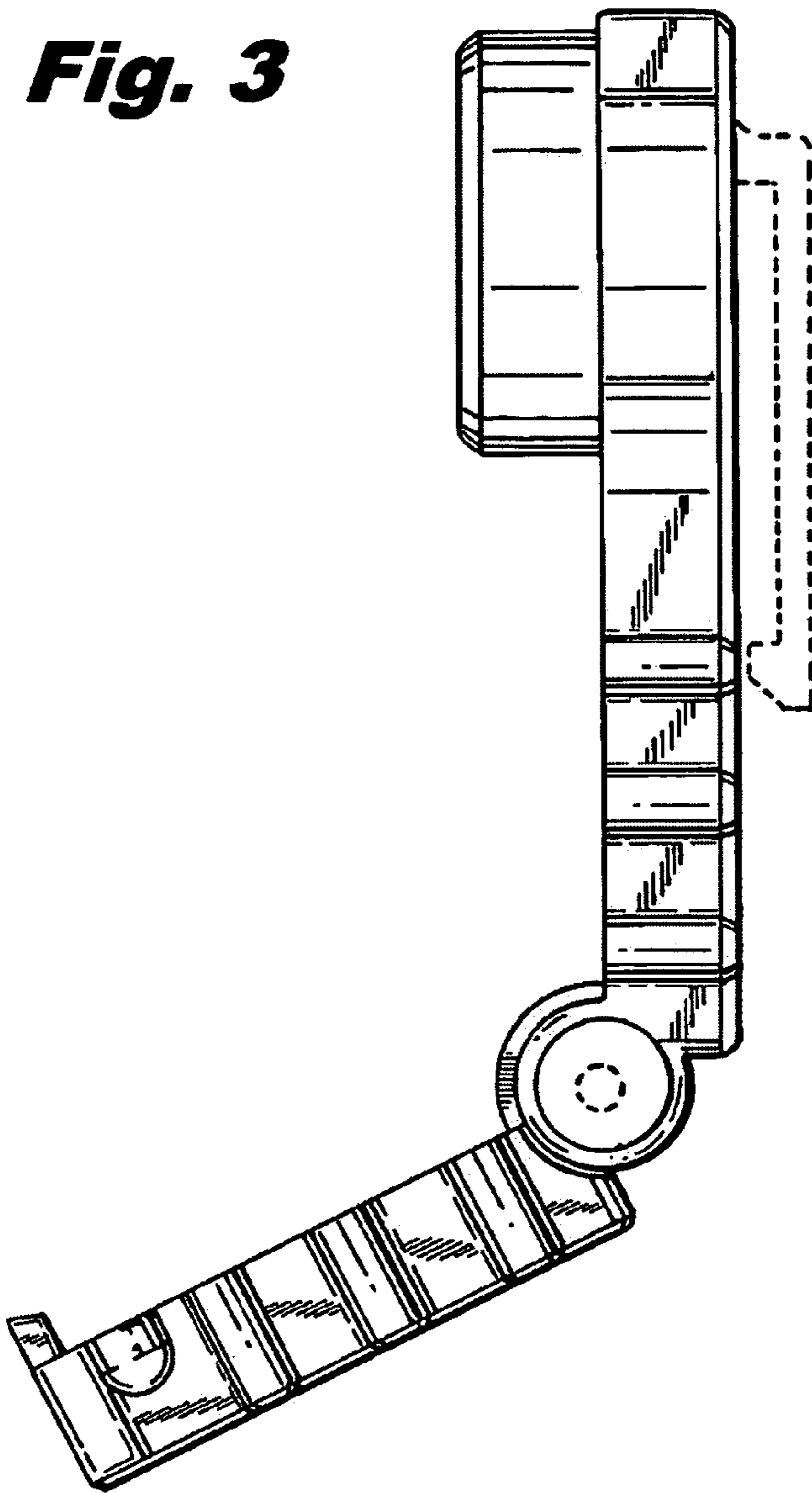


**Fig. 1**

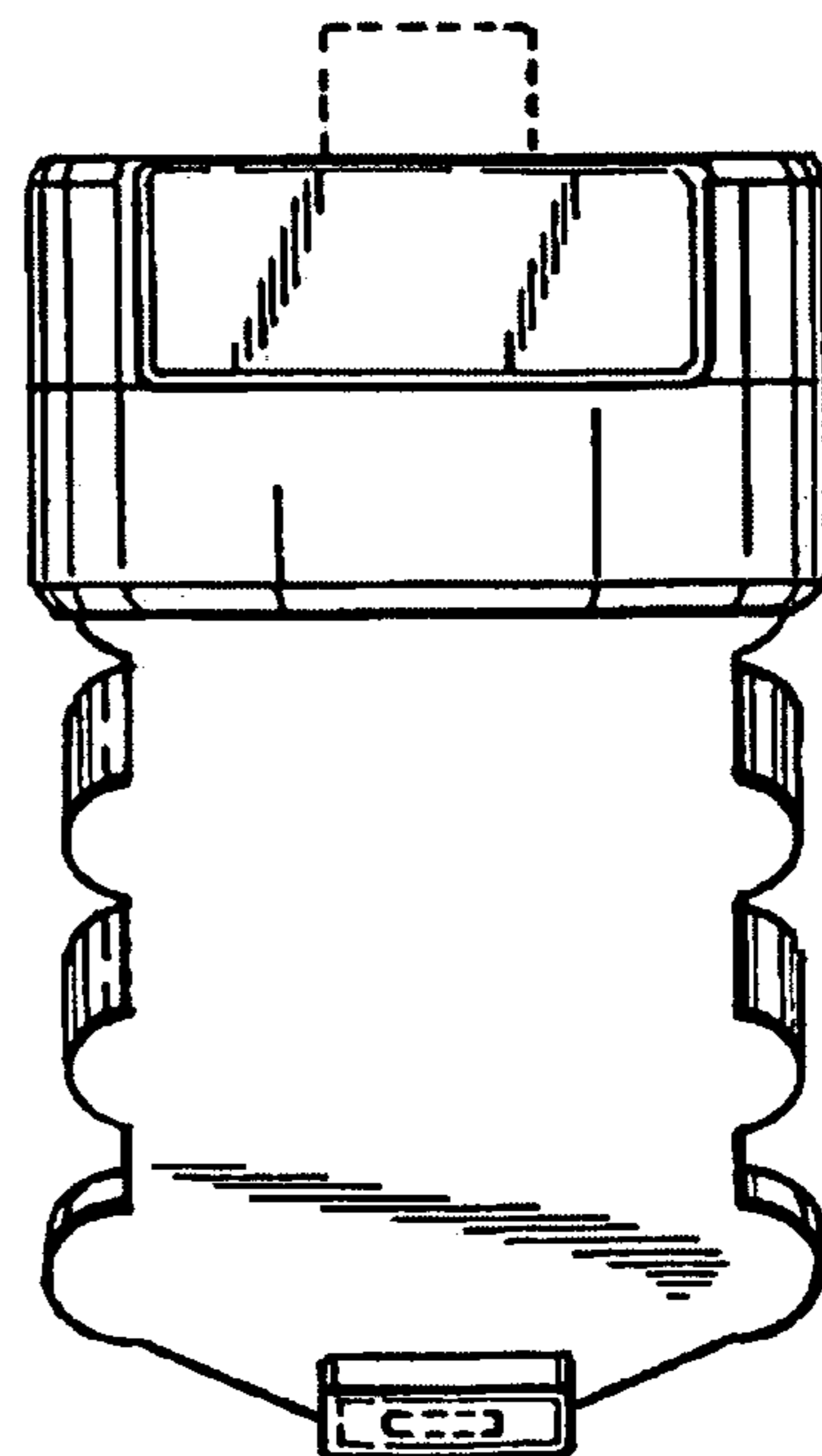


**Fig. 2**

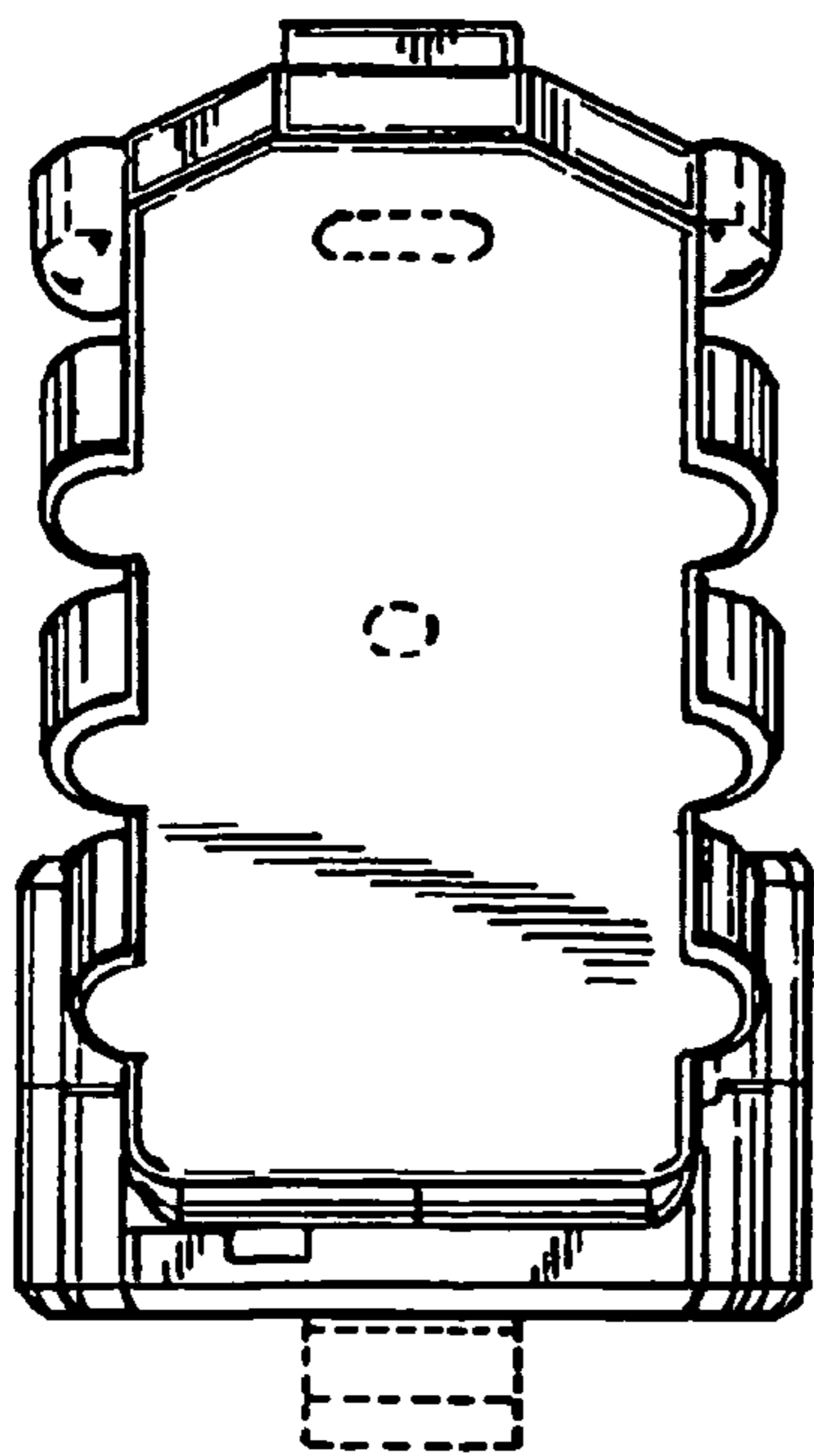
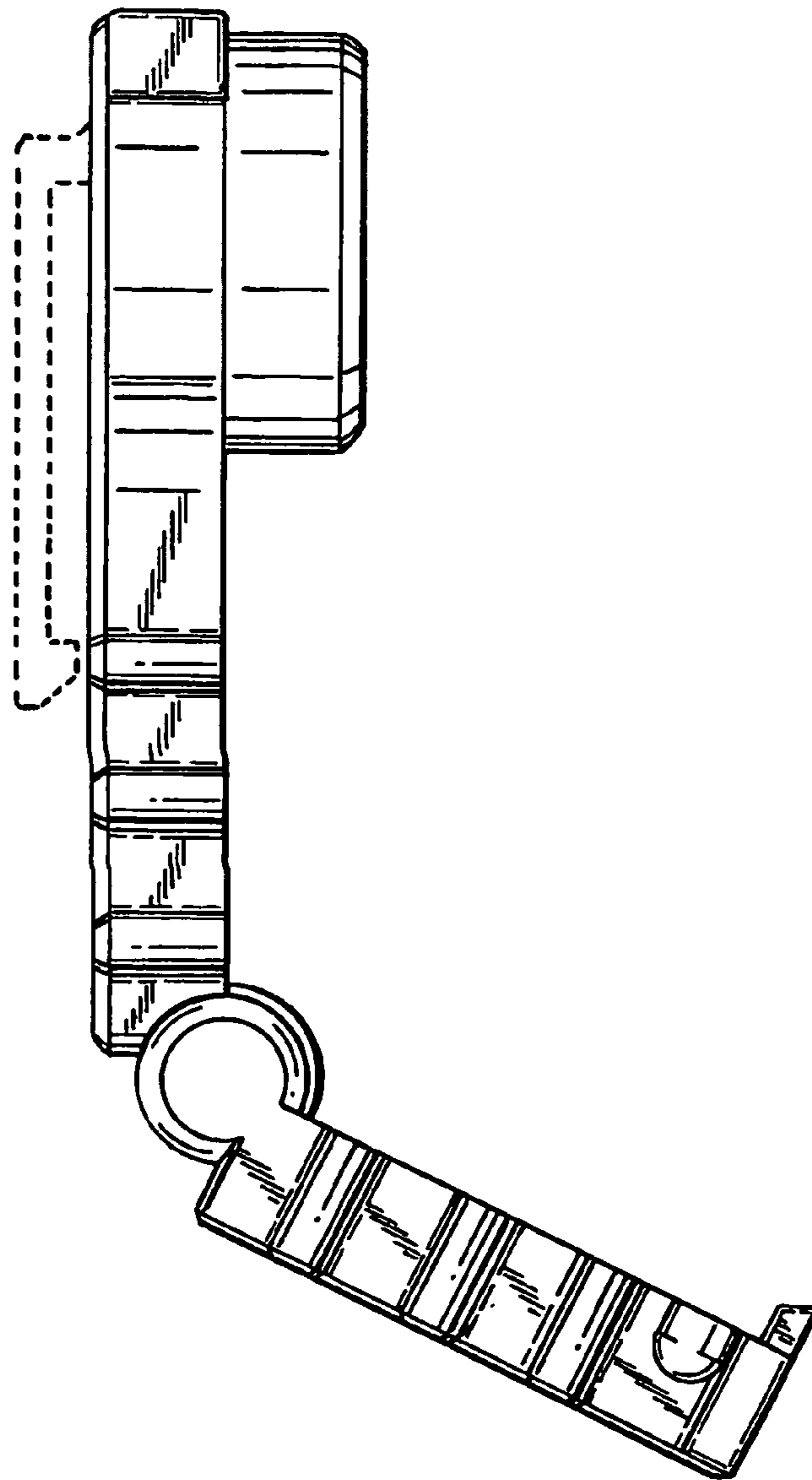
**Fig. 3**



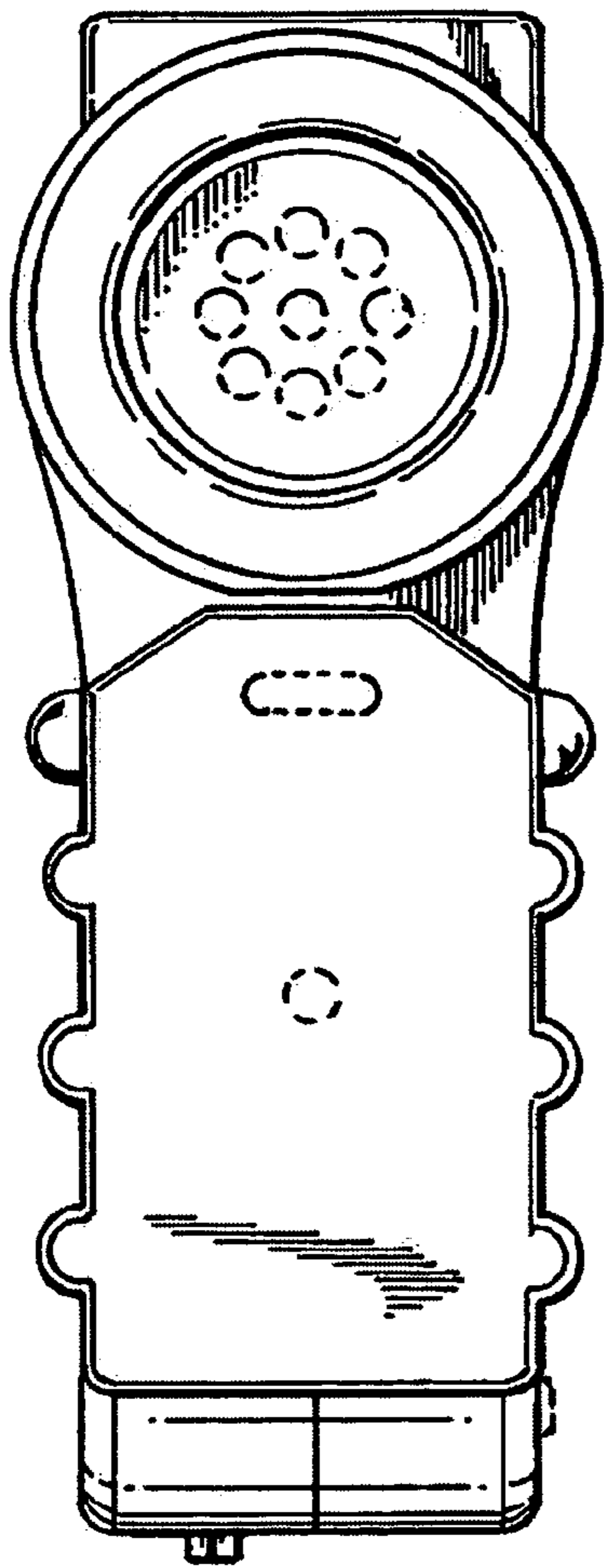
**Fig. 4**



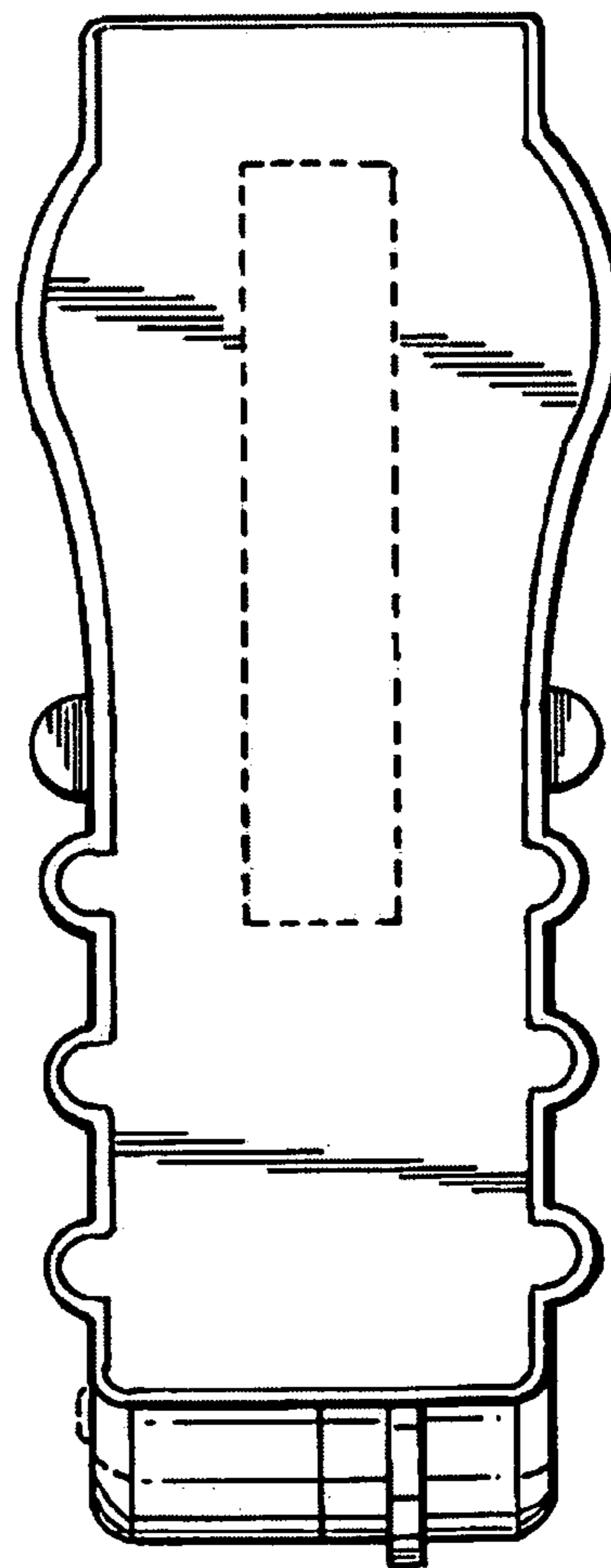
**Fig. 5**



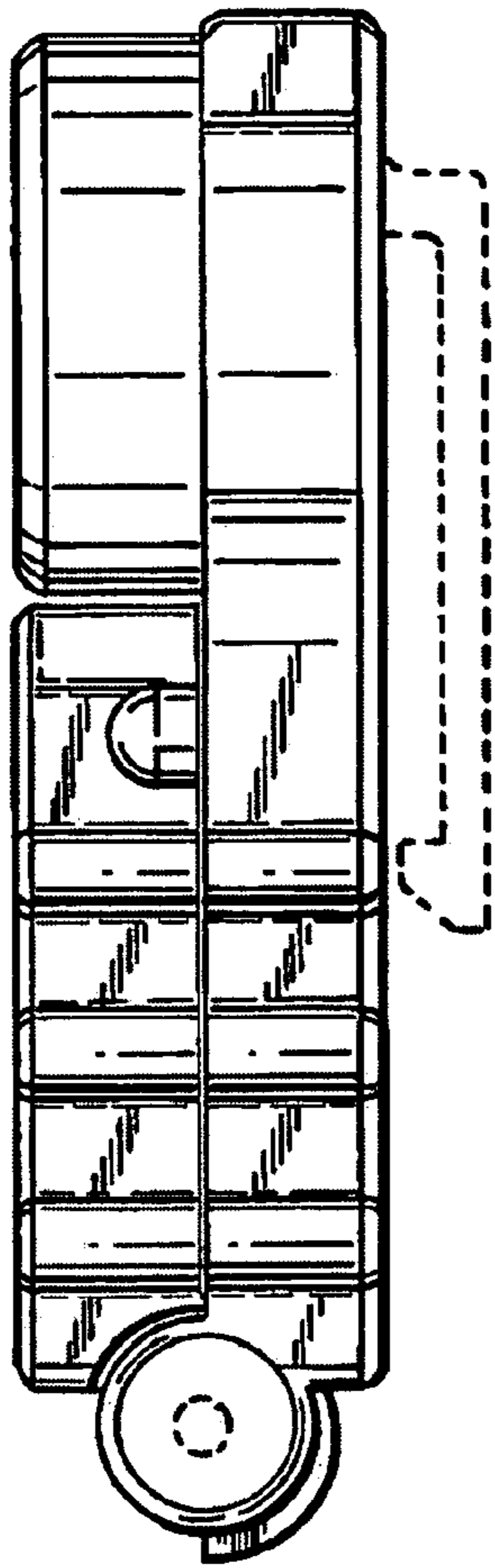
**Fig. 6**



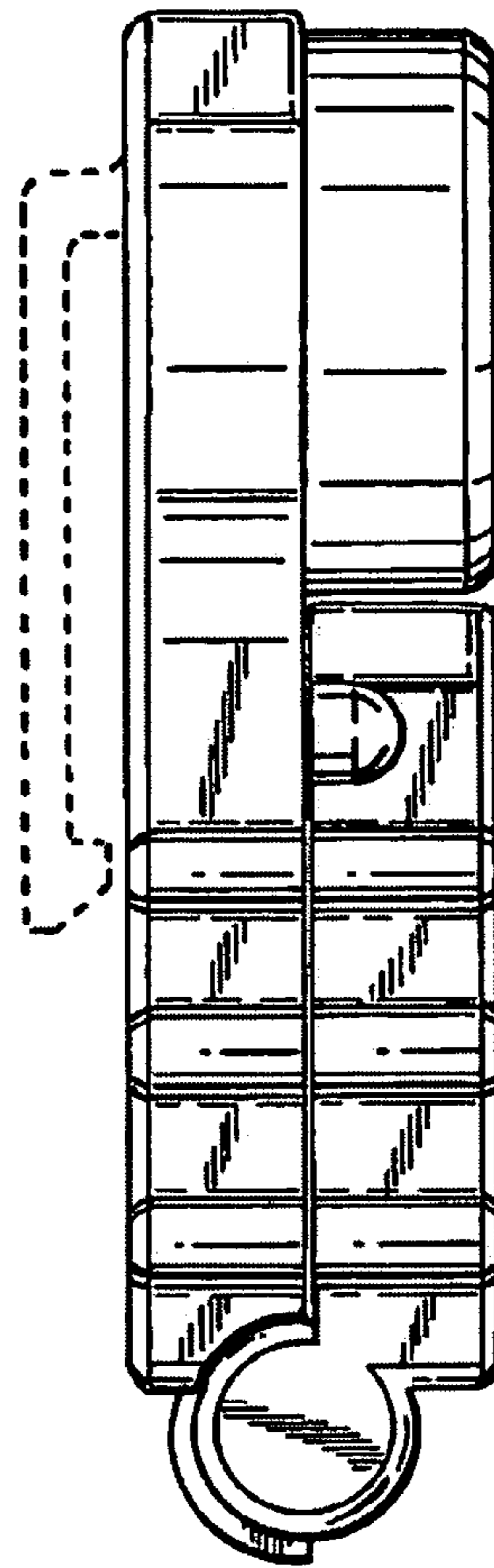
**Fig. 7**



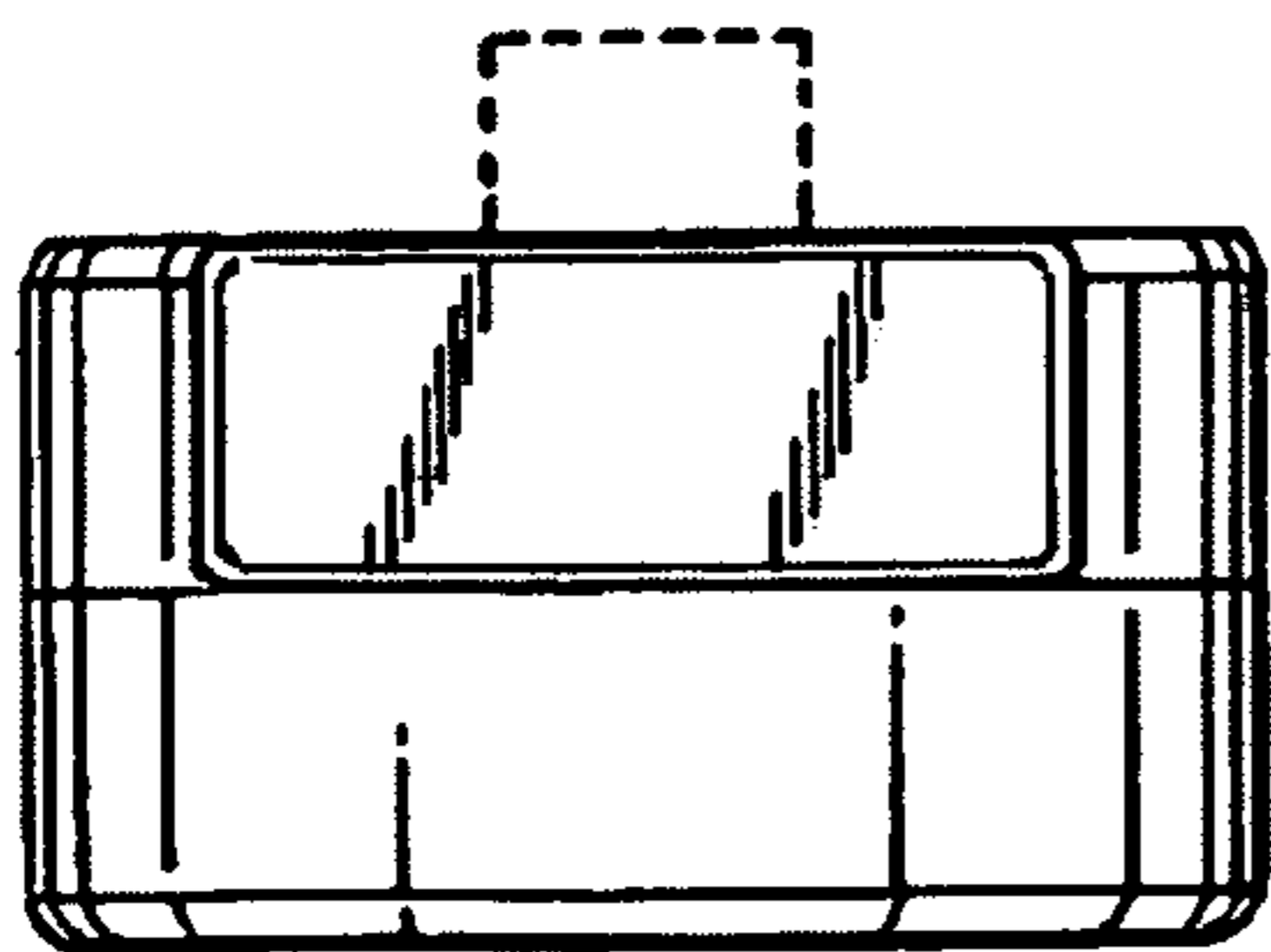
**Fig. 8**



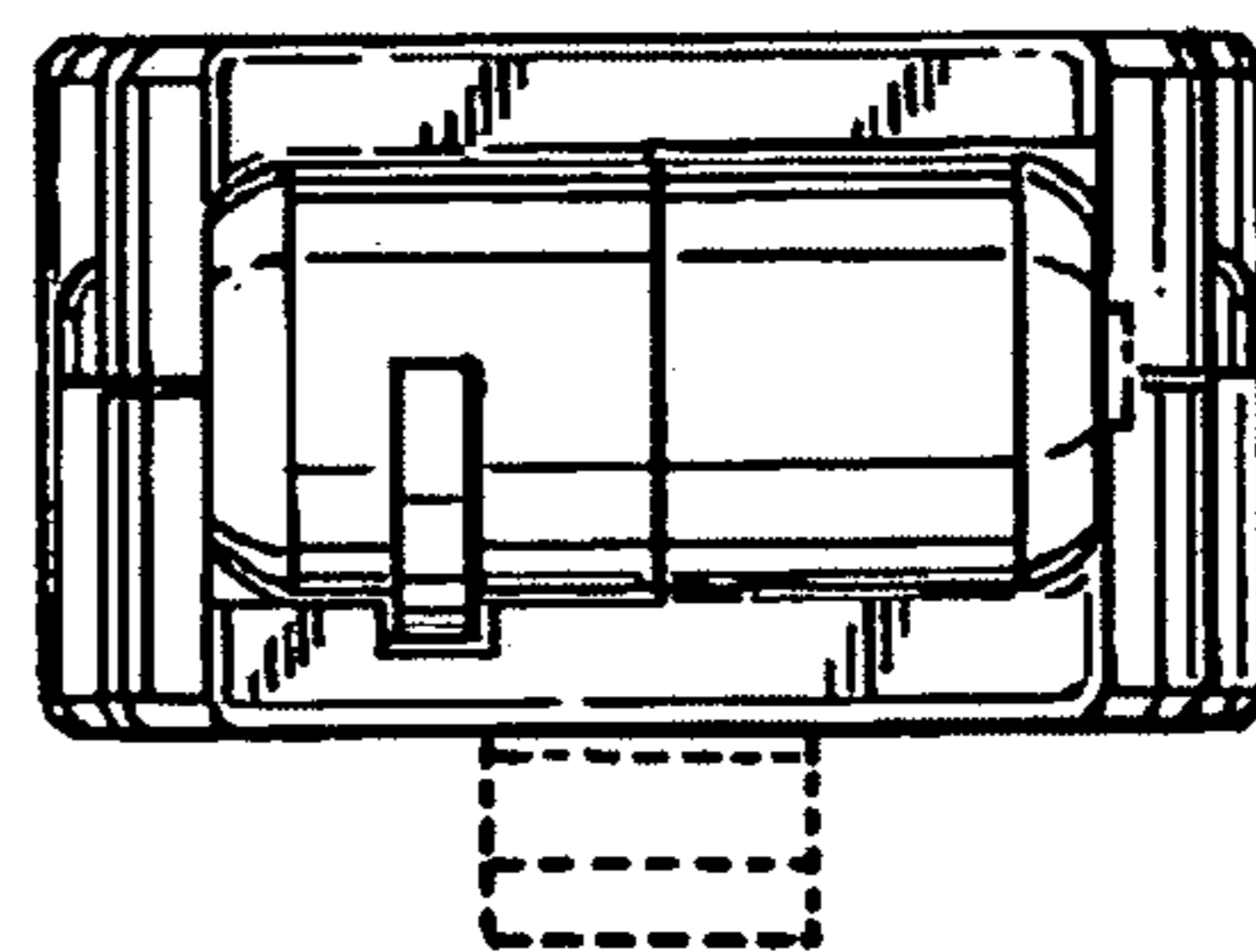
**Fig. 9**



**Fig. 11**



**Fig. 10**



**Fig. 12**