



US00D612816S

(12) **United States Design Patent**  
**Asada**

(10) **Patent No.:** **US D612,816 S**  
(45) **Date of Patent:** **\*\* Mar. 30, 2010**

(54) **SWITCH**  
(75) Inventor: **Makoto Asada, Yao (JP)**  
(73) Assignee: **Hosiden Corporation, Osaka (JP)**  
(\*\*) Term: **14 Years**

*Primary Examiner*—Daniel D Bui  
*Assistant Examiner*—Thomas J Johannes  
(74) *Attorney, Agent, or Firm*—The Webb Law Firm

(21) Appl. No.: **29/336,741**  
(22) Filed: **May 8, 2009**

(57) **CLAIM**

The ornamental design for a switch, as shown and described.

(30) **Foreign Application Priority Data**  
Nov. 11, 2008 (JP) ..... 2008-028876  
(51) **LOC (9) Cl.** ..... **13-03**  
(52) **U.S. Cl.** ..... **D13/174; D13/158**  
(58) **Field of Classification Search** ..... D13/158,  
D13/169, 170, 171, 174, 184, 199; 200/1 B,  
200/5 A, 6 R, 293, 297, 314, 315, 341, 344,  
200/406, 513, 520, 523, 530  
See application file for complete search history.

**DESCRIPTION**

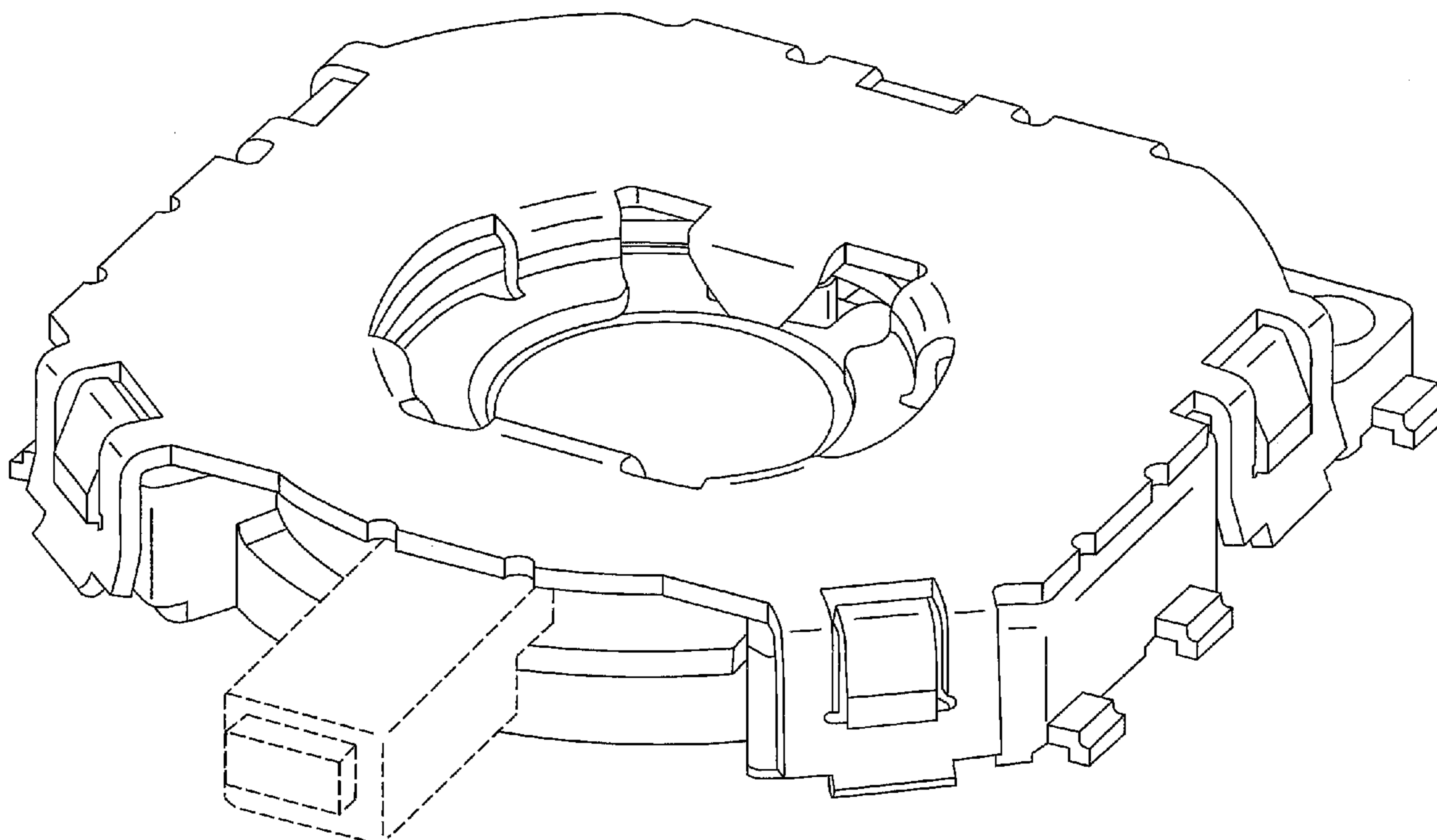
FIG. 1 is a front side view of a switch showing my new design;  
FIG. 2 is a rear side view thereof;  
FIG. 3 is a left side view thereof;  
FIG. 4 is a right side view thereof;  
FIG. 5 is a top plan view thereof; the bottom plan view is a  
mirror image thereto;  
FIG. 6 is a front left perspective view thereof; and,  
FIG. 7 is an enlarged sectional view thereof taken along line  
7—7 of FIG. 1.

The broken line in FIGS. 1 through 7 show unclaimed subject  
matter and unclaimed environmental detail and therefore  
forms no part of the claimed design.

(56) **References Cited**  
**U.S. PATENT DOCUMENTS**  
D568,256 S 5/2008 Asada  
D582,356 S \* 12/2008 Yamanaka ..... D13/169

\* cited by examiner

**1 Claim, 7 Drawing Sheets**



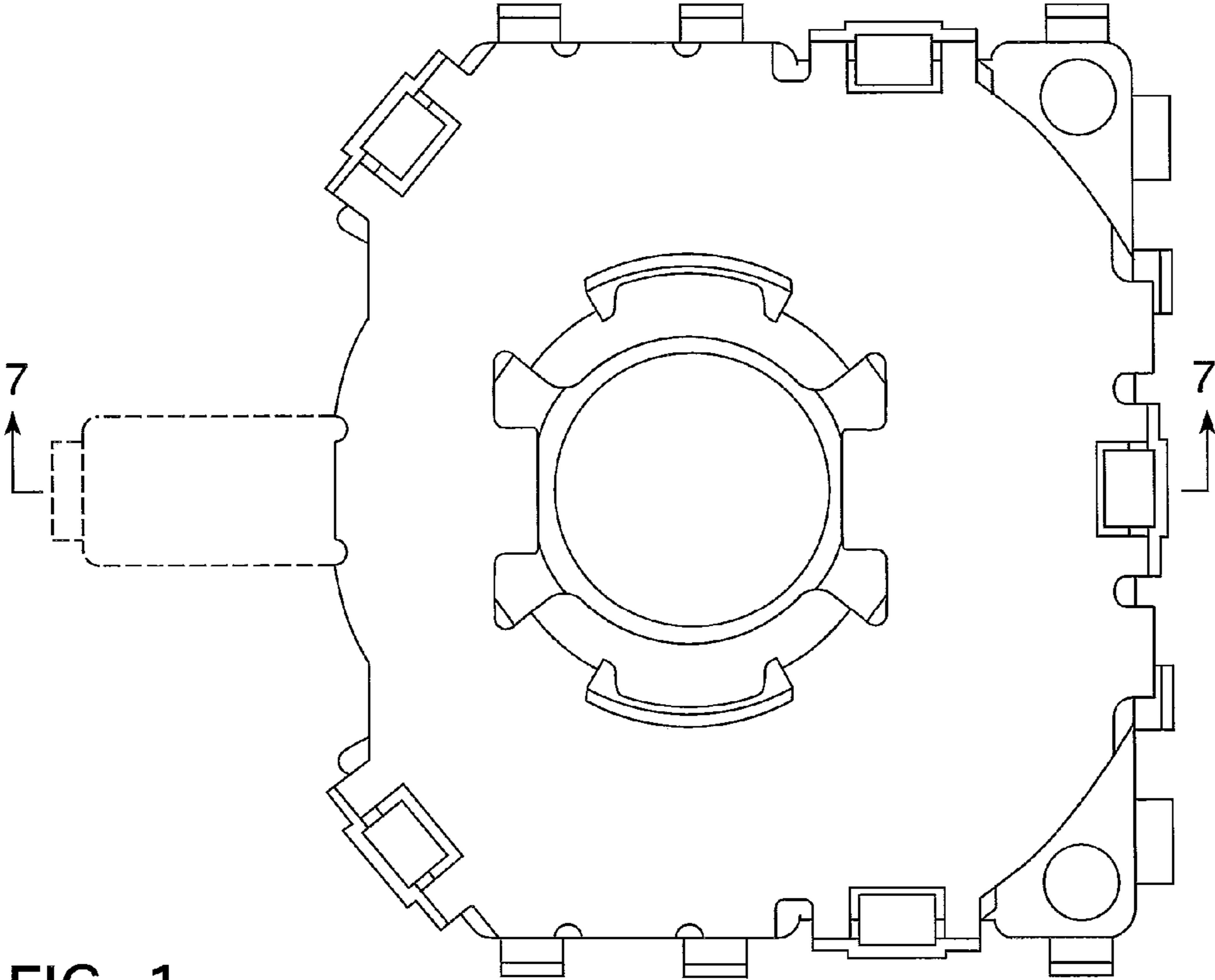


FIG. 1

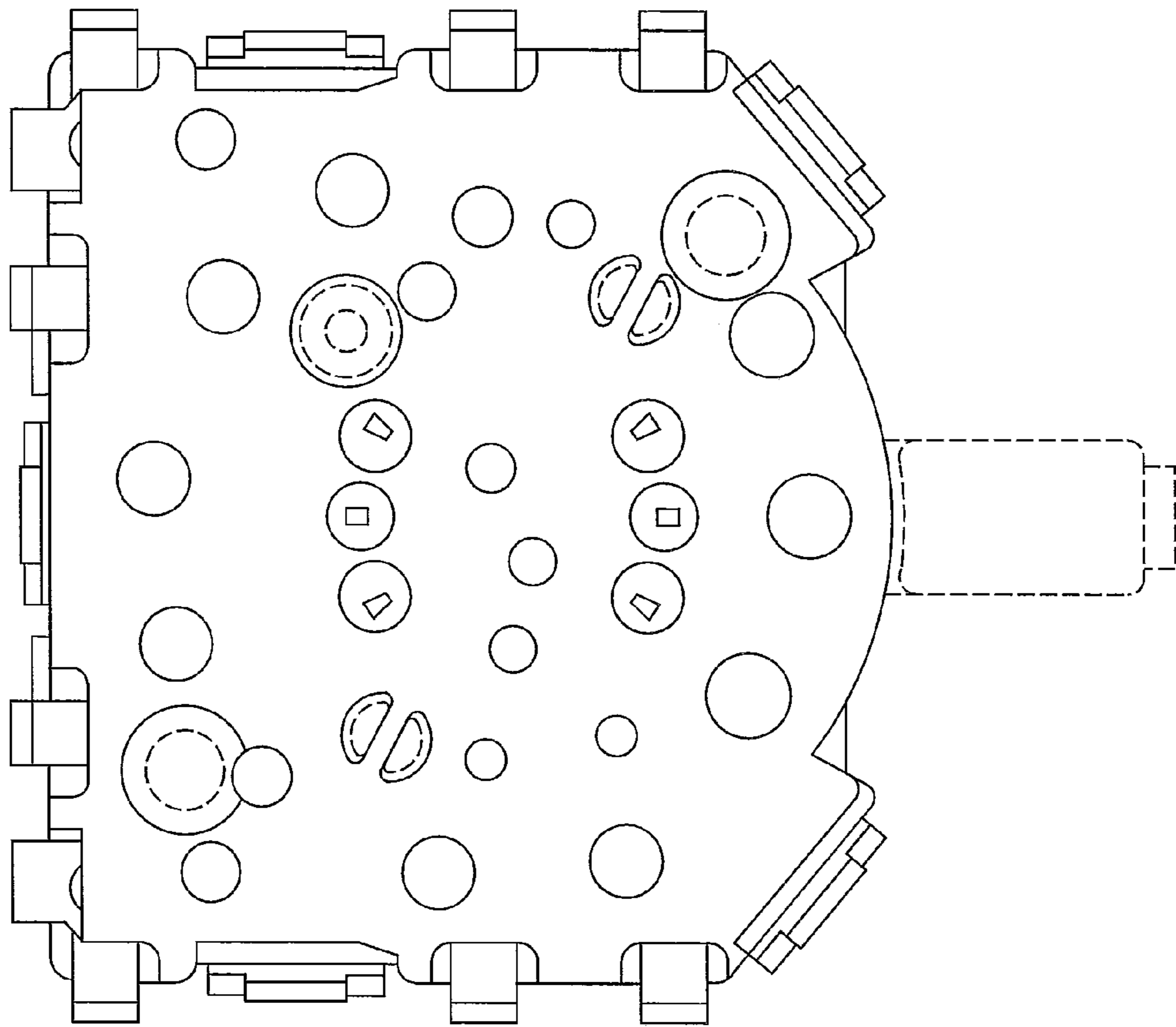


FIG. 2

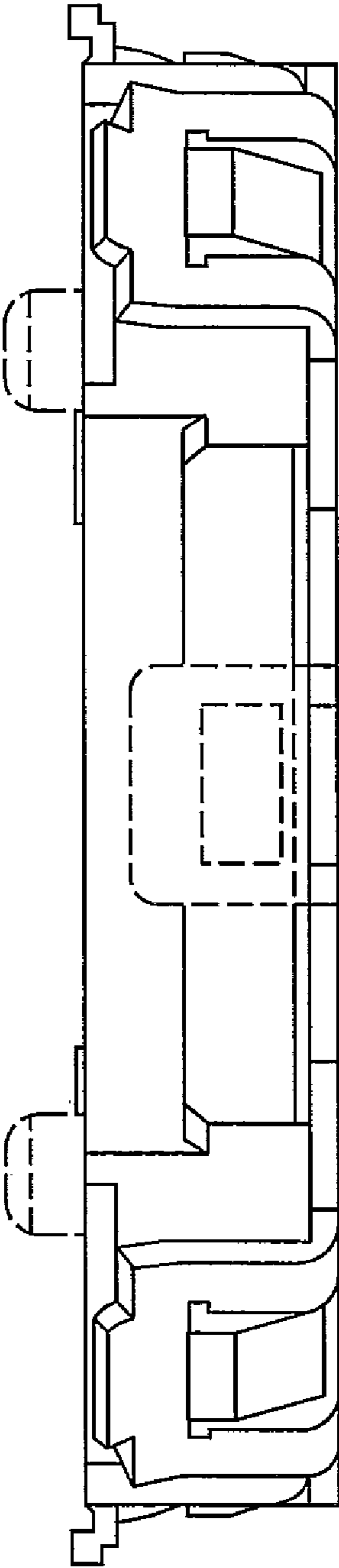


FIG. 3

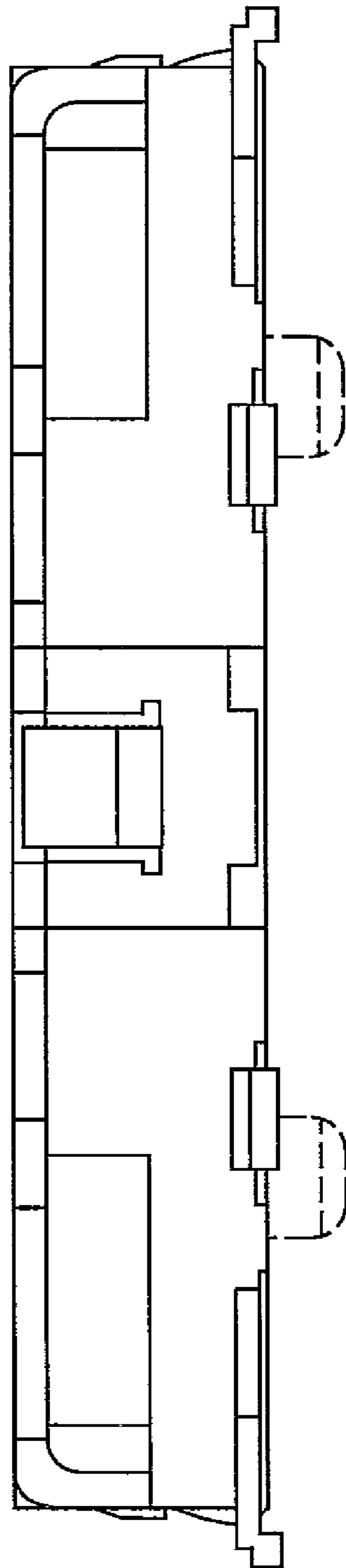


FIG. 4

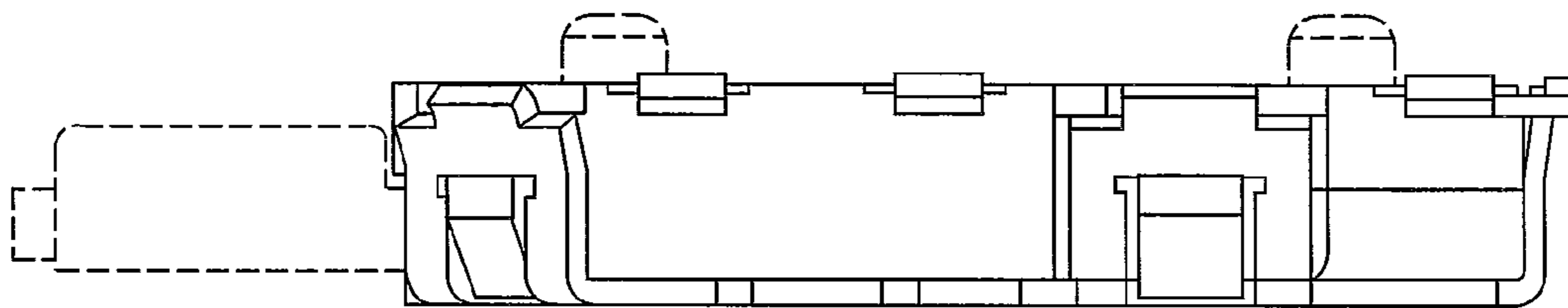


FIG. 5

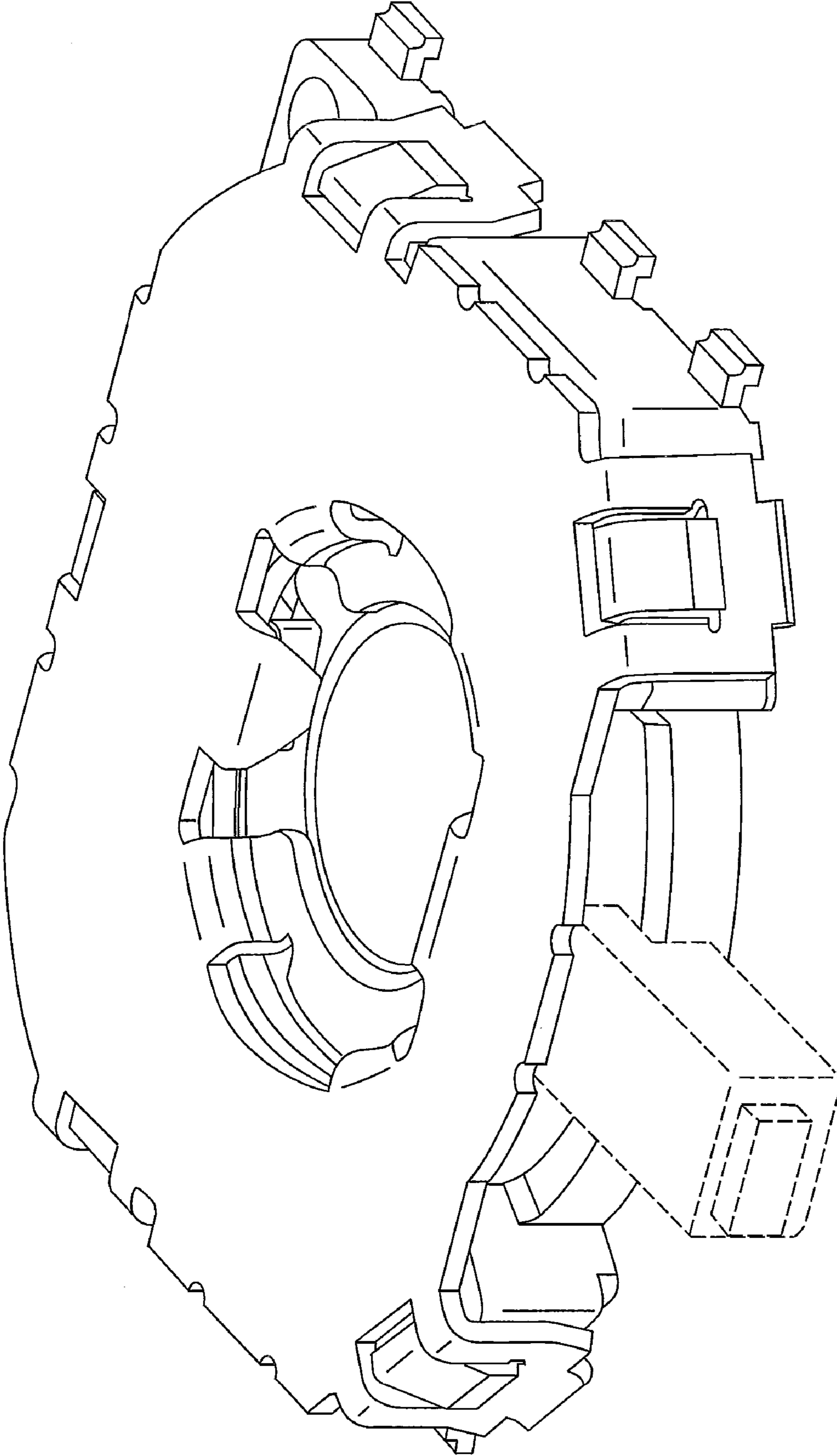


FIG. 6

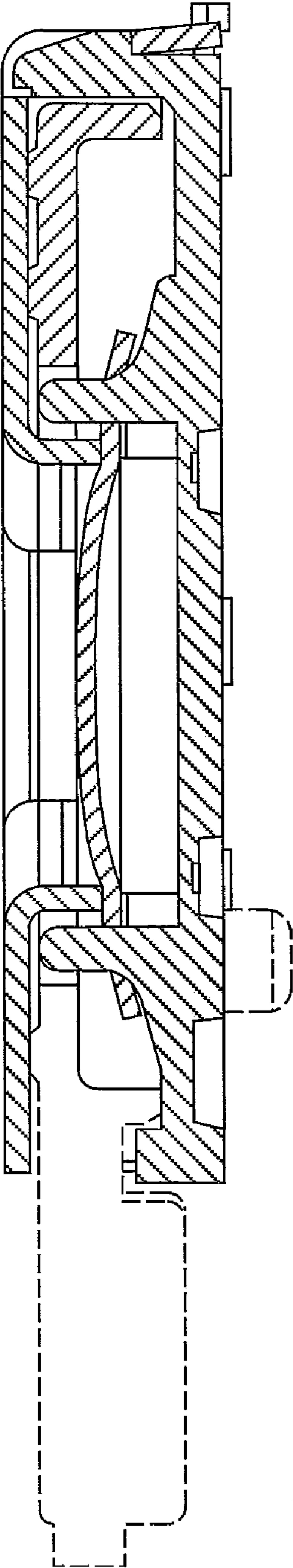


FIG. 7