



US00D612815S

(12) **United States Design Patent**
Desorbo

(10) **Patent No.:** **US D612,815 S**
(45) **Date of Patent:** **** Mar. 30, 2010**

(54) **ELECTRONIC DEVICE MOUNTING PLATE**

(75) Inventor: **Alexander P. Desorbo**, Woodbury, CT (US)

(73) Assignee: **Anton/Bauer, Inc.**, Shelton, CT (US)

(**) Term: **14 Years**

(21) Appl. No.: **29/318,160**

(22) Filed: **May 14, 2008**

(51) **LOC (9) Cl.** **13-03**

(52) **U.S. Cl.** **D13/173**

(58) **Field of Classification Search** D13/133,
D13/154, 158, 165, 171, 173, 177, 184, 199;
D26/140; D8/373; D14/239; 348/183, 375;
358/224, 229, 254, 248, 249; 354/81; 248/179,
248/183, 187

See application file for complete search history.

(56) **References Cited**

U.S. PATENT DOCUMENTS

D312,617 S *	12/1990	Makita et al.	D13/154
5,119,203 A *	6/1992	Hosaka et al.	348/375
5,465,117 A	11/1995	Ide et al.		
6,779,932 B2 *	8/2004	DeSorbo et al.	396/419
D559,796 S *	1/2008	DeSorbo	D13/173
7,440,026 B2 *	10/2008	Sousa	348/375
2005/0122424 A1	6/2005	Overstreet		

OTHER PUBLICATIONS

The American Heritage College Dictionary, 4th Edition, 2004, p. 1162.

* cited by examiner

Primary Examiner—Daniel D Bui

Assistant Examiner—Thomas J Johannes

(74) *Attorney, Agent, or Firm*—McCormick, Paulding & Huber LLP

(57) **CLAIM**

The ornamental design for an electronic device mounting plate, as shown and described.

DESCRIPTION

FIG. 1 is a perspective view of an electronic device mounting plate, showing my new design, deployed in a typical usage environment;

FIG. 2 is an upper view thereof, showing the electronic device mounting plate only;

FIG. 3 is a lower view thereof;

FIG. 4 is a back view thereof;

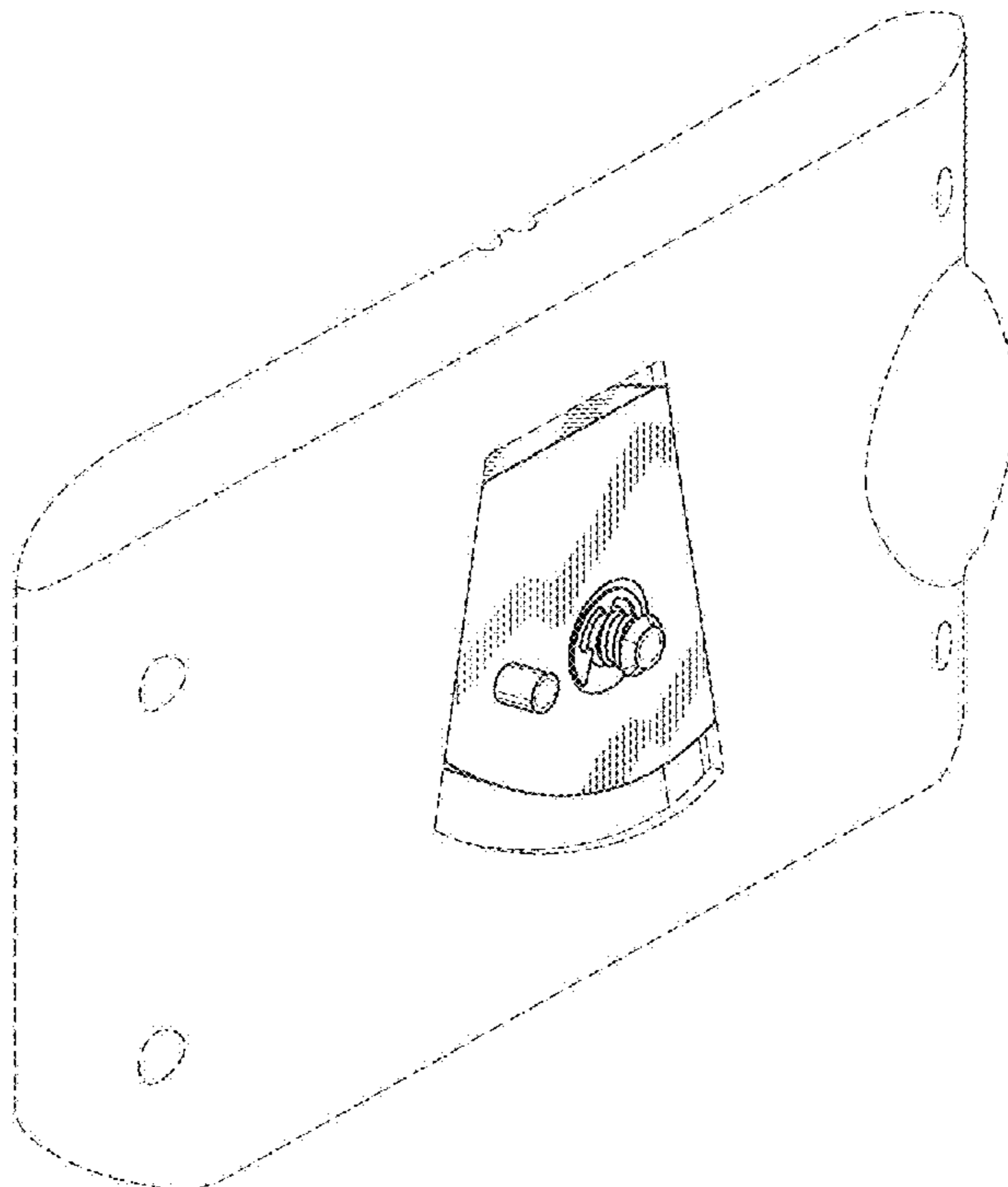
FIG. 5 is a front thereof;

FIG. 6 is a side view thereof; and,

FIG. 7 is an opposite side view thereof.

The broken lines in FIG. 1 show unclaimed environmental detail and in FIG. 3 show unclaimed subject matter only and form no part of the claimed design.

1 Claim, 2 Drawing Sheets



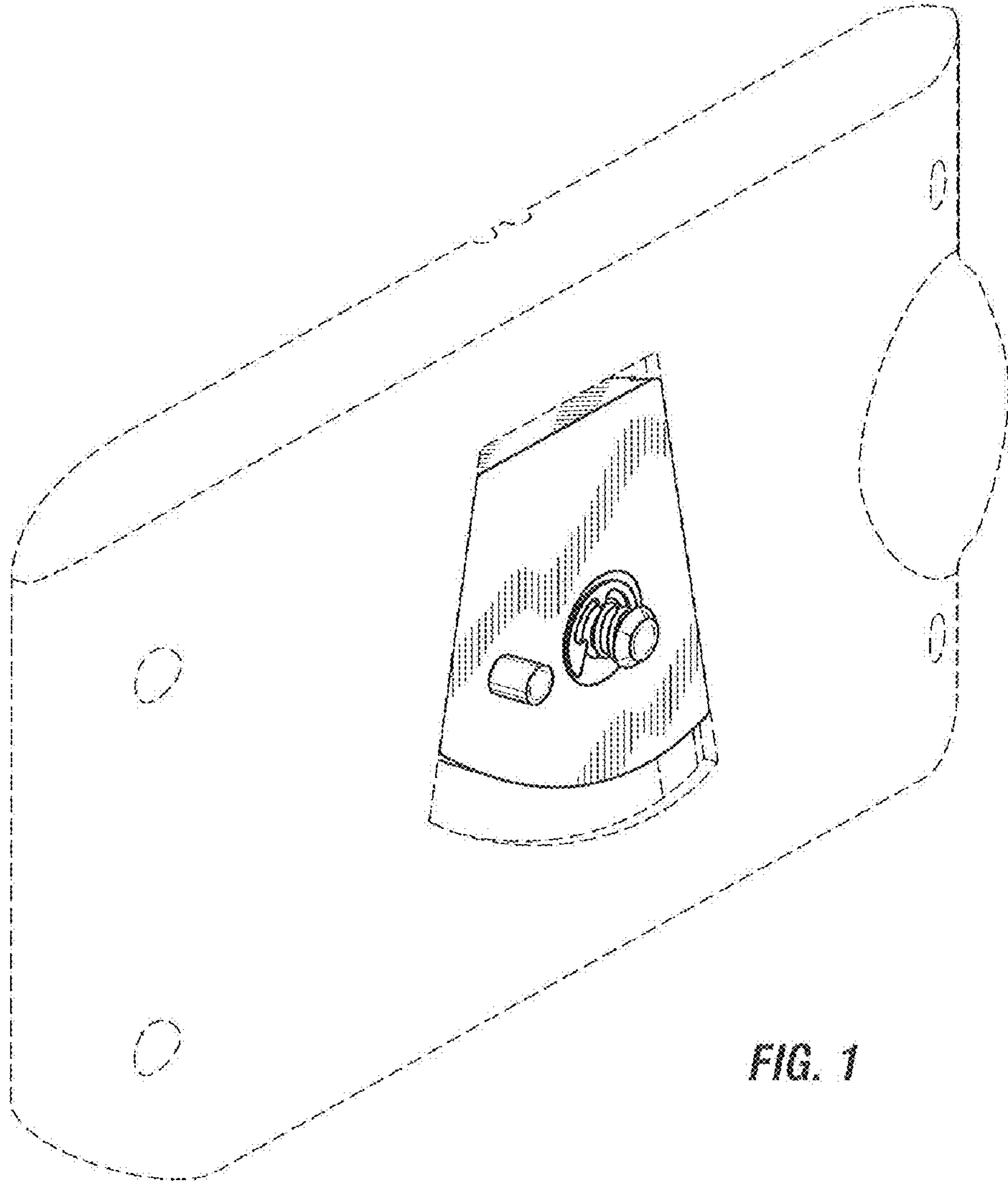


FIG. 1

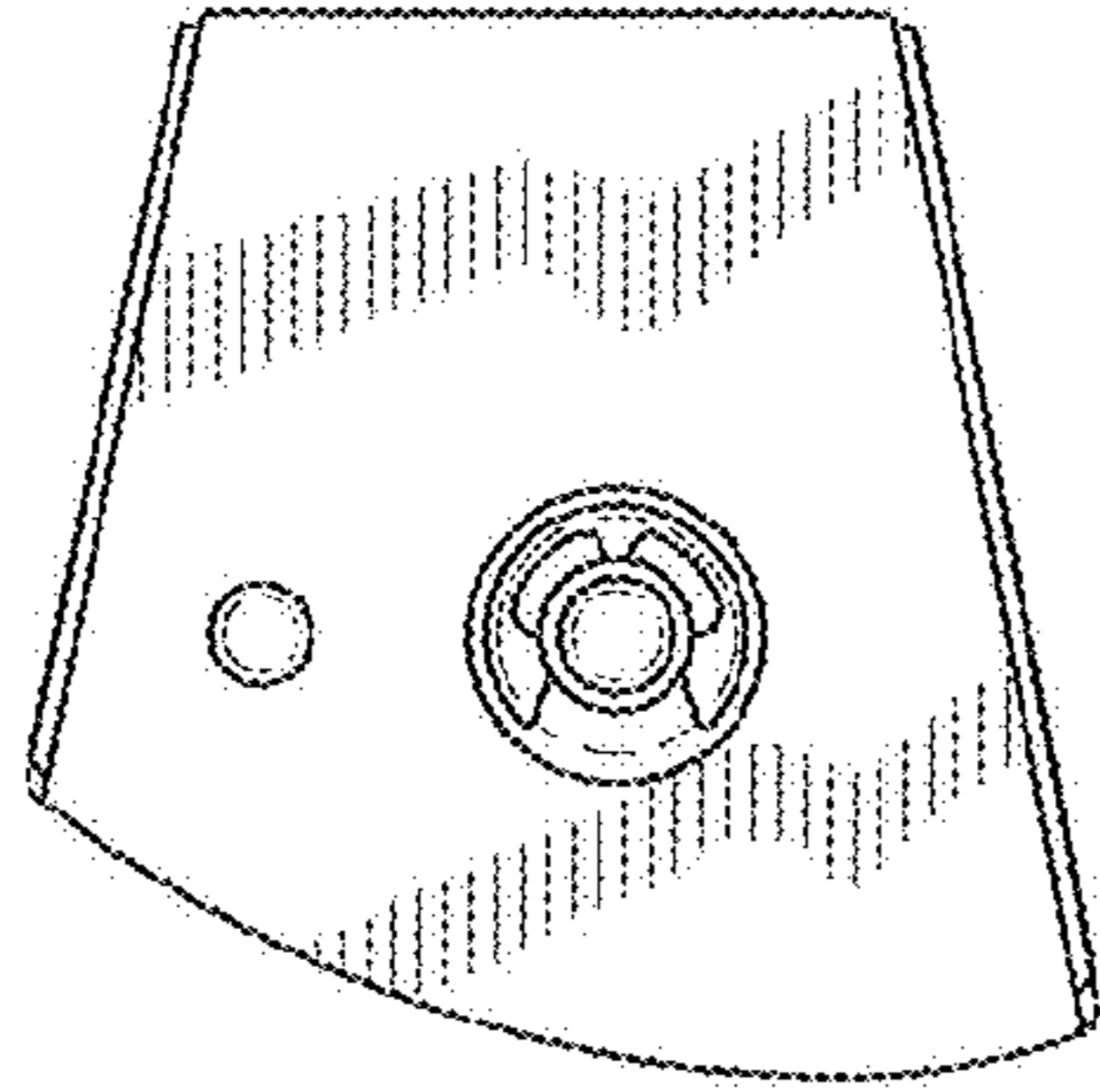


FIG. 2

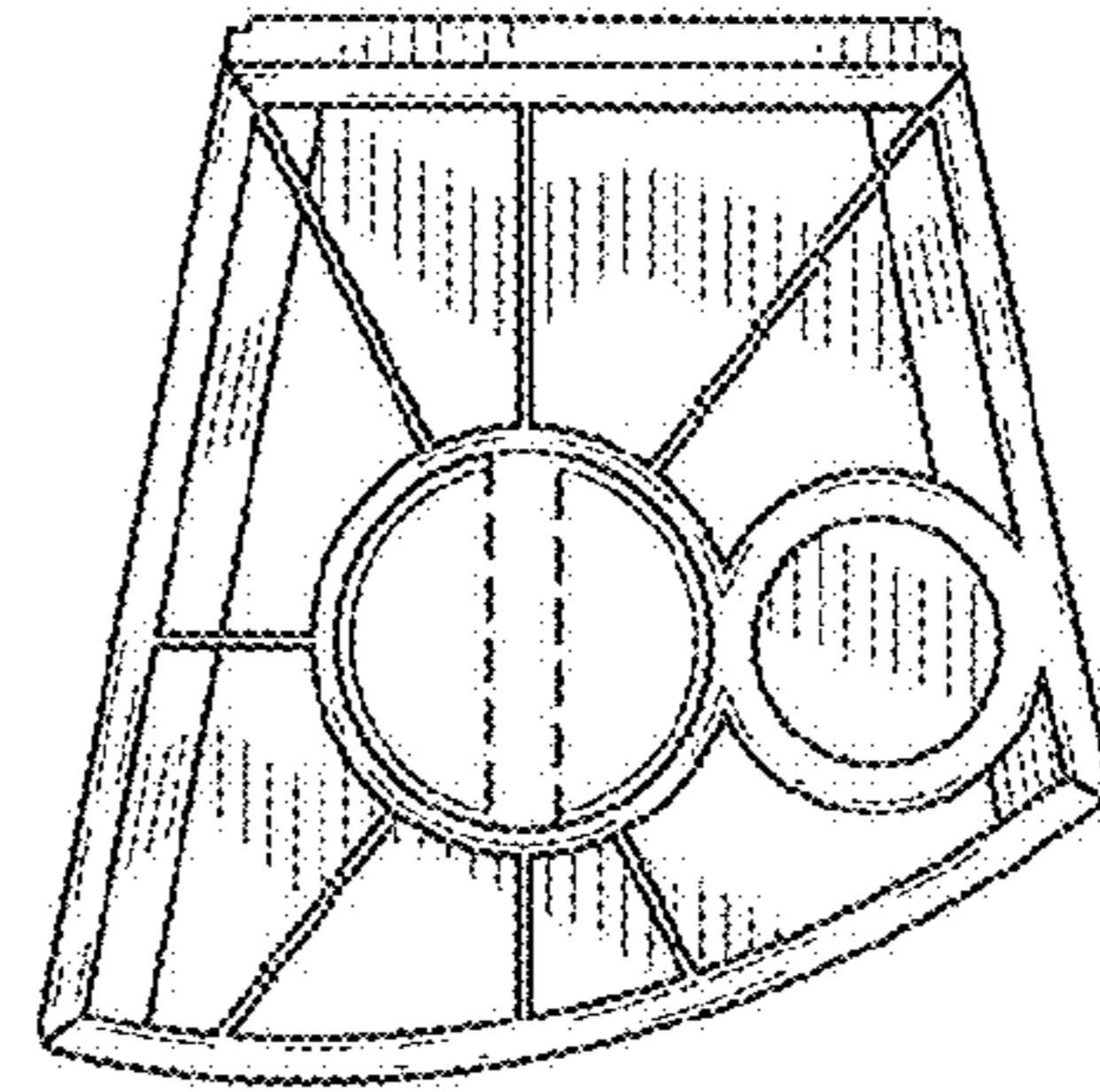


FIG. 3

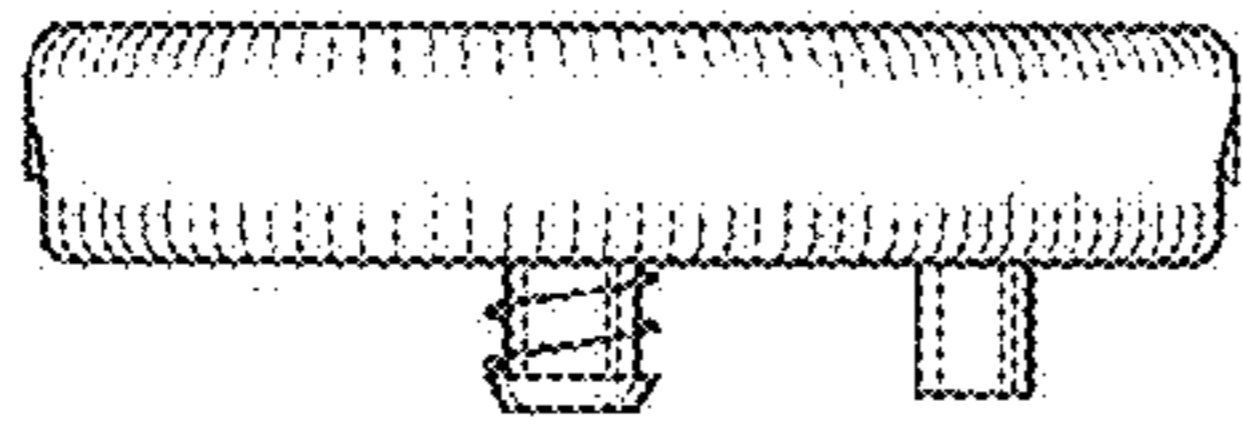


FIG. 4



FIG. 5

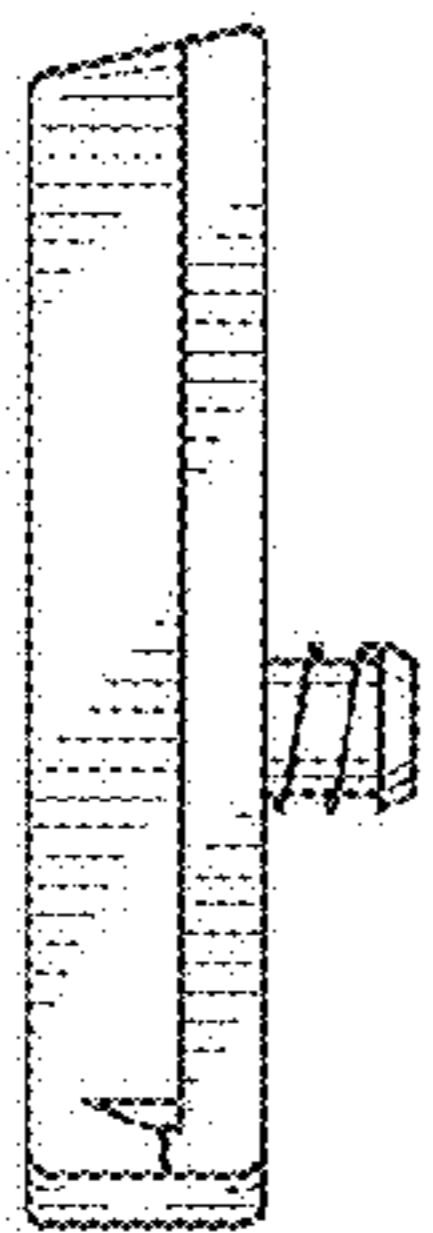


FIG. 6

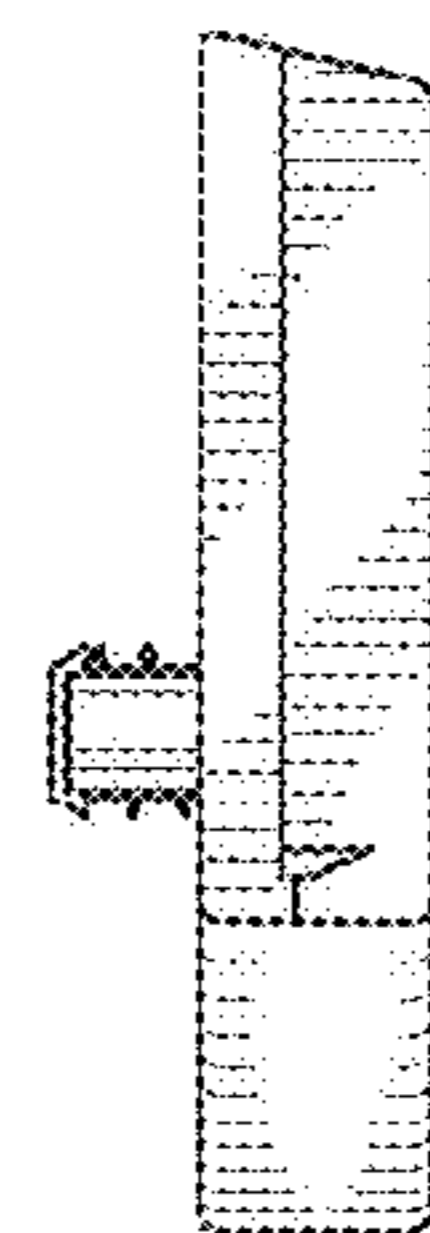


FIG. 7