



US00D612813S

(12) **United States Design Patent**  
**Paul**

(10) **Patent No.:** **US D612,813 S**  
(45) **Date of Patent:** **\*\* Mar. 30, 2010**

(54) **BACK PANEL FOR AN ELECTRONIC IRRIGATION CONTROLLER**

(75) Inventor: **Michael F. Paul**, San Diego, CA (US)

(73) Assignee: **Hunter Industries, Inc.**, San Marcos, CA (US)

(\*\*) Term: **14 Years**

(21) Appl. No.: **29/343,382**

(22) Filed: **Sep. 11, 2009**

(51) **LOC (9) Cl.** ..... **13-03**

(52) **U.S. Cl.** ..... **D13/162**

(58) **Field of Classification Search** ..... D13/158,  
D13/162, 162.1, 64, 184, 199; D10/40; D23/235;  
239/63, 69, 70; 700/11, 14-20; 137/1, 377,  
137/565.22, 59, 624.11, 78.3; 174/657; 210/143,  
210/205

See application file for complete search history.

(56) **References Cited**

**U.S. PATENT DOCUMENTS**

6,721,630	B1	4/2004	Woytowitz	.....	700/284
D492,264	S	6/2004	Perez et al.	.....	D13/162
6,842,667	B2	1/2005	Beutler et al.	.....	700/284
D546,772	S	7/2007	Venegas et al.	.....	D13/162
D564,456	S	3/2008	Weiler et al.	.....	D13/162
D580,373	S	11/2008	Stange et al.	.....	D13/162
7,457,687	B1	11/2008	Porter	.....	700/284
D603,348	S *	11/2009	Sacks et al.	.....	D13/162

7,613,546	B2 *	11/2009	Nelson et al.	.....	700/284
2006/0030971	A1 *	2/2006	Nelson et al.	.....	700/284
2008/0058964	A1 *	3/2008	Nickerson et al.	.....	700/19
2008/0071426	A1 *	3/2008	Perez et al.	.....	700/284
2008/0319585	A1 *	12/2008	Nickerson et al.	.....	700/284

\* cited by examiner

*Primary Examiner*—Daniel D Bui

*Assistant Examiner*—Thomas J Johannes

(74) *Attorney, Agent, or Firm*—Michael H. Jester

(57) **CLAIM**

The ornamental design for a back panel for an electronic irrigation controller, as illustrated and described.

**DESCRIPTION**

FIG. 1 is an isometric front view of a back panel for an electronic irrigation controller, showing my new design;

FIG. 2 is a isometric rear view thereof;

FIG. 3 is a front elevation view thereof;

FIG. 4 is a rear elevation view thereof;

FIG. 5 is a right side end elevation view thereof;

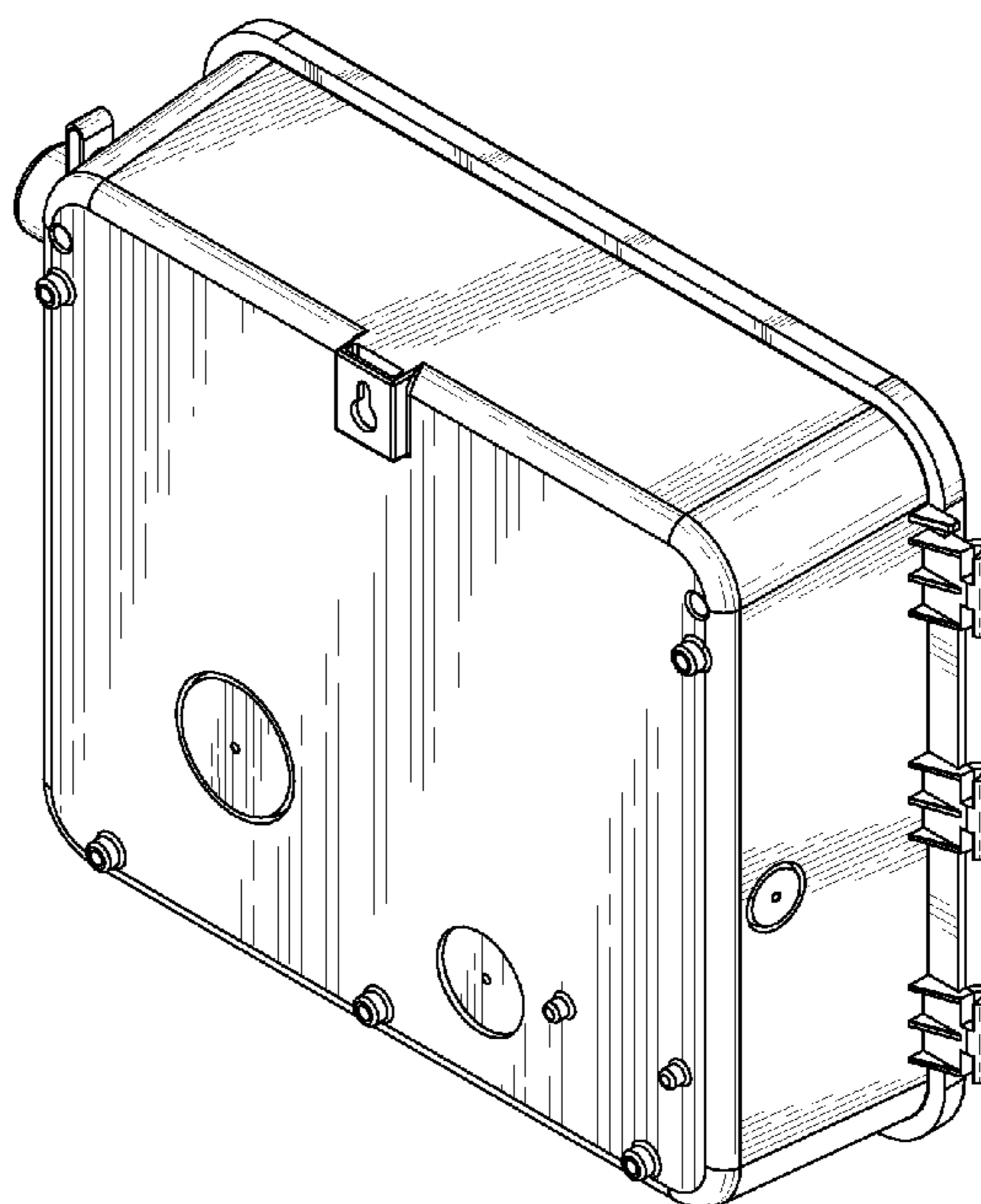
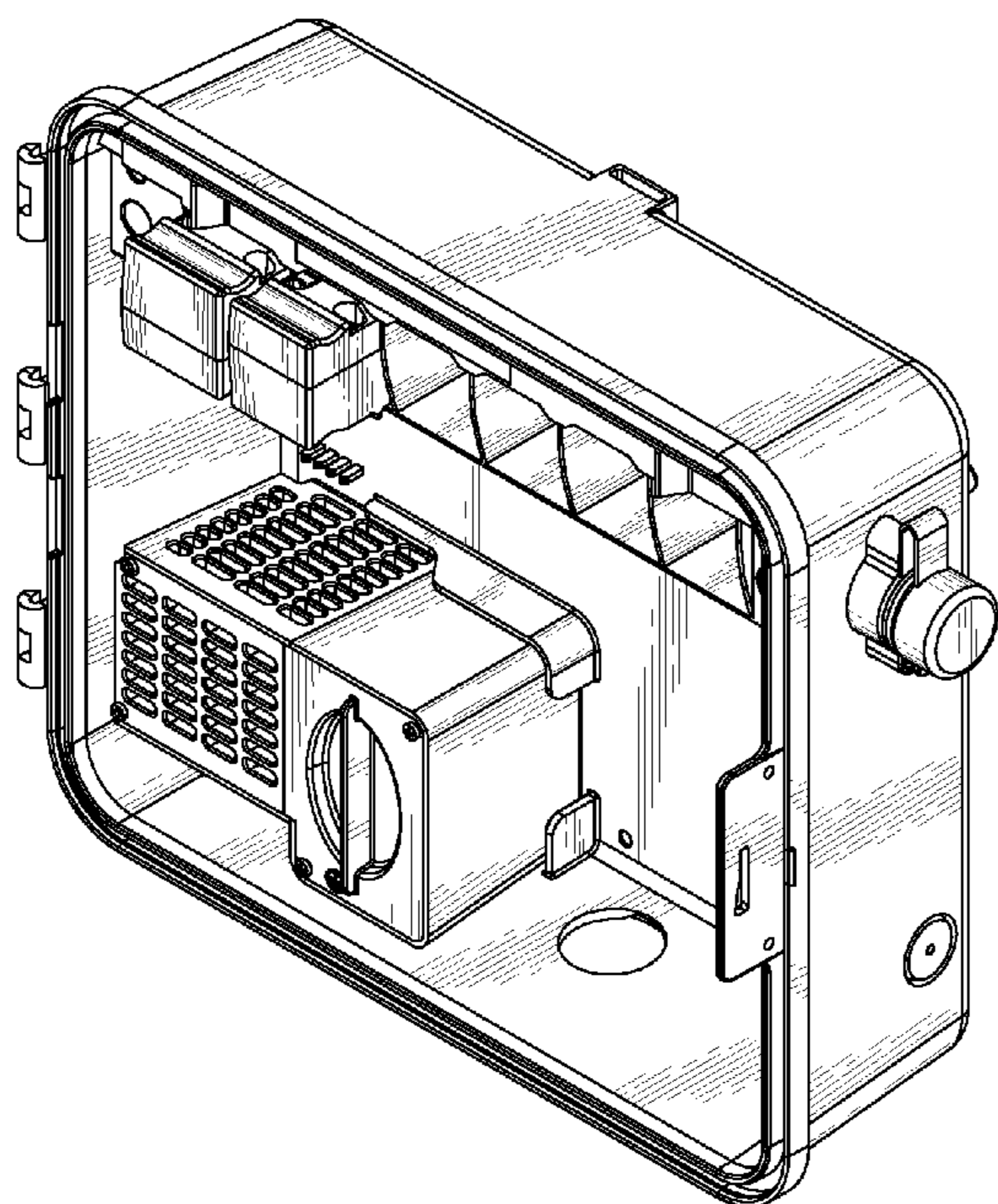
FIG. 6 is a left side end elevation view thereof;

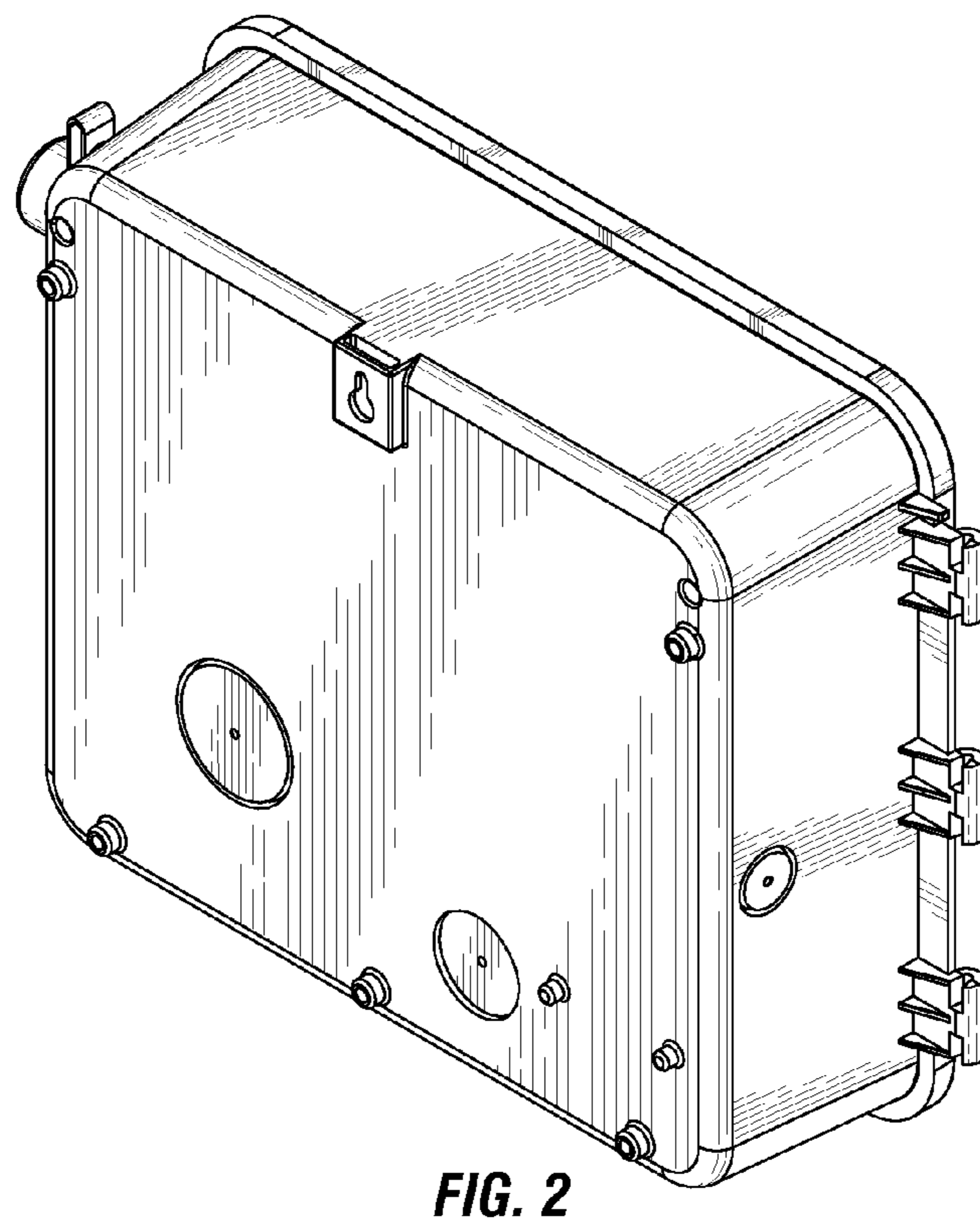
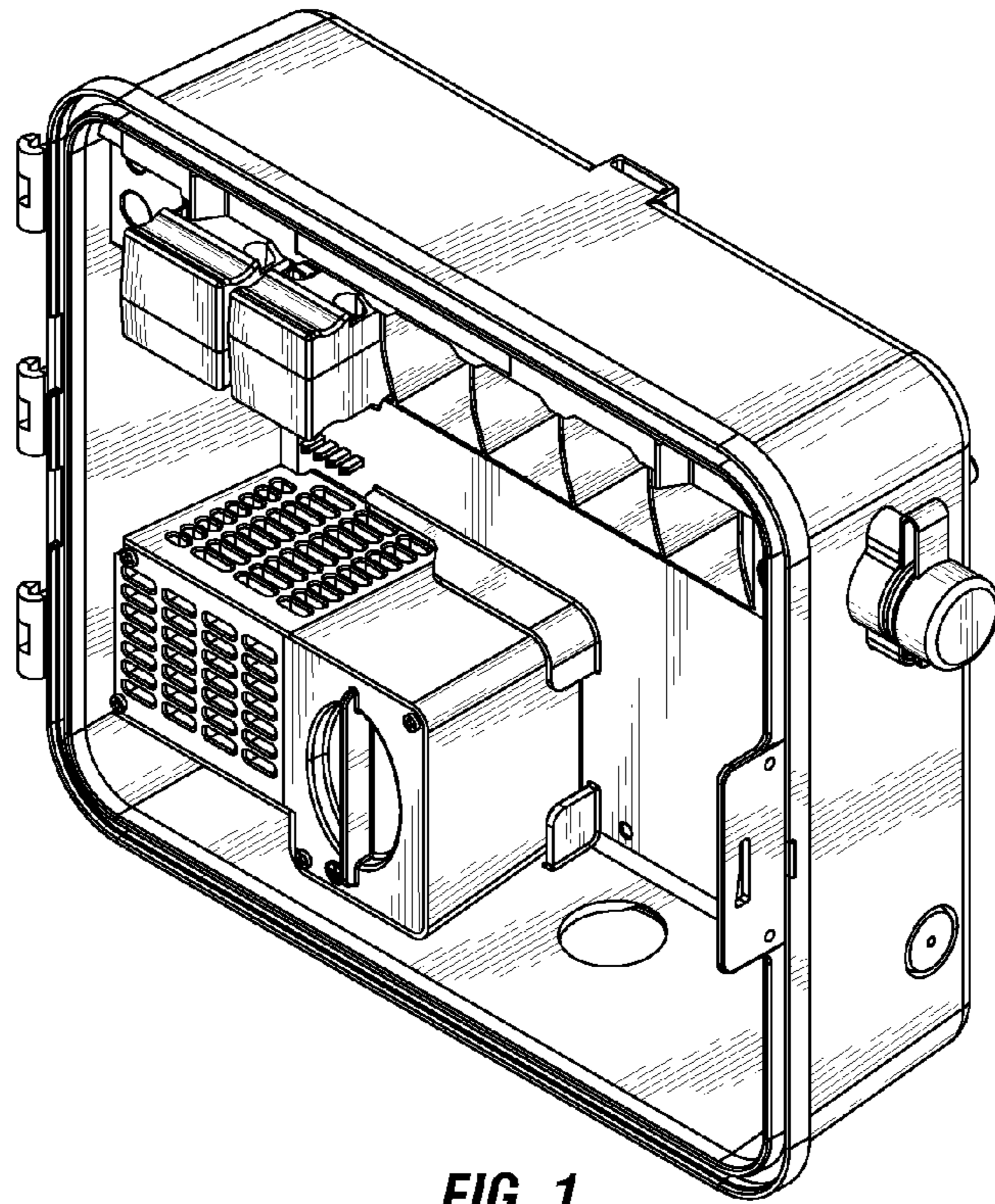
FIG. 7 is a top elevation view thereof; and,

FIG. 8 is a bottom elevation view taken thereof.

The broken line portion of the figure drawings is included to show unclaimed subject matter only and forms no part of the claimed design.

**1 Claim, 3 Drawing Sheets**







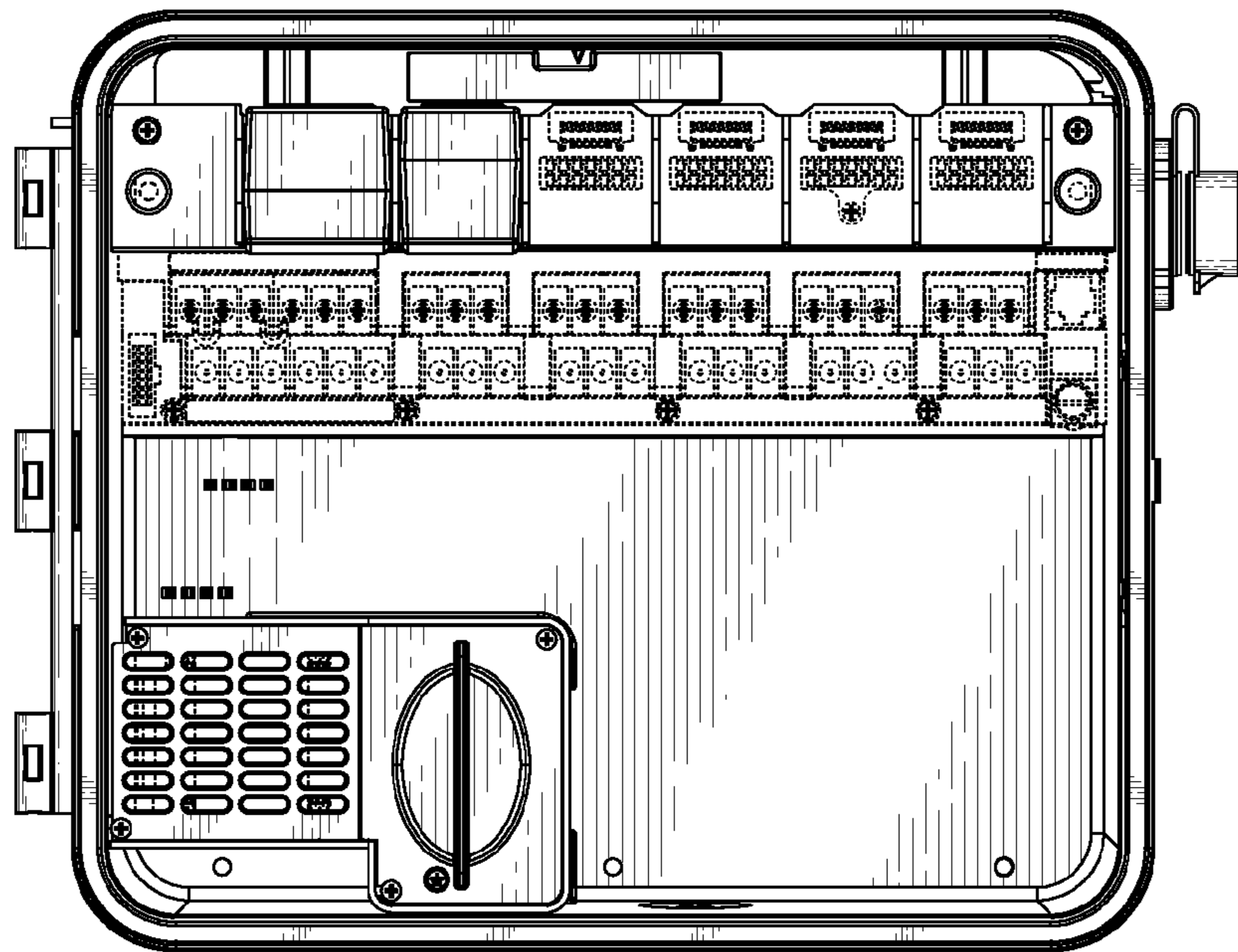


FIG. 3

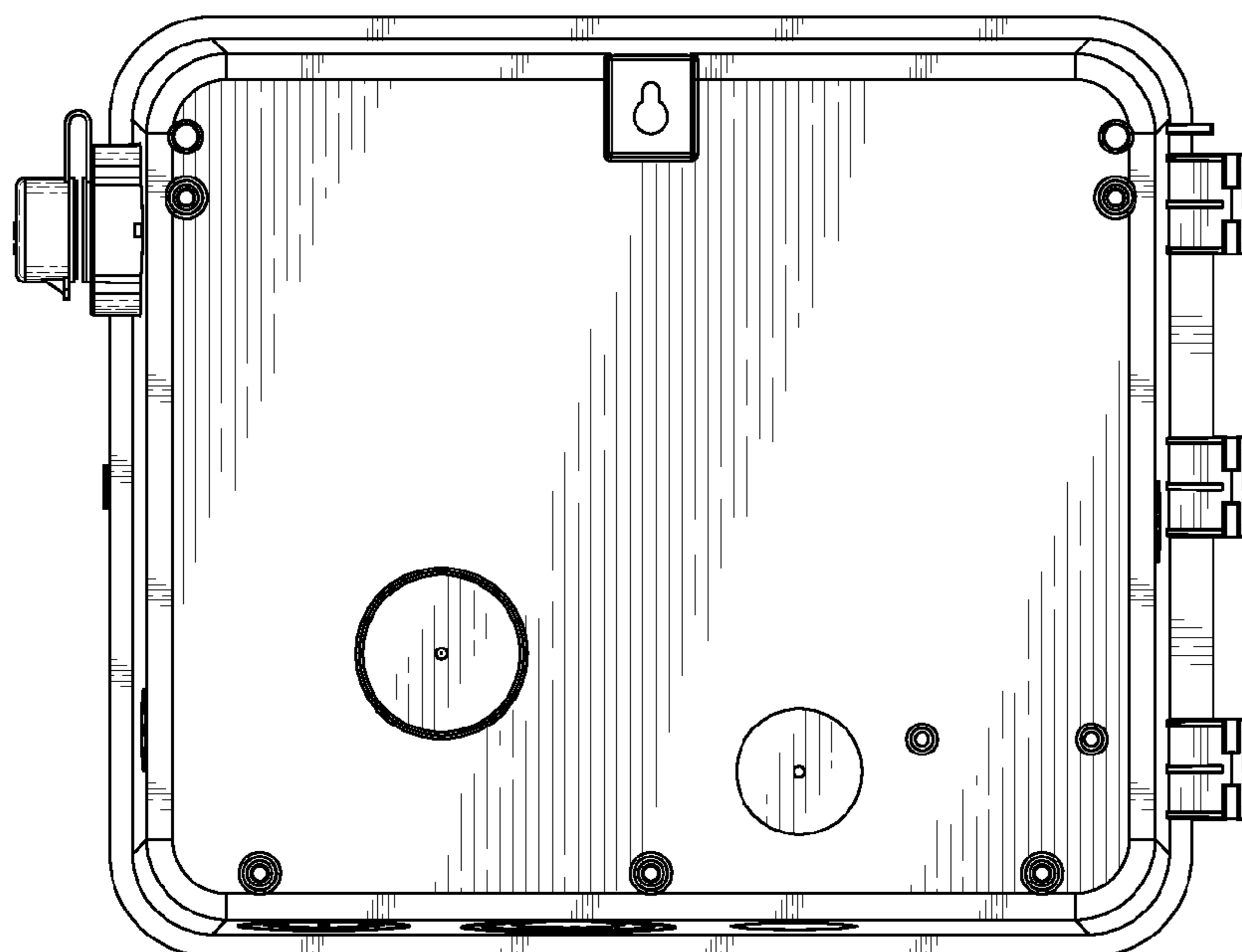
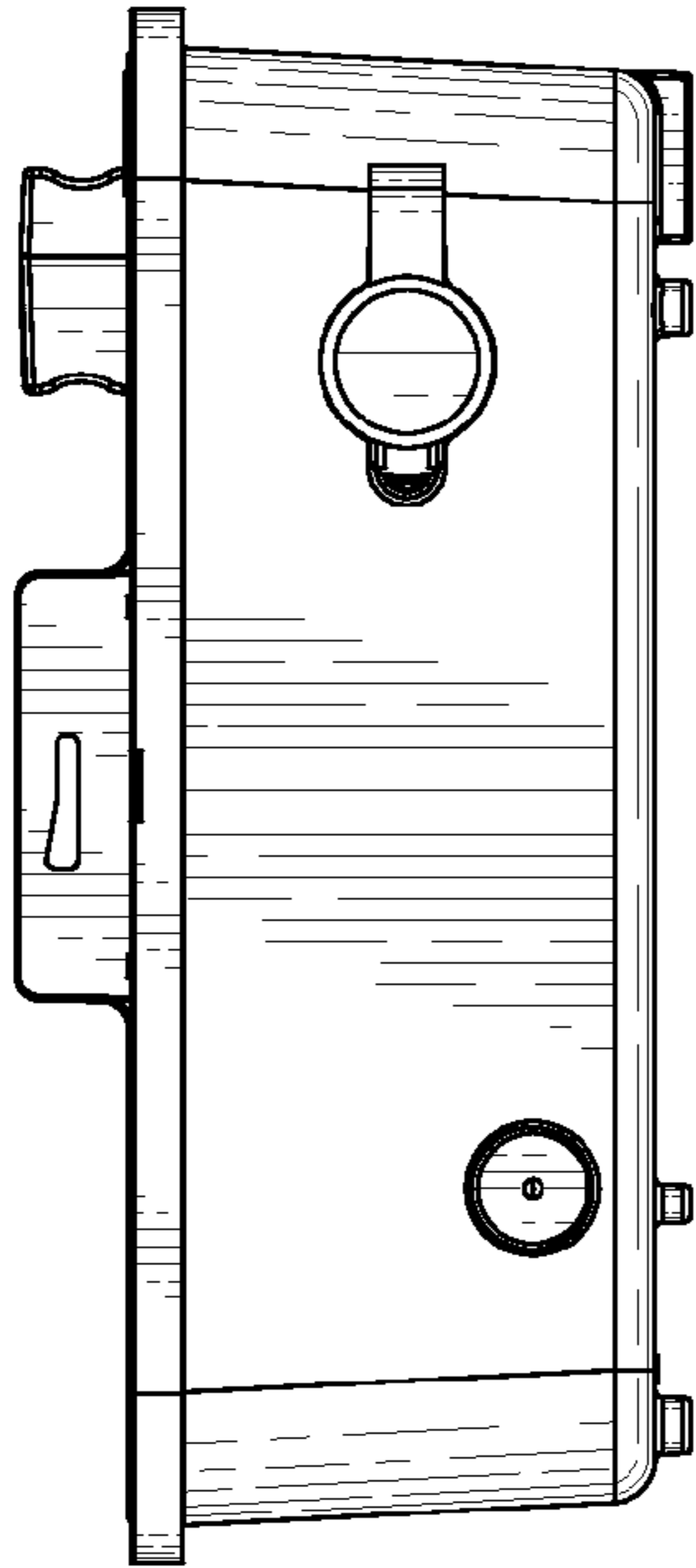
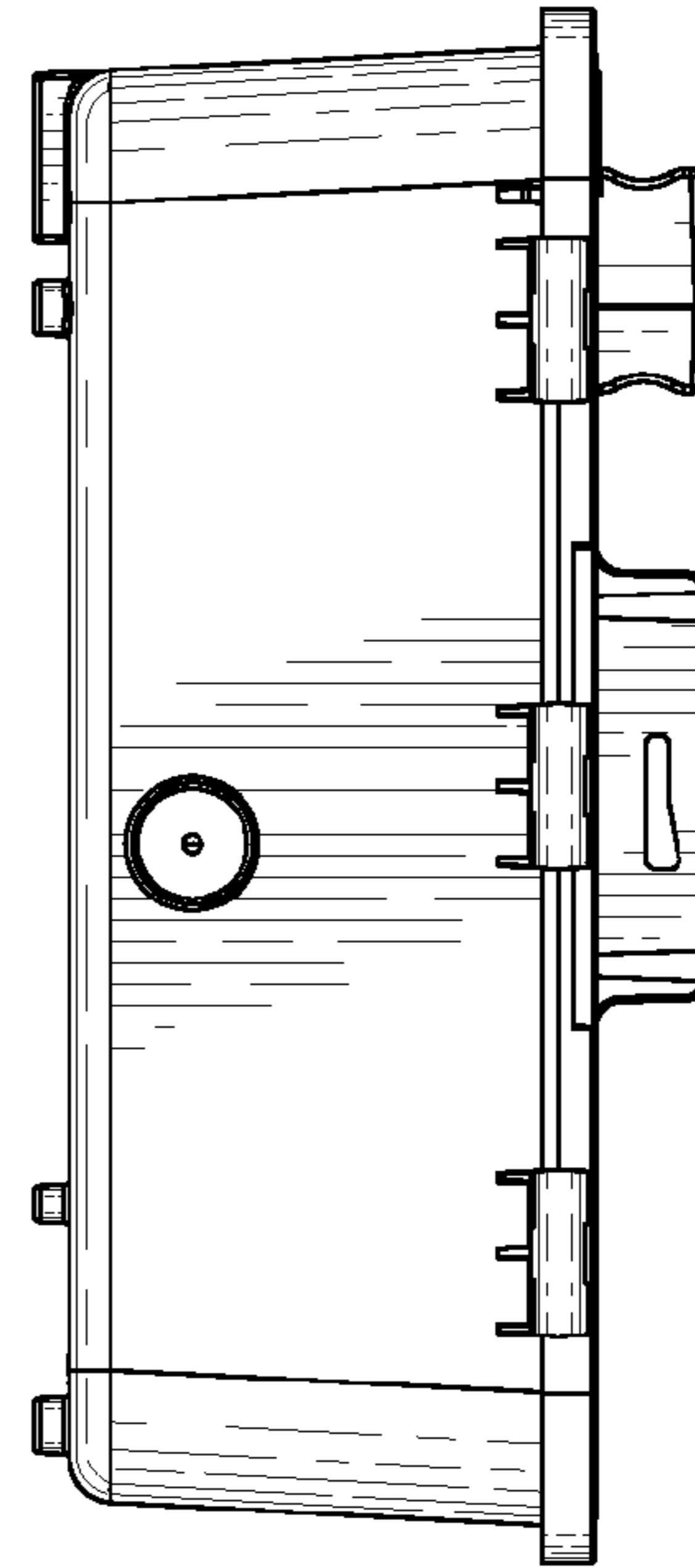


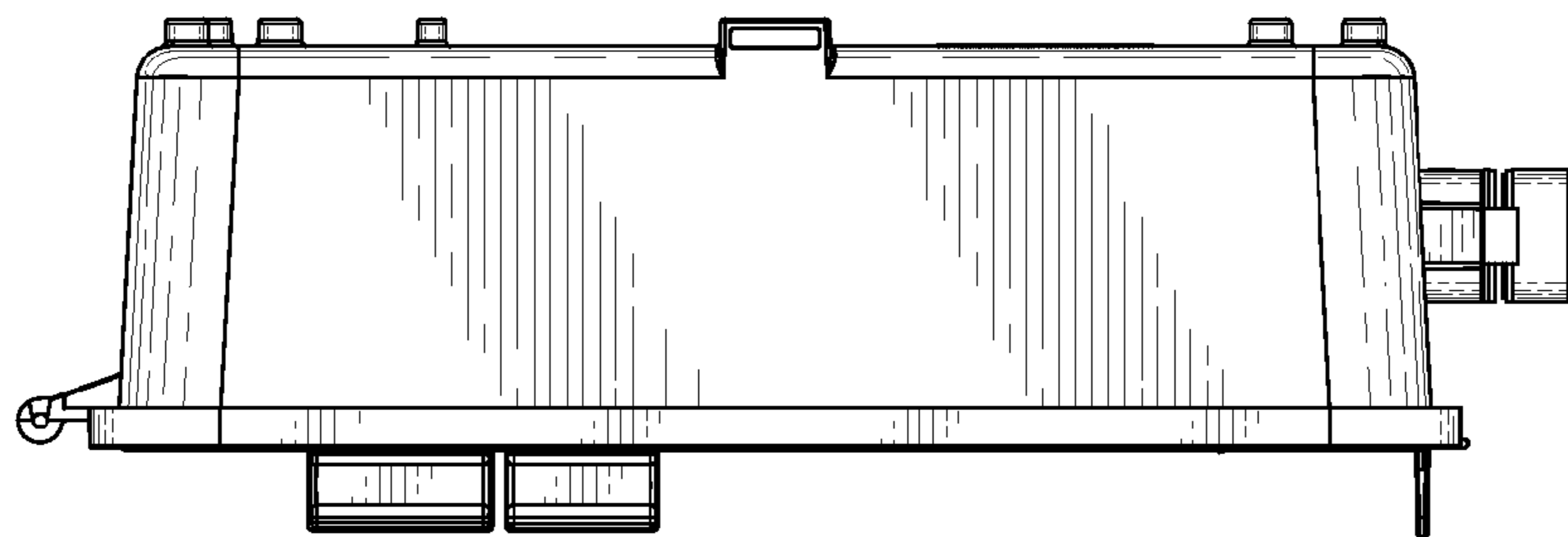
FIG. 4



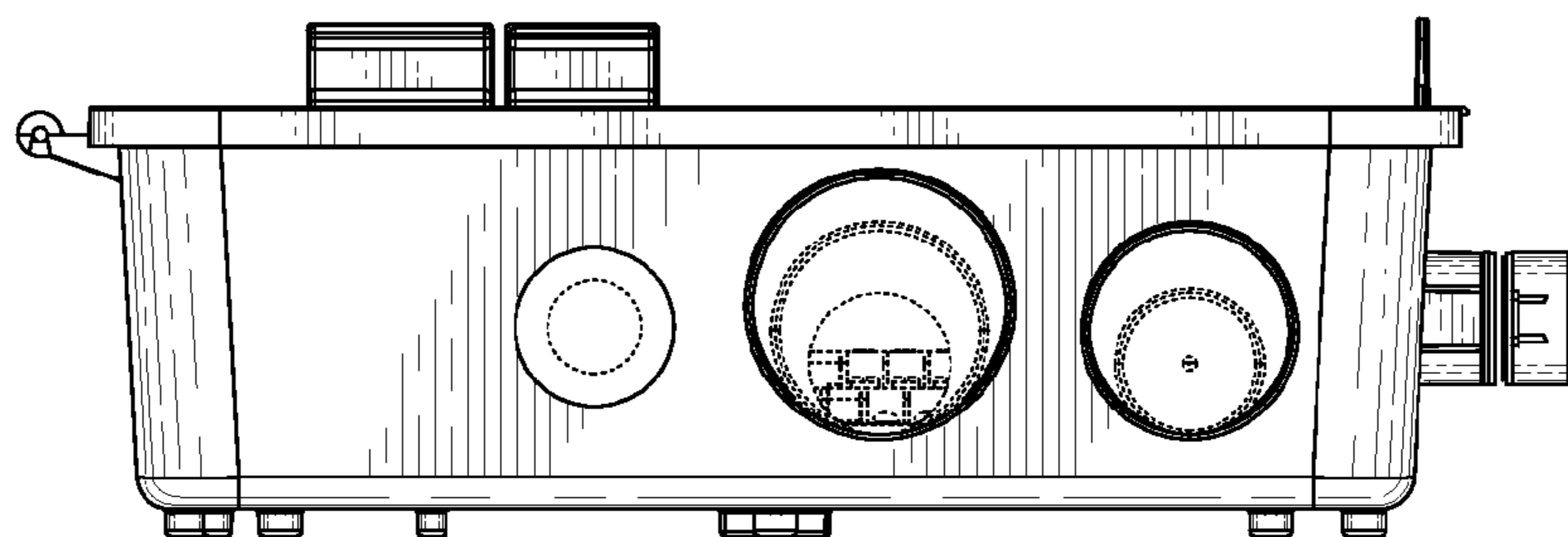
**FIG. 5**



**FIG. 6**



**FIG. 7**



**FIG. 8**