



US00D612812S

(12) **United States Design Patent**
Rupert

(10) **Patent No.:** **US D612,812 S**
(45) **Date of Patent:** **** Mar. 30, 2010**

(54) **KEYING CONFIGURATION FOR AN ELECTRICAL CONNECTOR**

D580,872 S * 11/2008 Knepper D13/154
D581,366 S * 11/2008 Knepper D13/154
D583,770 S * 12/2008 Ramsey D13/154

(75) Inventor: **Brian K. Rupert**, Kendallville, IN (US)

* cited by examiner

(73) Assignee: **Group Dekko, Inc**, Kendallville, IN (US)

Primary Examiner—Daniel D Bui
(74) *Attorney, Agent, or Firm*—Taylor & Aust, P.C.

(**) Term: **14 Years**

(57) **CLAIM**

(21) Appl. No.: **29/342,420**

The ornamental design for a keying configuration for an electrical connector, as shown and described.

(22) Filed: **Aug. 25, 2009**

(51) **LOC (9) Cl.** **13-03**

(52) **U.S. Cl.** **D13/154**

(58) **Field of Classification Search** D13/133,
D13/146–147, 153, 154, 184; 439/266, 345,
439/350, 352, 357–358, 476.1, 595, 660,
439/680, 752

See application file for complete search history.

DESCRIPTION

FIG. 1 is a perspective view of a keying configuration for an electrical connector showing my new design;

FIG. 2 is a front view thereof;

FIG. 3 is a rear view thereof;

FIG. 4 is a side view thereof, the opposite side being a mirror image thereto;

FIG. 5 is a top view thereof; and,

FIG. 6 is a bottom view thereof.

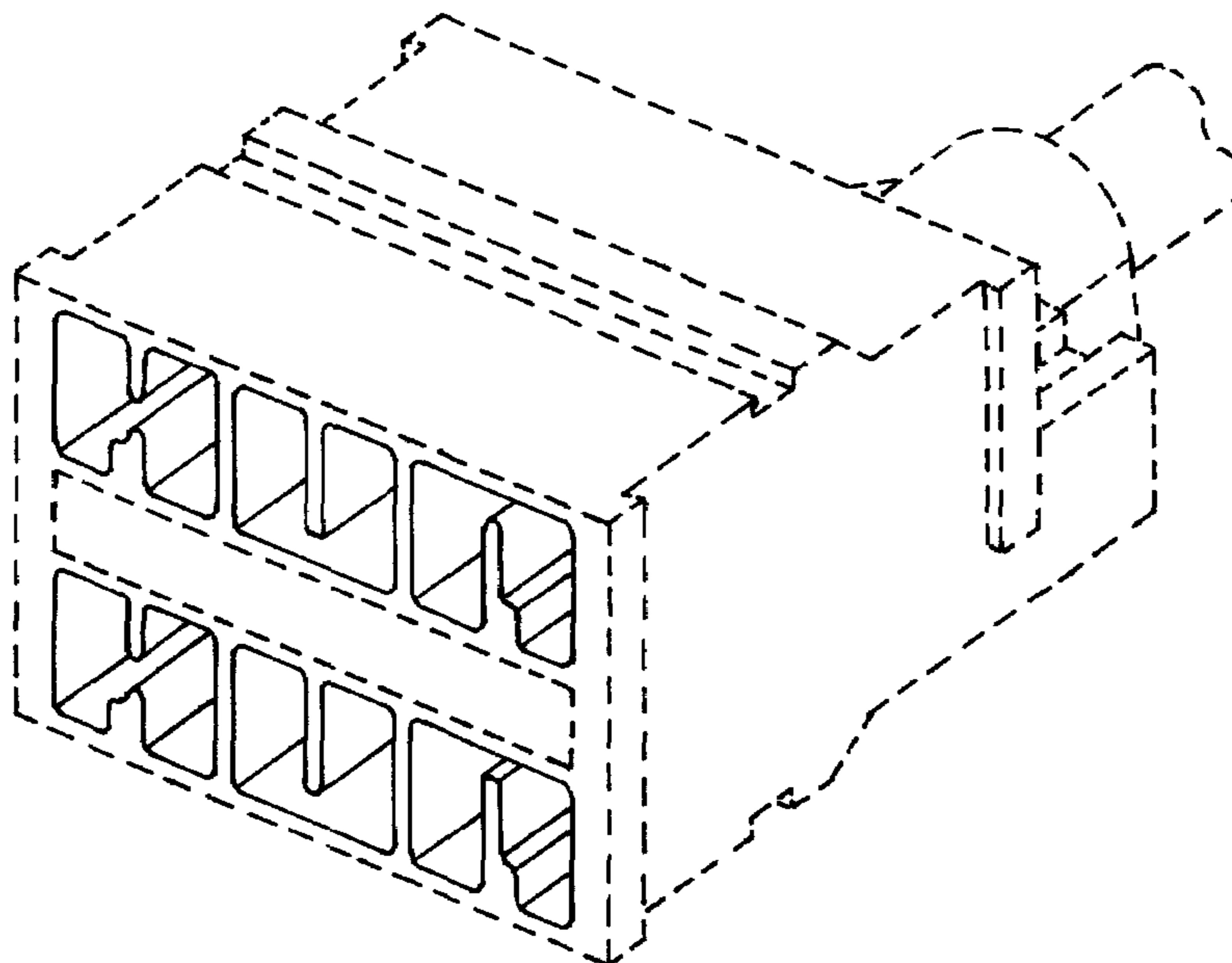
The broken line portion of the figure drawings is included to show unclaimed subject matter only and forms no part of the claimed design.

(56) **References Cited**

U.S. PATENT DOCUMENTS

D474,746 S * 5/2003 Rupert D13/147
D510,908 S * 10/2005 Byrne D13/147
D531,959 S * 11/2006 Kondas D13/147
D531,960 S * 11/2006 Kondas D13/147
D580,370 S * 11/2008 Ramsey D13/154

1 Claim, 2 Drawing Sheets



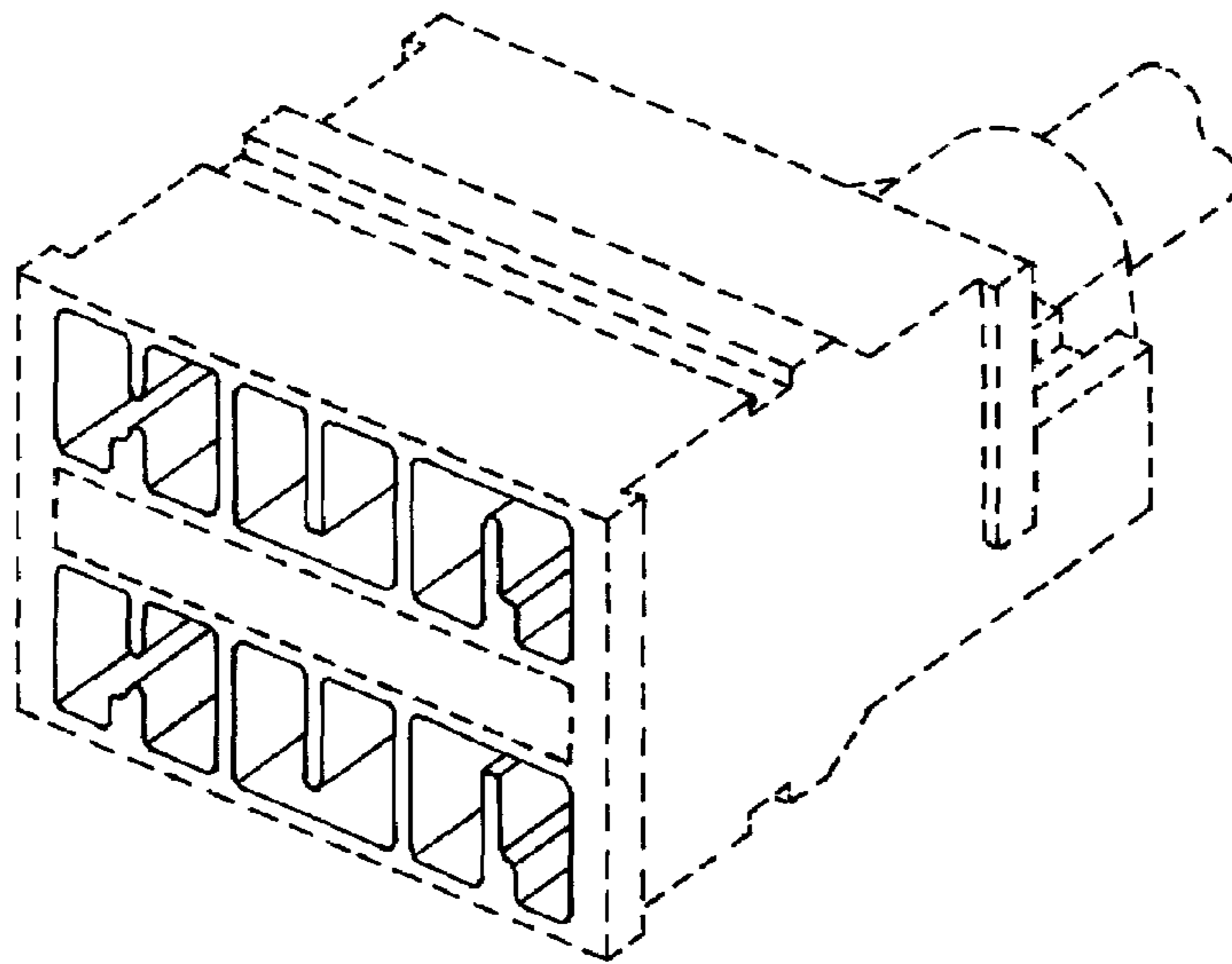


Fig. 1

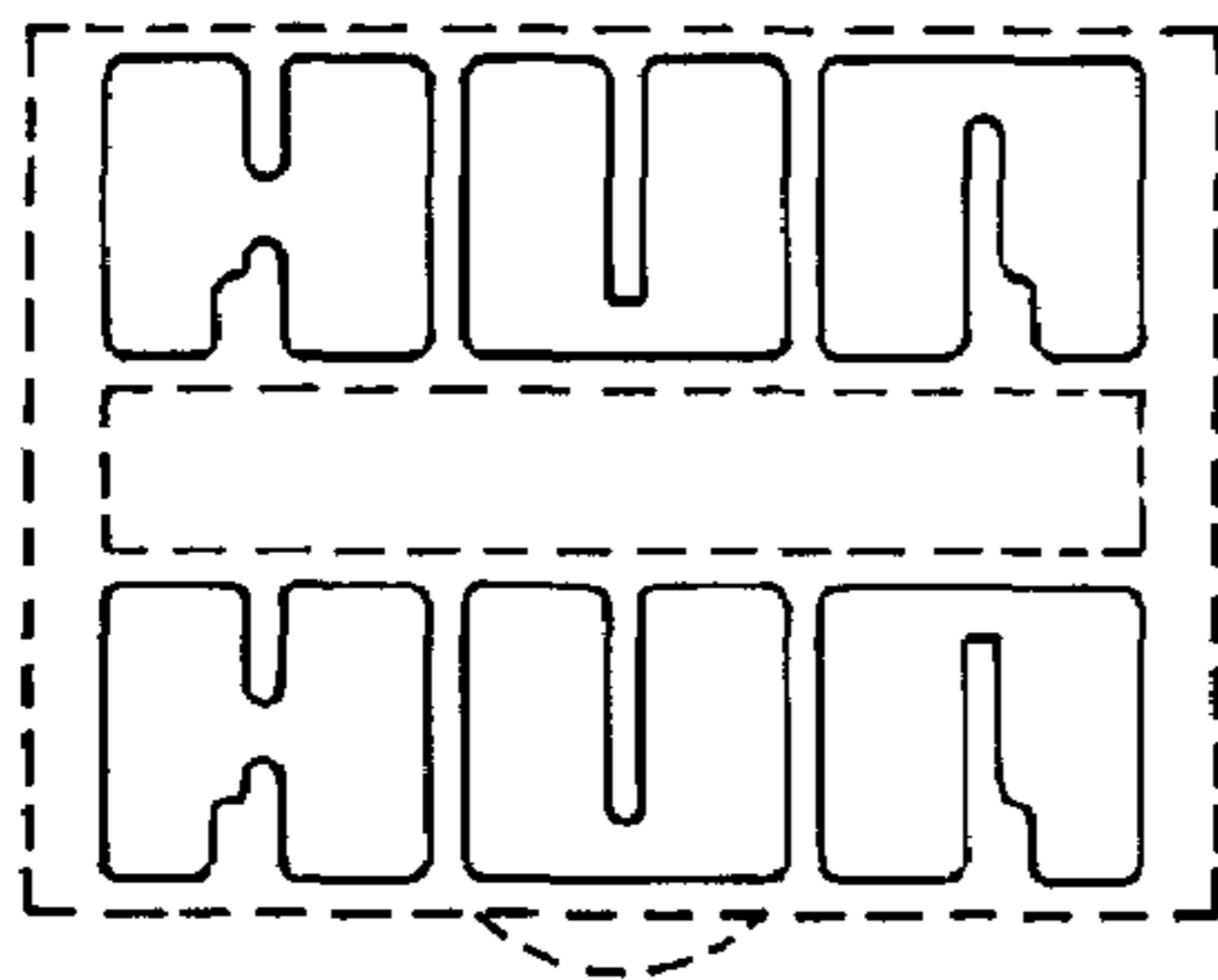


Fig. 2

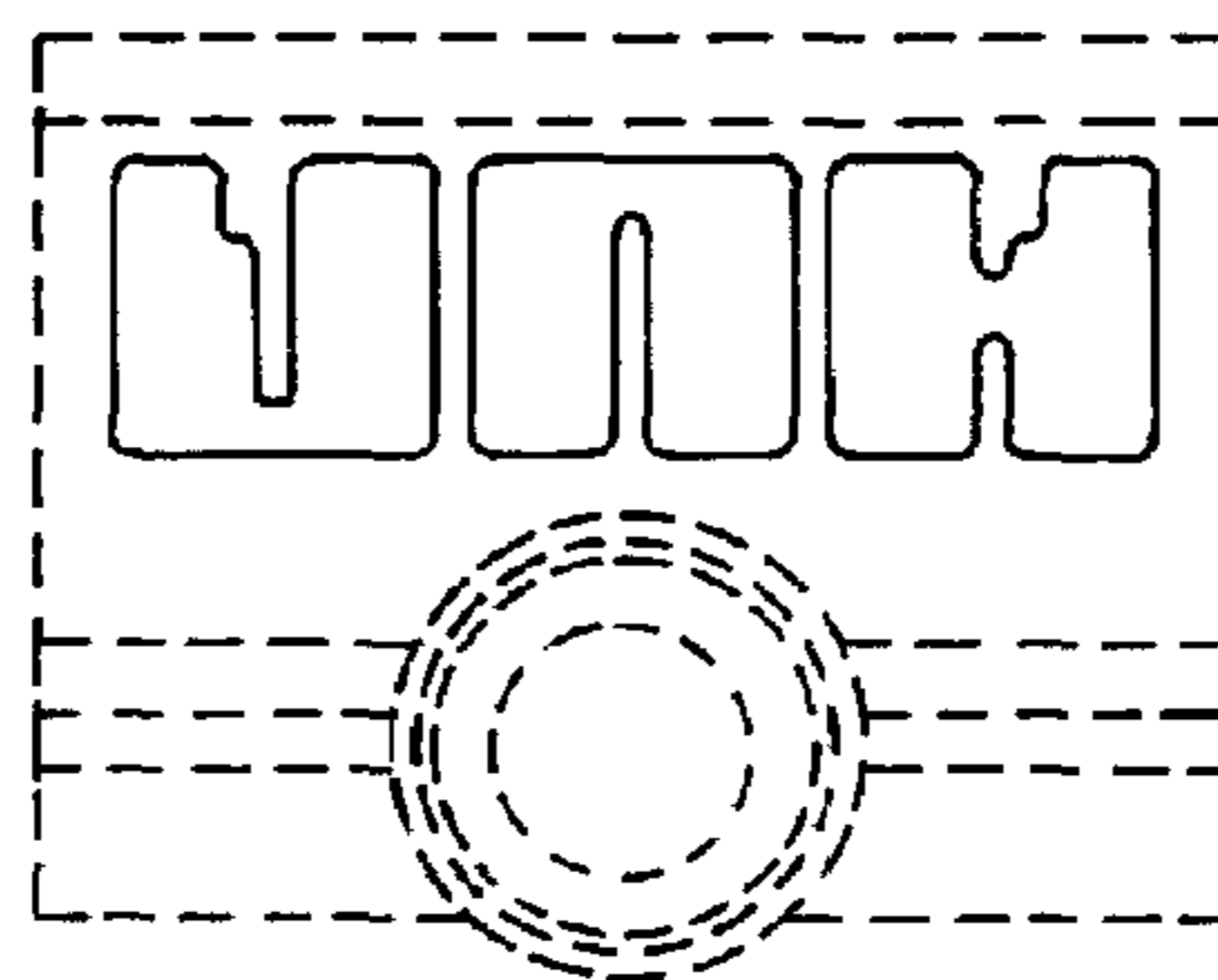


Fig. 3

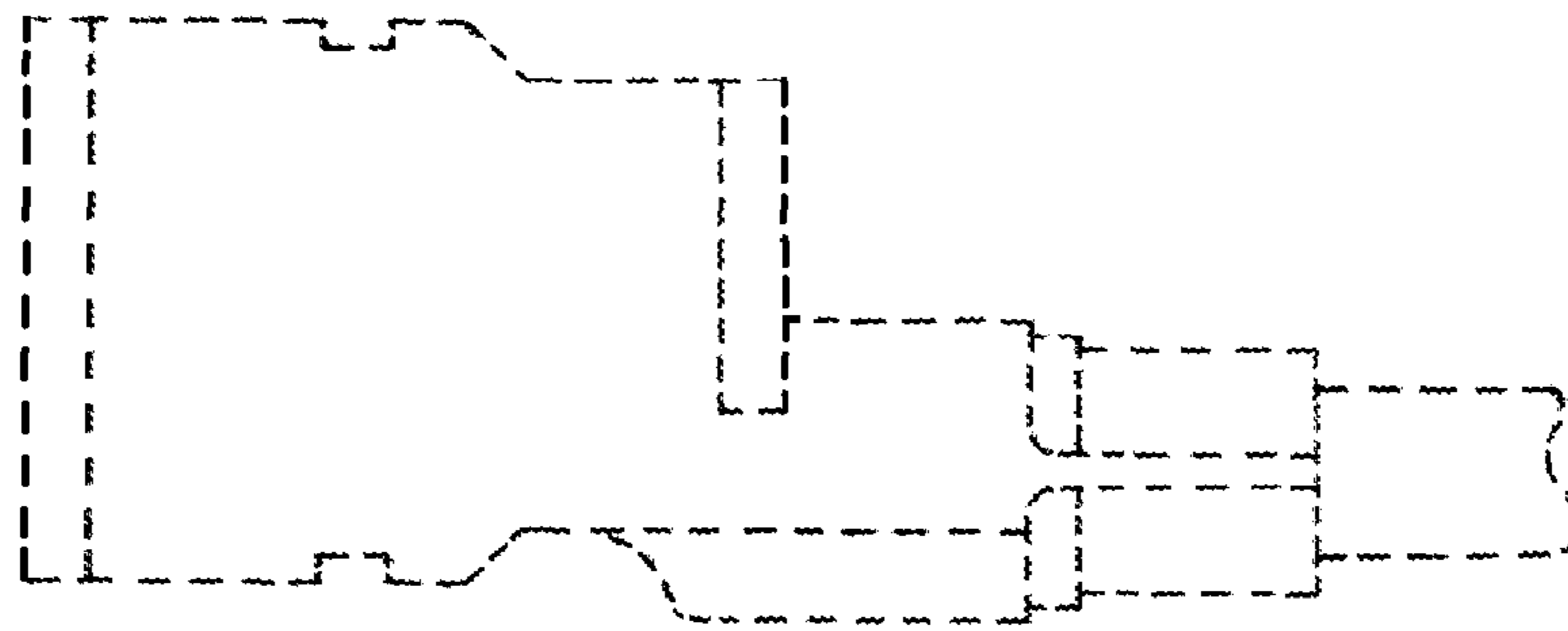


Fig. 4

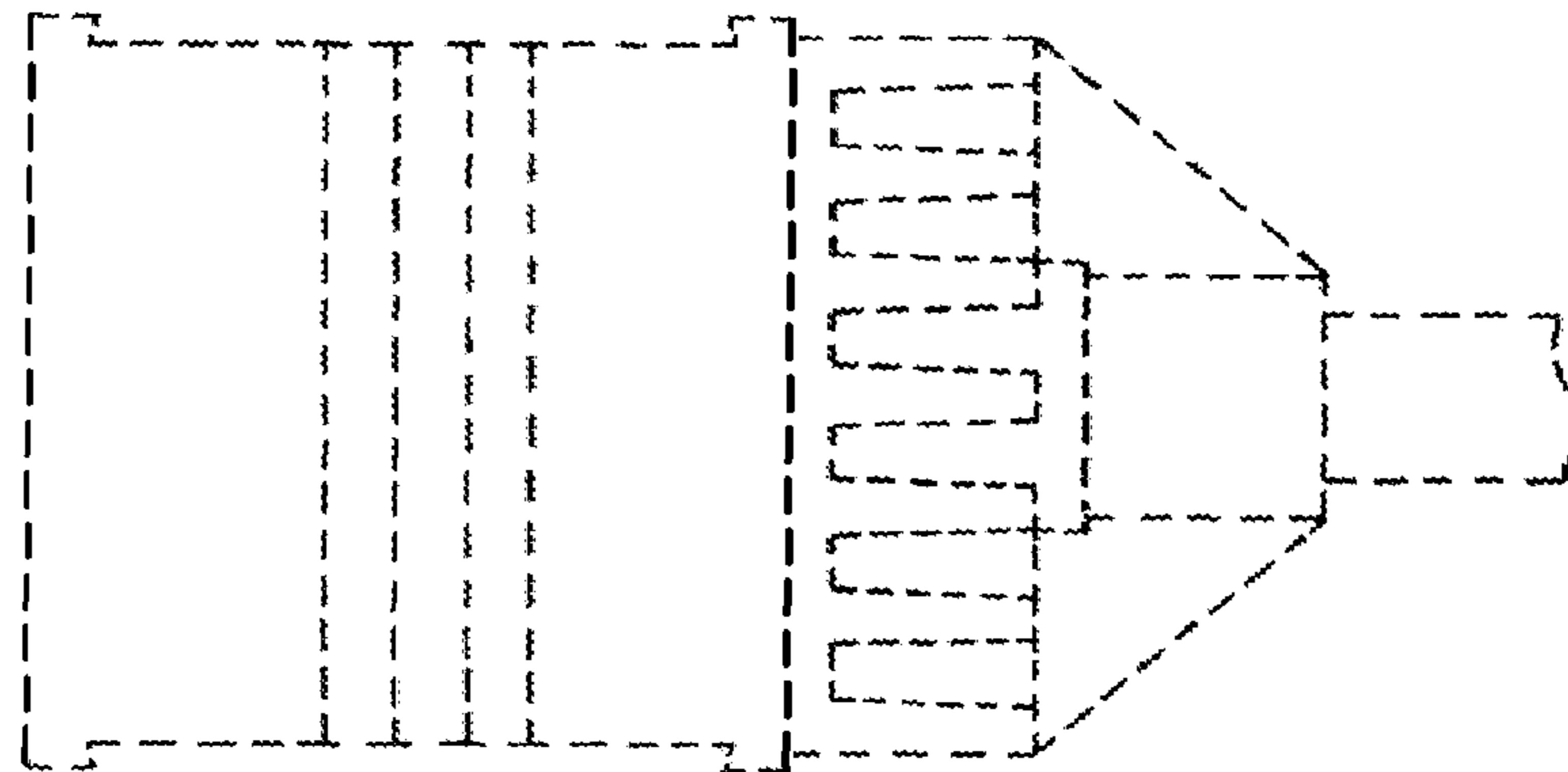


Fig. 5

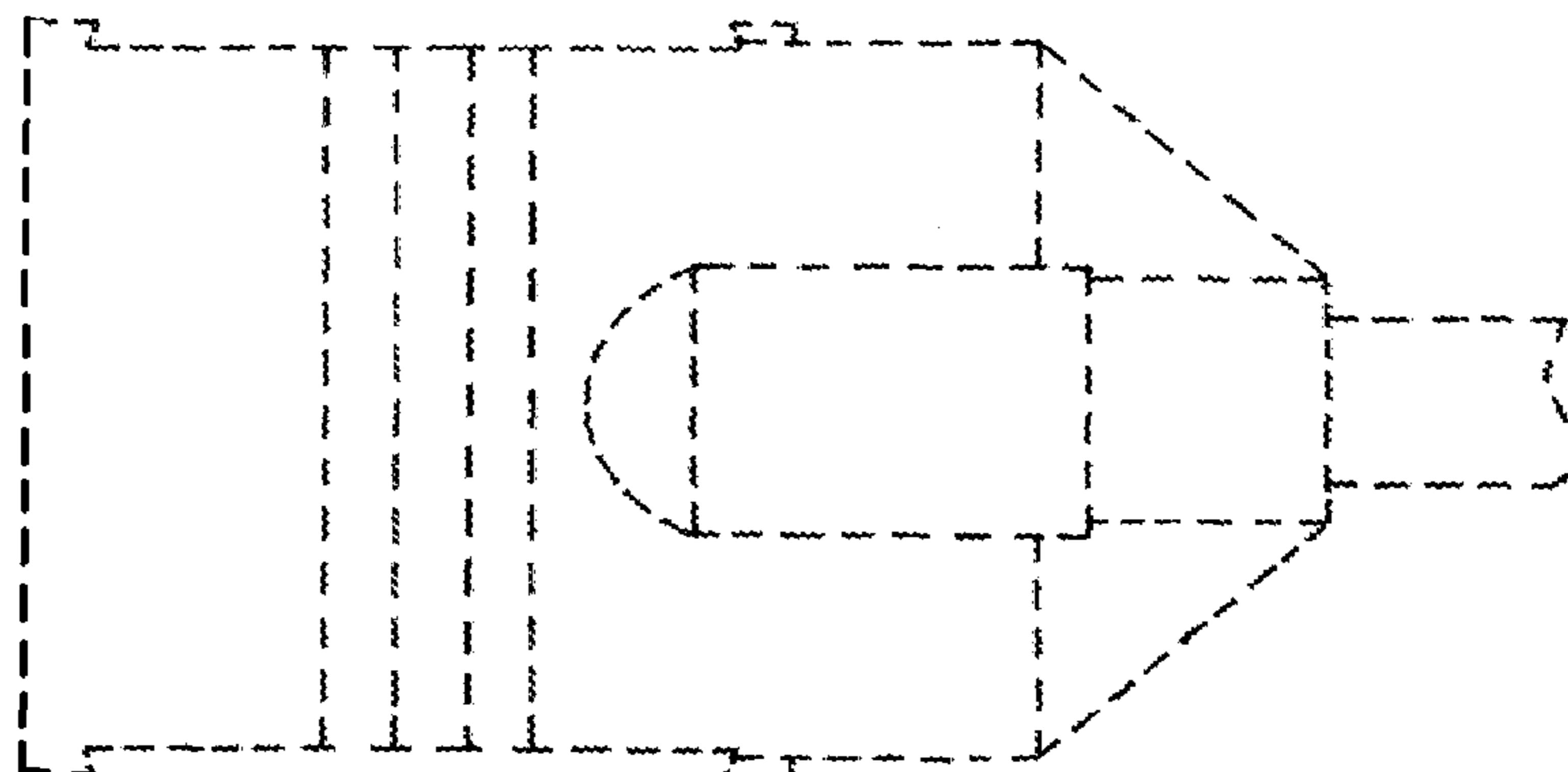


Fig. 6