



US00D612811S

(12) **United States Design Patent**  
**Daily et al.**

(10) **Patent No.:** **US D612,811 S**  
(45) **Date of Patent:** **\*\* Mar. 30, 2010**

(54) **CONTACT ISOLATOR**

6,944,005 B2 9/2005 Kooiman  
7,014,480 B1 3/2006 Weidner et al.  
7,137,825 B2 11/2006 Myer et al.

(75) Inventors: **Christopher George Daily**, Harrisburg, PA (US); **Matthew Edward Mostoller**, Hummelstown, PA (US); **David F. Fleming**, Palmyra, PA (US)

\* cited by examiner

*Primary Examiner*—Daniel D Bui

(73) Assignee: **Tyco Electronics Corporation**, Berwyn, PA (US)

(57) **CLAIM**

(\*\*) Term: **14 Years**

The ornamental design for a contact isolator, as shown and described.

(21) Appl. No.: **29/324,455**

**DESCRIPTION**

(22) Filed: **Sep. 12, 2008**

FIG. 1 is a top front perspective view of a first embodiment of a contact isolator in an open configuration showing the new design;

(51) **LOC (9) Cl.** ..... **13-03**

(52) **U.S. Cl.** ..... **D13/154**

(58) **Field of Classification Search** ..... D13/133,  
D13/146–147, 154, 184; 439/607–610, 732,  
439/844, 851–852, 865, 867, 872, 877, 884  
See application file for complete search history.

FIG. 2 is a bottom front perspective view thereof;

FIG. 3 is a top back perspective view thereof;

FIG. 4 is a front plan view thereof;

FIG. 5 is a back plan view thereof;

FIG. 6 is a left side end view thereof;

FIG. 7 is a right side end view thereof;

FIG. 8 is a bottom view thereof; and,

FIG. 9 is a top plan view thereof.

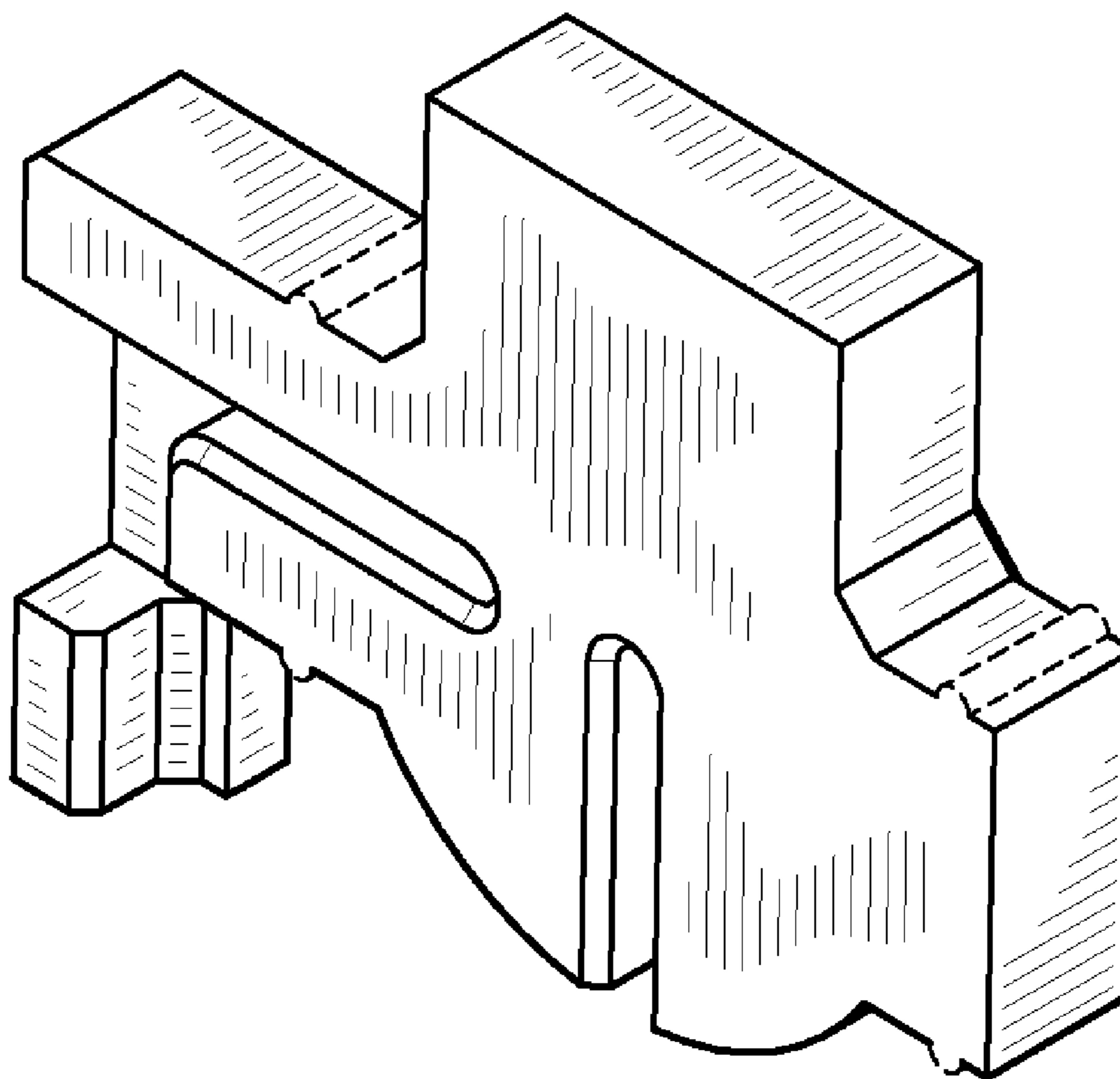
The broken line portion of the figure drawings is included to show unclaimed subject matter only and forms no part of the claimed design.

(56) **References Cited**

**U.S. PATENT DOCUMENTS**

D236,250 S \* 8/1975 Walton ..... D8/396  
4,759,726 A \* 7/1988 Naylor et al. .... 439/441  
6,036,545 A 3/2000 Caviness et al.  
D471,876 S \* 3/2003 Jaag ..... D13/154  
6,575,761 B1 6/2003 Regnier  
6,679,728 B1 1/2004 Huang et al.  
6,683,773 B2 1/2004 Montena  
6,776,621 B1 8/2004 Dye

**1 Claim, 2 Drawing Sheets**



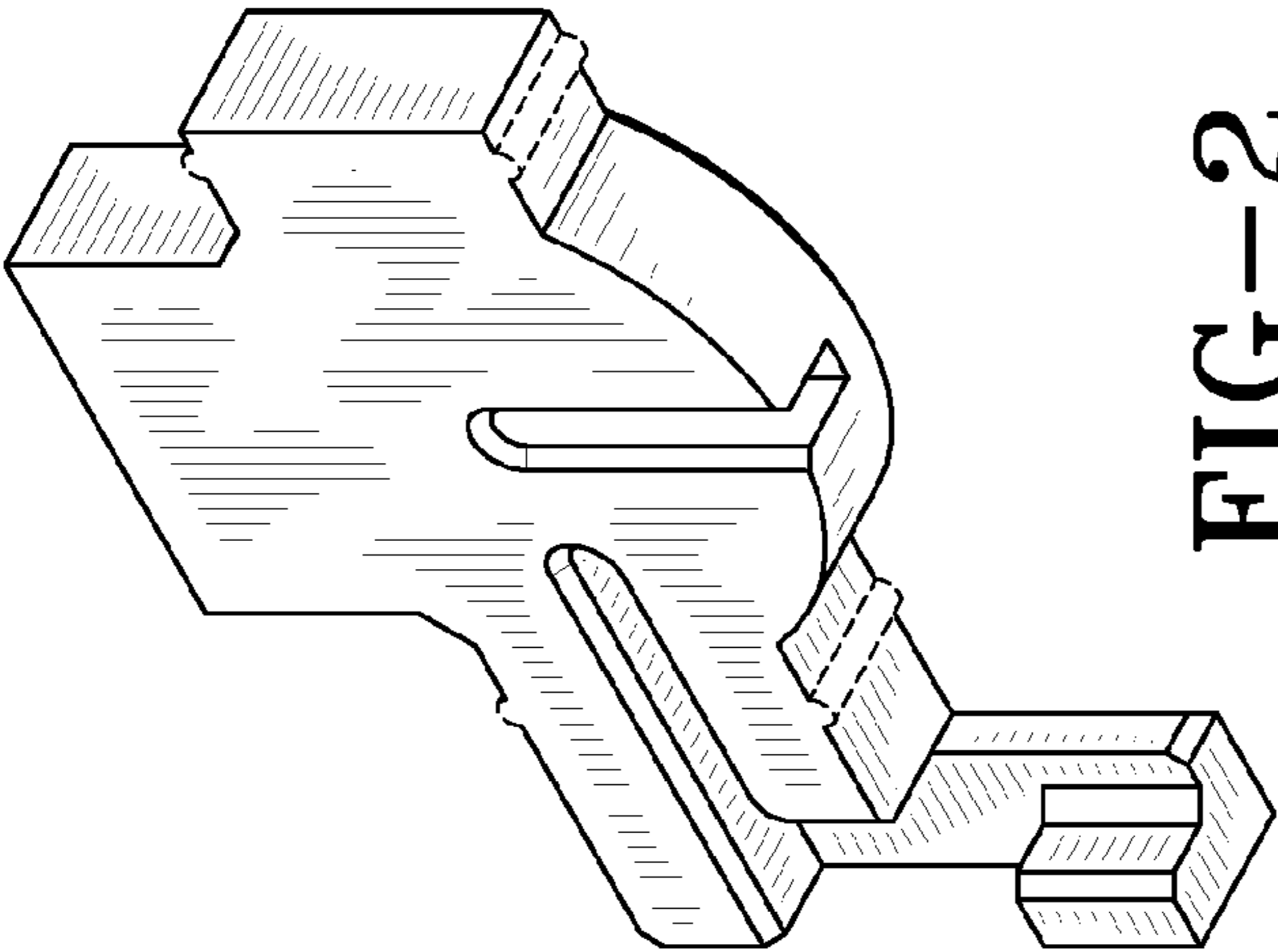


FIG-2

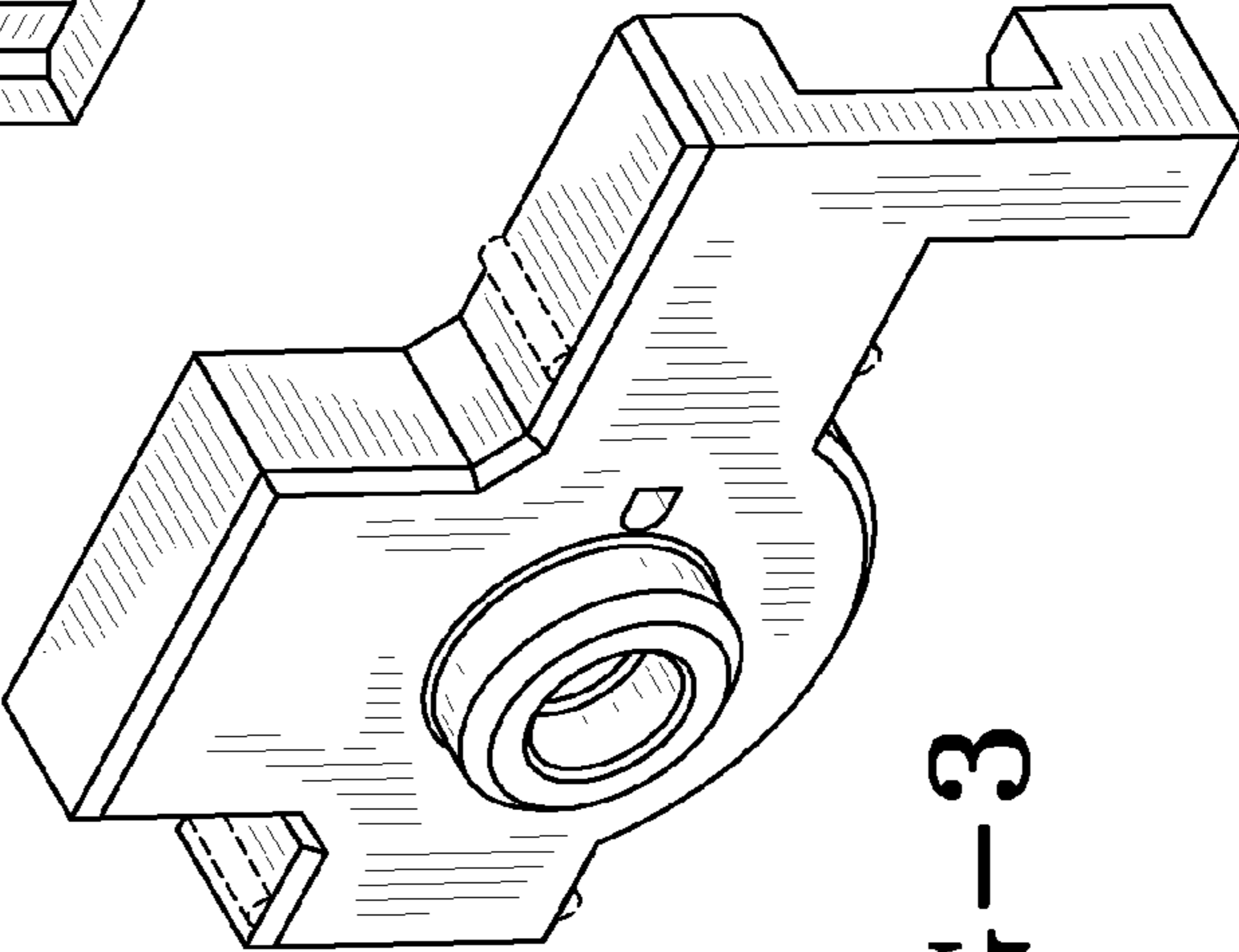


FIG-3

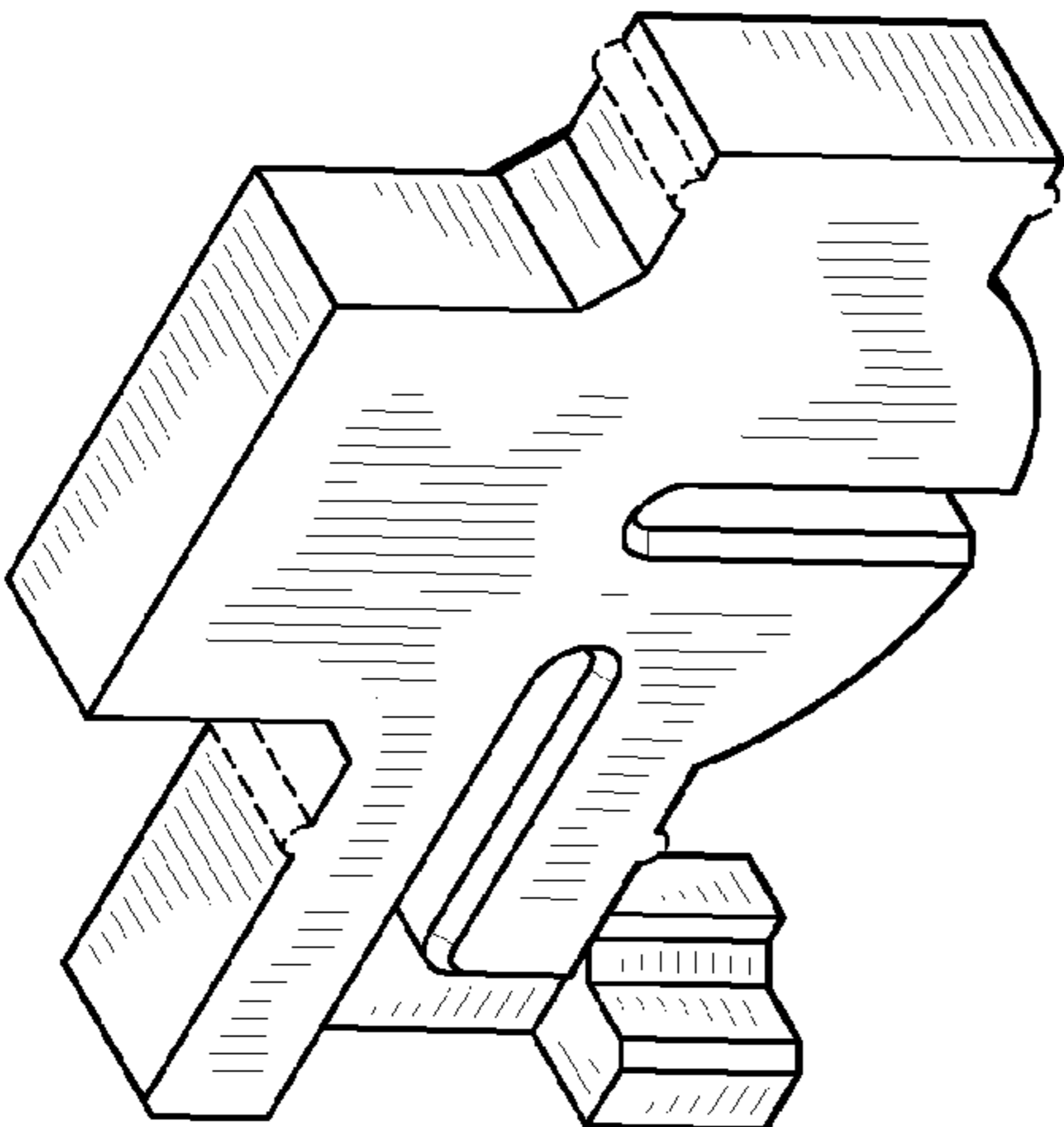


FIG-1

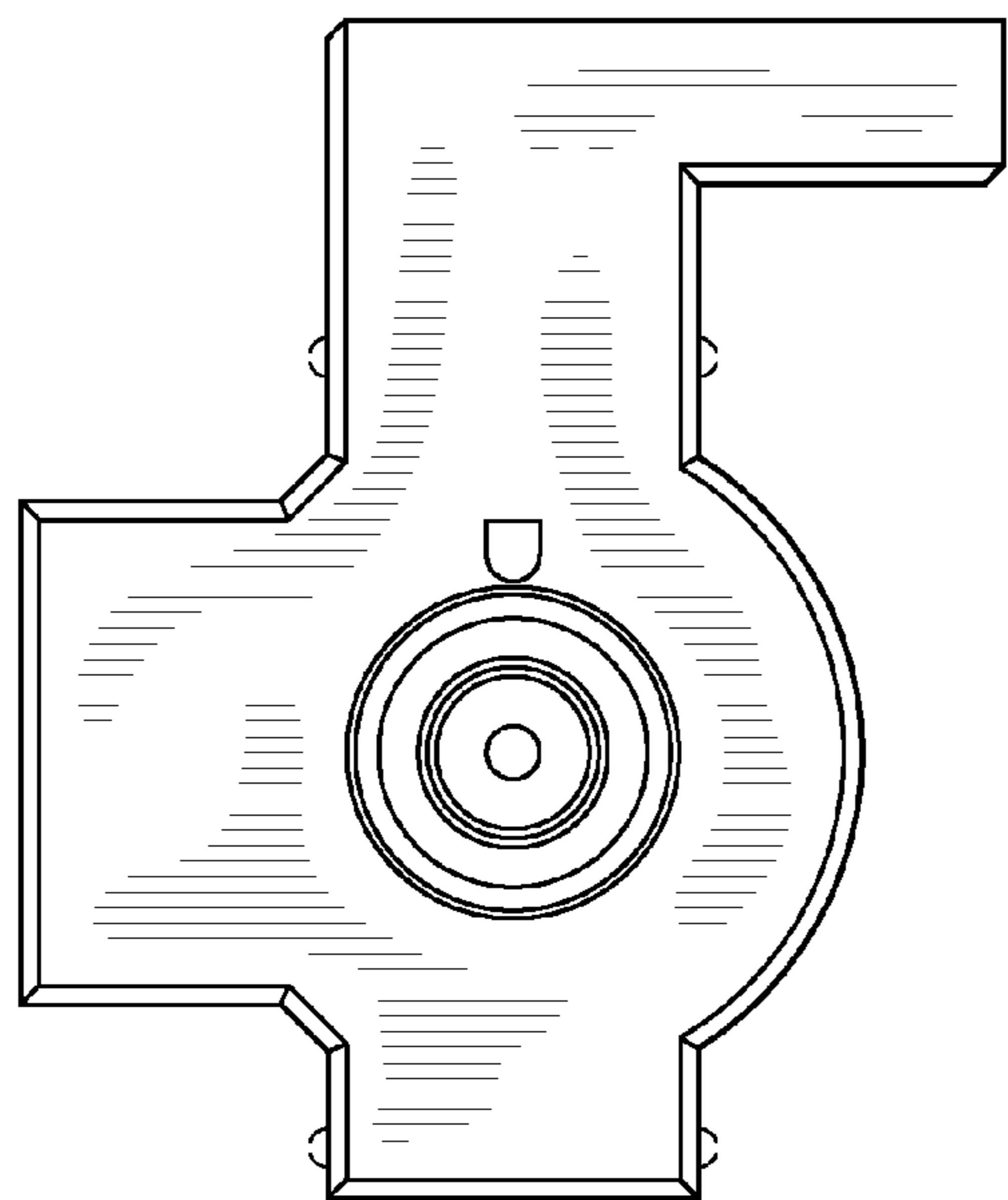


FIG-5

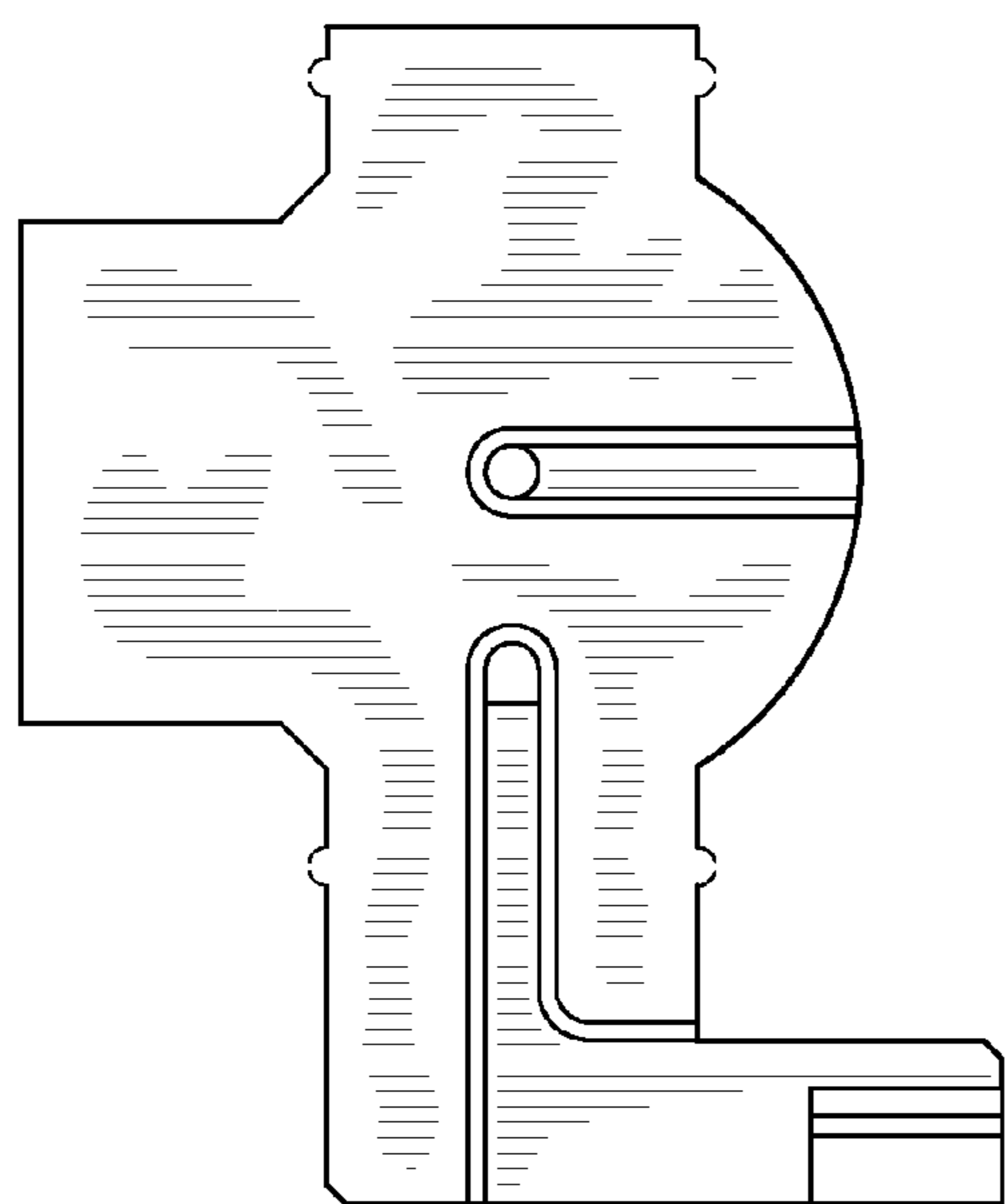


FIG-4

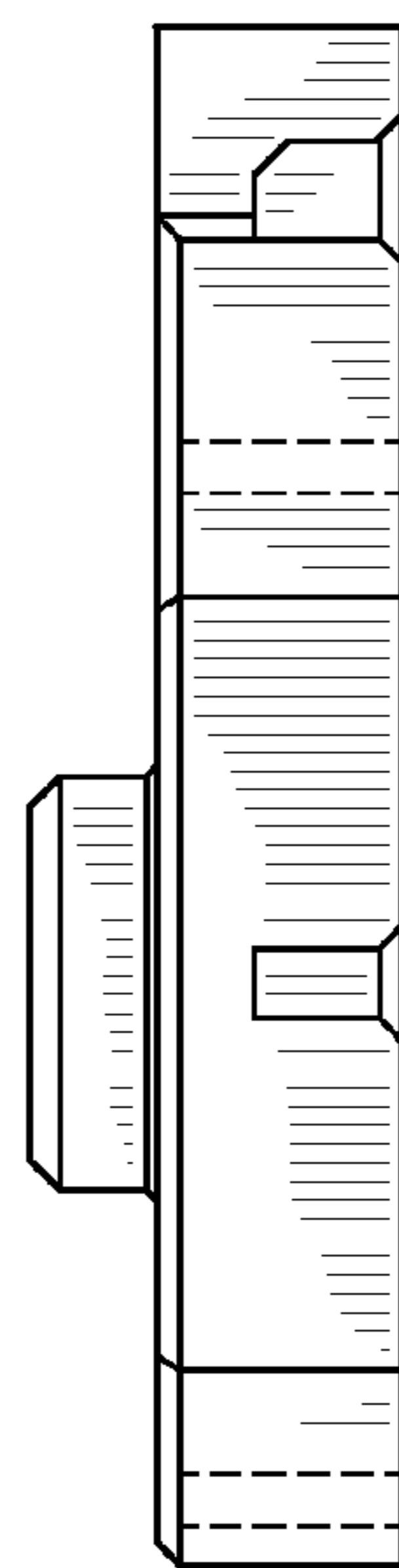


FIG-8

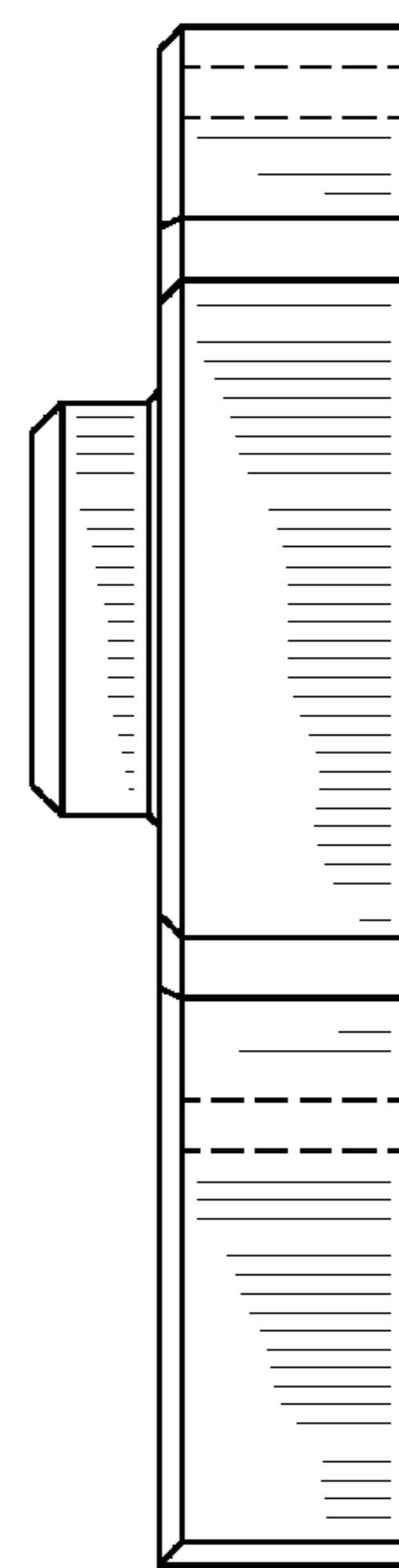


FIG-9

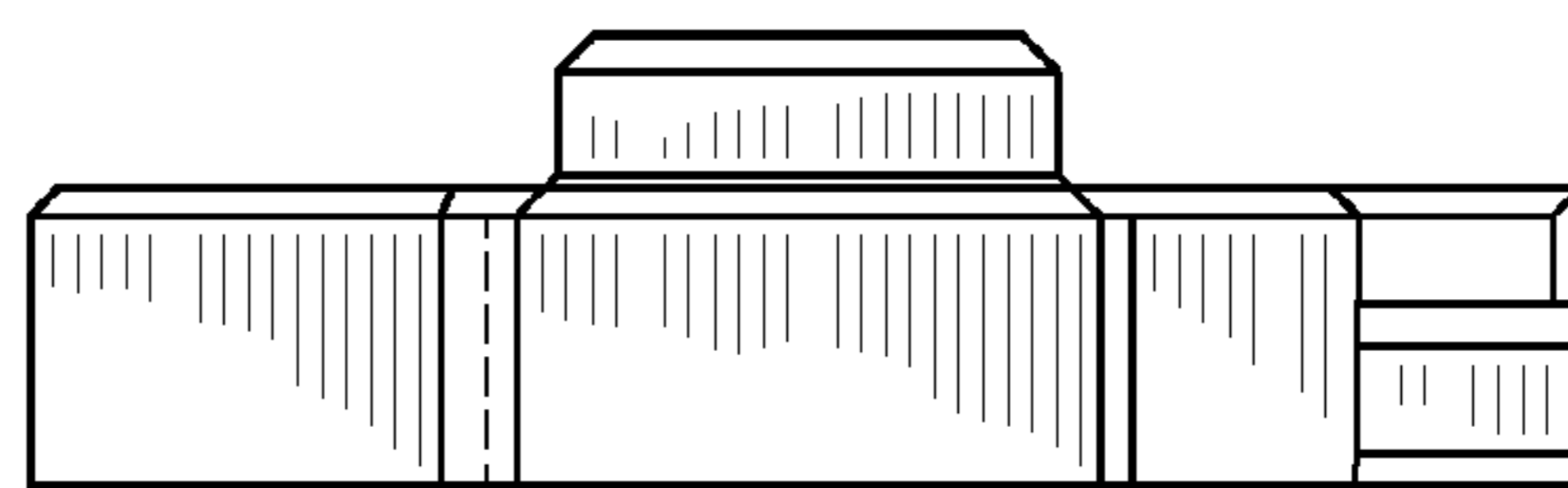


FIG-7

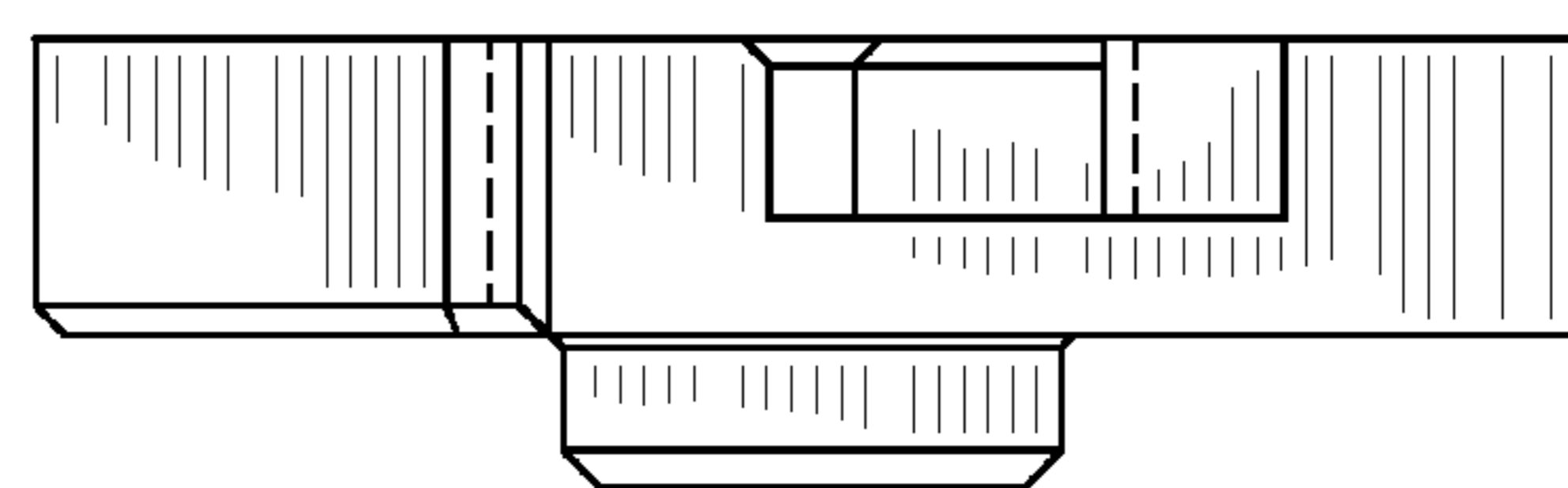


FIG-6