



US00D612810S

(12) **United States Design Patent**
Bender

(10) **Patent No.:** **US D612,810 S**
(45) **Date of Patent:** **** Mar. 30, 2010**

(54) **ELECTRICAL CONNECTOR WITH CONNECTING FLANGE**

(75) Inventor: **Alexander Bender**, Detmold (DE)

(73) Assignee: **Phoenix Contact GmbH & Co. KG**, Blomberg (DE)

(**) Term: **14 Years**

(21) Appl. No.: **29/328,898**

(22) Filed: **Dec. 3, 2008**

(30) **Foreign Application Priority Data**

Jun. 3, 2008 (EM) 000944624

(51) **LOC (9) Cl.** **13-03**

(52) **U.S. Cl.** **D13/147**

(58) **Field of Classification Search** D13/120, D13/133, 146-147, 154, 184; 439/79, 83, 439/607-610, 681, 686, 793, 798, 810

See application file for complete search history.

(56) **References Cited**

U.S. PATENT DOCUMENTS

4,861,271	A *	8/1989	Bogar et al.	439/63
5,700,986	A *	12/1997	Rurup et al.	200/50.32
5,726,619	A *	3/1998	Hohorst et al.	336/192
D576,561	S *	9/2008	Kaluza	D13/162
D593,951	S *	6/2009	Yoon	D13/147

OTHER PUBLICATIONS

Co-pending U.S. Appl. No. 29/328,891, filed Dec. 3, 2008, entitled "Electrical connector".

* cited by examiner

Primary Examiner—Daniel D Bui

(74) *Attorney, Agent, or Firm*—Darby & Darby

(57) **CLAIM**

The ornamental design for an electrical connector with connecting flange, as shown and described.

DESCRIPTION

FIG. 1 is a front, bottom, and left side perspective view of an electrical connector with connecting flange, showing my new design;

FIG. 2 is a top plan view thereof;

FIG. 3 is a front elevational view thereof;

FIG. 4 is a left side elevational view thereof;

FIG. 5 is a right side elevational view thereof;

FIG. 6 is a bottom plan view thereof; and,

FIG. 7 is a back elevational thereof.

The broken line portion in the drawing view is included to show unclaimed subject matter only and forms no part of the claimed design.

1 Claim, 6 Drawing Sheets

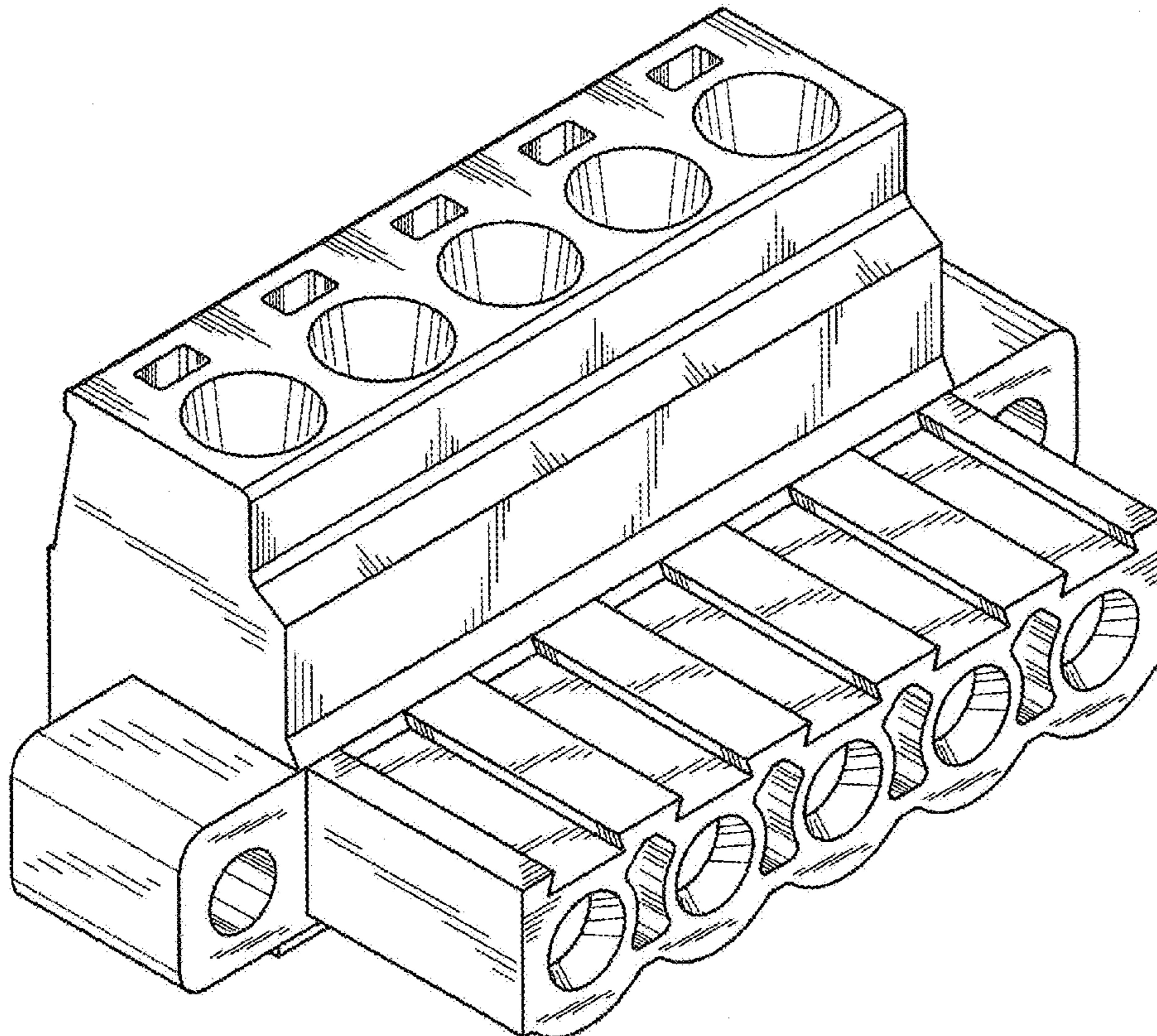


Figure 1

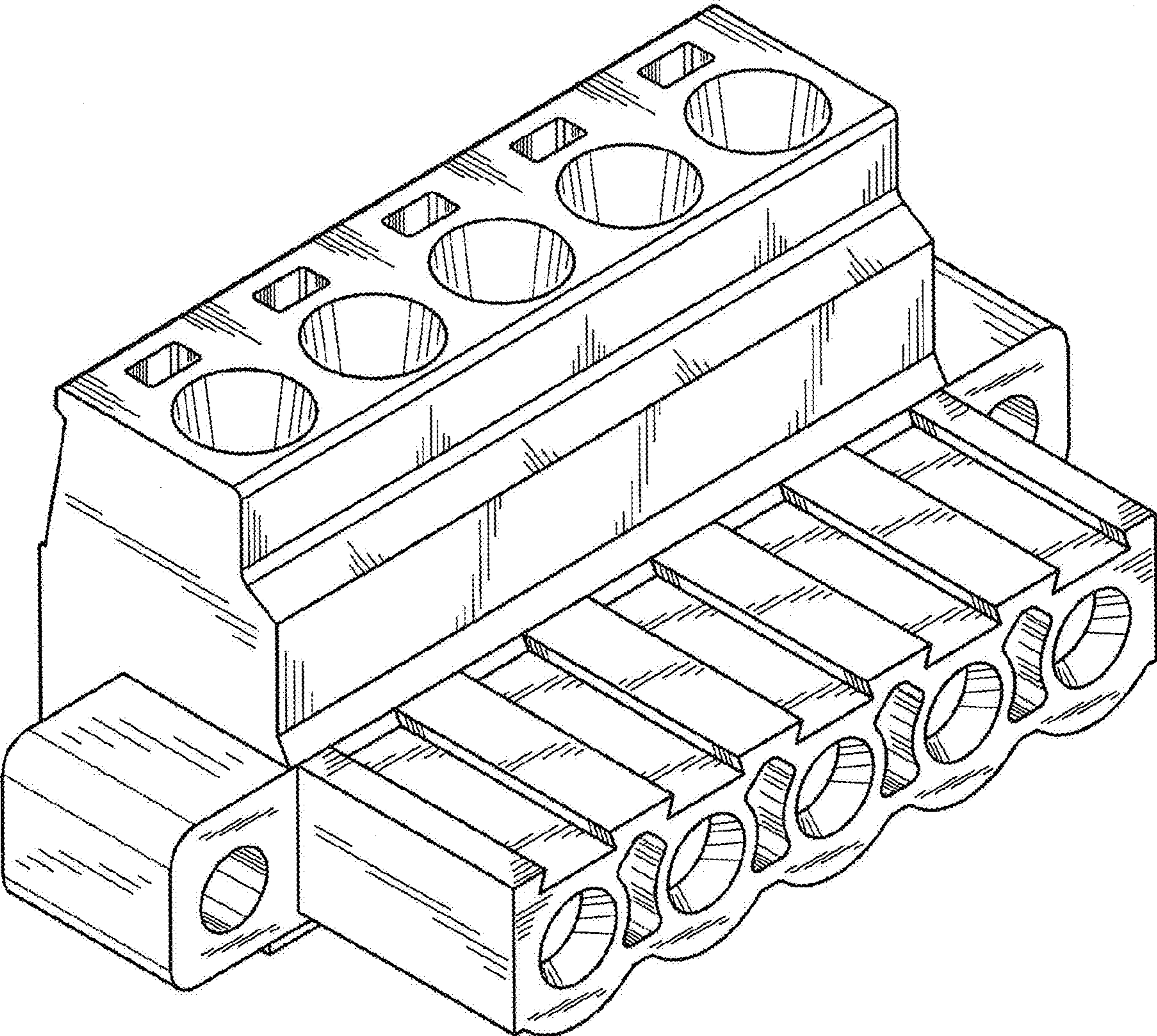


Figure 2

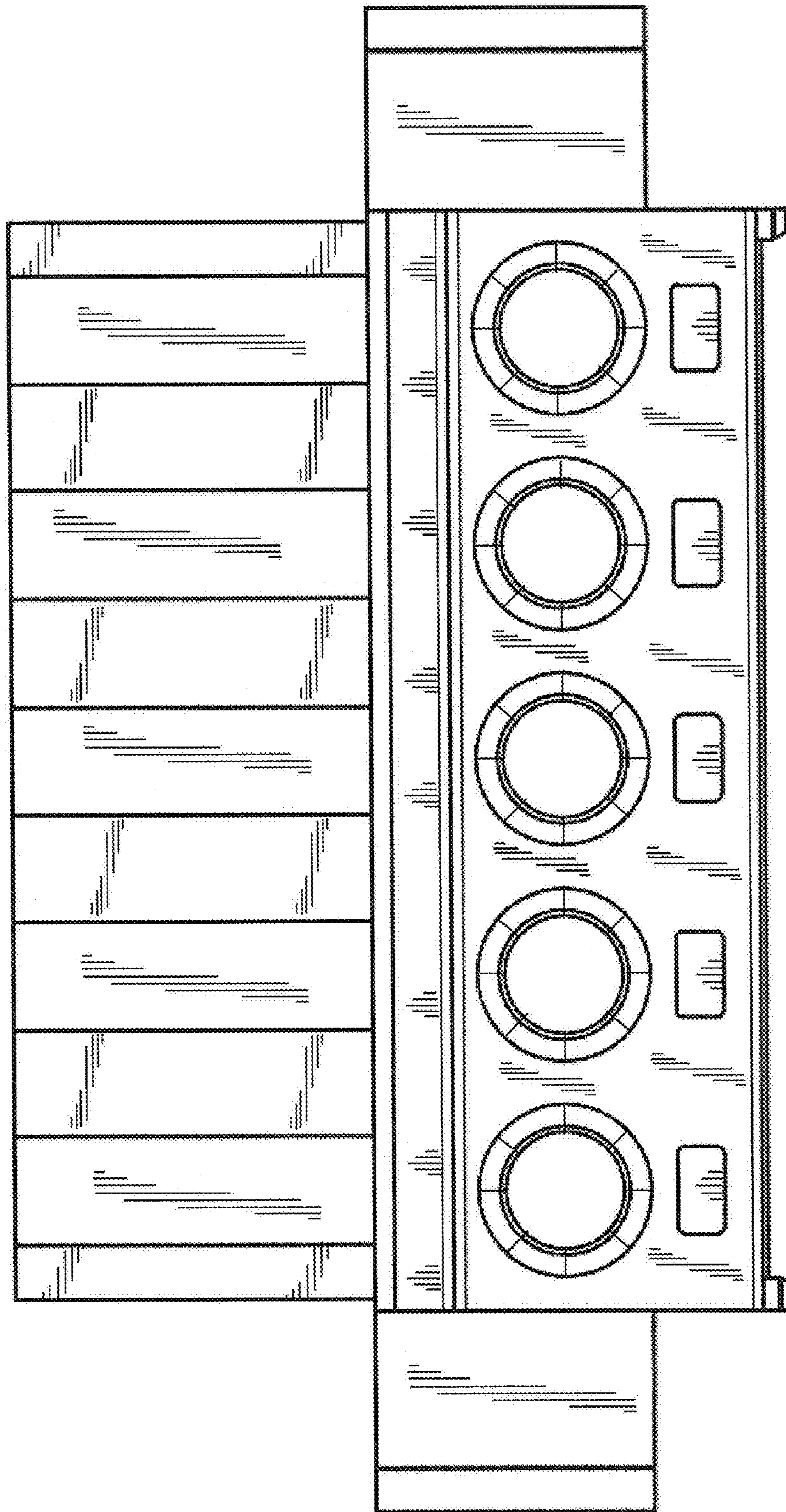


Figure 3

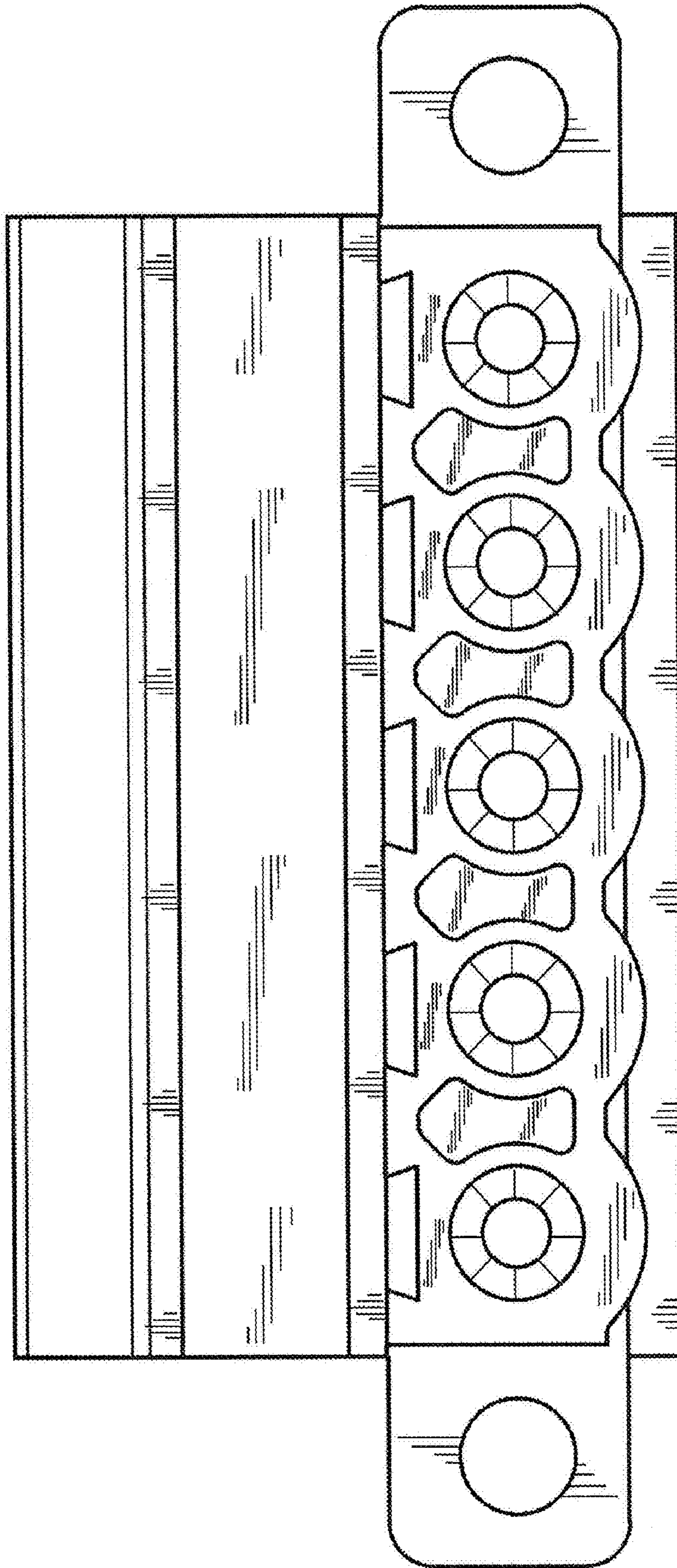


Figure 5

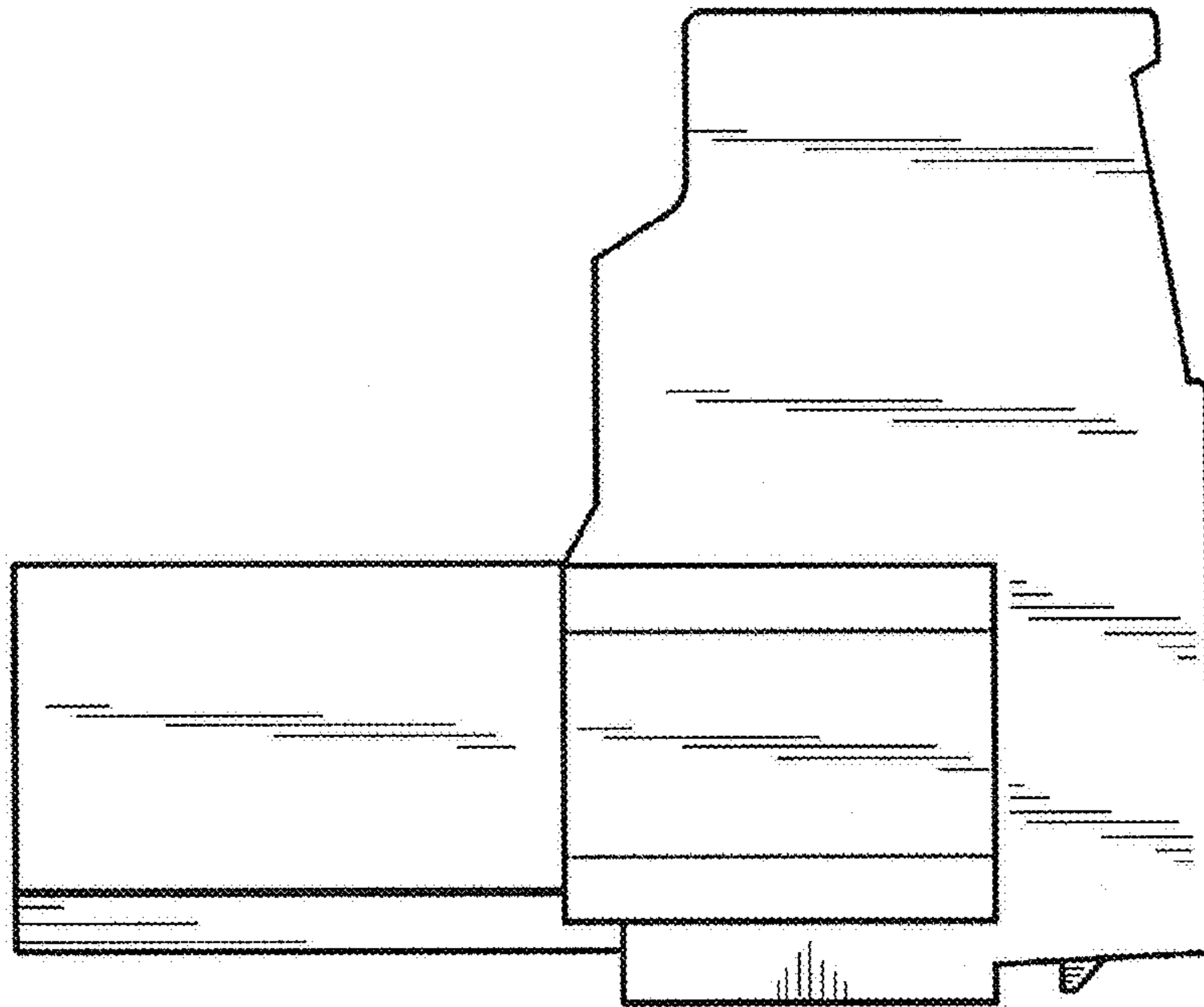


Figure 4

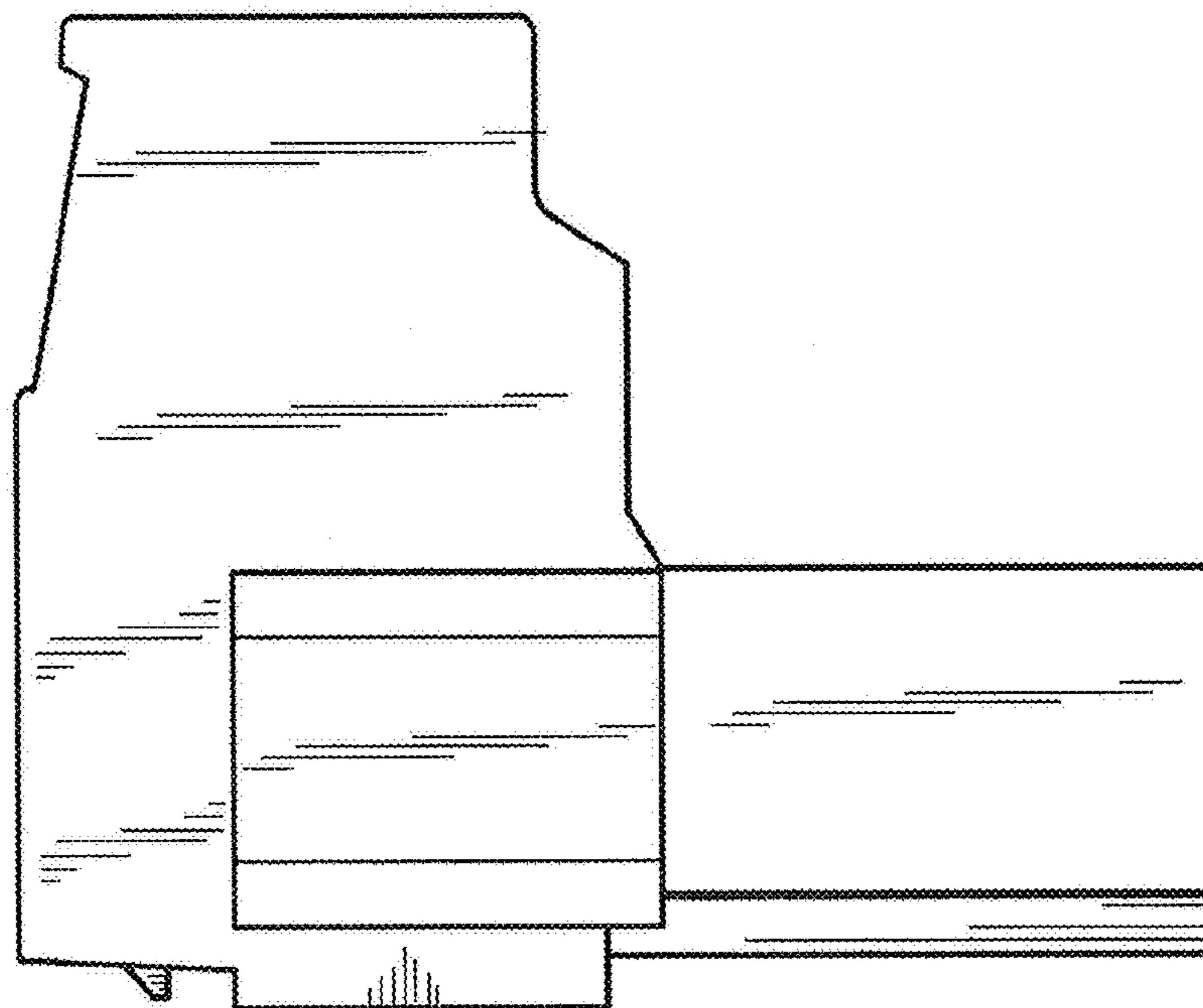
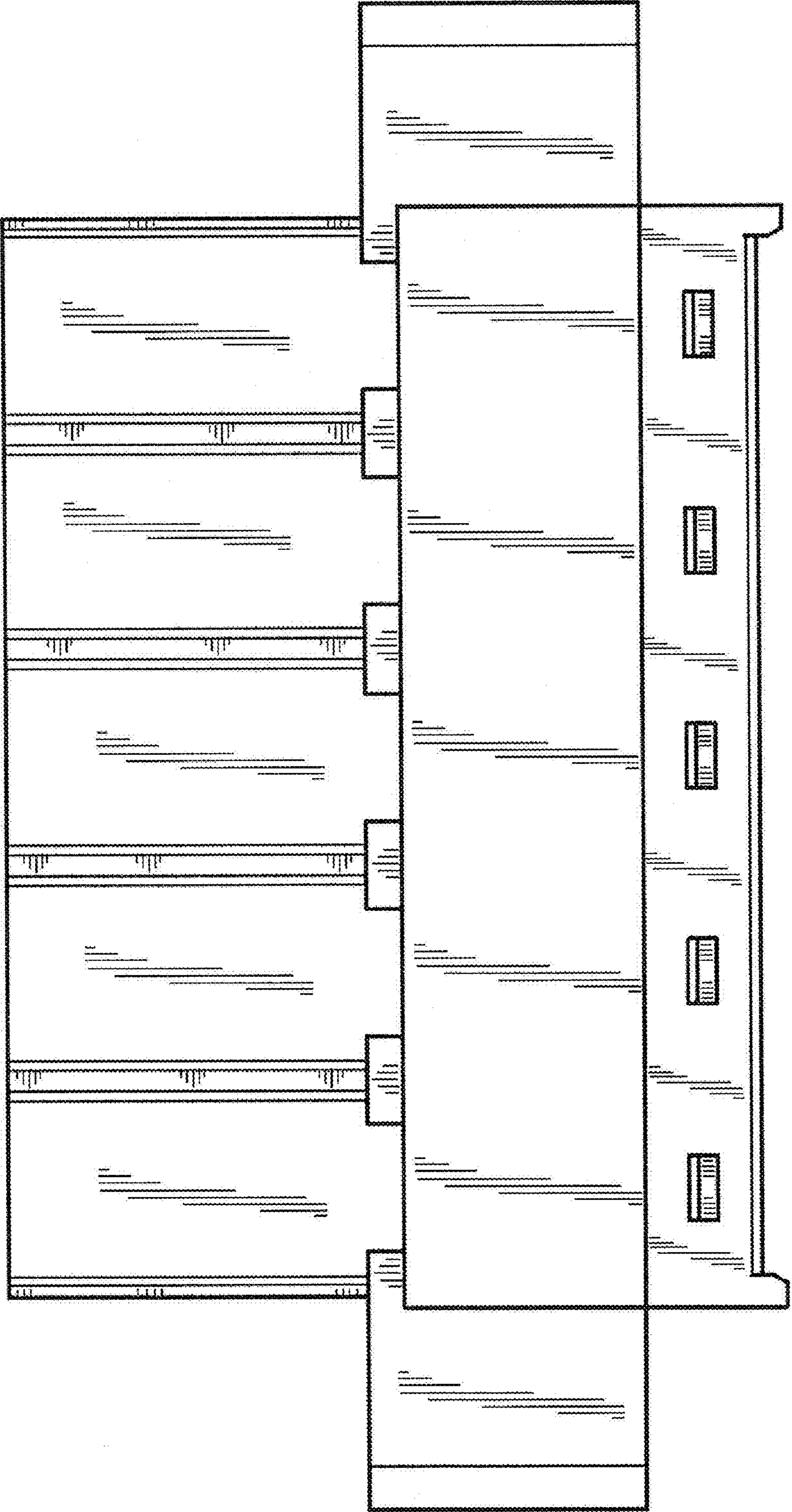


Figure 6



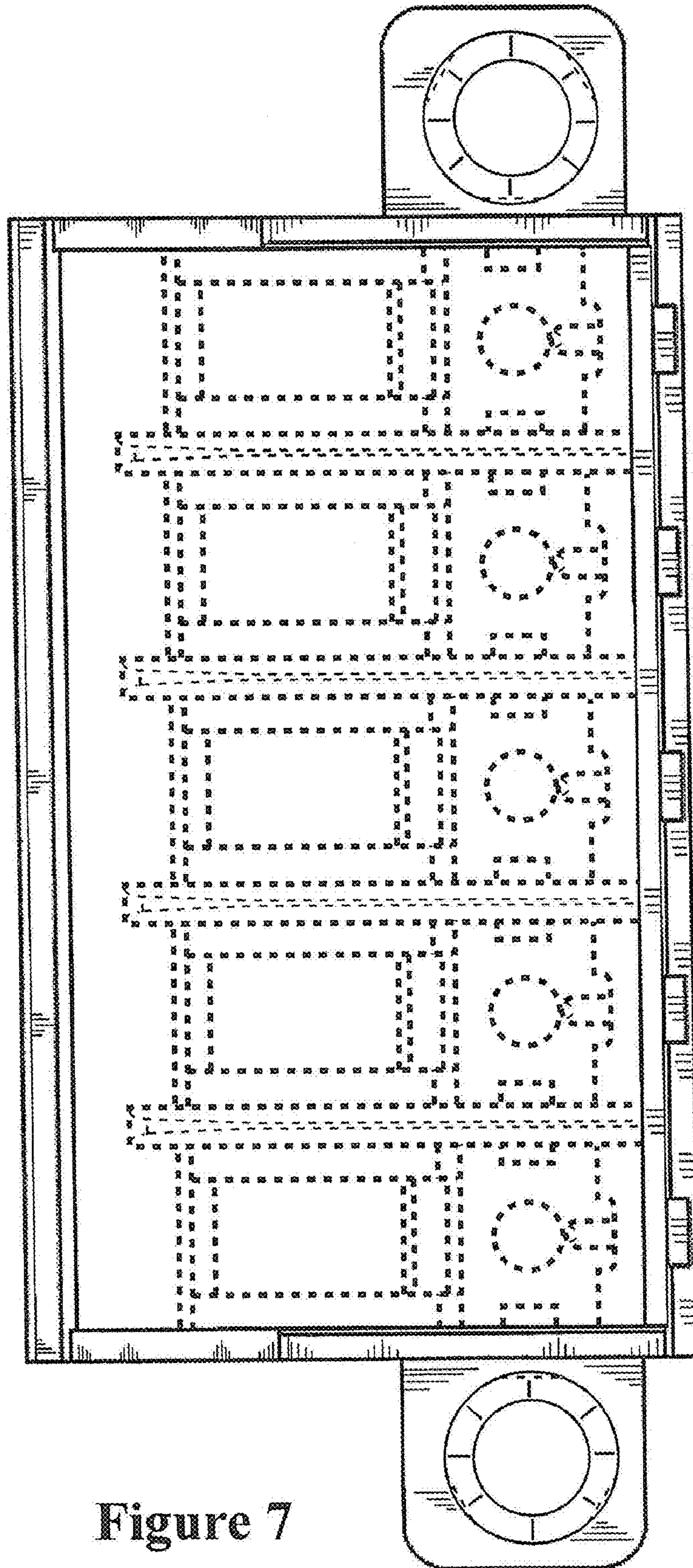


Figure 7