



US00D612808S

(12) **United States Design Patent**
Billerbeck

(10) **Patent No.:** **US D612,808 S**
(45) **Date of Patent:** **** Mar. 30, 2010**

(54) **MINIATURE HIGH VOLTAGE CONNECTOR ASSEMBLY**

(75) Inventor: **Martina Billerbeck**, Schieder
Schwalenberg (DE)

(73) Assignee: **Phoenix Contact GmbH & Co. KG**,
Blomberg (DE)

(**) Term: **14 Years**

(21) Appl. No.: **29/304,295**

(22) Filed: **Feb. 28, 2008**

(51) **LOC (9) Cl.** **13-03**

(52) **U.S. Cl.** **D13/147**

(58) **Field of Classification Search** D13/120,
D13/133, 146-147, 154, 184; 439/79, 83,
439/607-610, 681, 686, 793, 798, 810

See application file for complete search history.

(56) **References Cited**

U.S. PATENT DOCUMENTS

D475,973	S	*	6/2003	Xu et al.	D13/147
D576,561	S	*	9/2008	Kaluza	D13/162
7,534,151	B1	*	5/2009	Billerbeck	439/793
7,544,080	B2	*	6/2009	Giefers	439/352
2008/0119090	A1	*	5/2008	Giefers	439/681

* cited by examiner

Primary Examiner—Daniel D Bui

(74) *Attorney, Agent, or Firm*—Darby & Darby

(57) **CLAIM**

The ornamental design for a miniature high voltage connector assembly, as shown and described.

DESCRIPTION

FIG. 1 is a top, front, and right side perspective view of the miniature high voltage connector assembly in an assembled condition, showing my new design;

FIG. 2 is a top, front, and right side perspective view thereof, in exploded condition;

FIG. 3 is a top plan view thereof, in an assembled condition;

FIG. 4 is a bottom plan view thereof;

FIG. 5 is a left side elevational view thereof, the right side elevational view being a mirror image;

FIG. 6 is a rear elevational view thereof;

FIG. 7 is a front elevational view thereof;

FIG. 8 is a top, front, and right side perspective view of the male portion of a miniature high voltage connector assembly;

FIG. 9 is a top plan view thereof;

FIG. 10 is a bottom plan view thereof;

FIG. 11 is a left side elevational view thereof, the right side elevational view being a mirror image;

FIG. 12 is a rear elevational view thereof;

FIG. 13 is a top, front, and right side perspective view of the female portion of a miniature high voltage connector assembly;

FIG. 14 is a top plan view thereof;

FIG. 15 is a bottom plan view thereof;

FIG. 16 is a left side elevational view thereof, the right side elevational view being the mirror image; and,

FIG. 17 is a front elevational view thereof.

The broken line portion in the drawing views is included to show unclaimed subject matter only and forms no party of the claimed design.

1 Claim, 16 Drawing Sheets

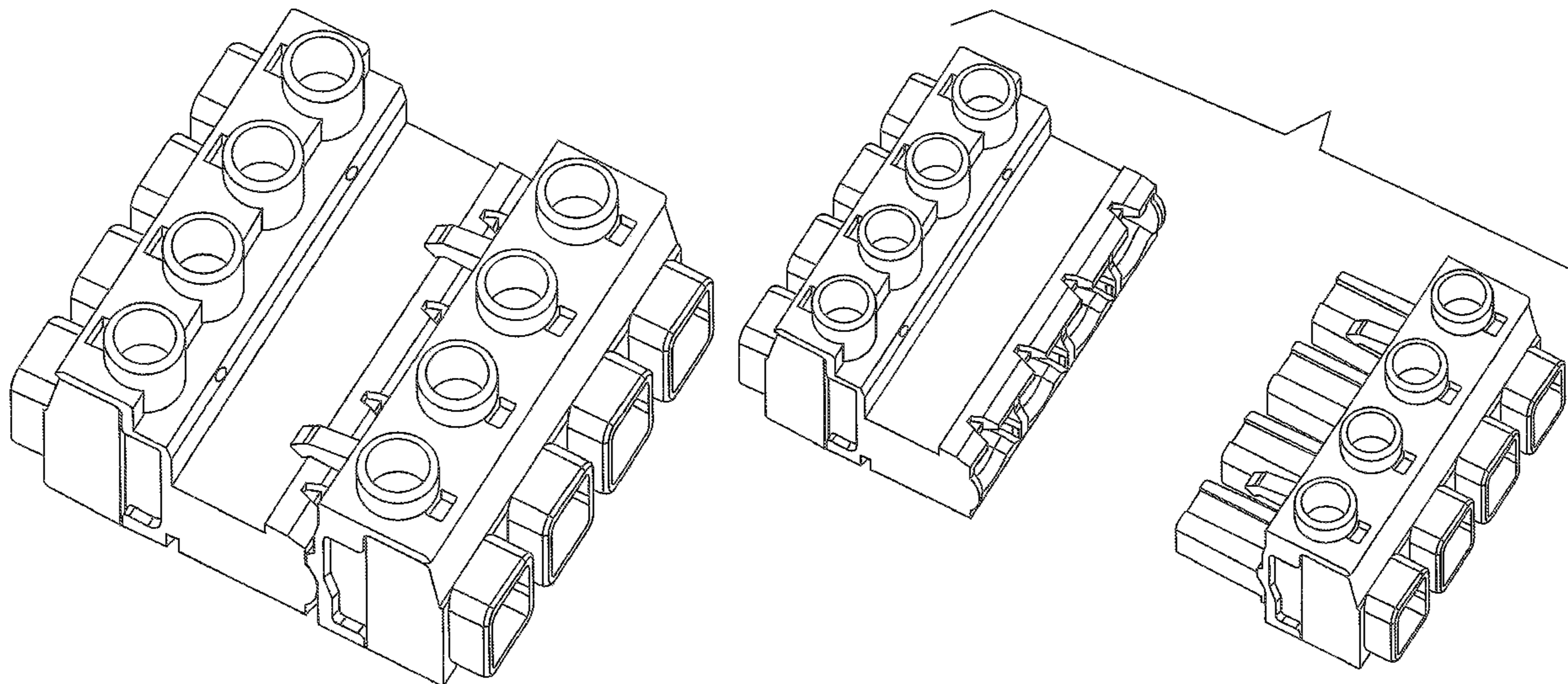


Fig. 1

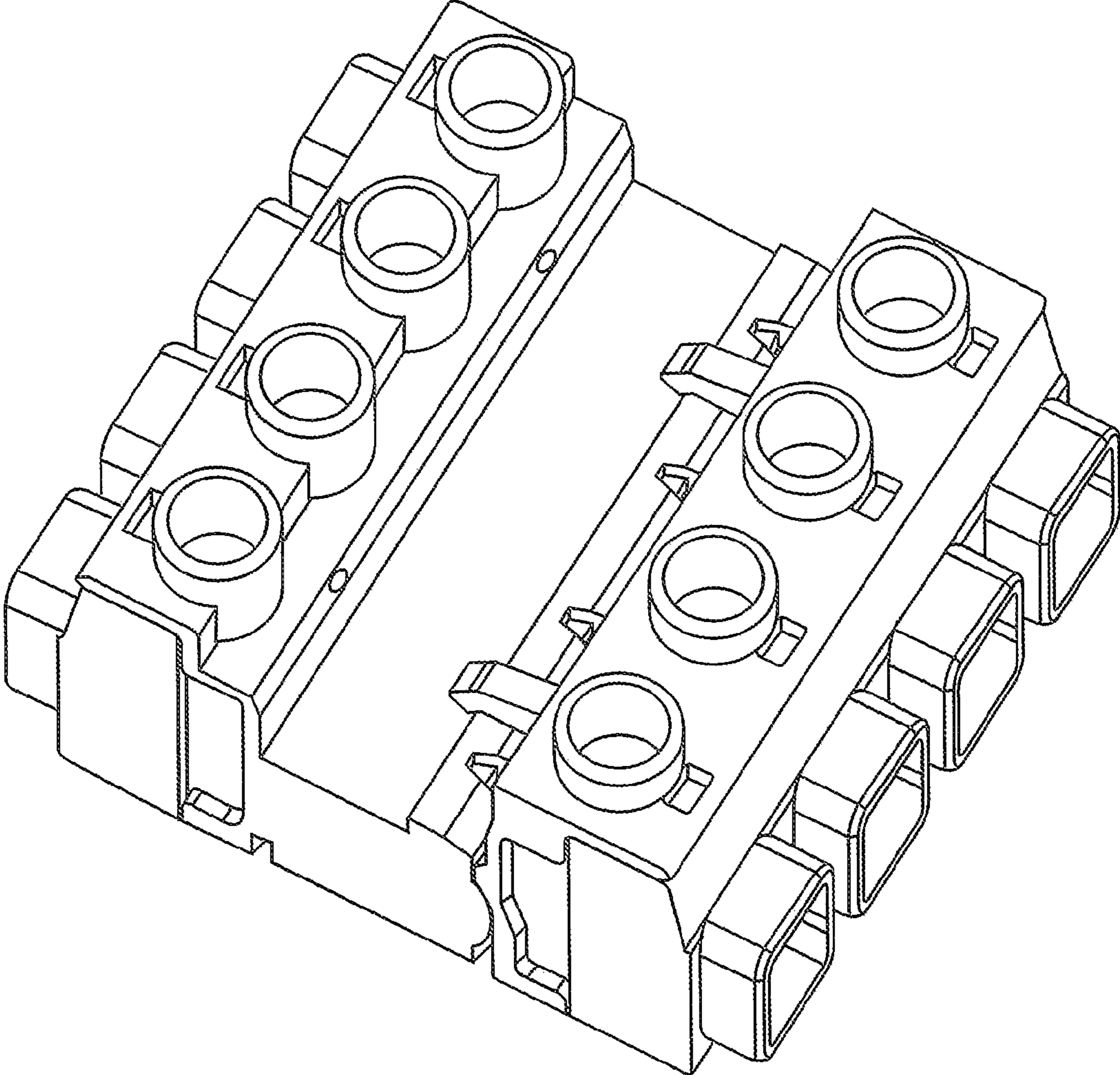


Fig. 2

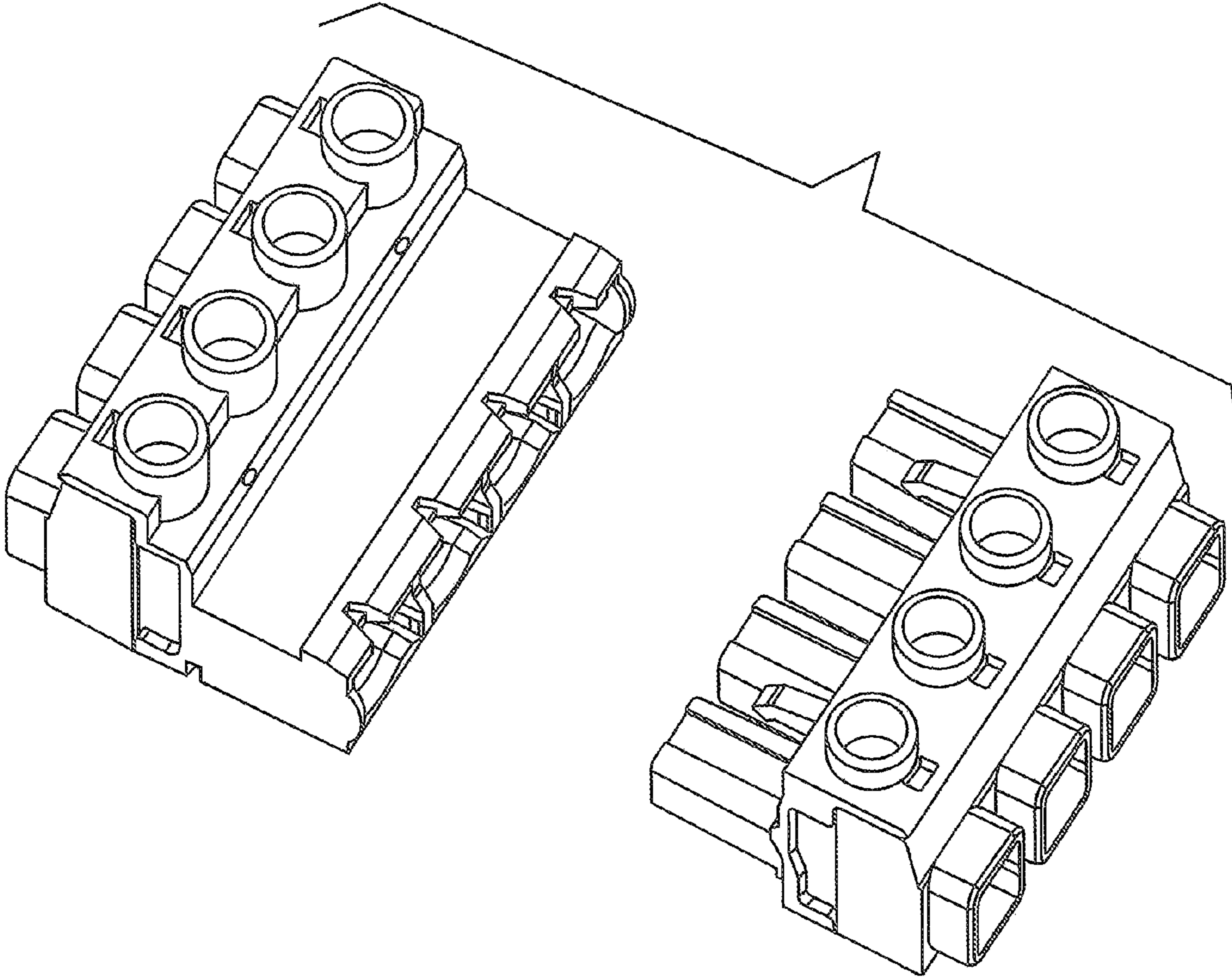


Fig. 3

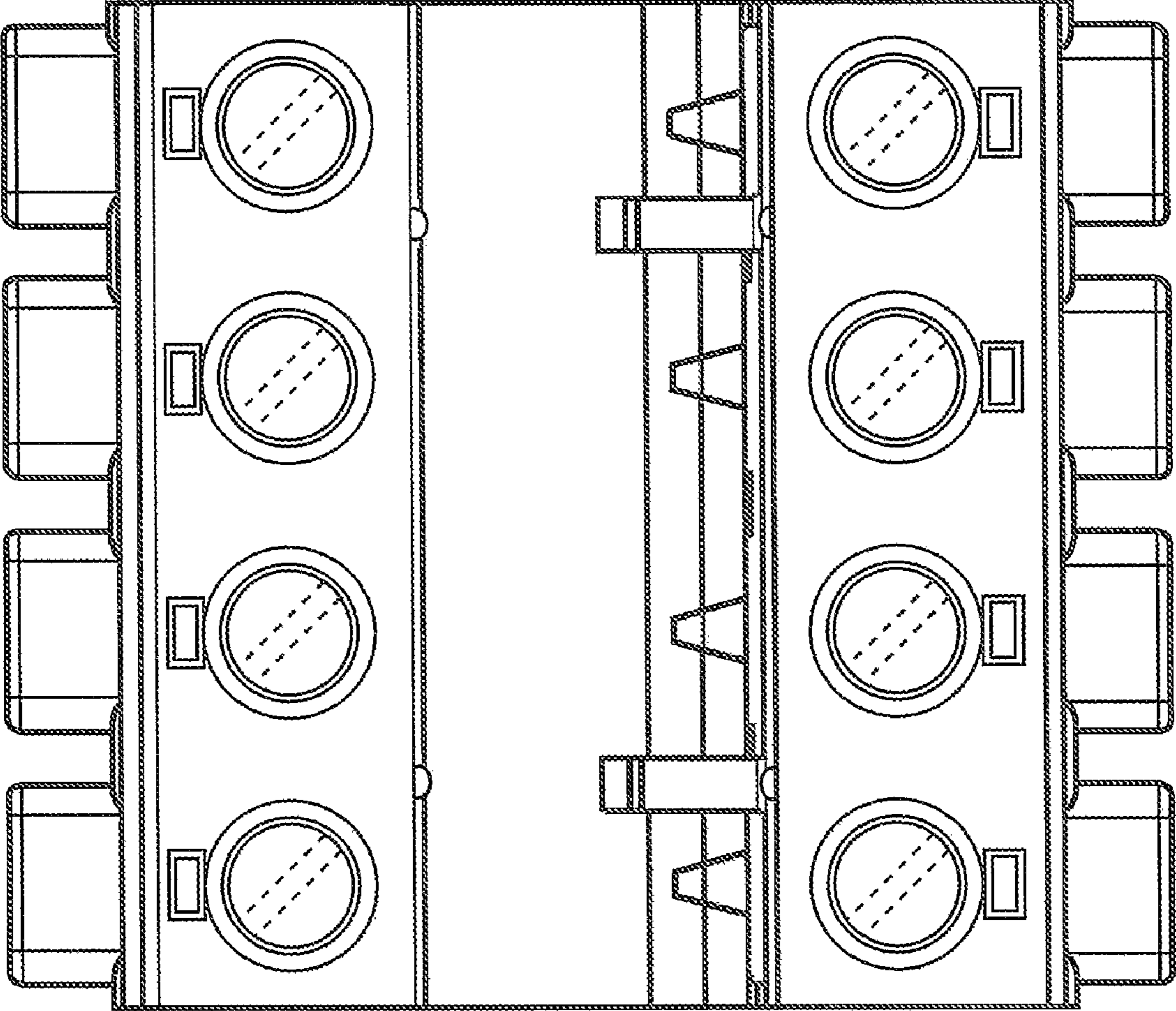


Fig. 4

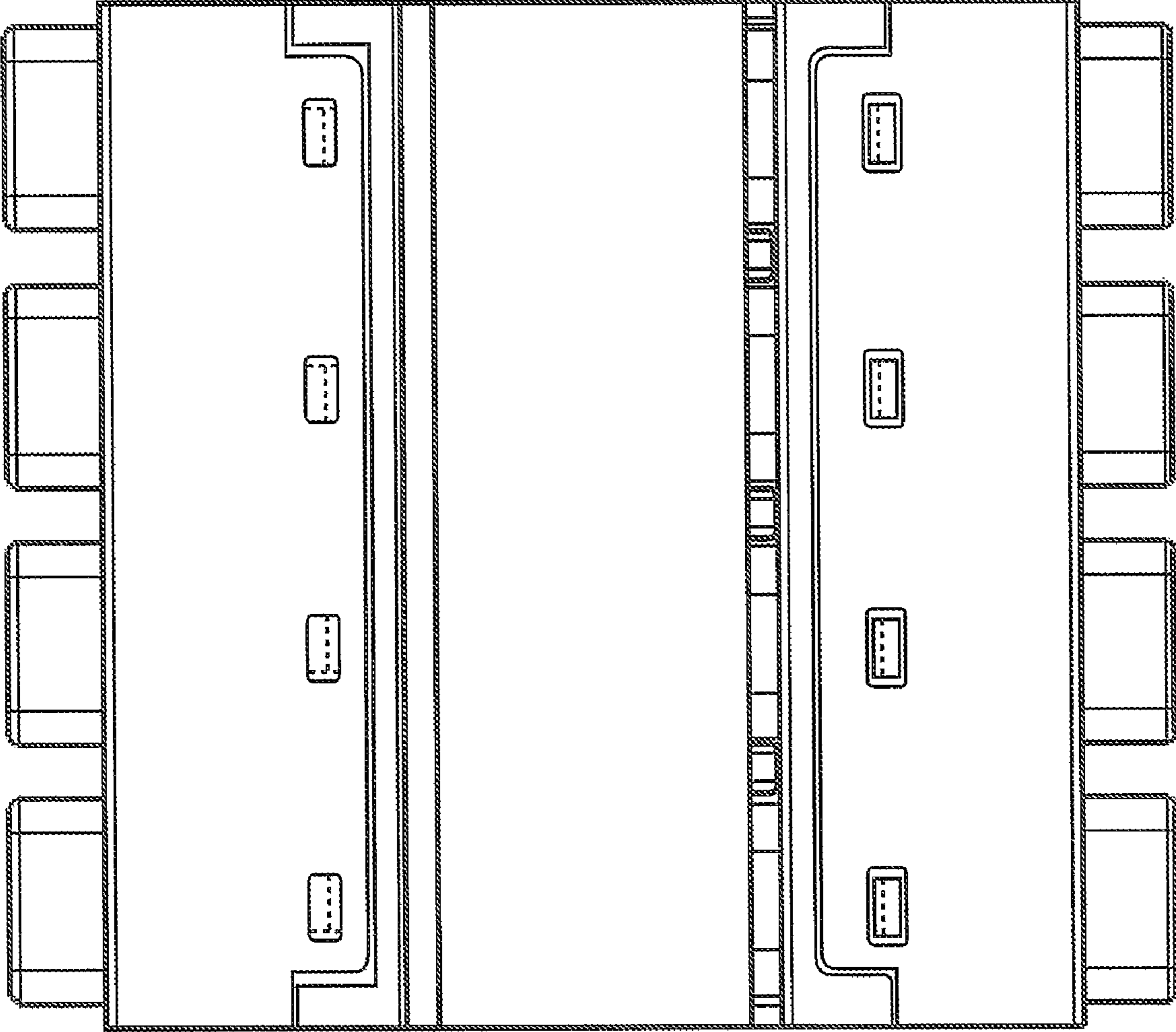


Fig. 5

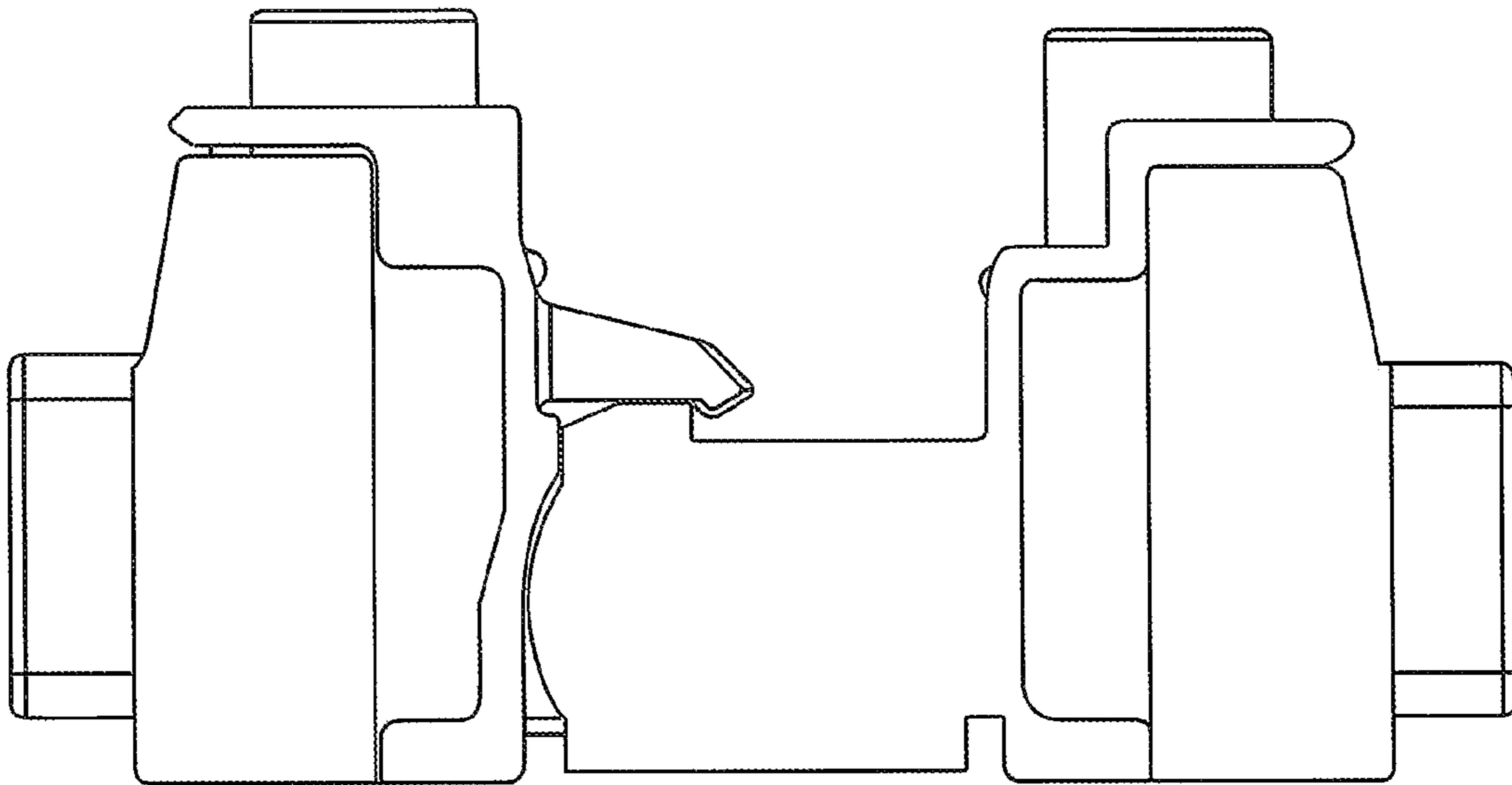


Fig. 6

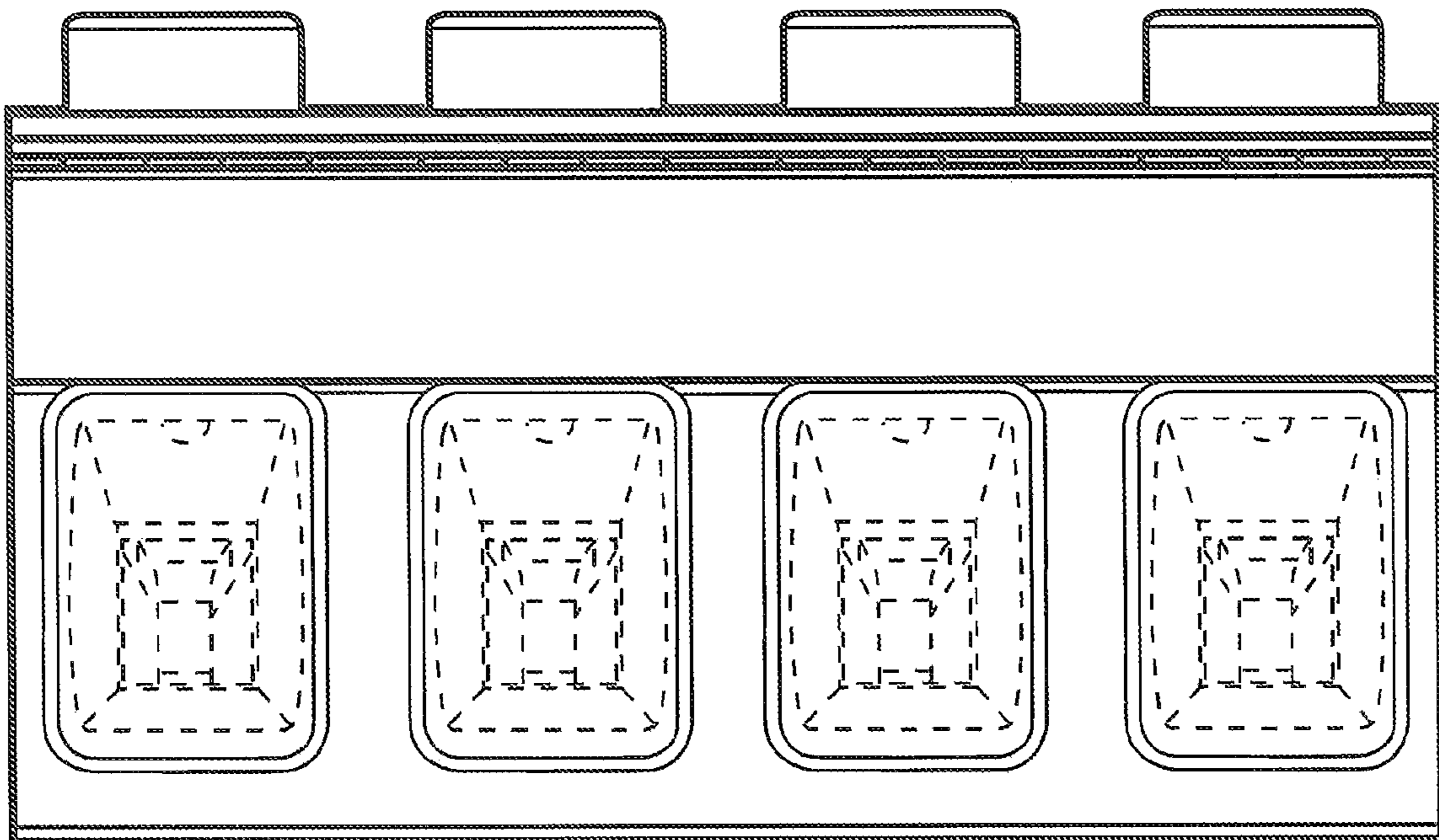


Fig. 7

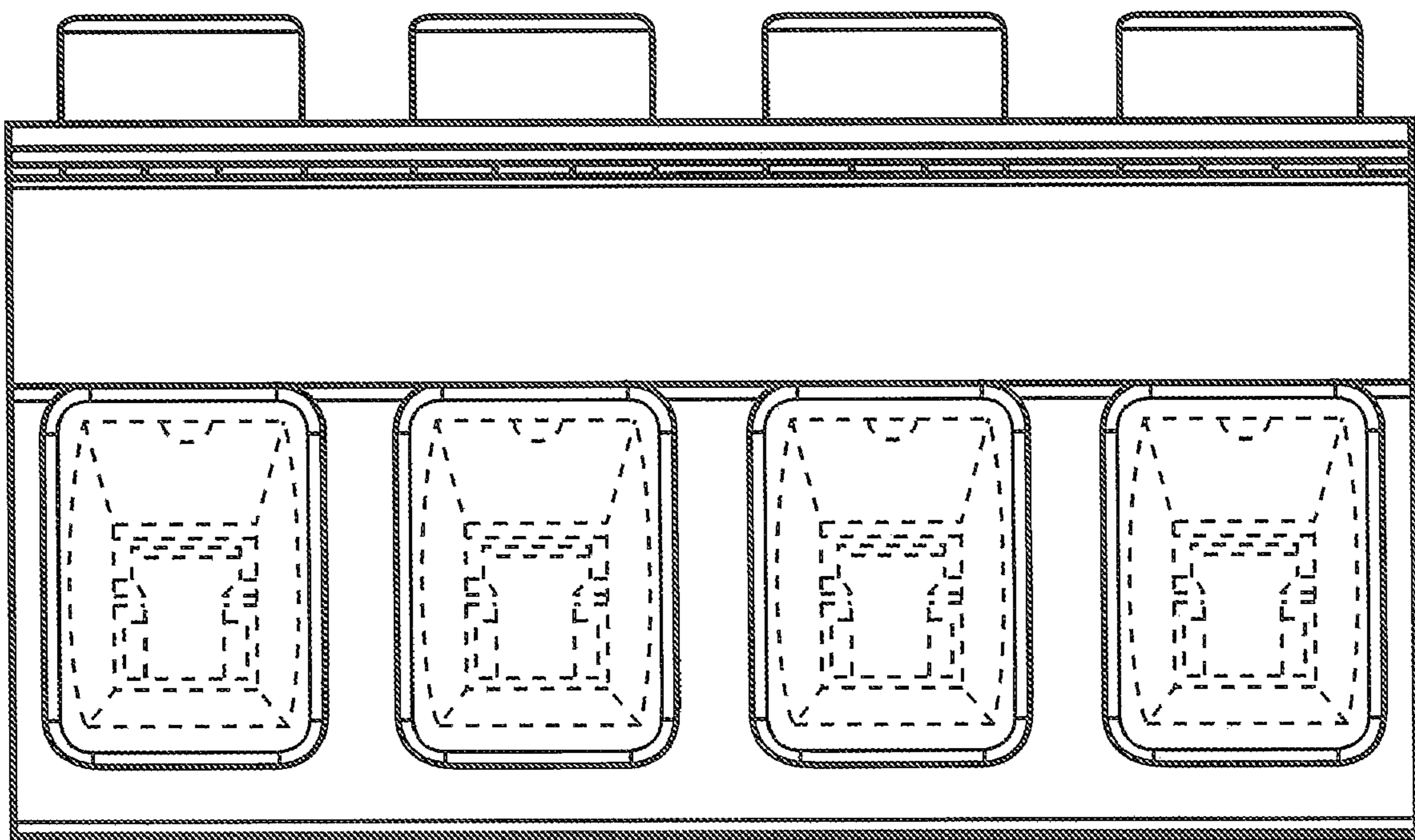


Fig. 8

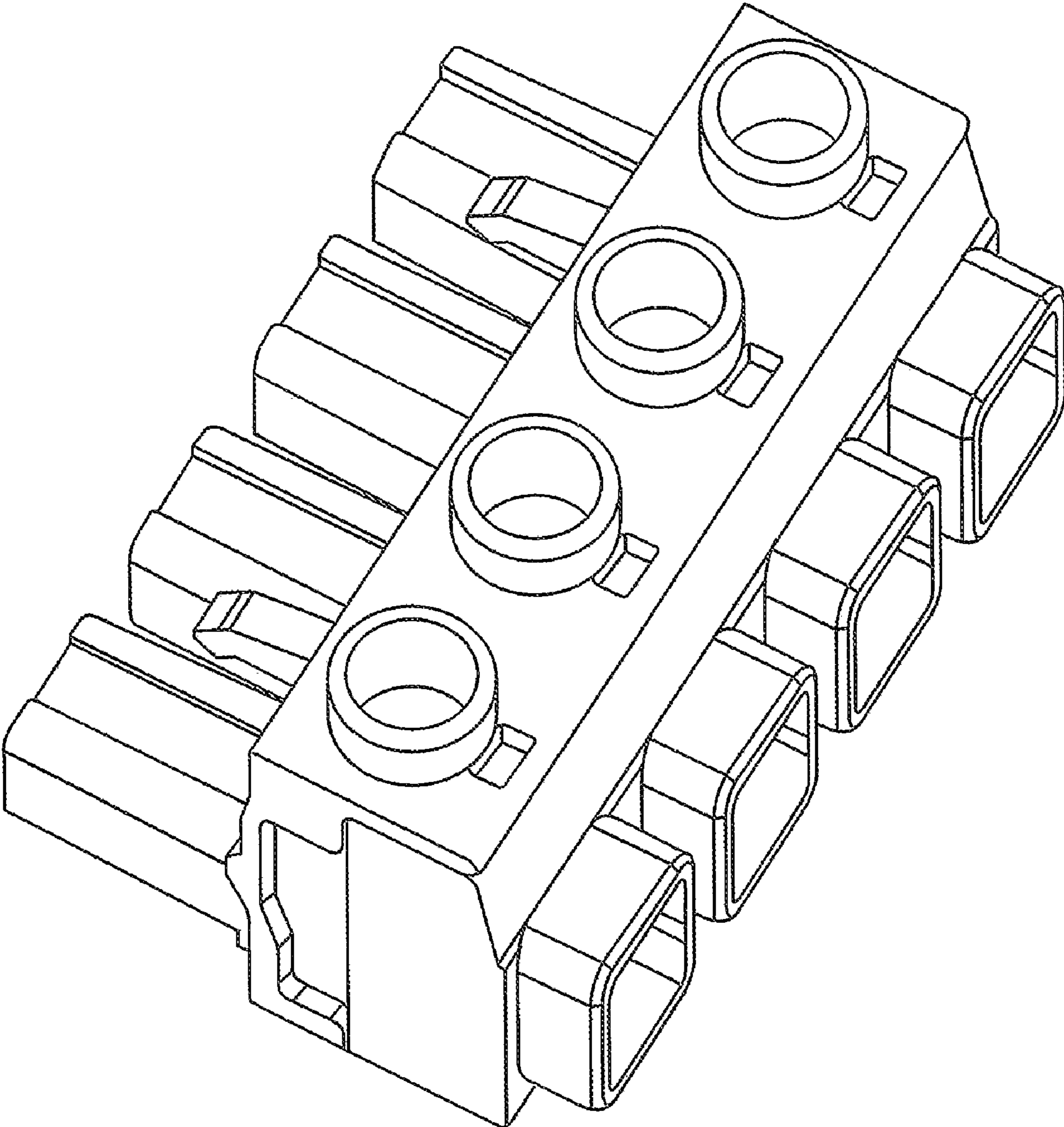


Fig. 9

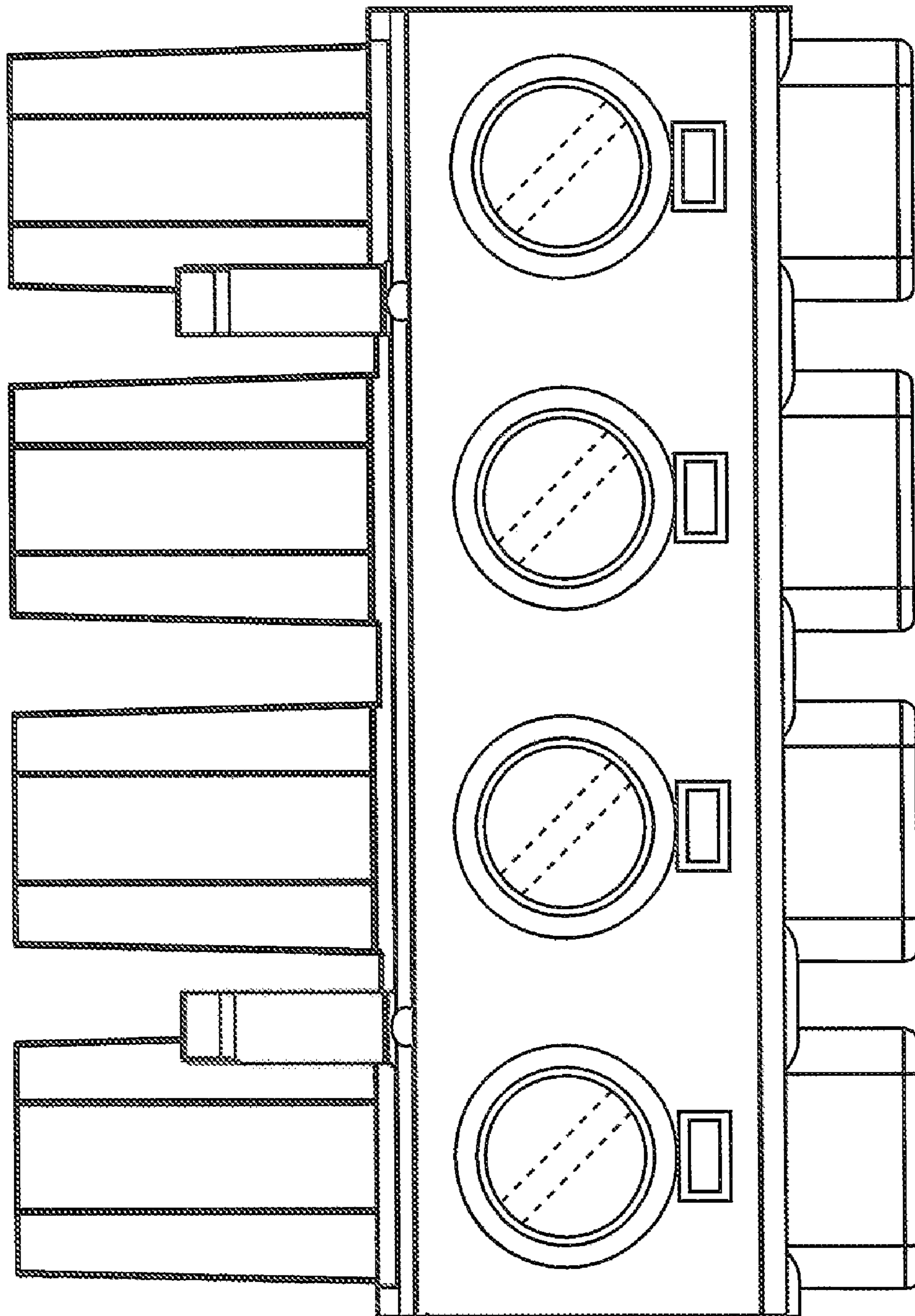


Fig. 10

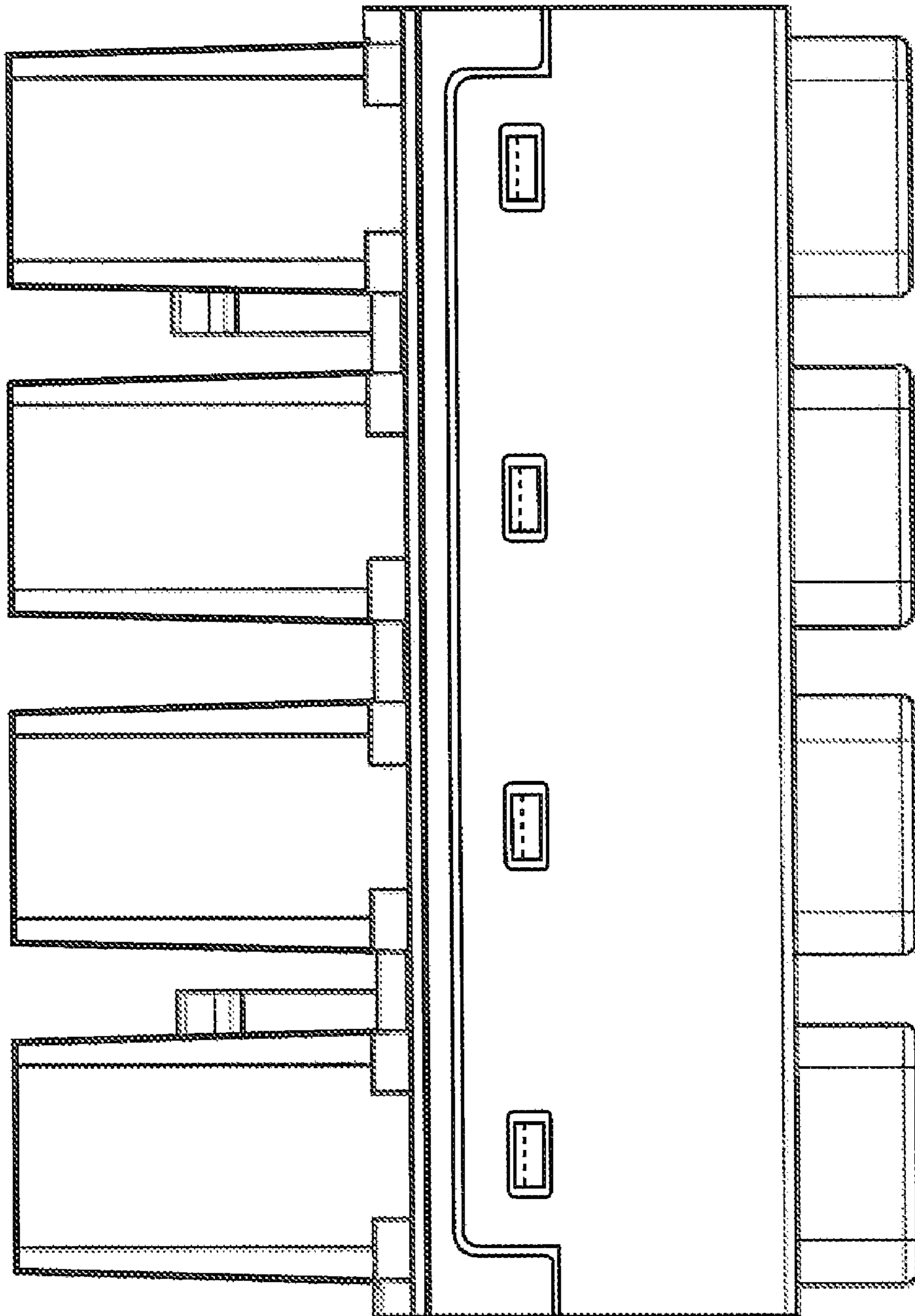


Fig. 11

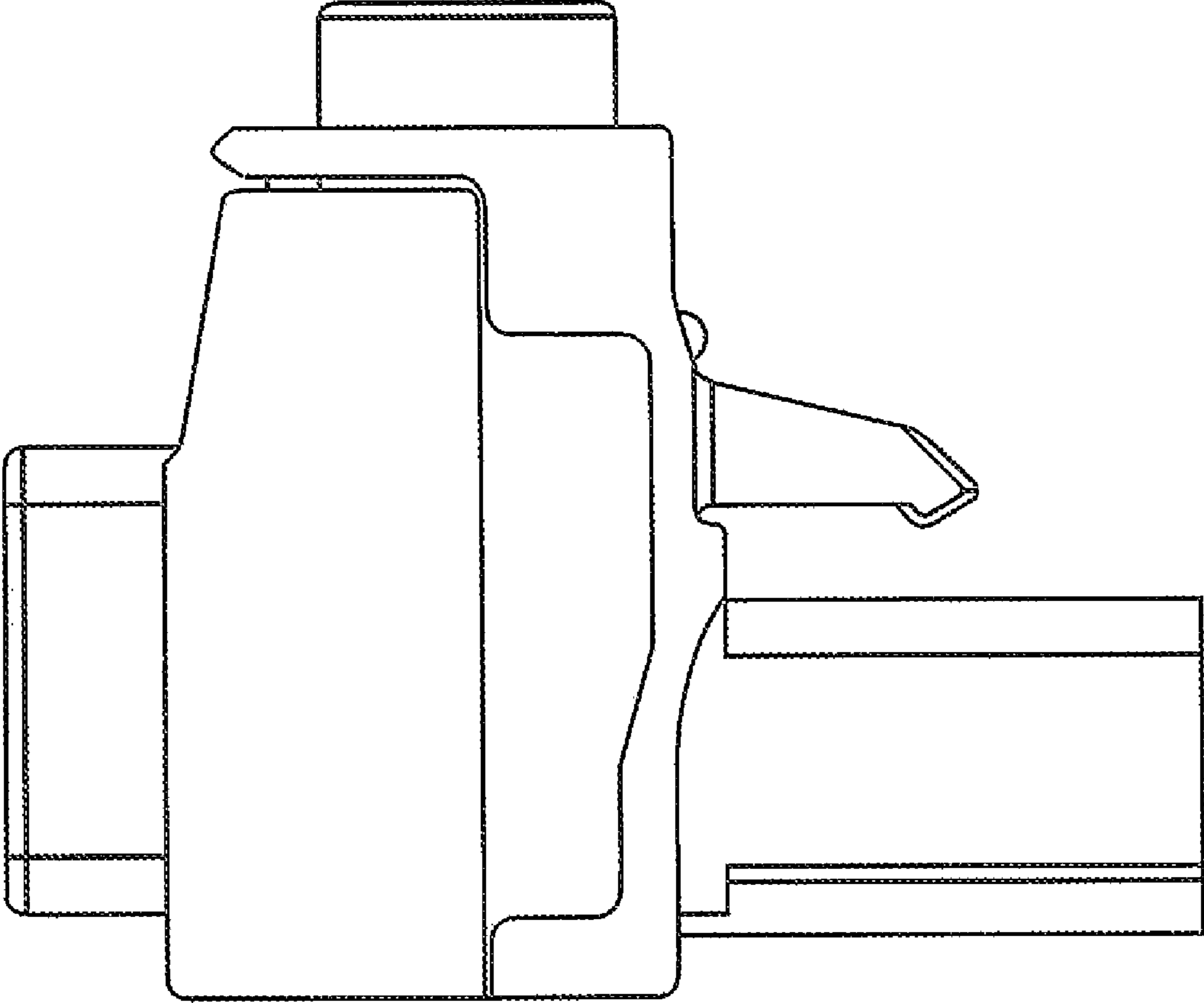


Fig. 12

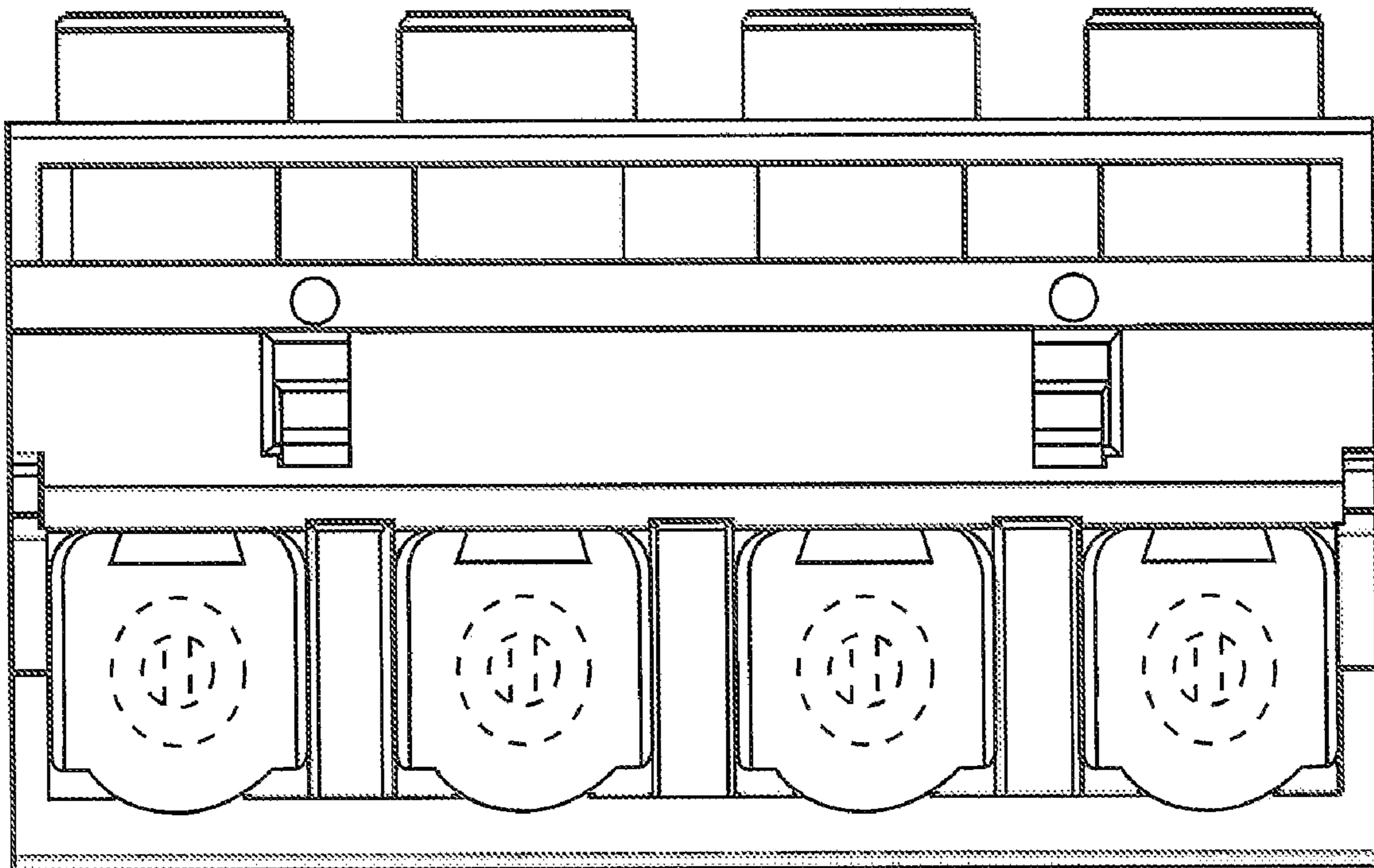


Fig. 13

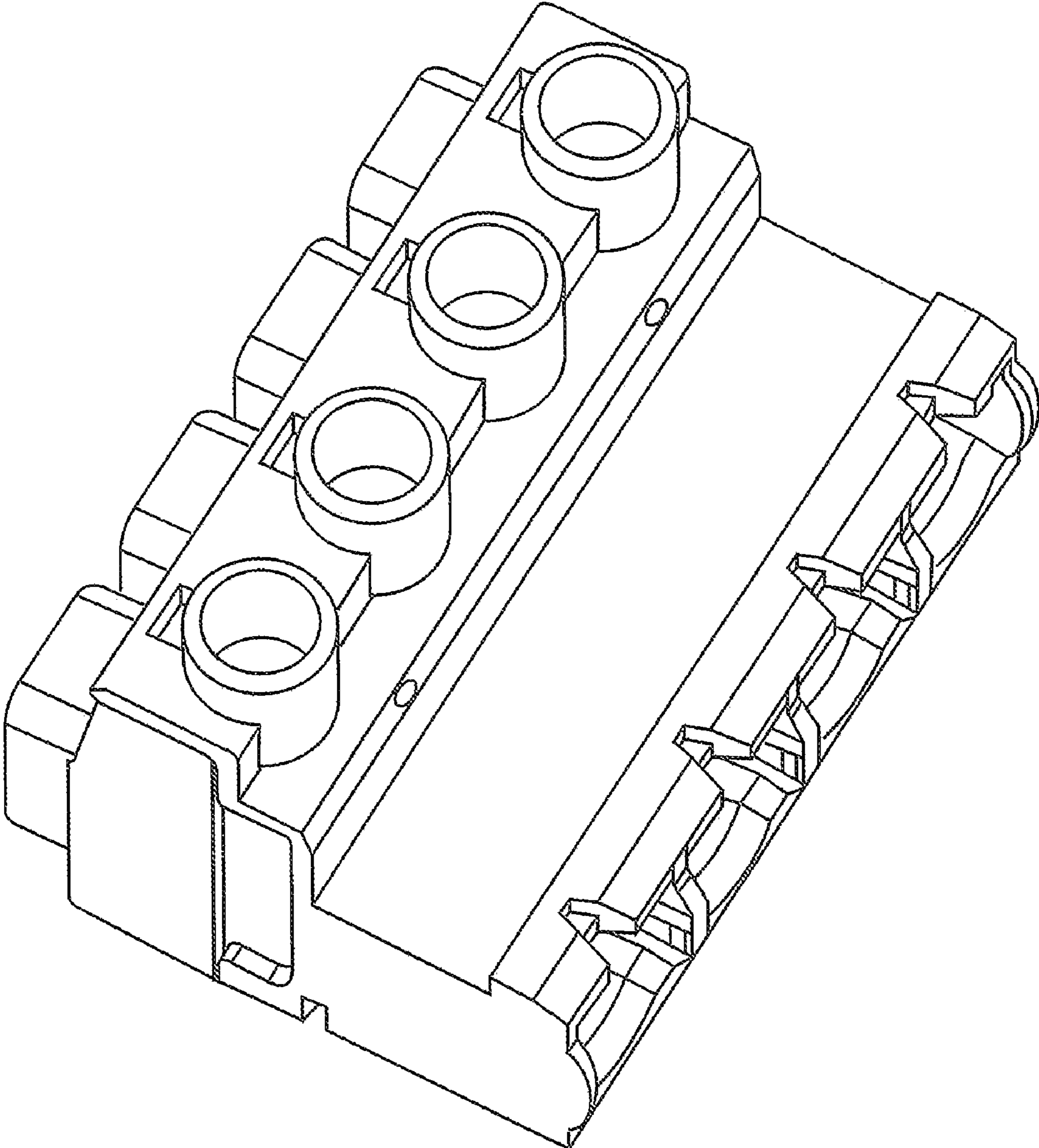


Fig. 14

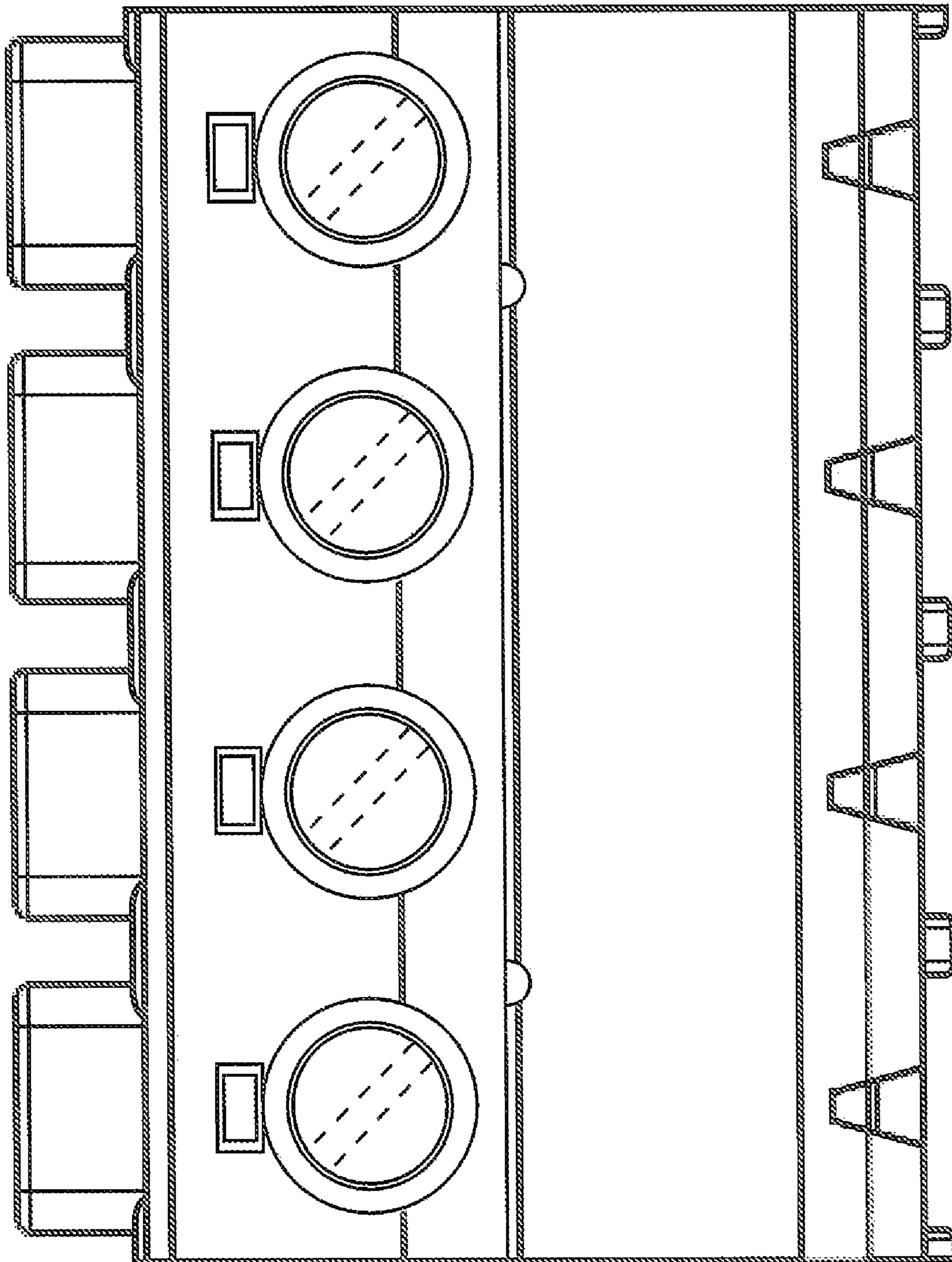


Fig. 15

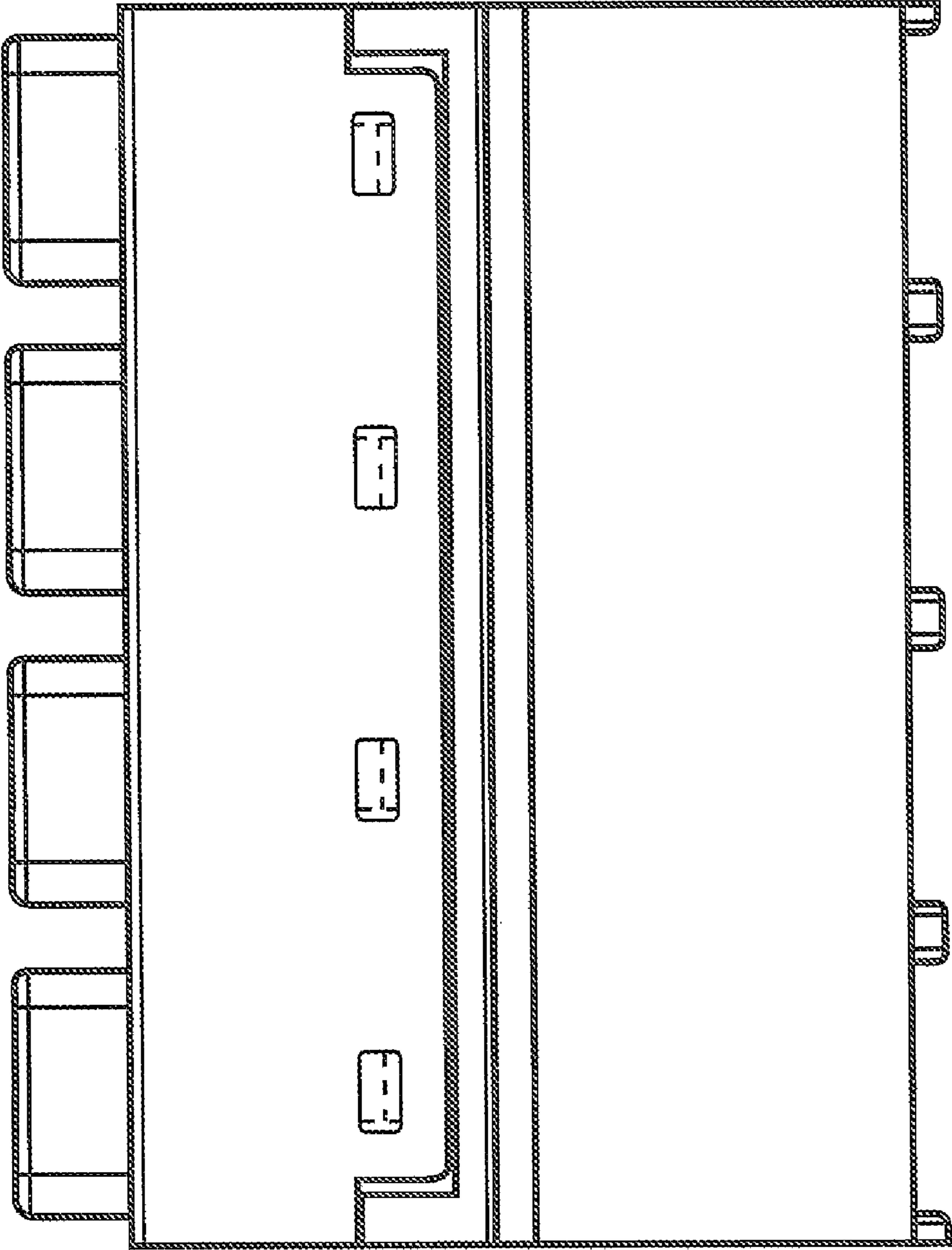


Fig. 16

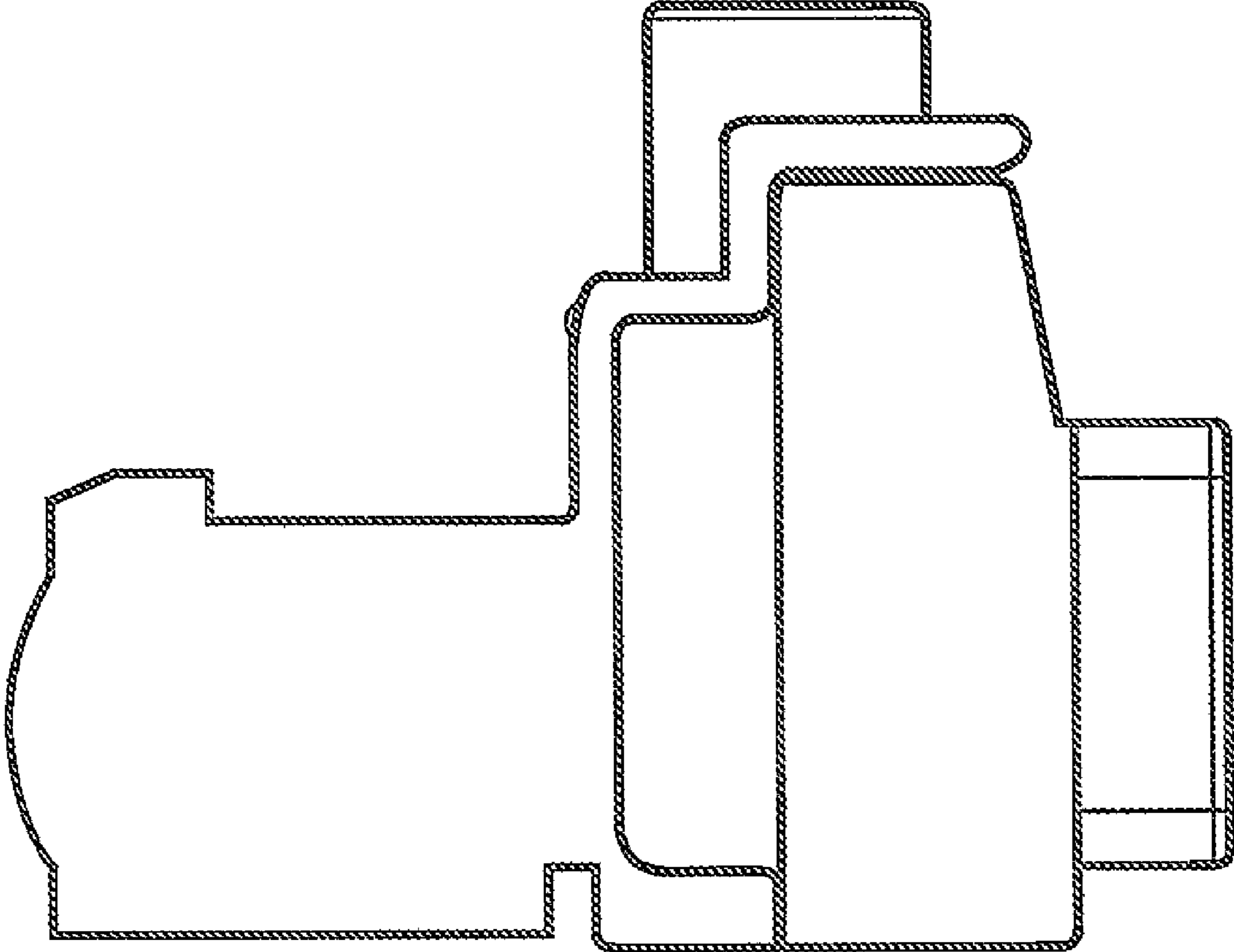


Fig. 17

