



US00D612807S

(12) **United States Design Patent**
Mancini et al.

(10) **Patent No.:** **US D612,807 S**
(45) **Date of Patent:** **** Mar. 30, 2010**

(54) **DUAL POLE POWER CONNECTOR WITH SQUARE KEY CENTER SECTION**

(75) Inventors: **Danna A Mancini**, Worcester, MA (US);
Allyssa M Skidmore, Fitchburg, MA (US);
Craig H Baker, Shrewsbury, MA (US)

(73) Assignee: **Anderson Power Products, Inc.**,
Sterling, MA (US)

(**) Term: **14 Years**

(21) Appl. No.: **29/306,090**

(22) Filed: **Apr. 2, 2008**

(51) **LOC (9) Cl.** **13-03**

(52) **U.S. Cl.** **D13/133**

(58) **Field of Classification Search** D13/133,
D13/146-147, 154, 184; 439/278, 282, 290-293,
439/328, 483, 592-593, 680

See application file for complete search history.

(56) **References Cited**

U.S. PATENT DOCUMENTS

3,654,586	A *	4/1972	Winkler	439/295
3,794,957	A *	2/1974	Winkler	439/295
3,909,099	A *	9/1975	Winkler	439/295
4,990,099	A *	2/1991	Marin et al.	439/284
6,089,898	A *	7/2000	Lincoln et al.	439/357
6,923,685	B2 *	8/2005	Holmes et al.	439/660
D512,687	S	12/2005	Baker et al.	
6,994,595	B2	2/2006	Baker et al.	
D519,924	S	5/2006	Baker et al.	
7,108,534	B2 *	9/2006	Fabian	439/284
2004/0171309	A1 *	9/2004	Baker et al.	439/680

* cited by examiner

Primary Examiner—Nanda Bondade

(74) *Attorney, Agent, or Firm*—Vern Maine & Associates

(57) **CLAIM**

The ornamental design for a dual pole power connector with square key center section, as shown and described.

DESCRIPTION

FIG. 1 is a top, front, and right side perspective view of the first embodiment dual pole power connector with square key center section showing our new design;

FIG. 2 is a front elevation view thereof;

FIG. 3 is a bottom plan view thereof;

FIG. 4 is a top plan view thereof;

FIG. 5 is a left side elevation view thereof;

FIG. 6 is a right side elevation view thereof;

FIG. 7 is a back elevation view thereof;

FIG. 8 is a bottom, rear, and left side perspective view of the first embodiment dual pole power connector with square key center section showing our new design;

FIG. 9 is a top, front, and right side perspective view of the second embodiment dual pole power connector with square key center section, showing our new design;

FIG. 10 is a front elevation view thereof;

FIG. 11 is a bottom plan view thereof;

FIG. 12 is a left side elevation view thereof;

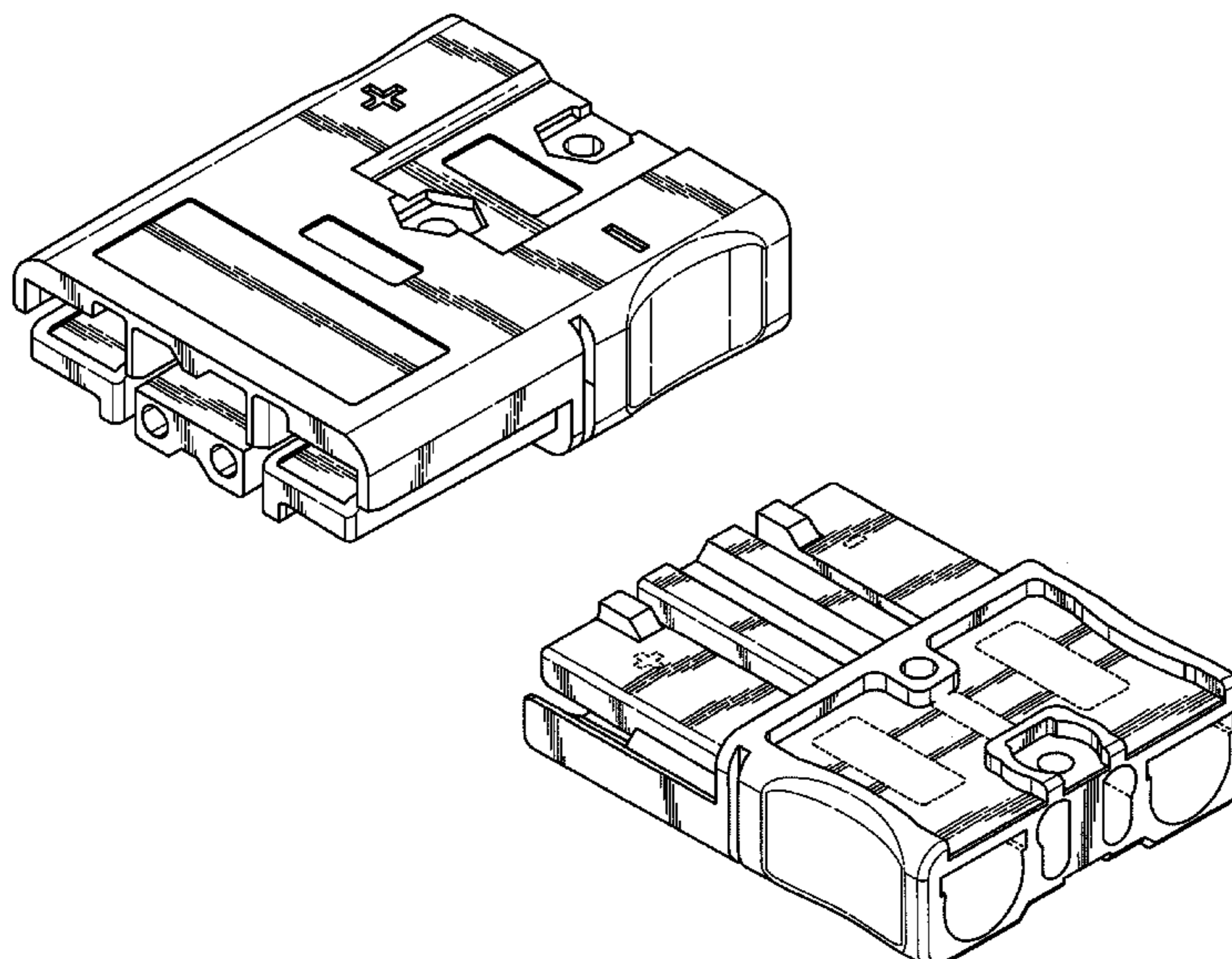
FIG. 13 is a right side elevation view thereof; and,

FIG. 14 is a bottom, rear, and left side perspective view of the second embodiment dual pole power connector with square key center section showing our new design.

The top and back views of the second, embodiment are the same as those for the first embodiment; and

The broken line showing on the drawing disclosure is for illustrative purposes only and forms no part of the claimed design.

1 Claim, 14 Drawing Sheets



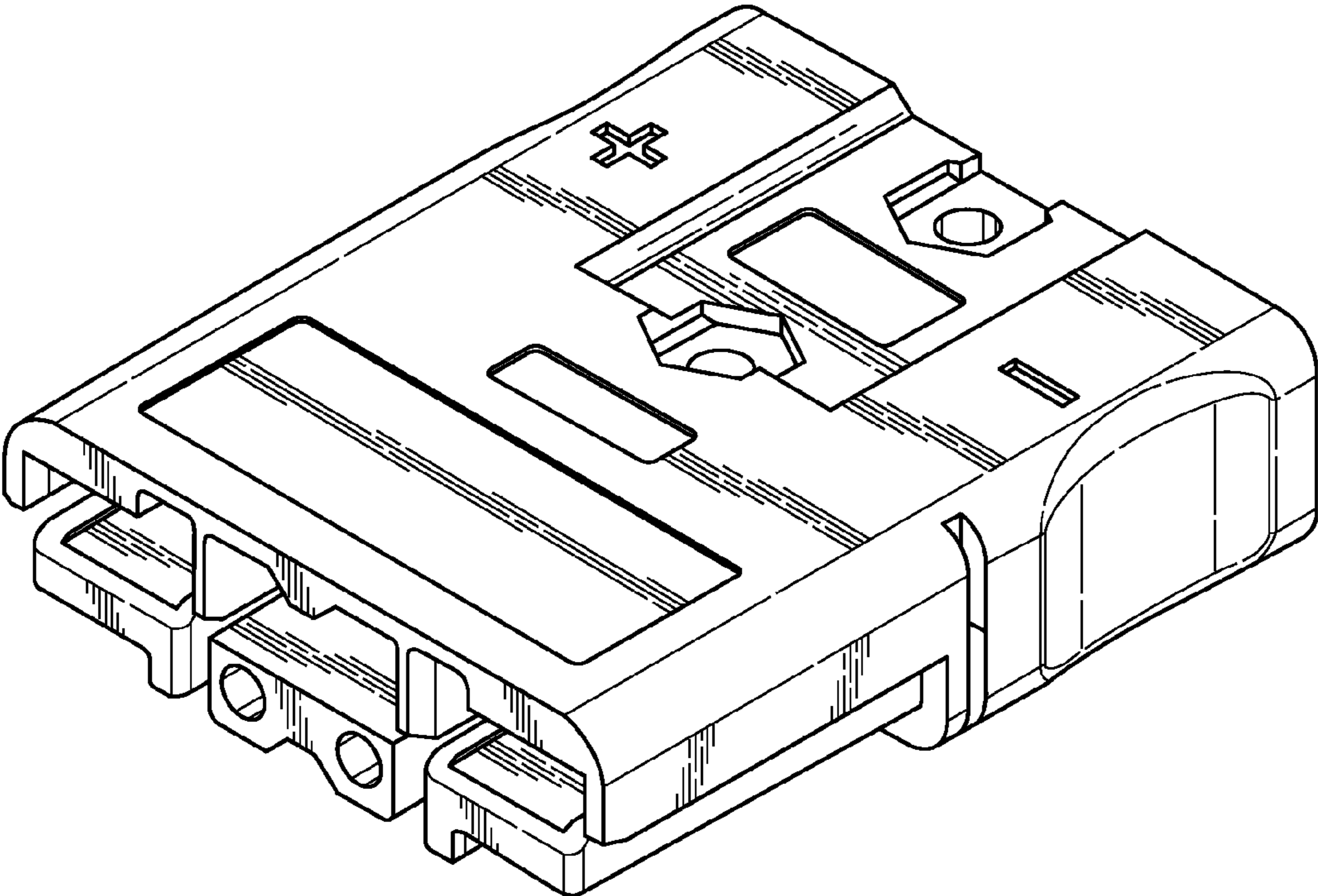


FIG. 1

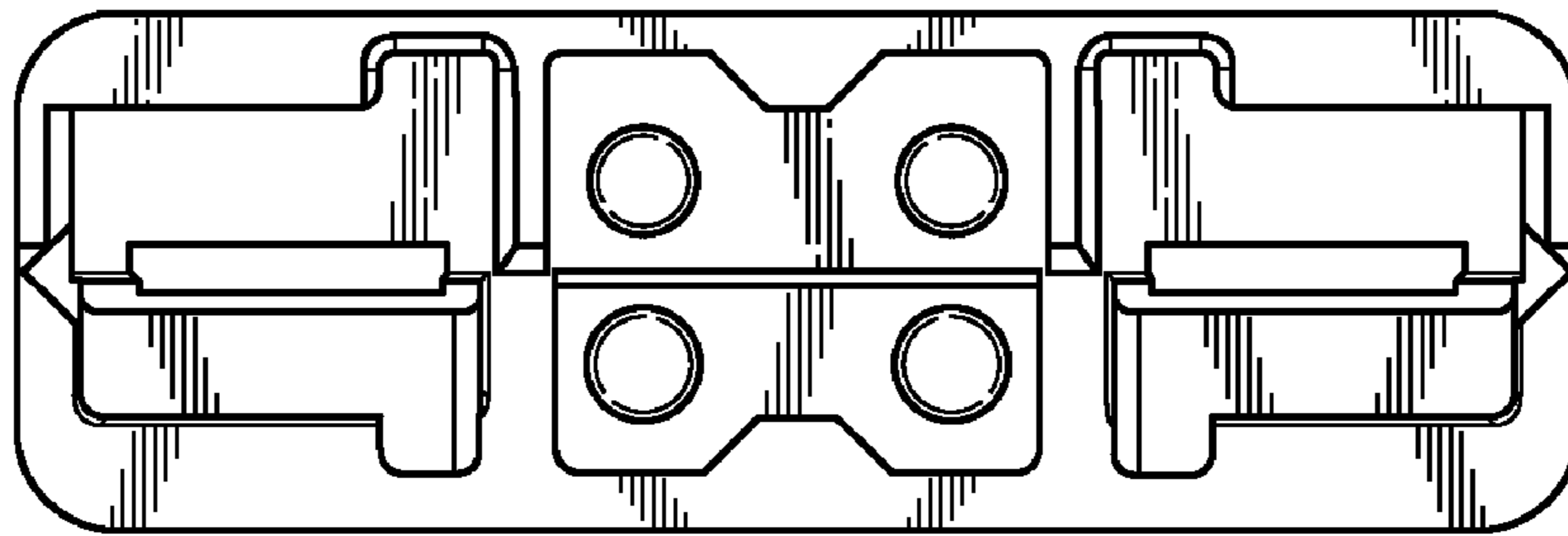


FIG. 2

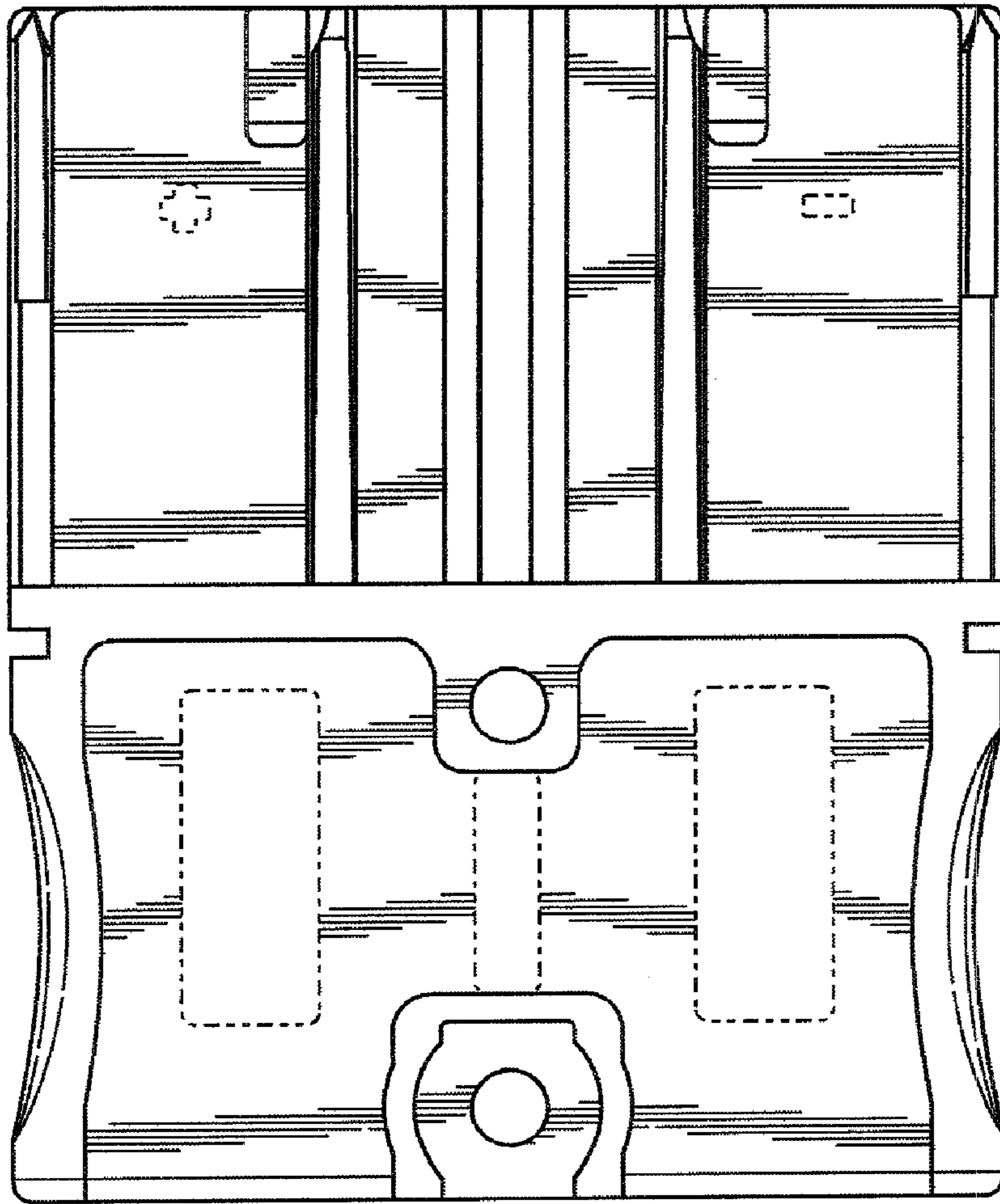


FIG. 3

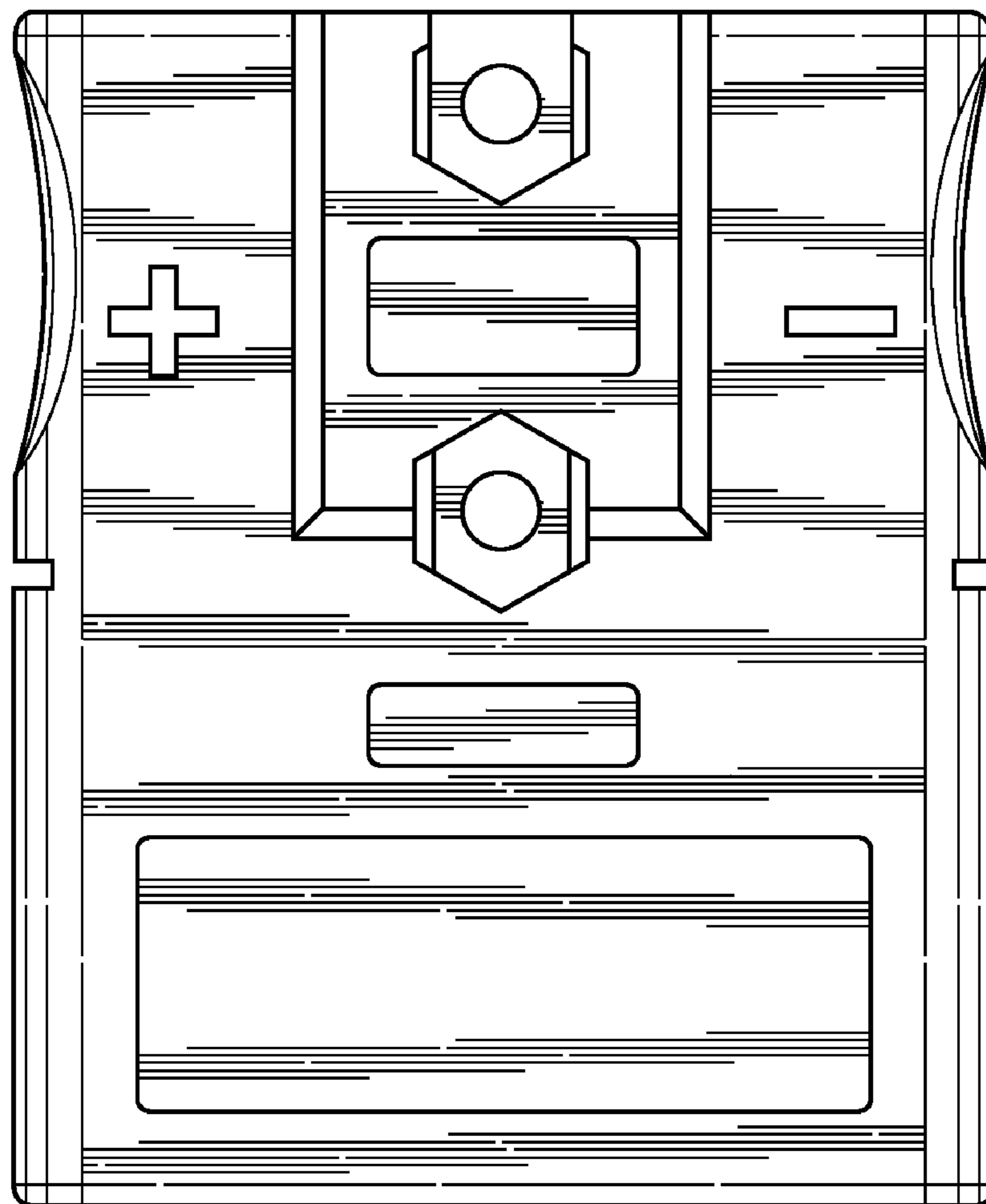


FIG. 4

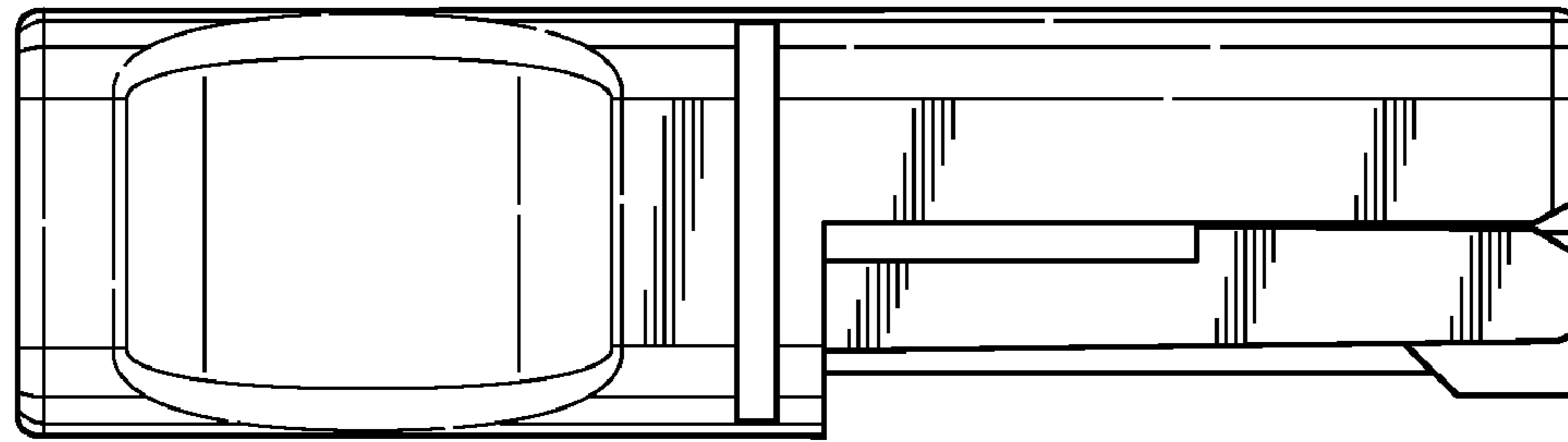


FIG. 5

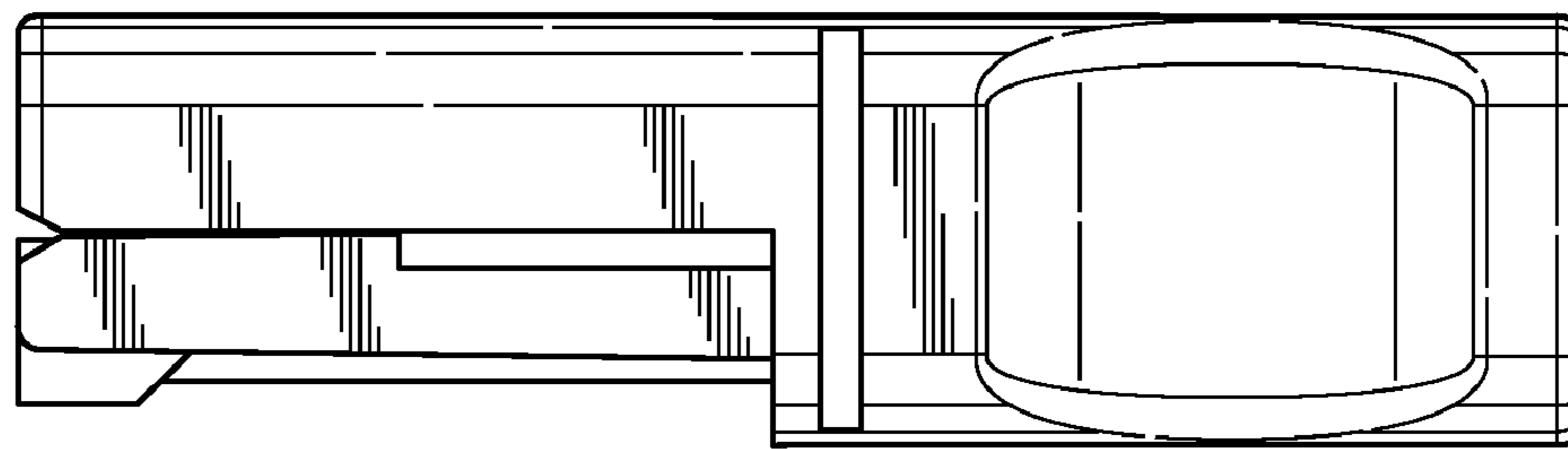


FIG. 6

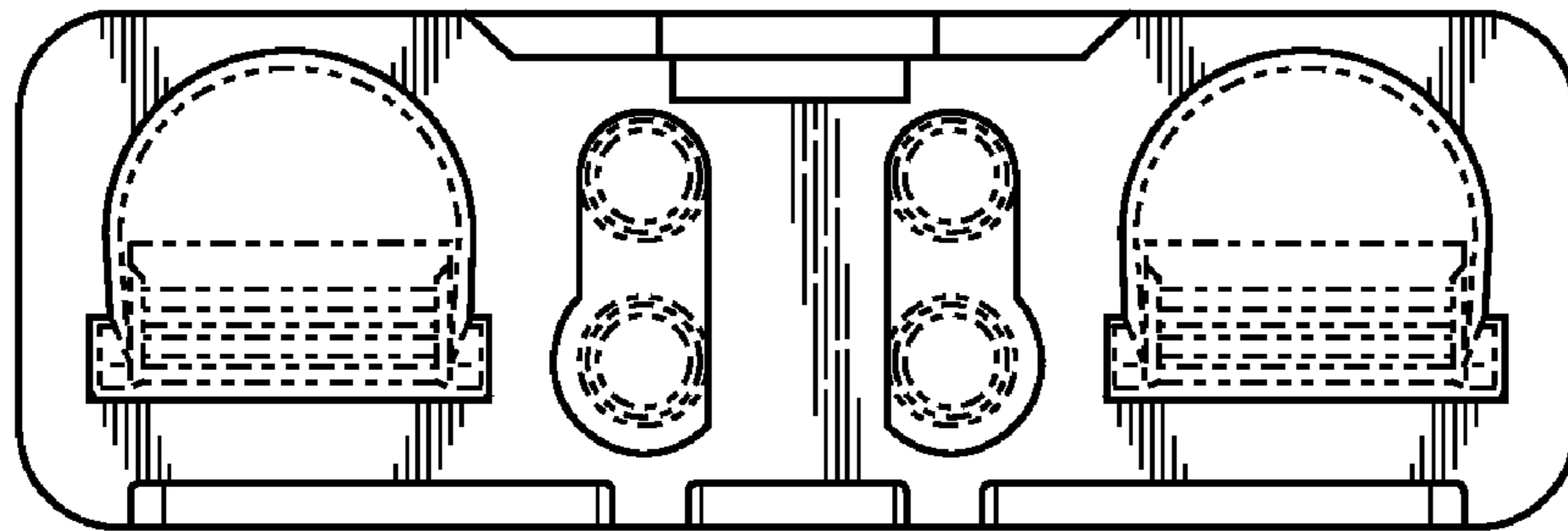


FIG. 7

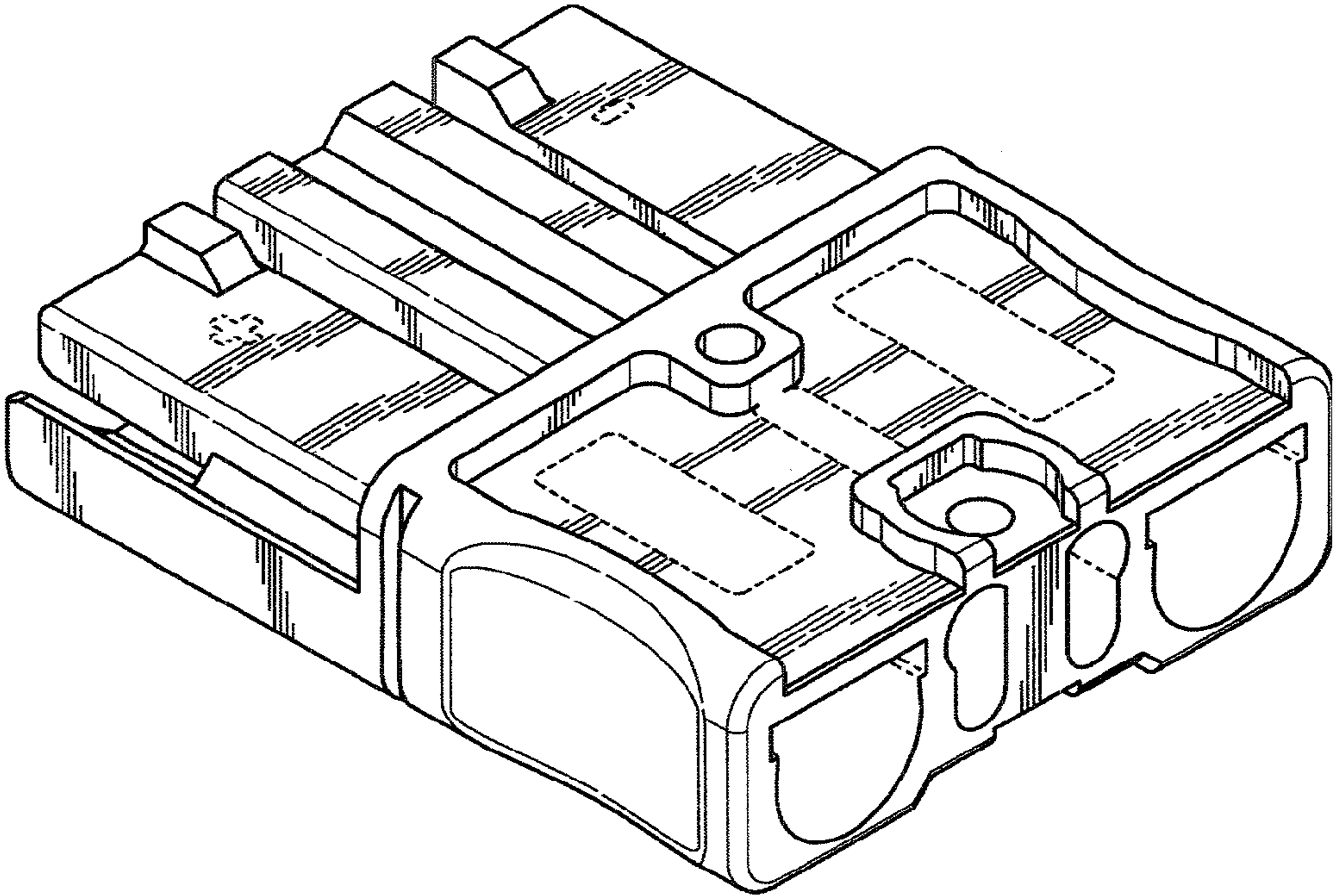


FIG. 8

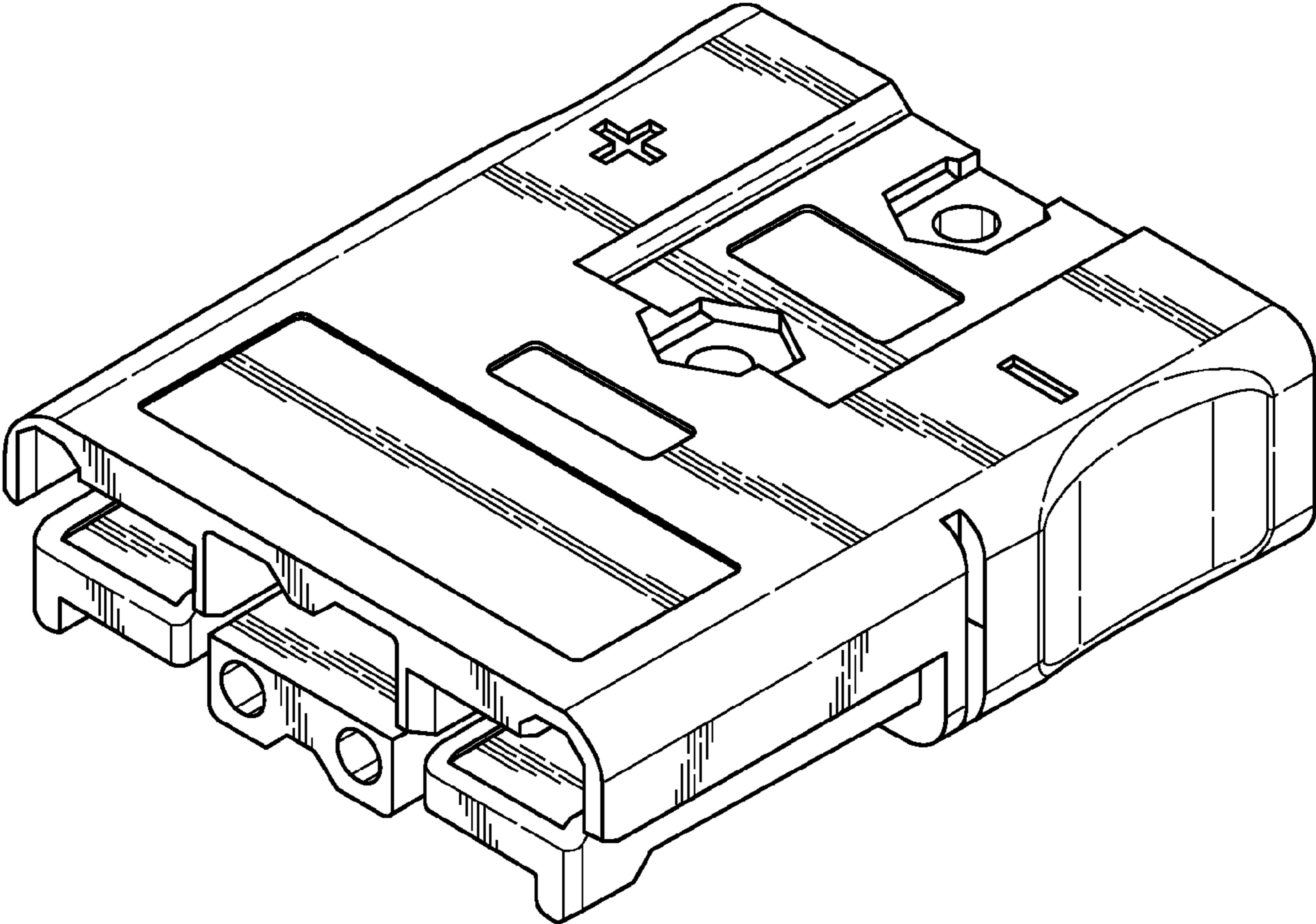


FIG. 9

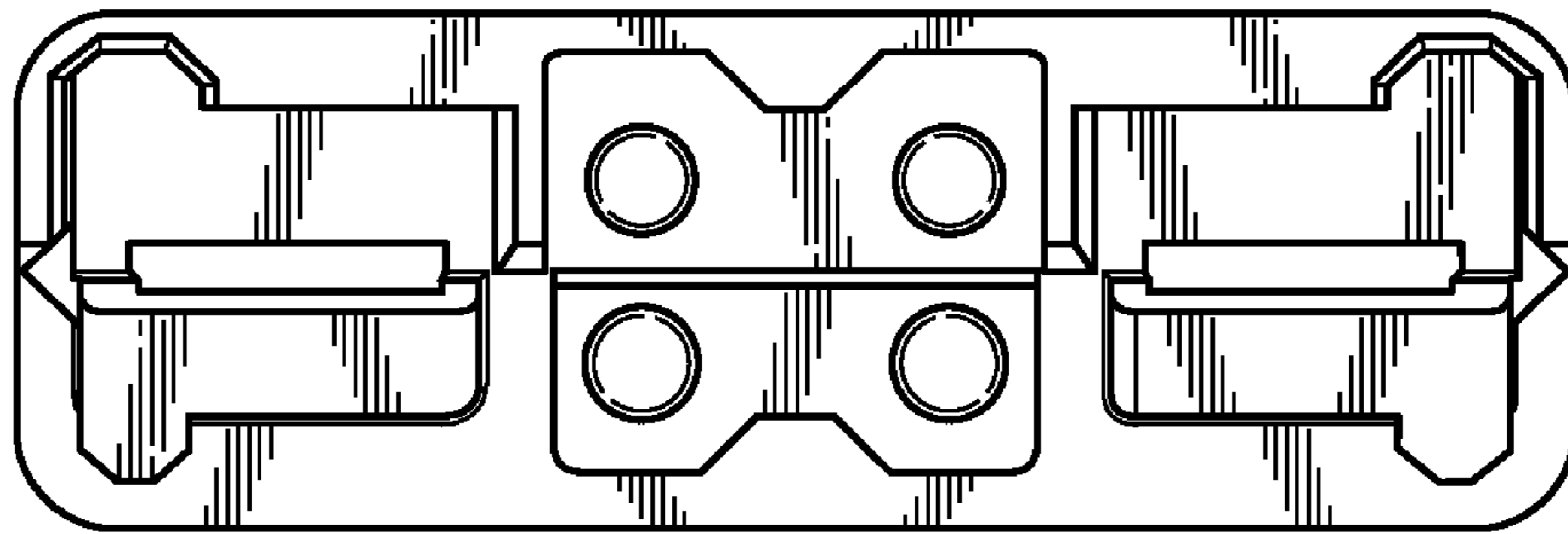


FIG. 10

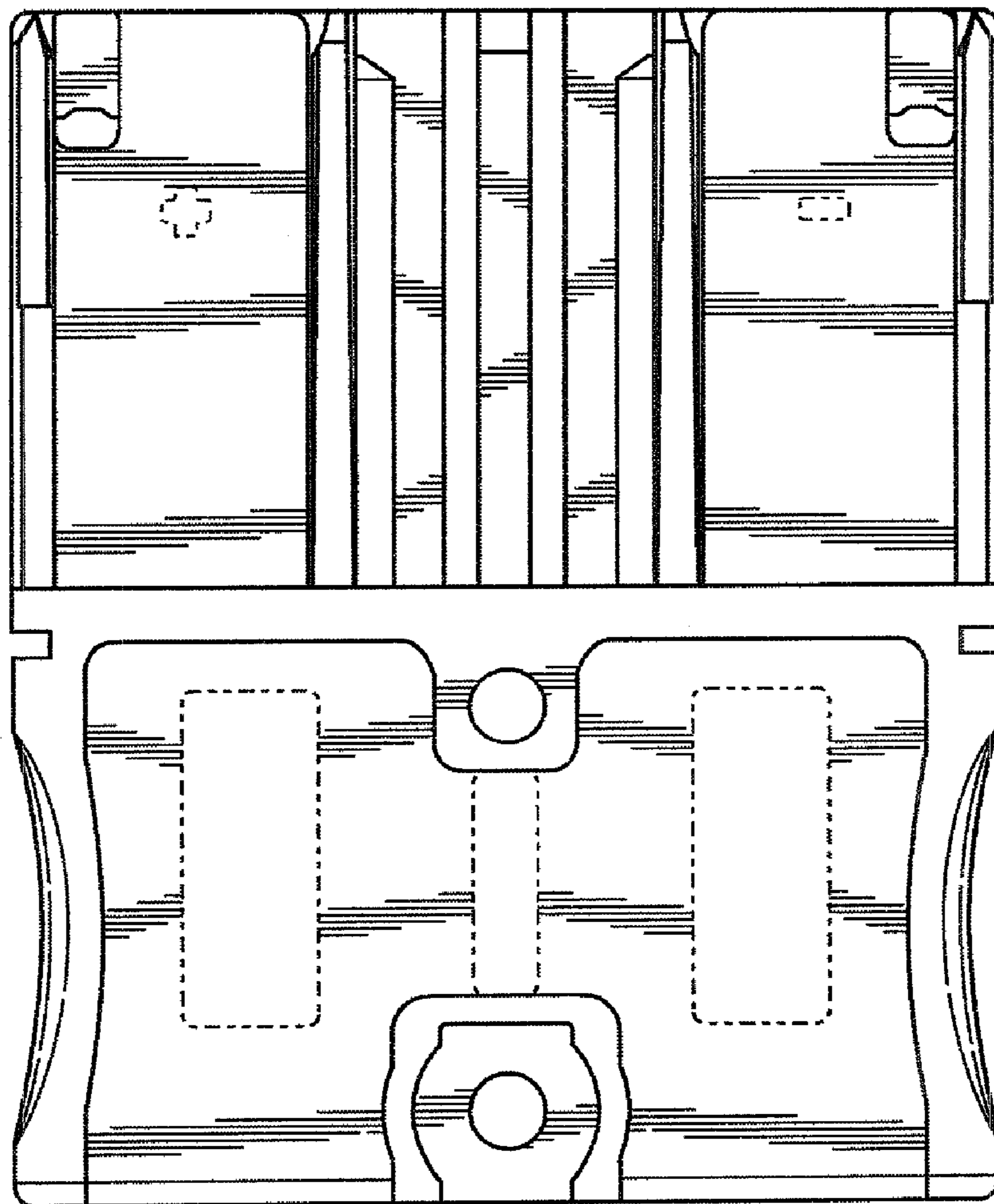


FIG. 11

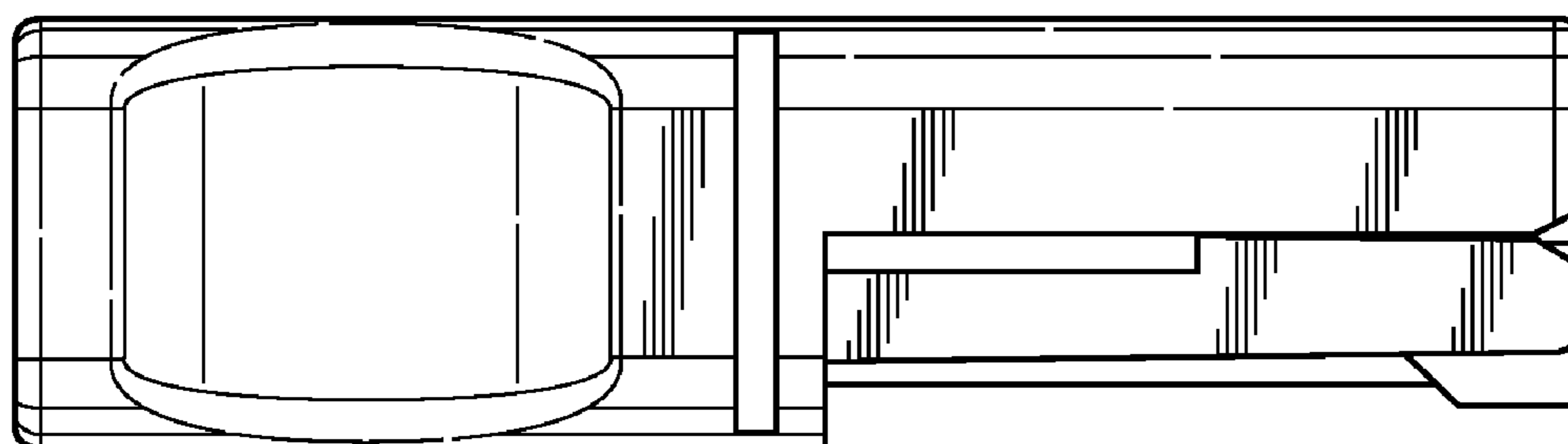


FIG. 12

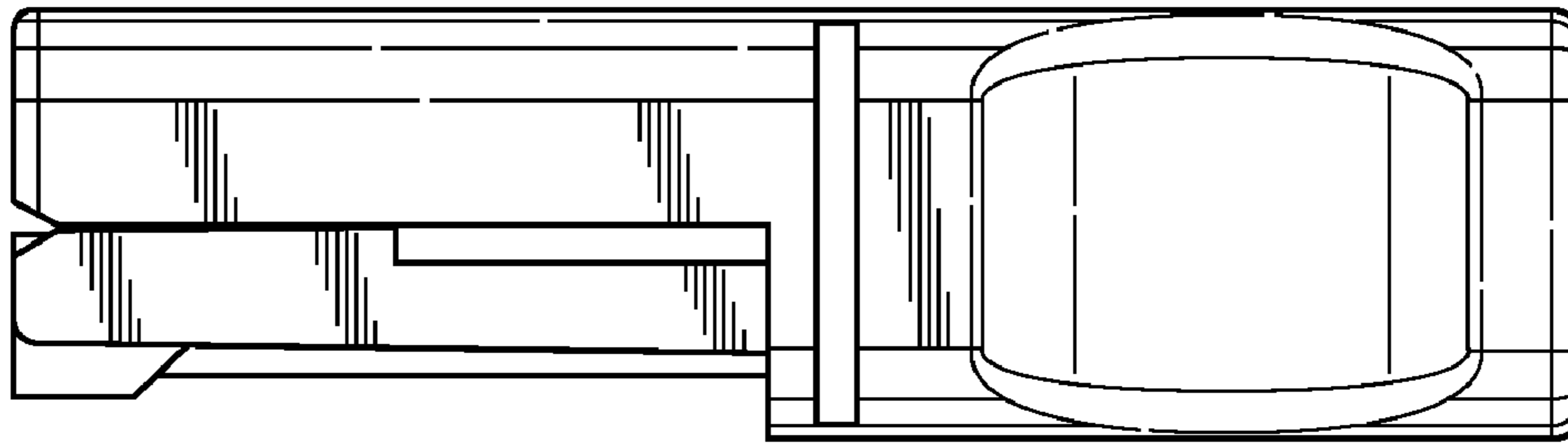


FIG. 13

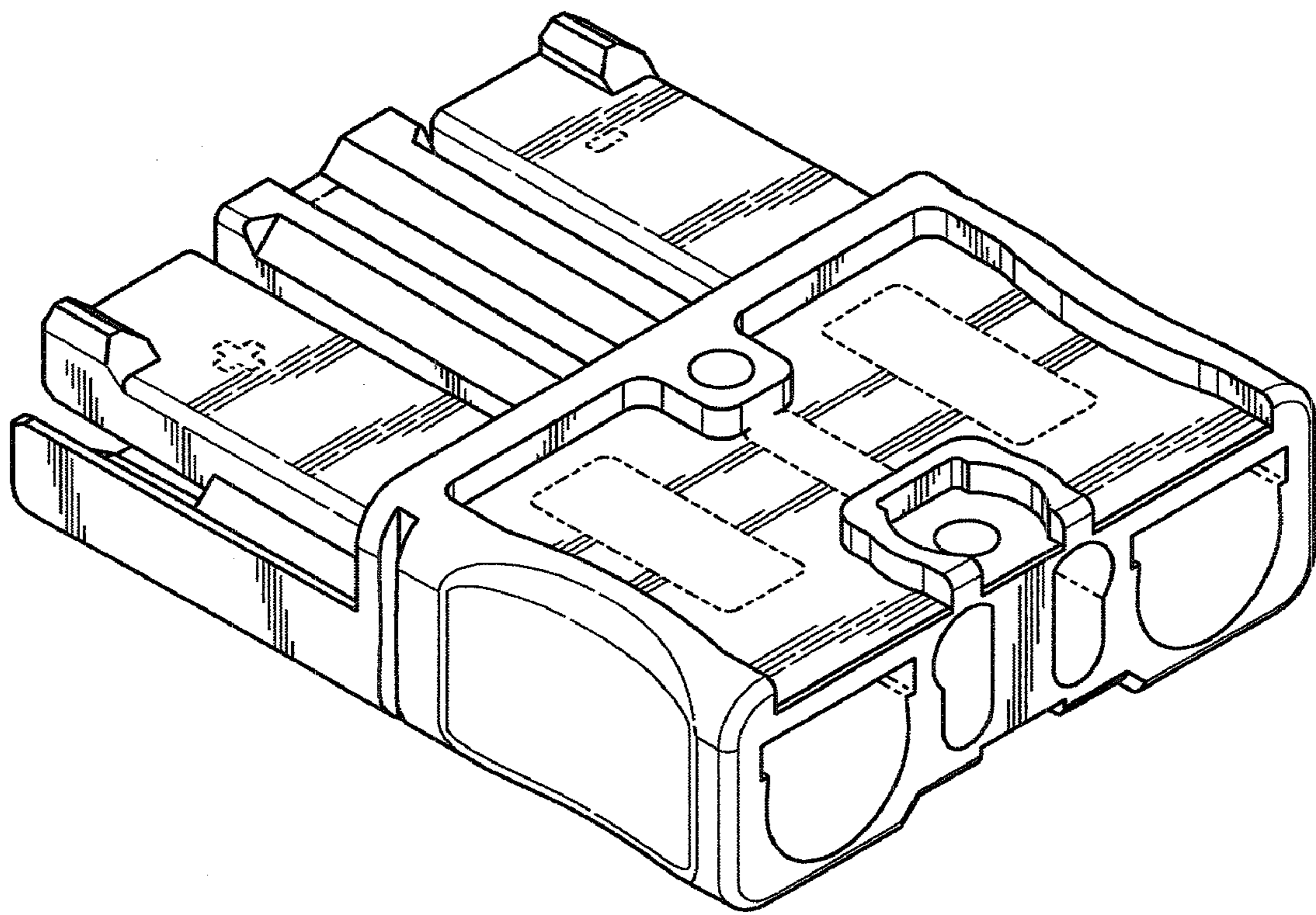


FIG. 14