



US00D612804S

(12) **United States Design Patent**
Schmeisser

(10) **Patent No.:** **US D612,804 S**

(45) **Date of Patent:** **** *Mar. 30, 2010**

(54) **ROTOR**

(75) Inventor: **Dirk Schmeisser**, Velen (DE)

(73) Assignee: **Foseco International Limited**,
Staffordshire (GB)

(**) Term: **14 Years**

(21) Appl. No.: **29/304,266**

(22) Filed: **Feb. 27, 2008**

(30) **Foreign Application Priority Data**

Aug. 30, 2007 (EM) 000781273-0006

(51) **LOC (9) Cl.** **13-01**

(52) **U.S. Cl.** **D13/122**

(58) **Field of Classification Search** D13/122,
D13/112, 118; 29/598, 609; 164/91; 310/156.01,
310/184, 201, 216, 218, 254, 257-263
See application file for complete search history.

(56) **References Cited**

U.S. PATENT DOCUMENTS

- 3,227,547 A 1/1966 Szekely
- 3,792,848 A 2/1974 Ostberg
- 3,802,872 A 4/1974 Ostberg
- 3,849,119 A 11/1974 Bruno et al
- 3,972,709 A 8/1976 Chia et al.
- 4,018,598 A 4/1977 Markus
- 4,268,772 A * 5/1981 Workman 310/197
- 4,611,790 A 9/1986 Otsuka et al.
- 4,634,105 A 1/1987 Withers et al.
- 4,670,050 A 6/1987 Ootsuka et al.
- 4,717,540 A 1/1988 McRae et al.
- 4,743,428 A 5/1988 McRae et al.
- 4,908,060 A 3/1990 Duenkelmann
- D320,191 S * 9/1991 Yamaguchi D13/112
- 5,160,693 A 11/1992 Eckert et al.
- 5,364,078 A 11/1994 Pelton
- 5,488,984 A * 2/1996 Fahy 164/91
- 5,861,700 A * 1/1999 Kim 310/261
- D406,229 S * 3/1999 Lucht D8/382
- 5,889,346 A * 3/1999 Uchida et al. 310/156.57

- 6,056,803 A 5/2000 Waite
- 6,060,013 A 5/2000 Le Brun et al.
- D441,715 S * 5/2001 Sasaki et al. D13/122
- D443,585 S * 6/2001 Shida et al. D13/122
- 6,772,503 B1 * 8/2004 Fathimulla et al. 29/598
- 6,960,239 B2 11/2005 Bilodeau et al.
- 2004/0113511 A1 * 6/2004 Schmidt et al. 310/218
- 2006/0180962 A1 8/2006 Thut

FOREIGN PATENT DOCUMENTS

- CA 2073706 1/1994
- DE 103 01 561 A1 2/2004

(Continued)

OTHER PUBLICATIONS

International Search Report dated Sep. 11, 2008

(Continued)

Primary Examiner—Prabhakar Deshmukh
Assistant Examiner—Derrick Holland
(74) *Attorney, Agent, or Firm*—Nixon & Vanderhye P.C.

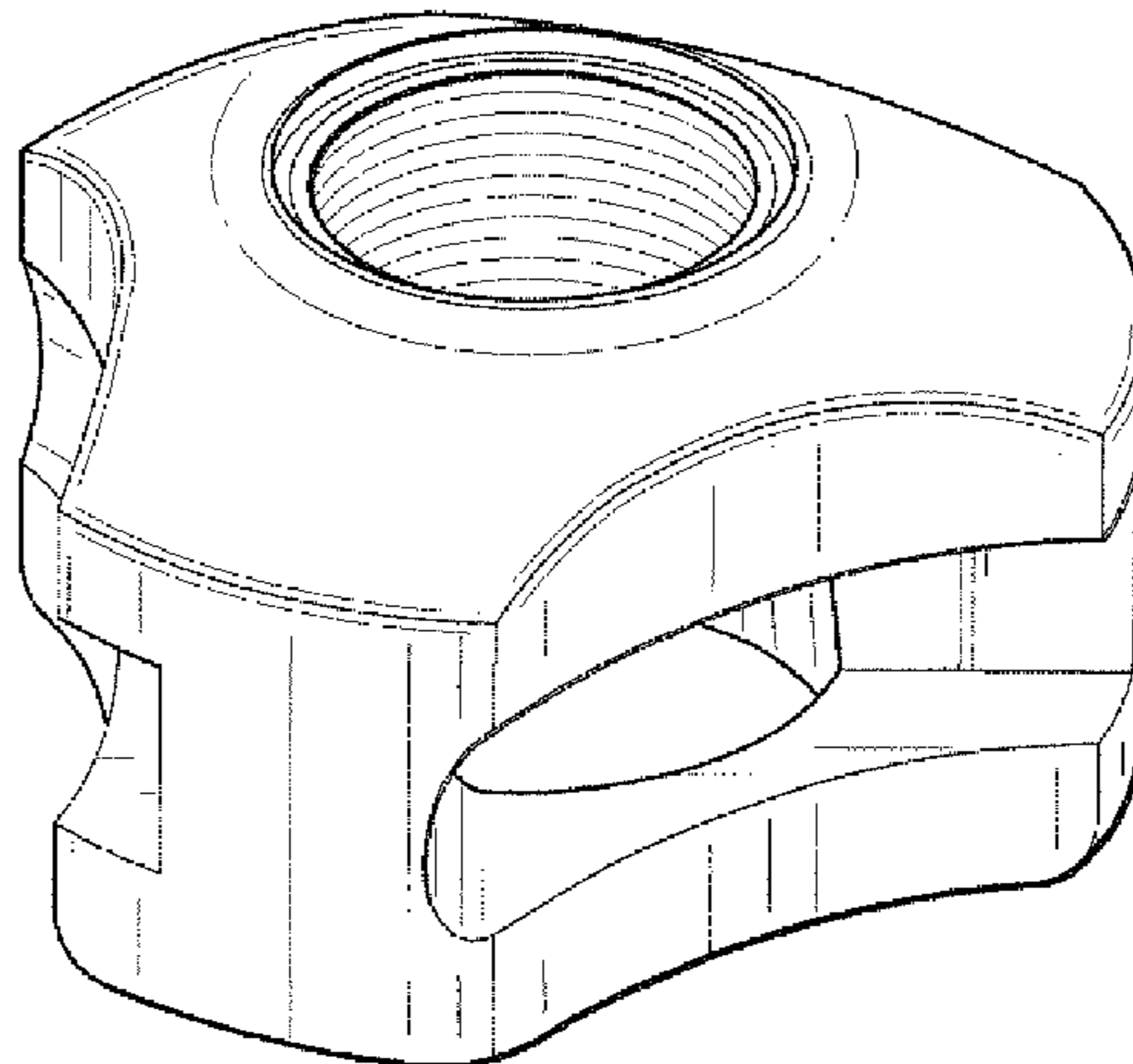
(57) **CLAIM**

The ornamental design for a “rotor,” as shown and described.

DESCRIPTION

FIG. 1 is a perspective view of the rotor which embodies my new and original design therefore;
FIG. 2 left hand side elevational view thereof;
FIG. 3 is a right hand side elevational view thereof;
FIG. 4 is a bottom plan view thereof;
FIG. 5 is a top plan view thereof;
FIG. 6 is a front elevational view thereof; and,
FIG. 7 is a rear elevational view thereof.
The broken lines shown represent unclaimed subject matter and form no part of the claimed design.

1 Claim, 3 Drawing Sheets



US D612,804 S

Page 2

FOREIGN PATENT DOCUMENTS

EP	0 183 402 B1	6/1986
EP	0 332 292 B1	9/1989
EP	1 573 077 B1	9/2005
GB	1 410 898	10/1975
GB	1 578 570	11/1980
JP	7-55365	3/1995

WO WO 02/22900 A2 3/2002

OTHER PUBLICATIONS

U.S. Appl. No. 29/403,264, filed Feb. 27, 2008.

U.S. Appl. No. 29/304,265, filed Feb. 27, 2008.

* cited by examiner

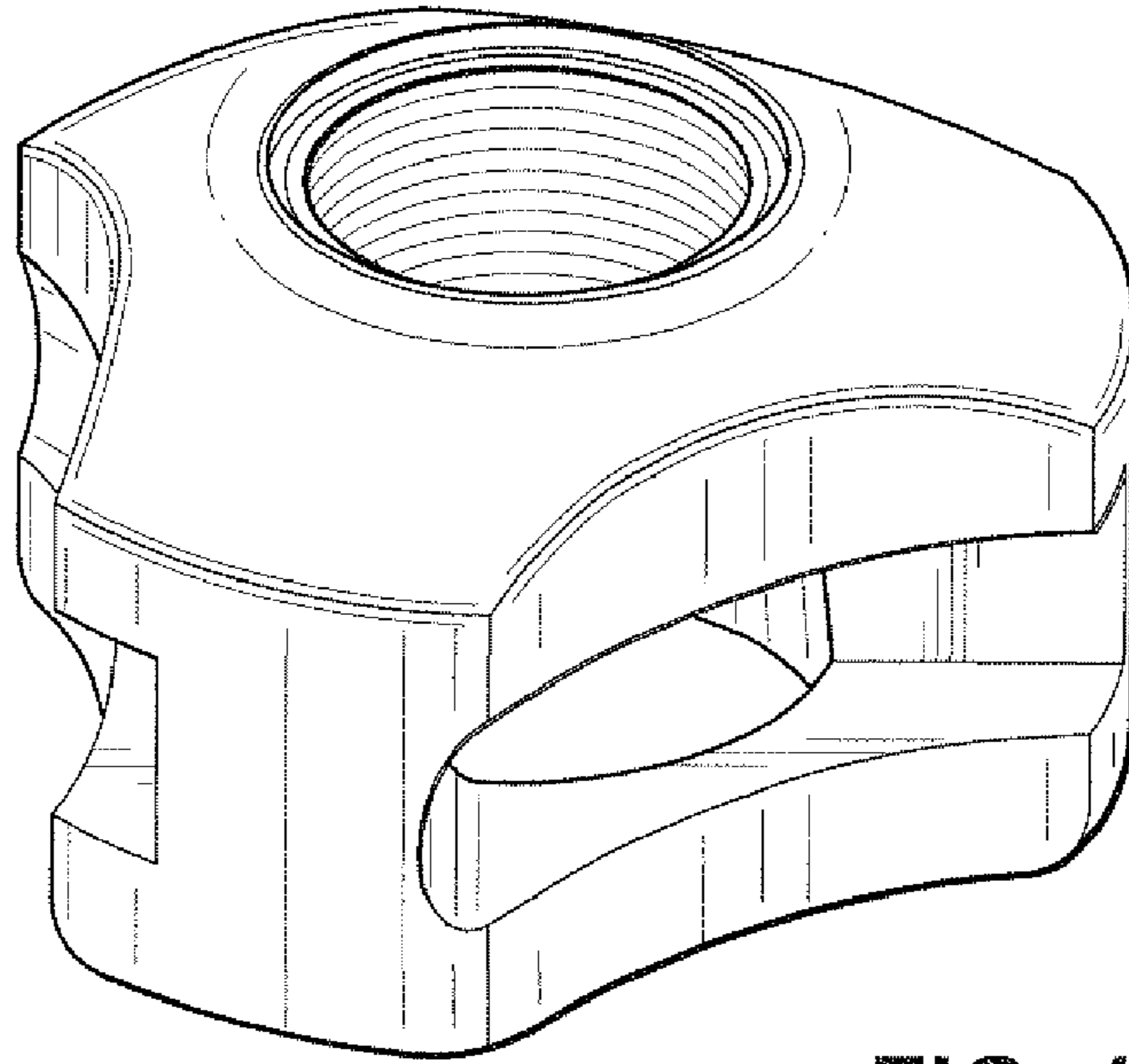


FIG. 1

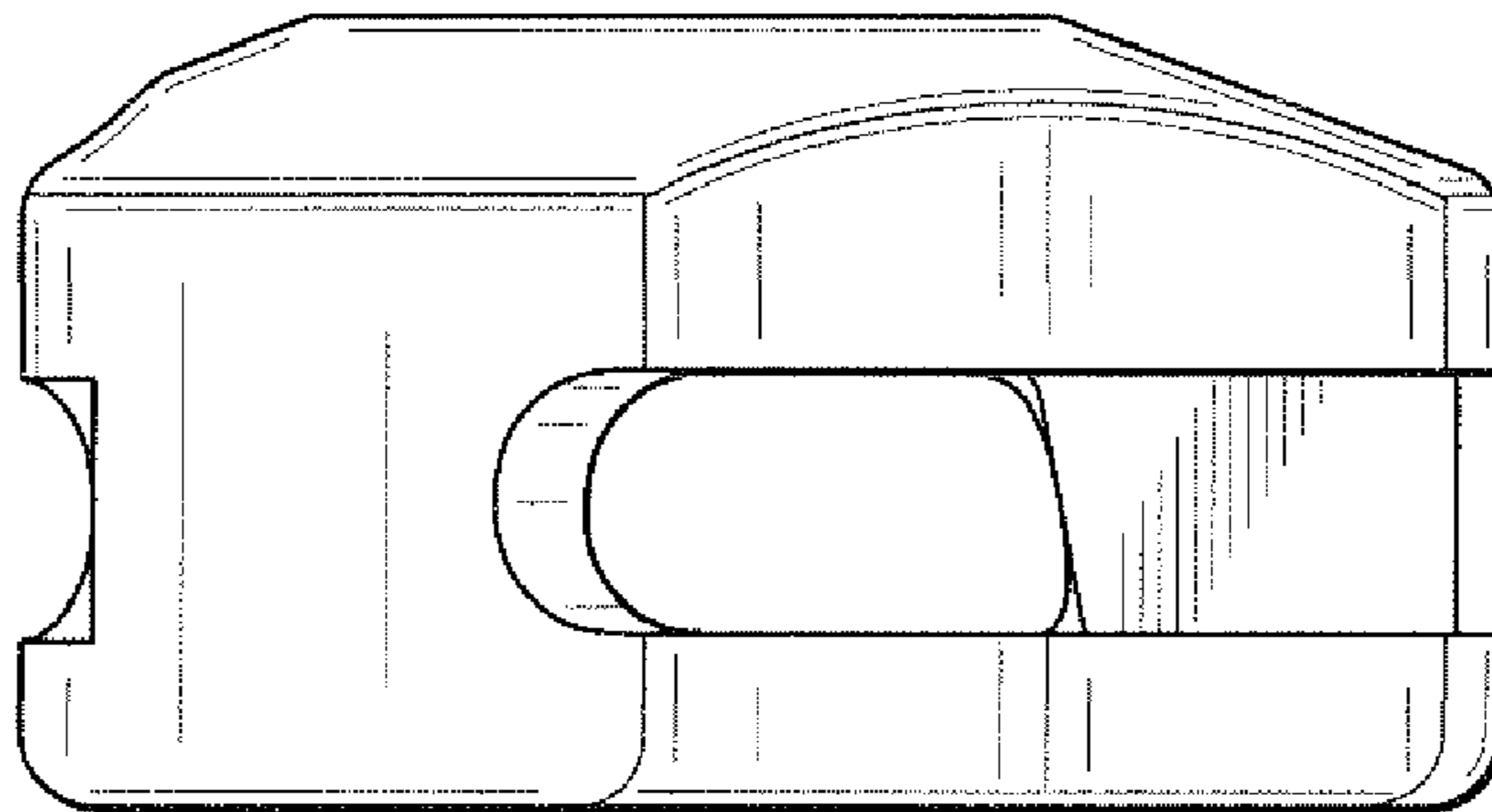


FIG. 2

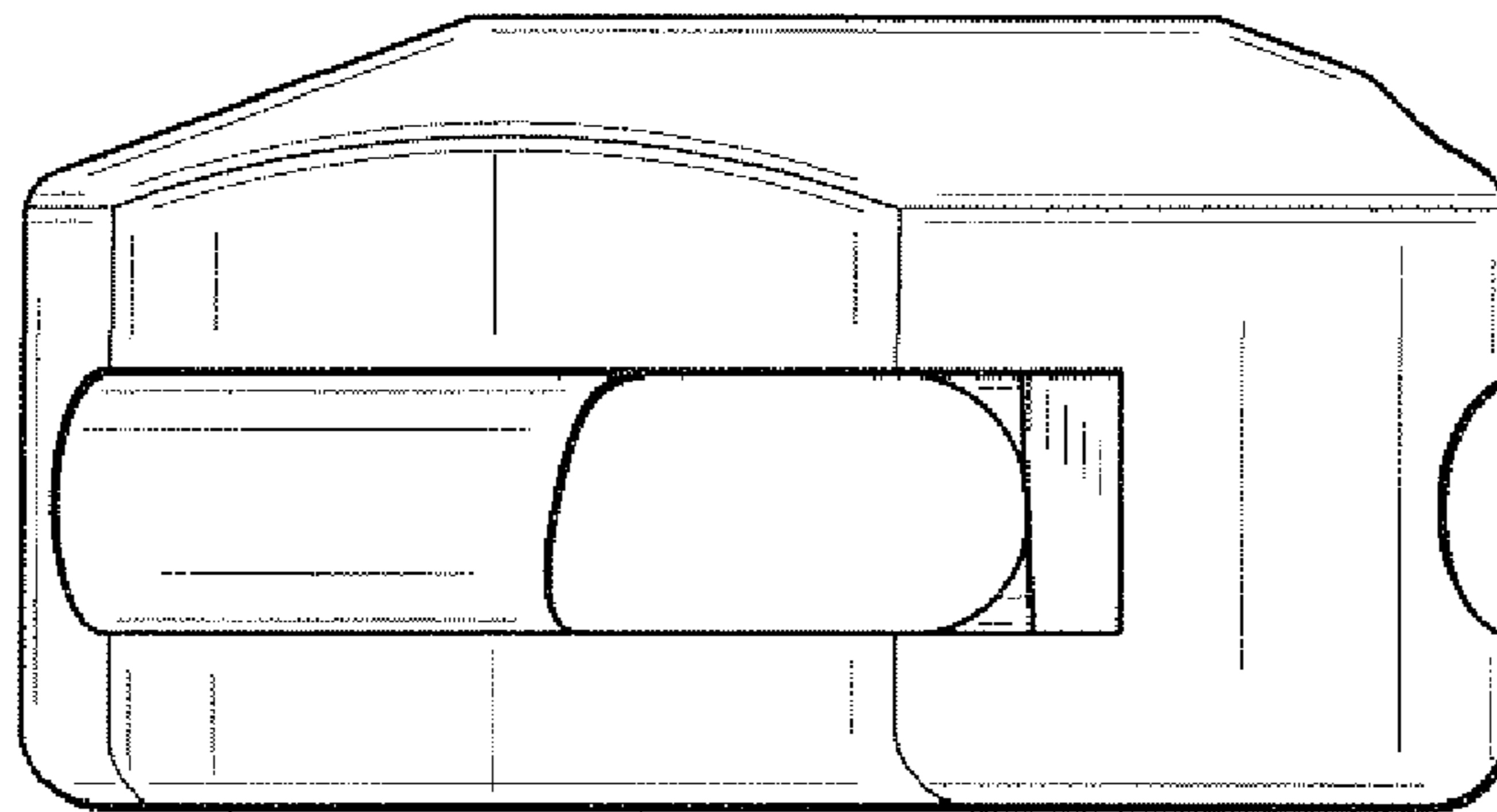


FIG. 3

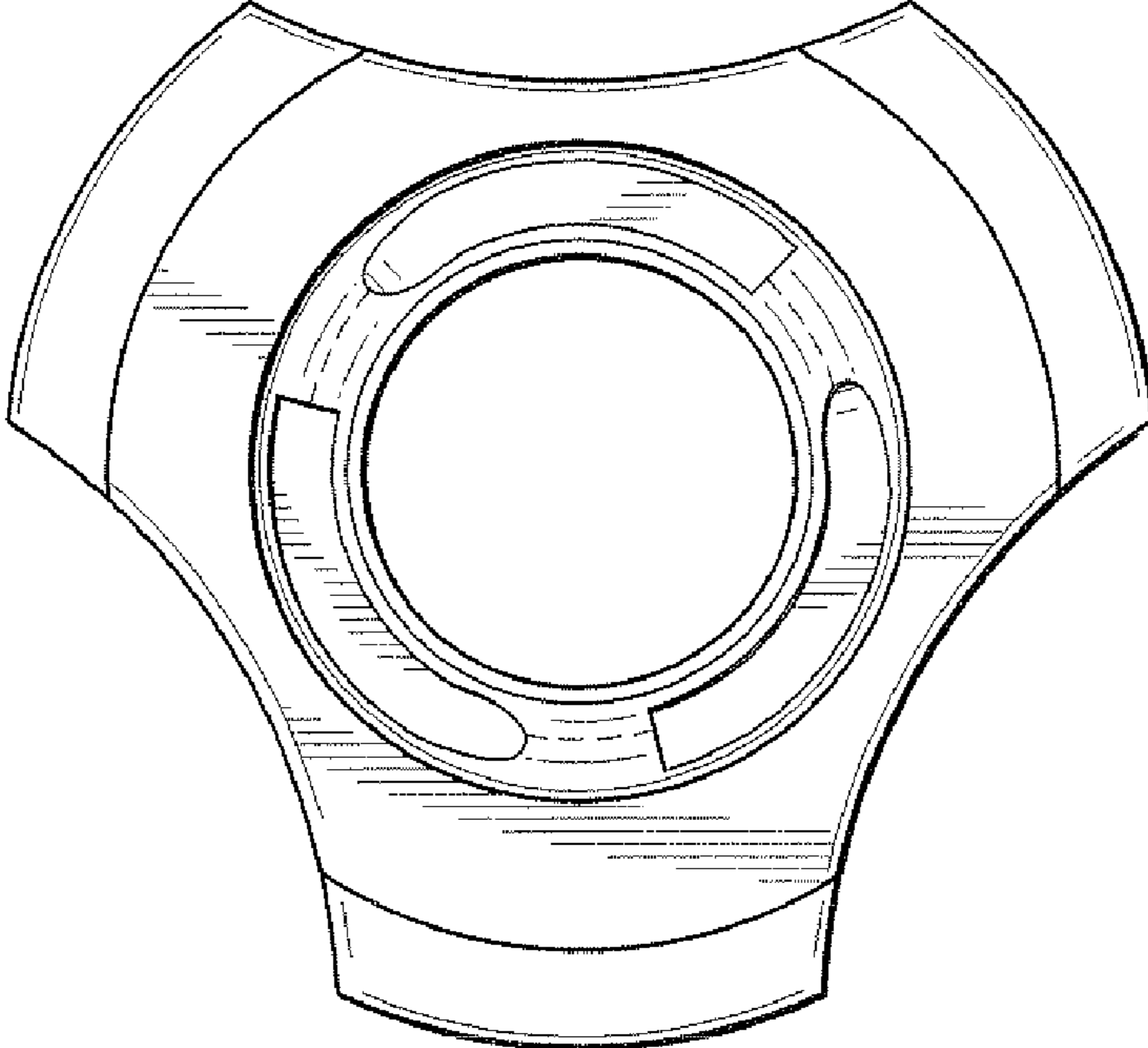


FIG. 4

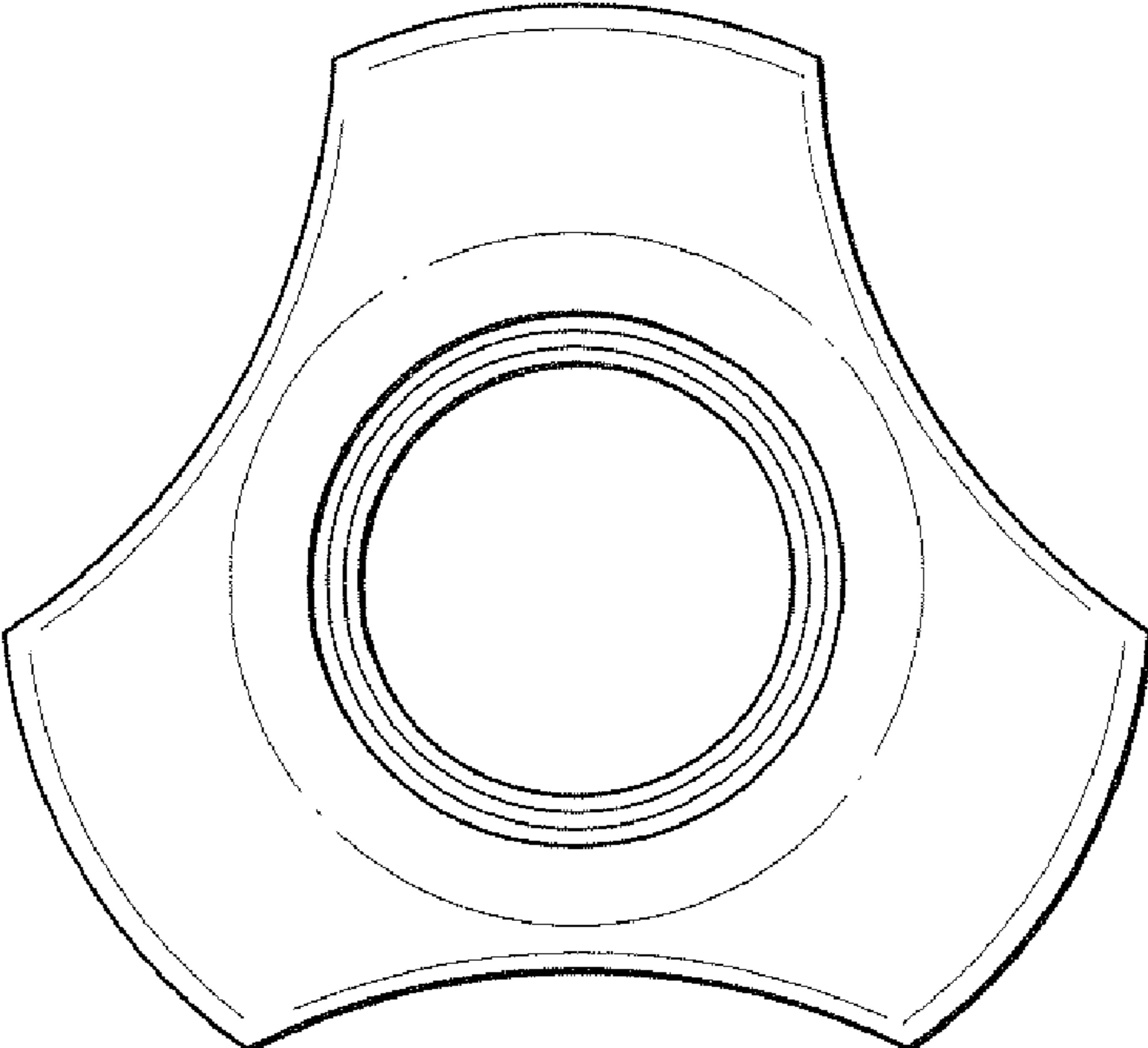


FIG. 5

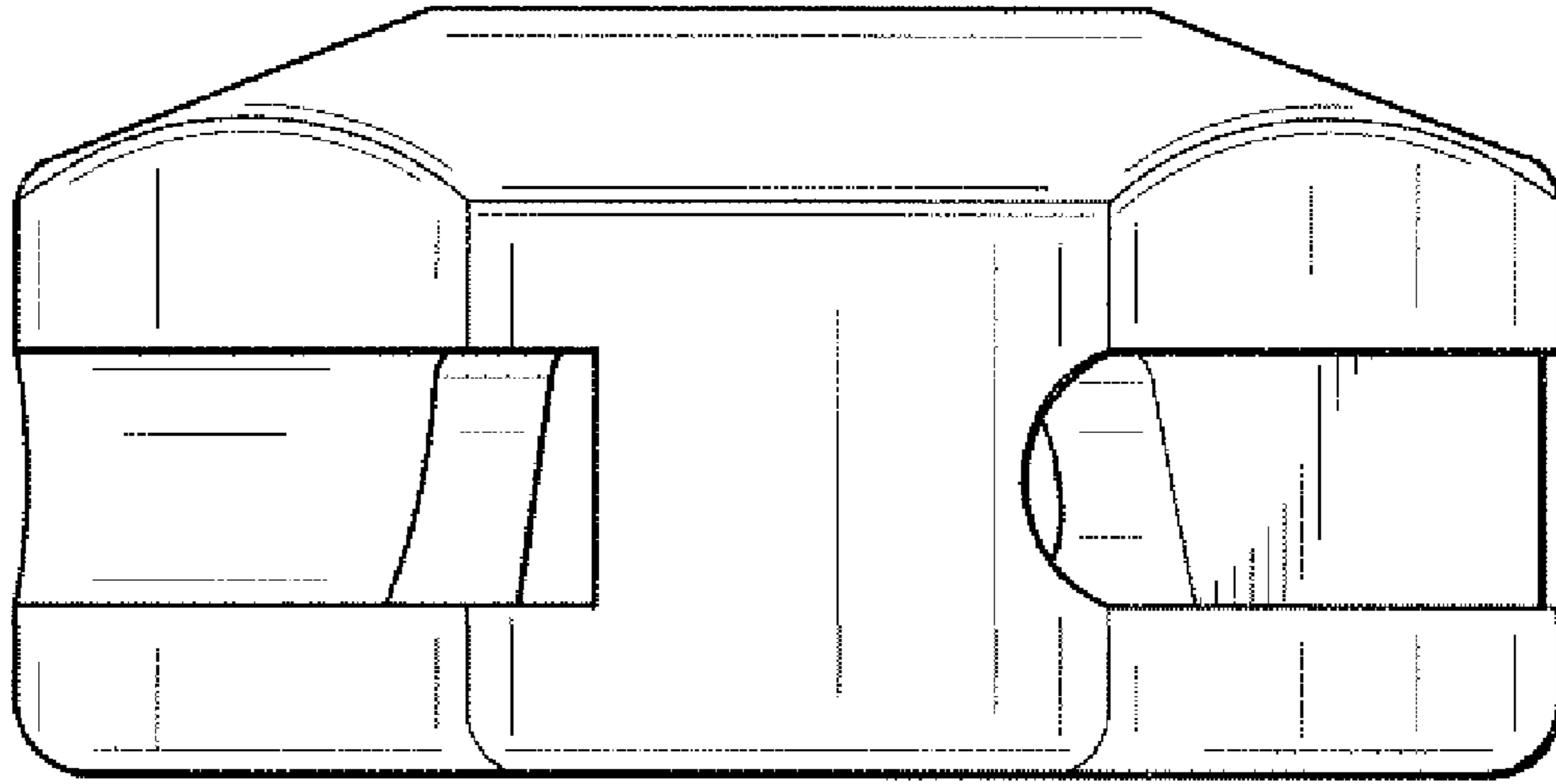


FIG. 6

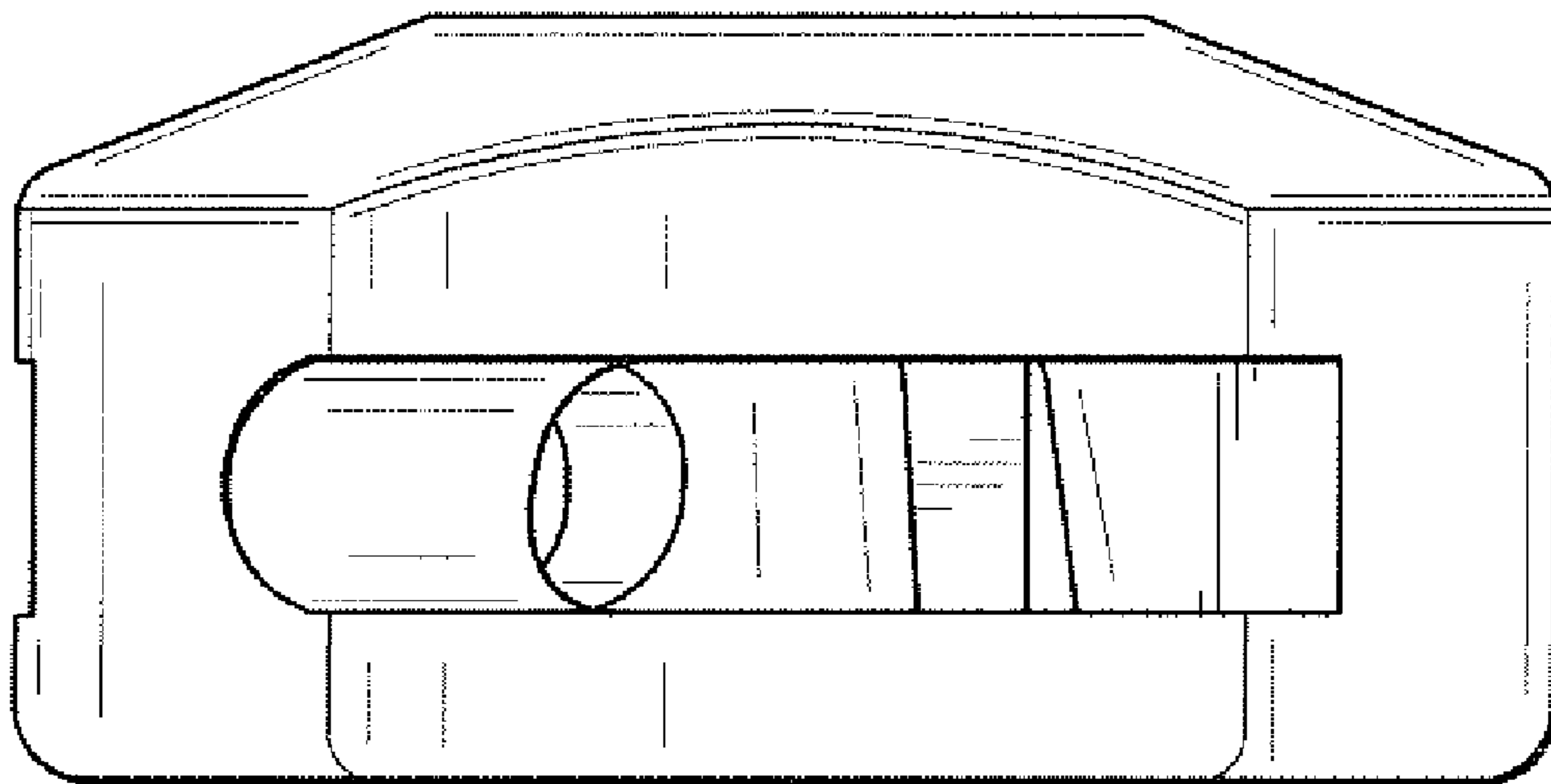


FIG. 7