



US00D612803S

(12) **United States Design Patent**  
**Du et al.**

(10) **Patent No.:** **US D612,803 S**  
(45) **Date of Patent:** **\*\* Mar. 30, 2010**

(54) **POWER SUPPLY**

(75) Inventors: **Yinggang Du**, Round Rock, TX (US);  
**Mark Gilson**, Austin, TX (US); **Scott**  
**Lauffer**, Austin, TX (US); **Jared**  
**Mockler**, Austin, TX (US)

(73) Assignee: **Dell Products L.P.**, Round Rock, TX  
(US)

(\*\*) Term: **14 Years**

(21) Appl. No.: **29/345,115**

(22) Filed: **Oct. 9, 2009**

(51) **LOC (9) Cl.** ..... **13-02**

(52) **U.S. Cl.** ..... **D13/110**

(58) **Field of Classification Search** ..... D13/110,  
D13/112, 118, 123, 162, 164, 184, 199; D14/311,  
D14/353, 354, 355; 174/50, 53; 361/600,  
361/601, 622, 679, 683

See application file for complete search history.

(56) **References Cited**

**U.S. PATENT DOCUMENTS**

D314,174 S *	1/1991	Wong	.....	D13/123
D376,347 S *	12/1996	Mousa	.....	D13/110
D396,688 S *	8/1998	Lin	.....	D13/110
D541,216 S *	4/2007	Albano et al.	.....	D13/110
D551,620 S *	9/2007	McClelland, II	.....	D13/110
D562,232 S *	2/2008	Sawatani et al.	.....	D13/110
D575,778 S *	8/2008	Dearborn et al.	.....	D14/349

\* cited by examiner

*Primary Examiner*—Prabhakar Deshmukh

*Assistant Examiner*—Derrick Holland

(74) *Attorney, Agent, or Firm*—Hamilton & Terrile LLP;  
Stephen A. Terrile

(57) **CLAIM**

The ornamental design for a power supply, as shown and described.

**DESCRIPTION**

FIG. 1 is a front perspective view of a power supply showing our new design;

FIG. 2 is a front elevation view thereof;

FIG. 3 is a right side elevation view thereof;

FIG. 4 is a left side elevation view thereof;

FIG. 5 is a rear elevation view thereof;

FIG. 6 is a top plan view thereof;

FIG. 7 is a bottom plan view thereof;

FIG. 8 is a front perspective view of a second embodiment of a power supply showing our new design;

FIG. 9 is a front elevation view thereof;

FIG. 10 is a right side elevation view thereof;

FIG. 11 is a left side elevation view thereof;

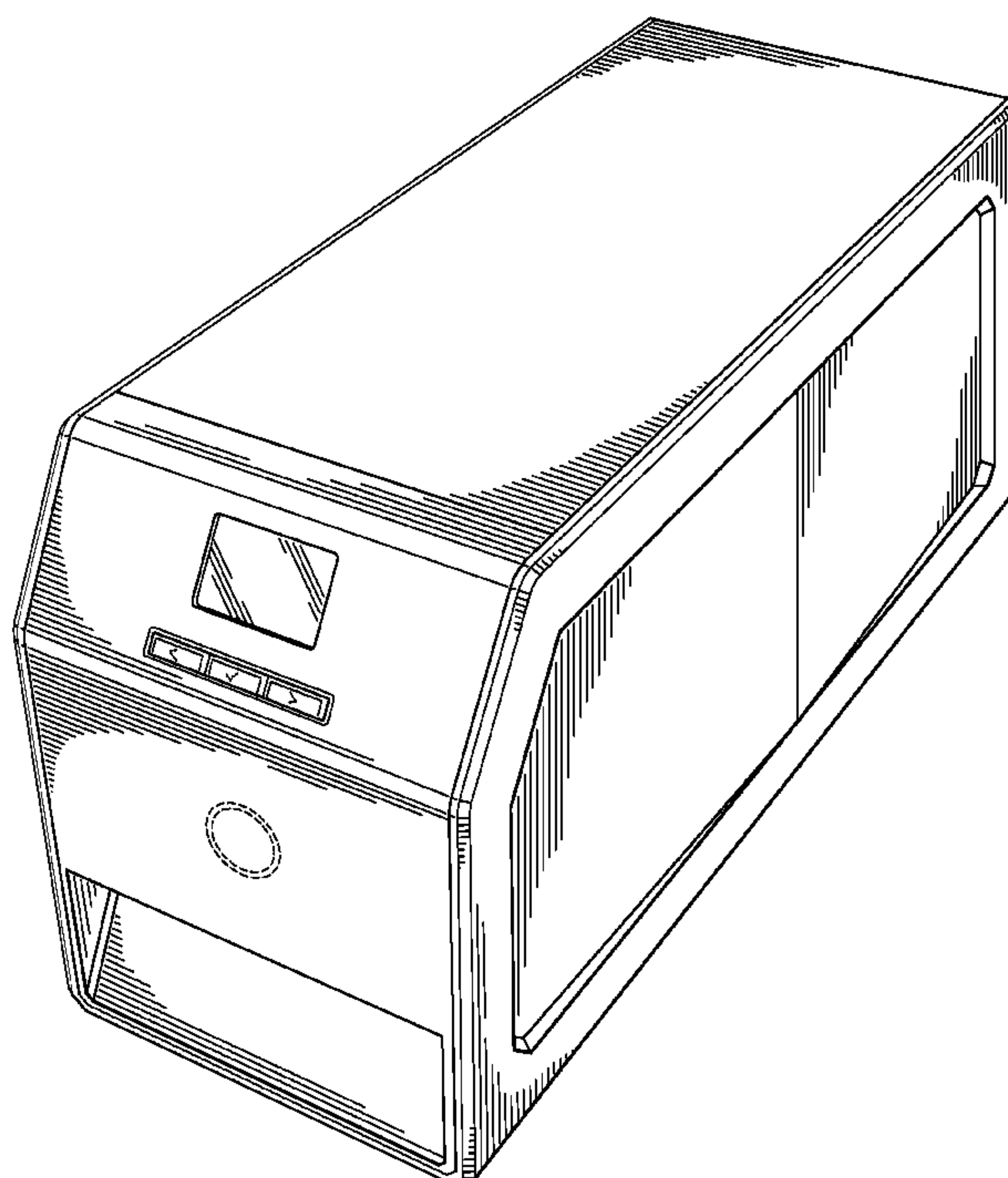
FIG. 12 is a rear elevation view thereof;

FIG. 13 is a top plan view thereof; and,

FIG. 14 is a bottom plan view thereof.

The broken lines shown are for illustrative purposes only and form no part of the claimed design.

**1 Claim, 13 Drawing Sheets**



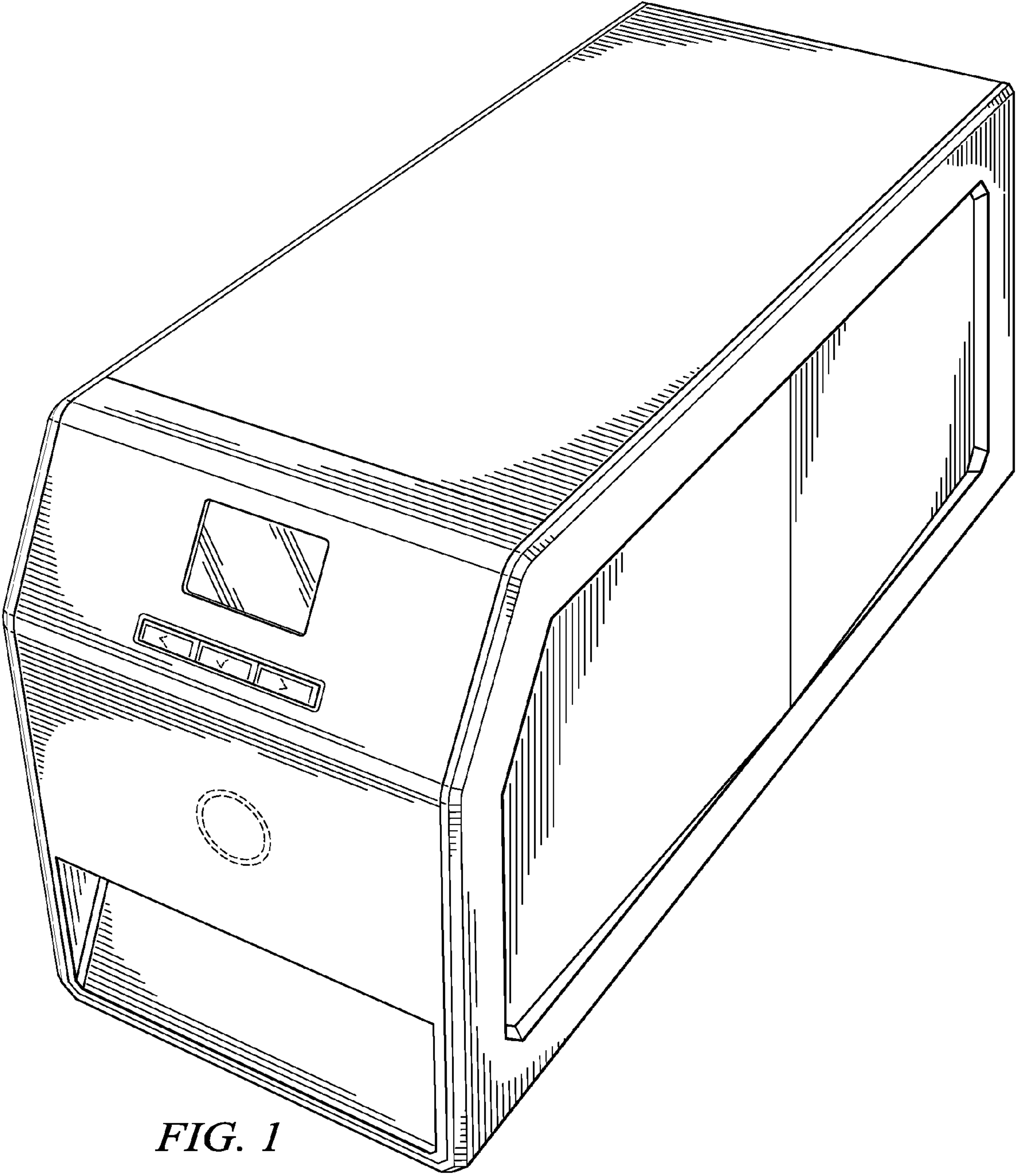


FIG. 1

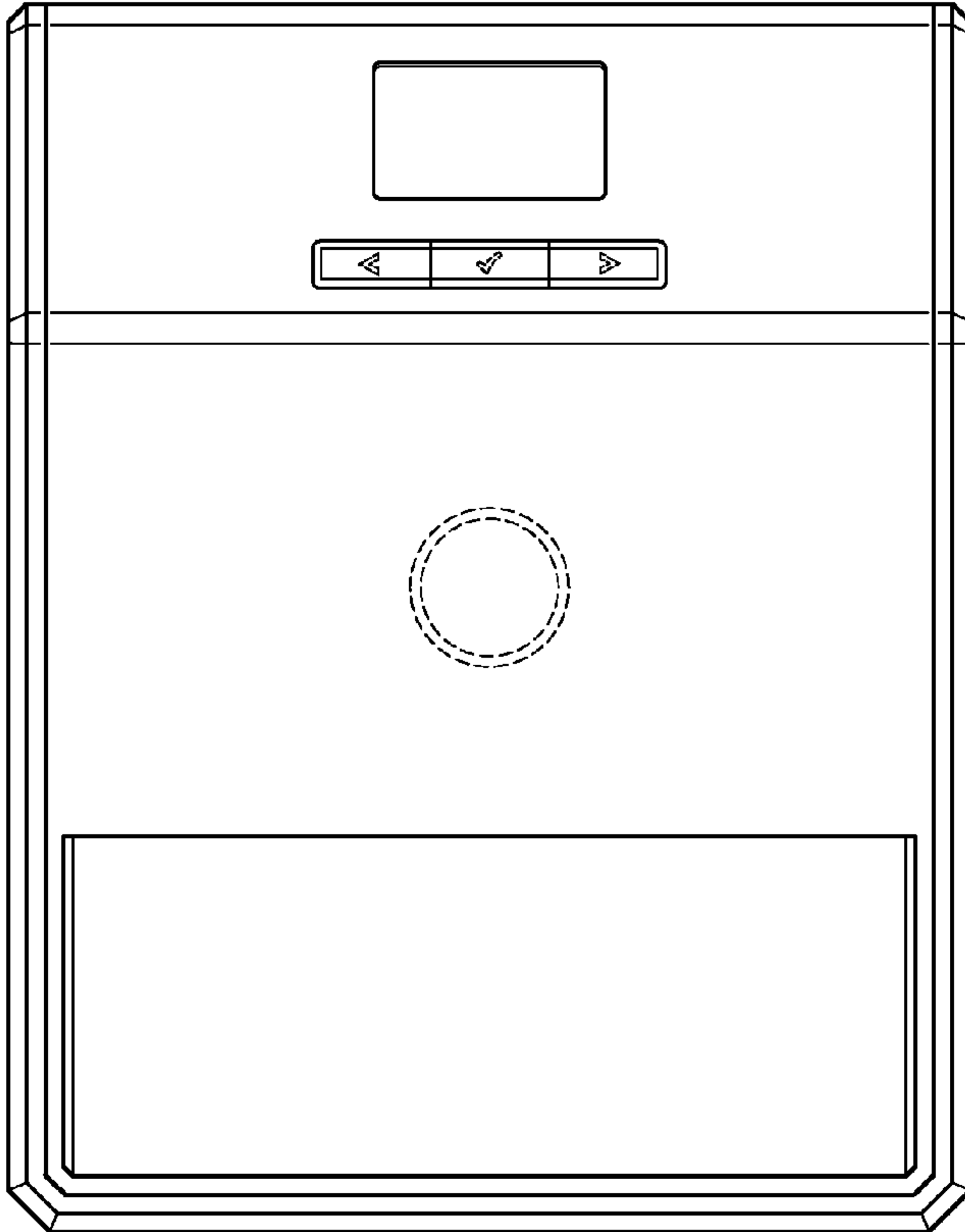


FIG. 2

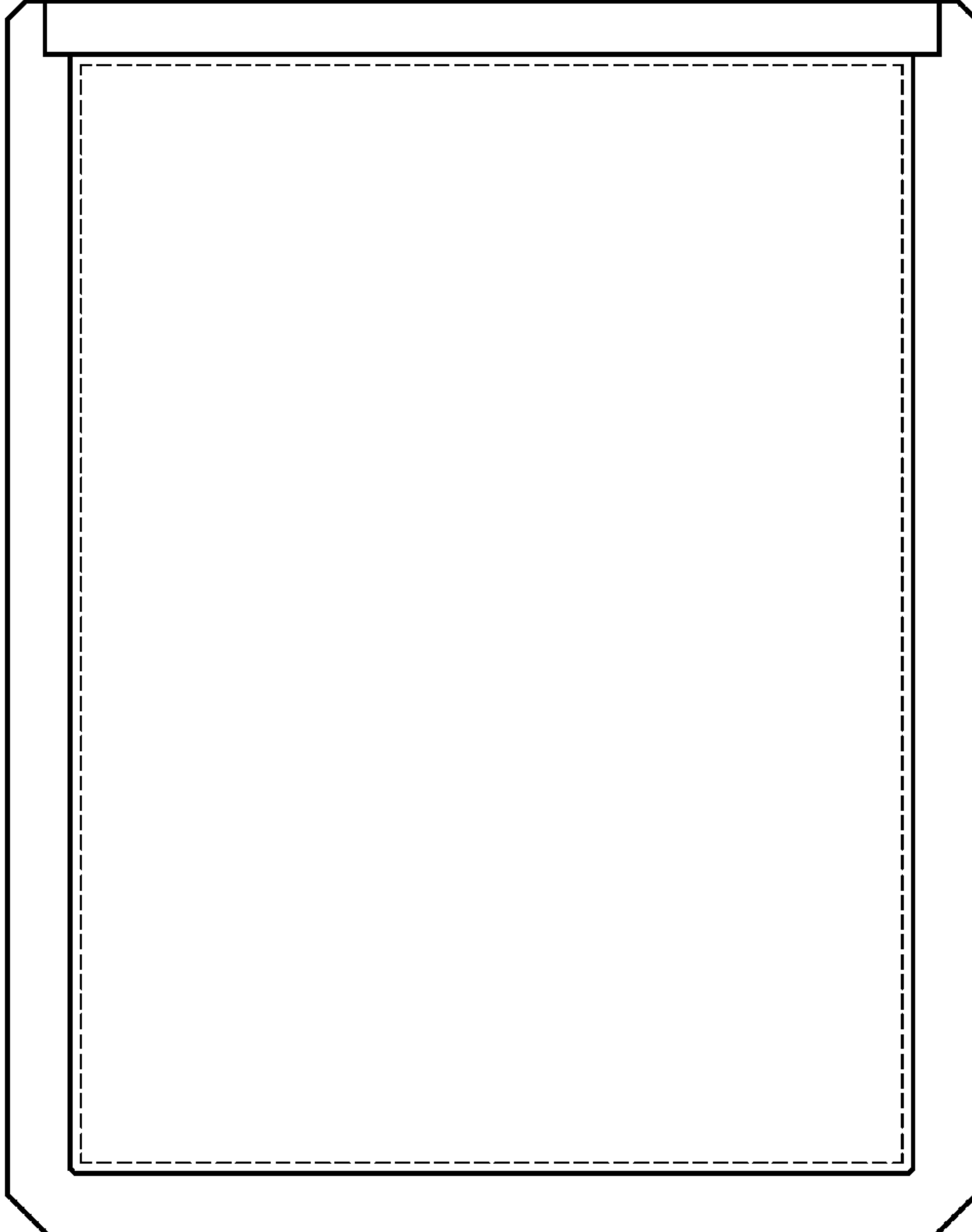
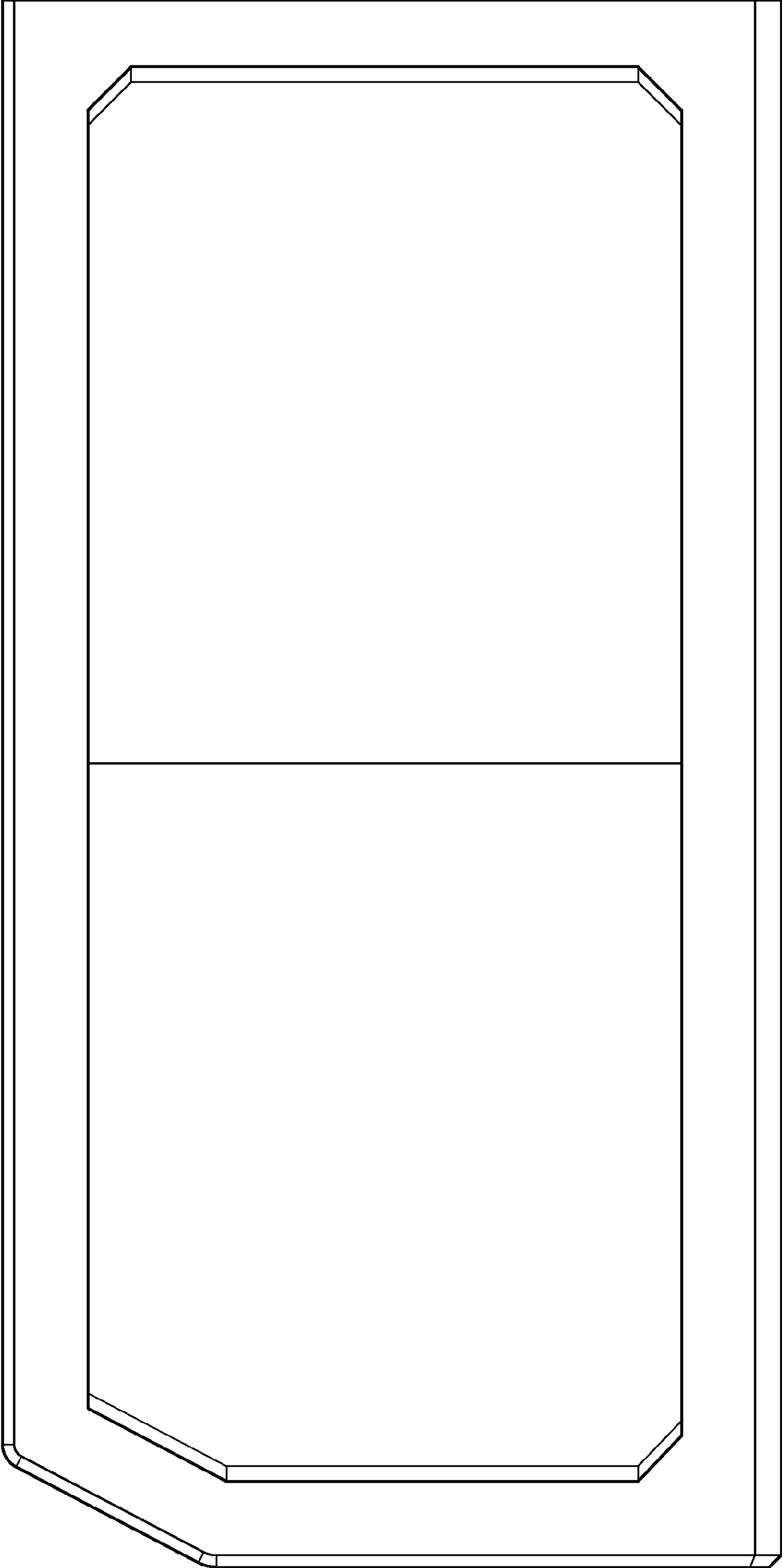


FIG. 5



*FIG. 3*

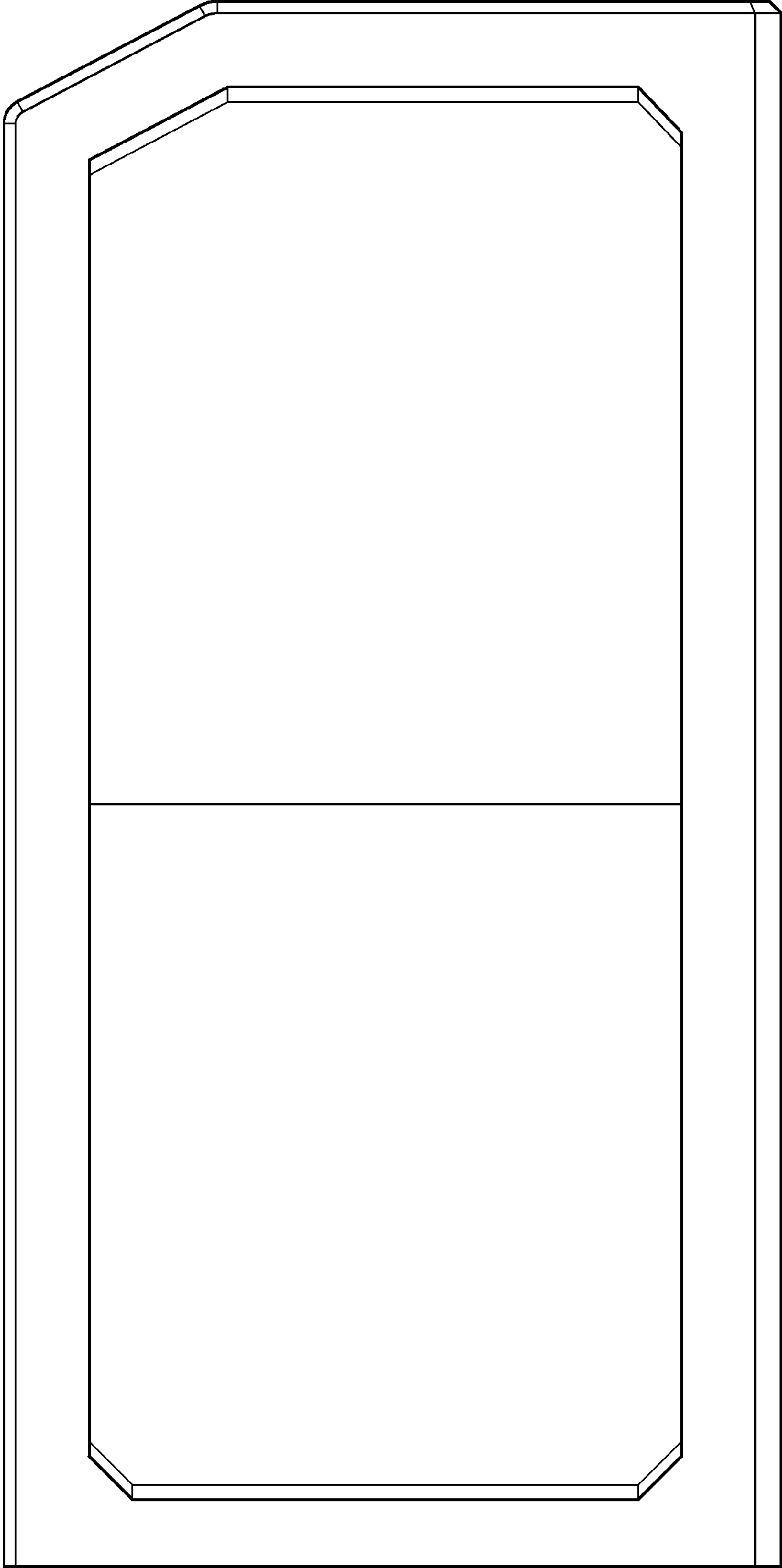
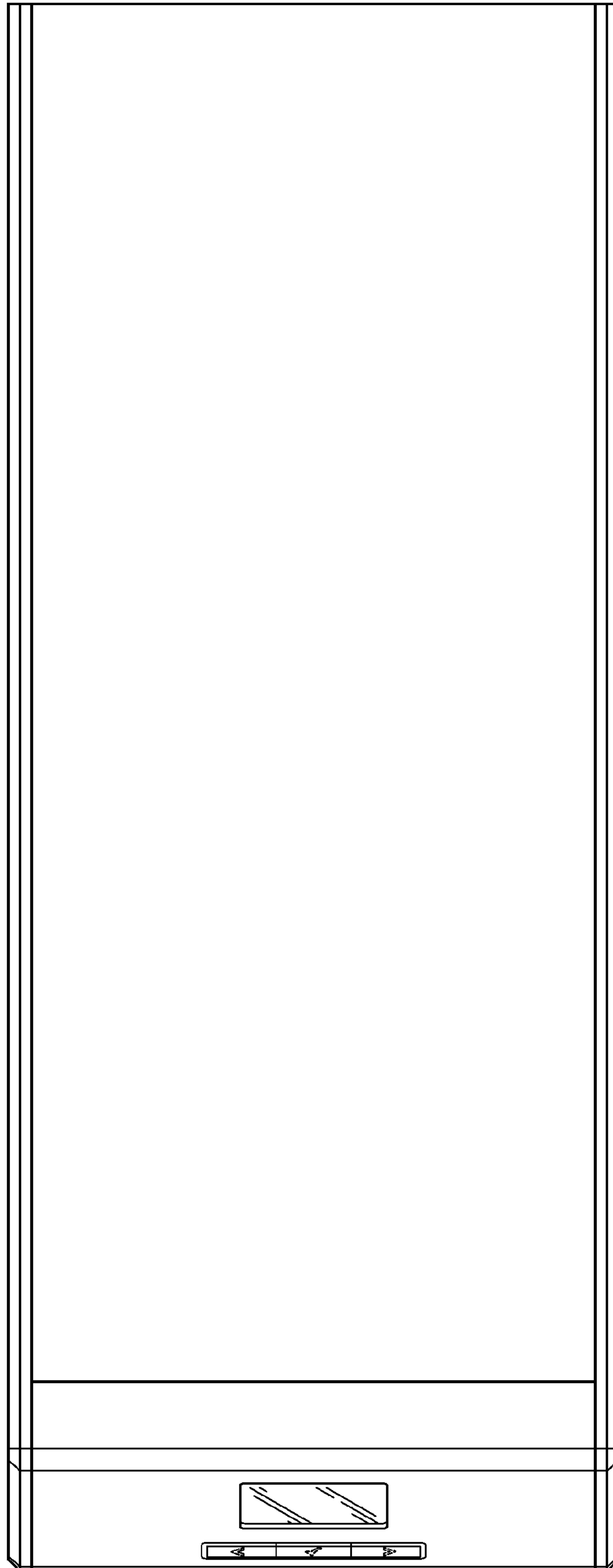
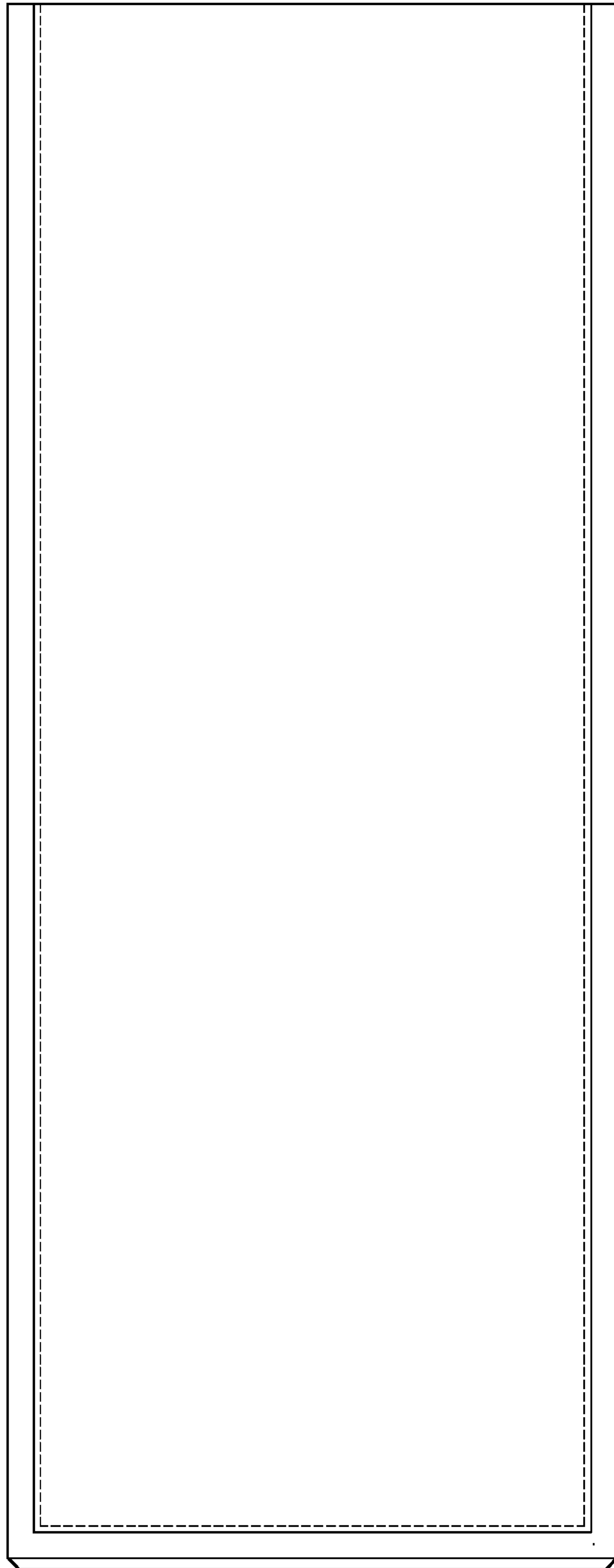


FIG. 4



*FIG. 6*



*FIG. 7*



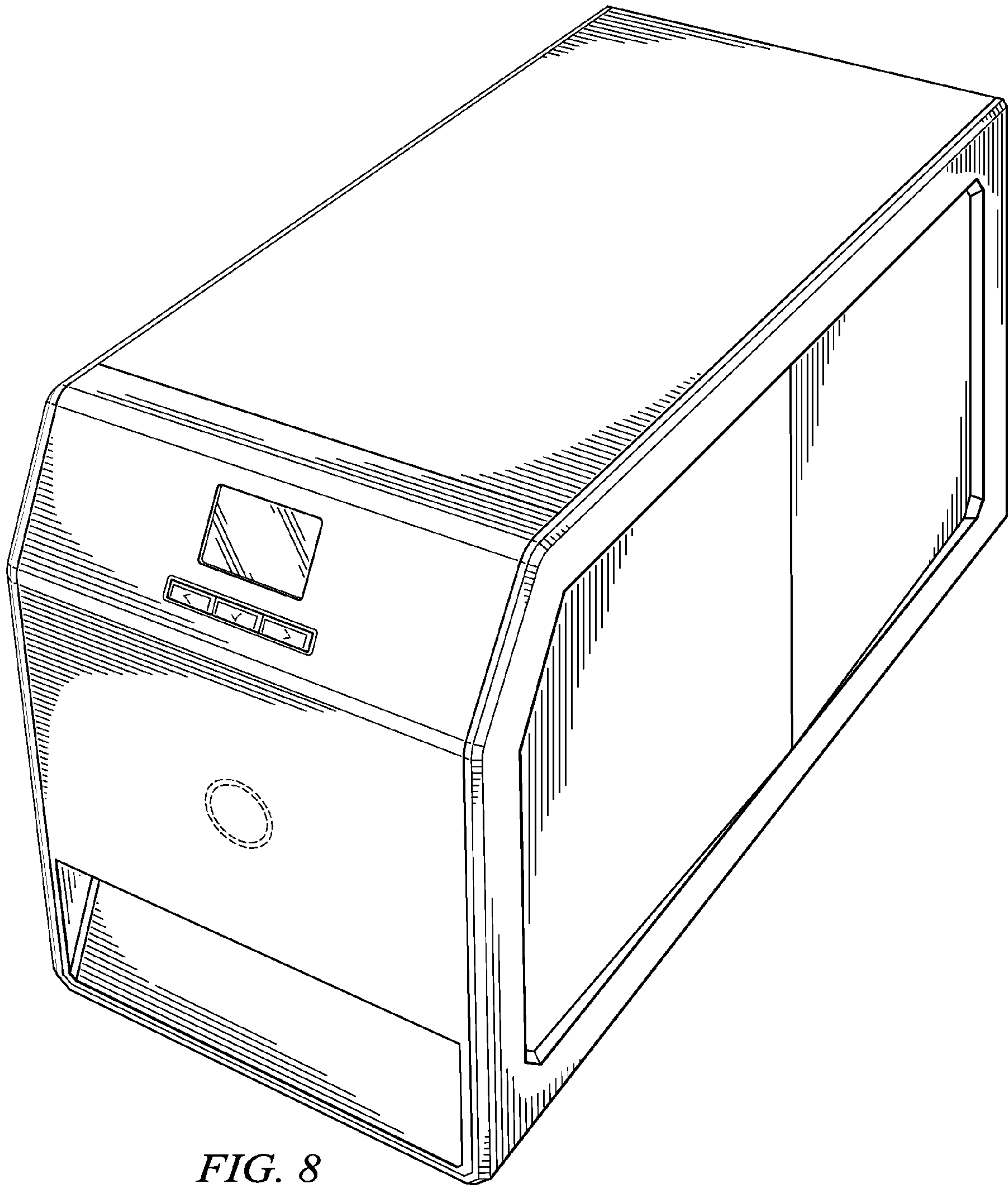
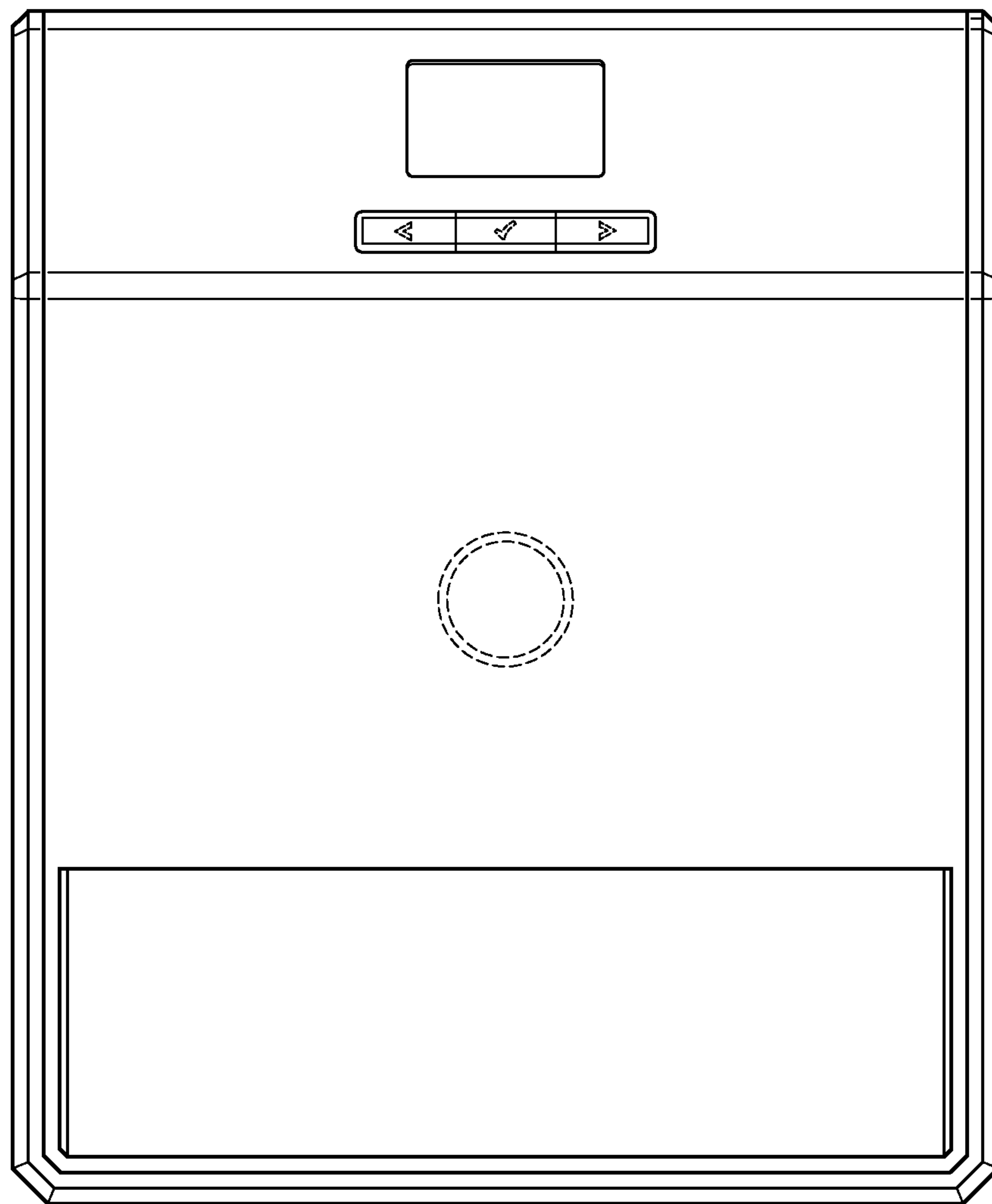
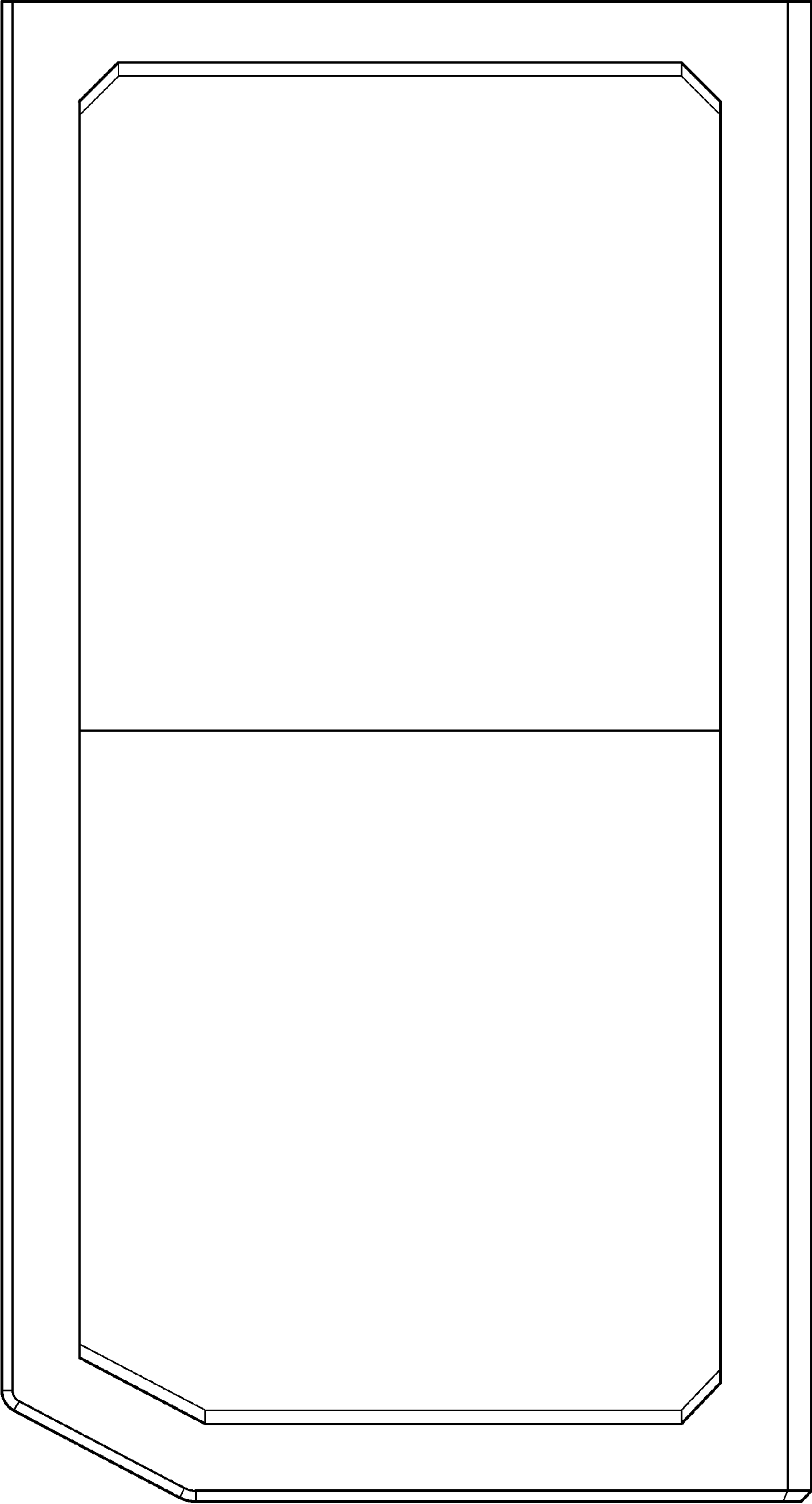


FIG. 8

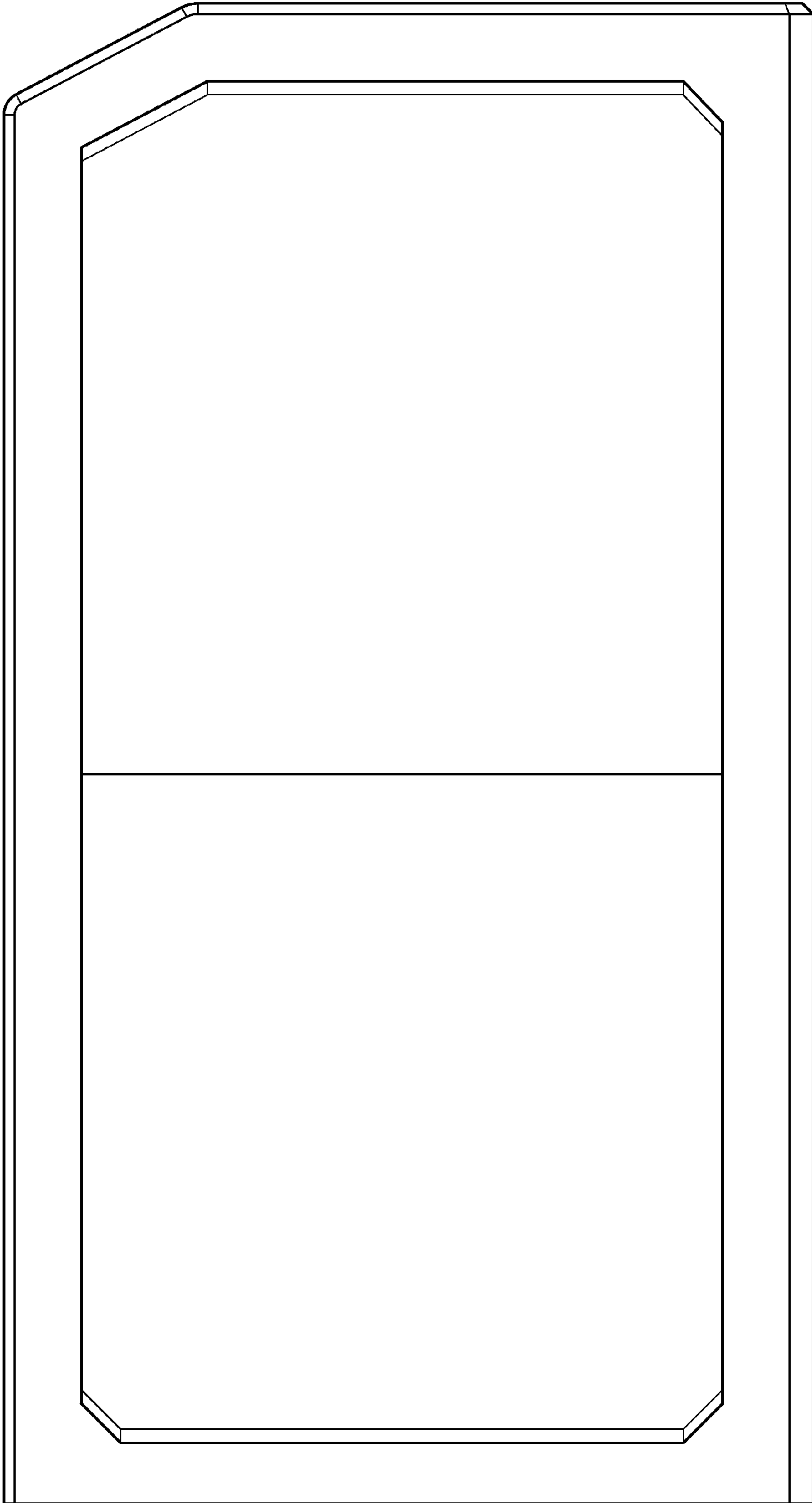




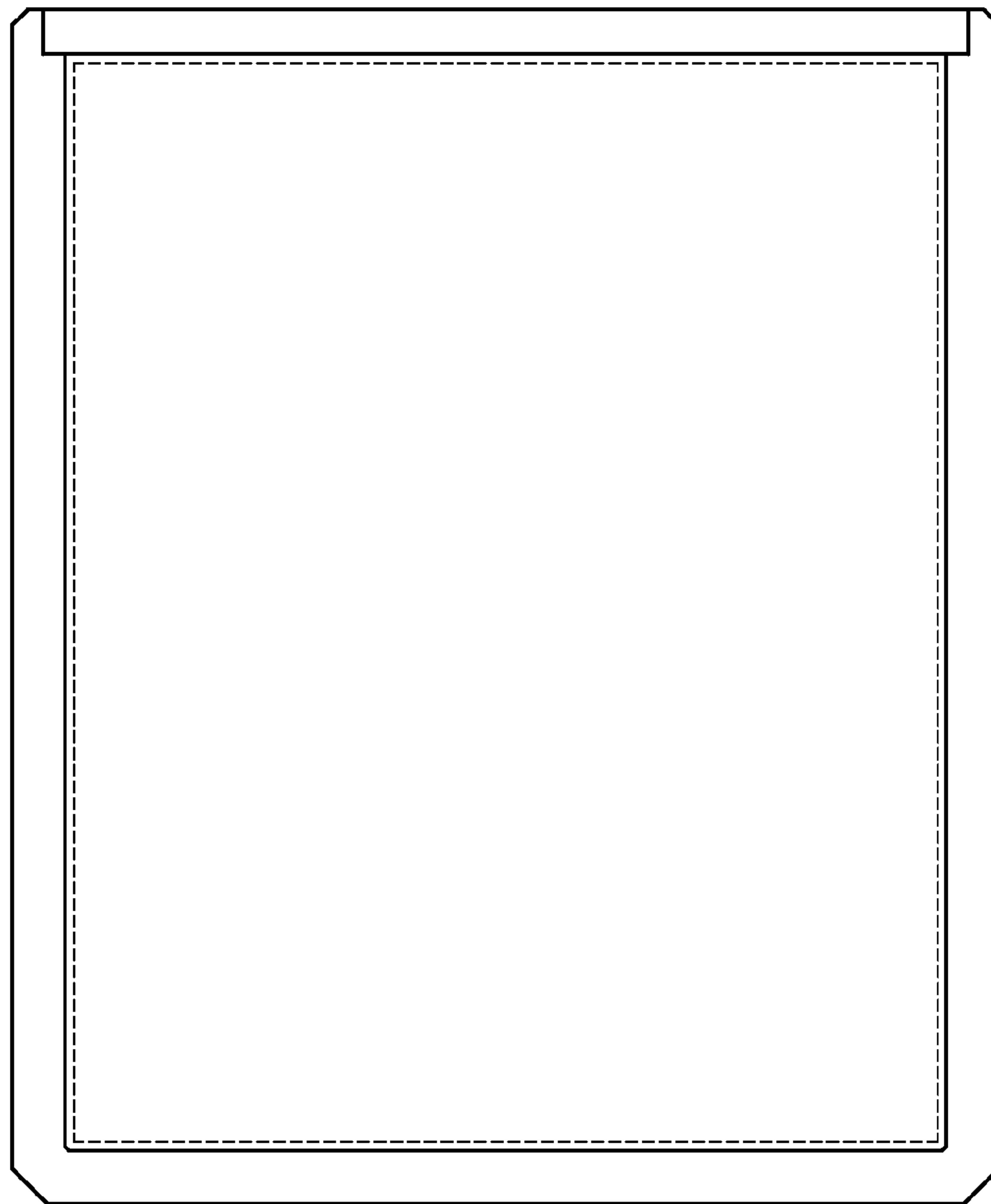
*FIG. 9*



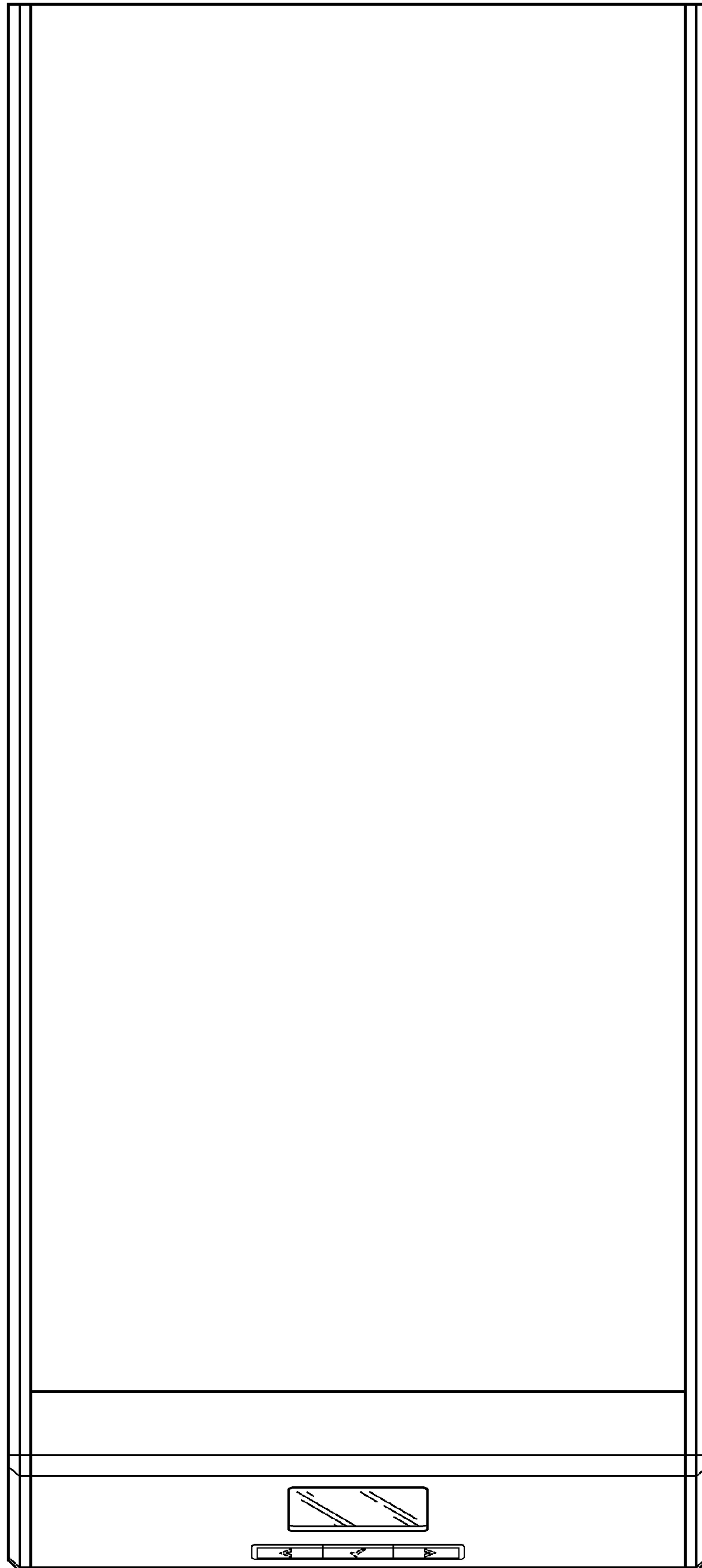
*FIG. 10*



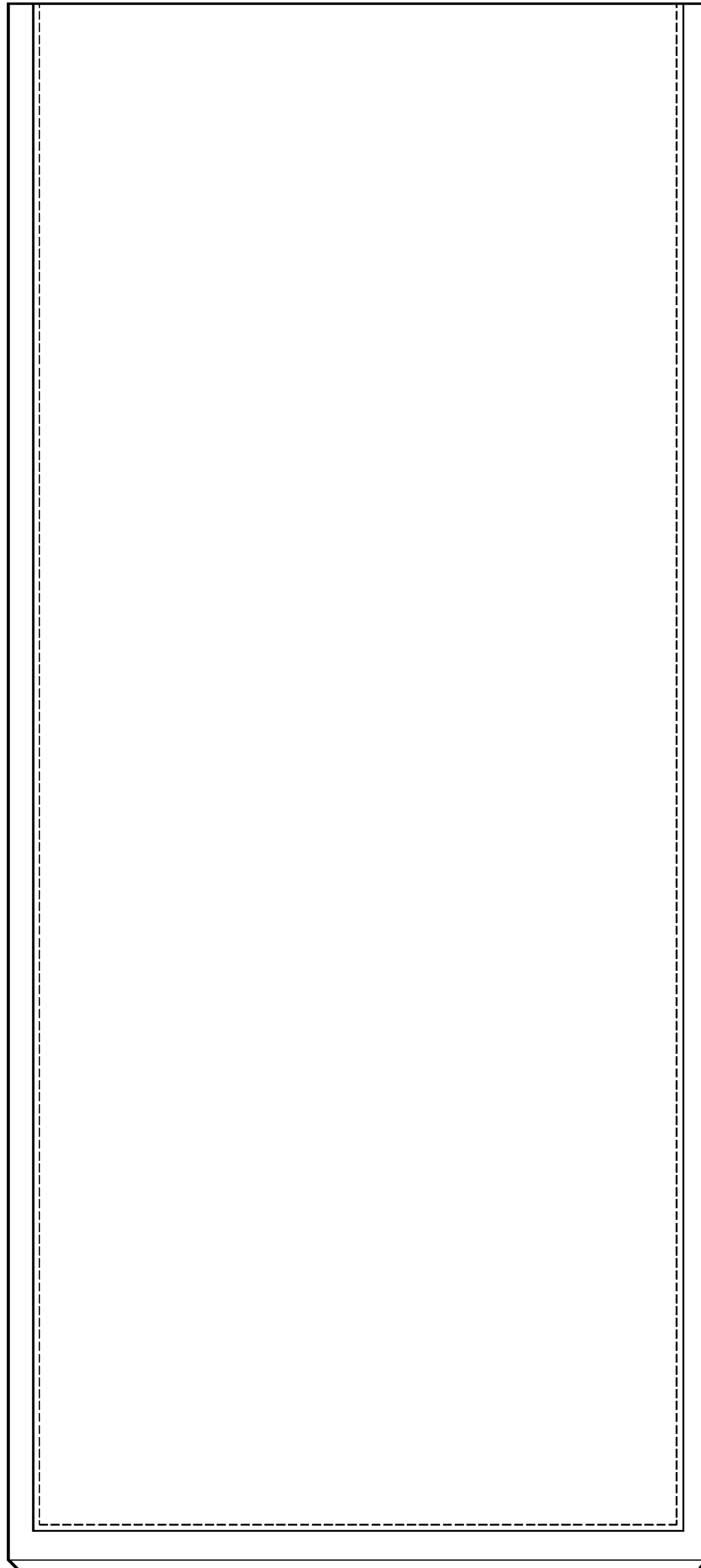
*FIG. 11*



*FIG. 12*



*FIG. 13*



*FIG. 14*