



US00D612795S

(12) **United States Design Patent**
Tirey et al.

(10) **Patent No.:** **US D612,795 S**
(45) **Date of Patent:** **** Mar. 30, 2010**

(54) **FLAT ROOF OVERHEAD CONSOLE OF A TRUCK VEHICLE**

(75) Inventors: **Robert Scott Tirey**, Fort Wayne, IN (US); **David L. Maher**, Fort Wayne, IN (US)

(73) Assignee: **Mahindra Navistar Automotives Limited** (IN)

(**) Term: **14 Years**

(21) Appl. No.: **29/343,753**

(22) Filed: **Sep. 18, 2009**

(51) **LOC (9) Cl.** **12-16**

(52) **U.S. Cl.** **D12/418**

(58) **Field of Classification Search** D12/415-426.1, D12/400, 195, 190, 345, 96, 99; 312/246; 296/37.1-37.8, 70, 24.1-24.3, 24.34; 224/311, 224/539, 281, 118.1, 188.5; 180/90; 439/34
See application file for complete search history.

(56) **References Cited**

U.S. PATENT DOCUMENTS

D225,987 S * 1/1973 Stewart D12/422
D245,414 S * 8/1977 Ashbaugh et al. D12/418

D256,229 S * 8/1980 Nichols D12/418
D259,633 S * 6/1981 Butler D12/418
D281,930 S * 12/1985 Engfer et al. D12/418
D295,969 S * 5/1988 Hooks et al. D12/424
D314,739 S * 2/1991 Mallone D12/424
D512,955 S * 12/2005 Misch D12/415
D580,345 S * 11/2008 Paxton et al. D12/418
D589,871 S * 4/2009 Bock D12/345
D592,585 S * 5/2009 Moburg et al. D12/418

* cited by examiner

Primary Examiner—Stacia Cadmus

(74) *Attorney, Agent, or Firm*—Jeffrey P. Calfa; Mark C. Bach; Gerald W. Askew

(57) **CLAIM**

The ornamental design for a flat roof overhead console of a truck vehicle, as shown and described.

DESCRIPTION

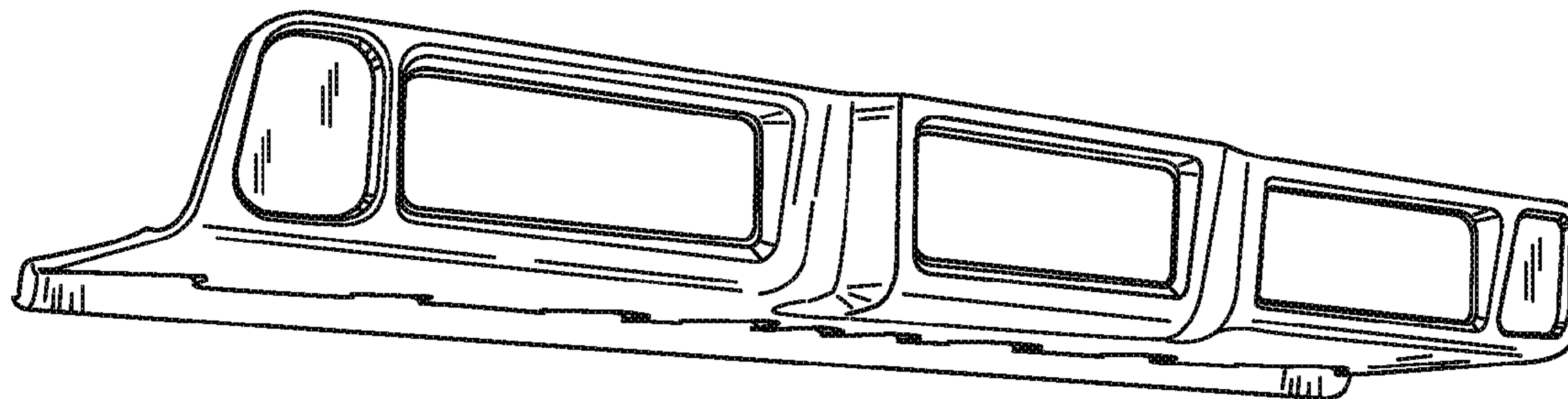
FIG. 1 is a right, front perspective view of a flat roof overhead console of a truck vehicle showing our new design;

FIG. 2 is a front view thereof;

FIG. 3 is a right view thereof; and,

FIG. 4 is a bottom view thereof.

1 Claim, 1 Drawing Sheet



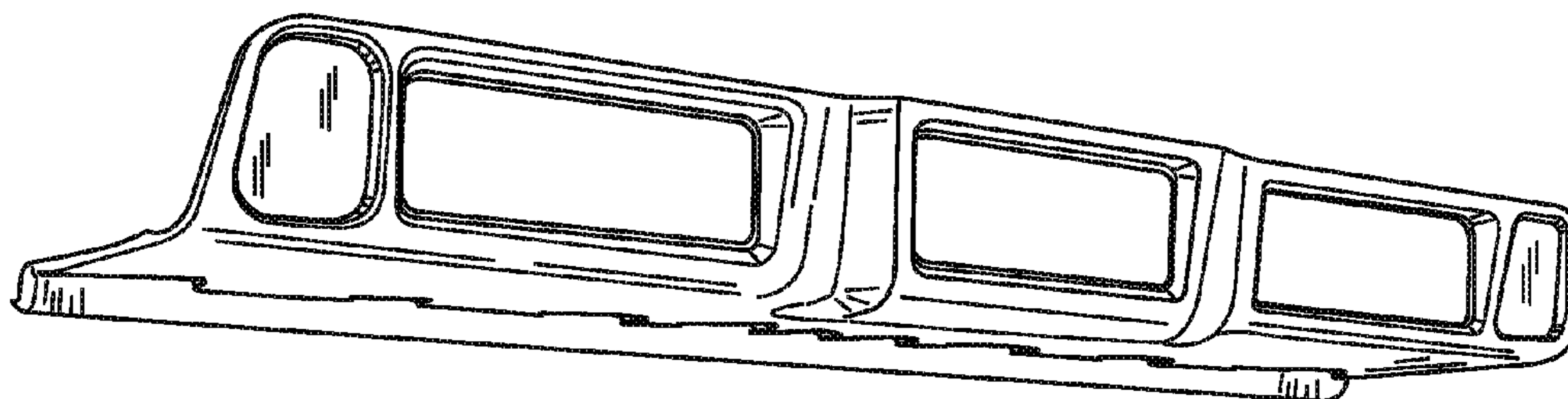


FIG. 1



FIG. 2



FIG. 3

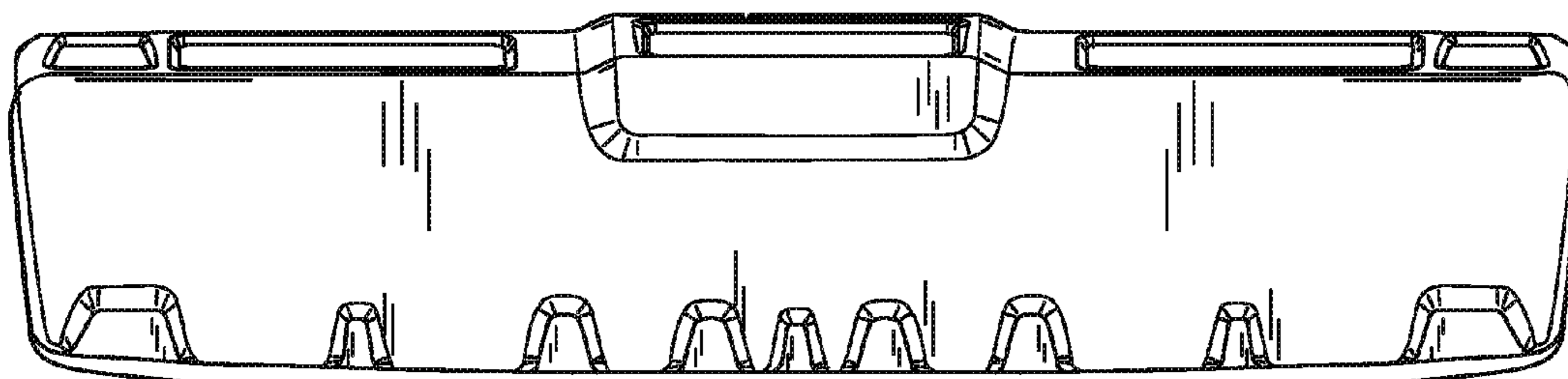


FIG. 4