



US00D612794S

(12) **United States Design Patent**  
**Dyson**

(10) **Patent No.:** **US D612,794 S**

(45) **Date of Patent:** **\*\* Mar. 30, 2010**

(54) **VEHICLE GLASSES**

2009/0033862 A1\* 2/2009 Margolis ..... 351/41

(76) Inventor: **Ivory E. Dyson**, P.O. Box 1018,  
Natalbany, LA (US) 70451

\* cited by examiner

(\*\*) Term: **14 Years**

*Primary Examiner*—Caron Veynar

*Assistant Examiner*—Katrina A Kile

(21) Appl. No.: **29/340,674**

(74) *Attorney, Agent, or Firm*—Roy, Kiesel, Keegan &  
DeNicols

(22) Filed: **Jul. 23, 2009**

(57) **CLAIM**

**Related U.S. Application Data**

The ornamental design for vehicle glasses, as shown and  
described.

(63) Continuation-in-part of application No. 29/312,367,  
filed on Oct. 17, 2008.

**DESCRIPTION**

(51) **LOC (9) Cl.** ..... **12-16**

FIG. 1 shows vehicle glasses in accordance with my new  
design;

(52) **U.S. Cl.** ..... **D12/400**

FIG. 2 is a front perspective view of vehicle glasses;

(58) **Field of Classification Search** ..... D12/400,

FIG. 3 is a front view of vehicle glasses;

D12/83, 86, 91; D16/300, 306; 351/41–135  
See application file for complete search history.

FIG. 4 is a rear view of vehicle glasses;

(56) **References Cited**

FIG. 5 is a top view of vehicle glasses;

**U.S. PATENT DOCUMENTS**

FIG. 6 is a bottom view of vehicle glasses; and,

D531,655 S \* 11/2006 Mangum ..... D16/326

FIG. 7 is a right side view of vehicle glasses. The left side  
view of vehicle glasses is a mirror image of the right side  
view.

D586,377 S \* 2/2009 Robles ..... D16/309

D603,445 S \* 11/2009 Carlow et al. .... D16/325

2006/0238700 A1\* 10/2006 Del Vecchio ..... 351/103

2006/0268218 A1\* 11/2006 Medana ..... 351/41

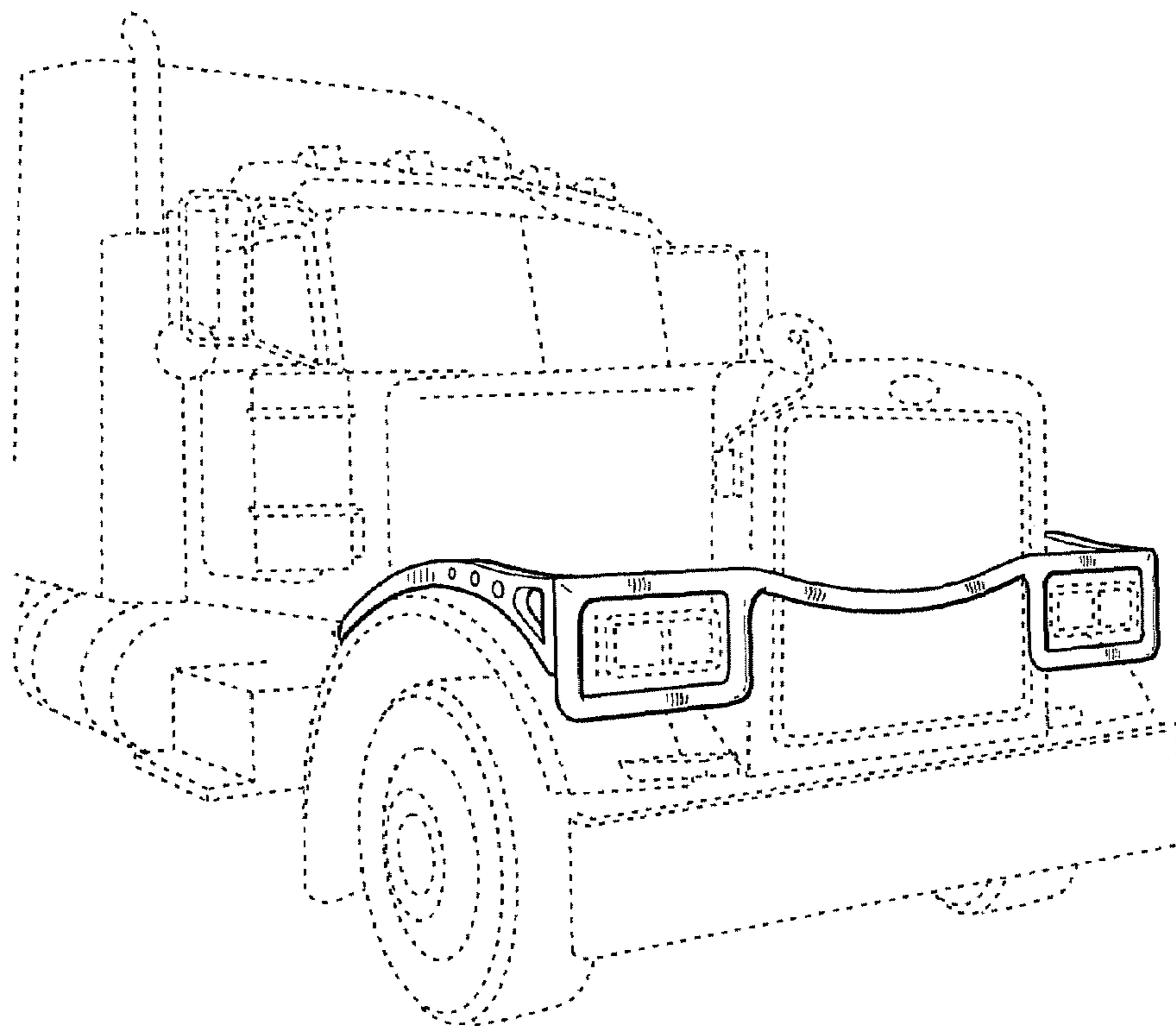
2007/0091253 A1\* 4/2007 Chao ..... 351/59

2008/0002142 A1\* 1/2008 Wang ..... 351/57

2008/0180632 A1\* 7/2008 Chen ..... 351/83

In the drawings, the broken lines in FIGS. 1 and 7 show a  
truck and form no part of the claimed design.

**1 Claim, 3 Drawing Sheets**



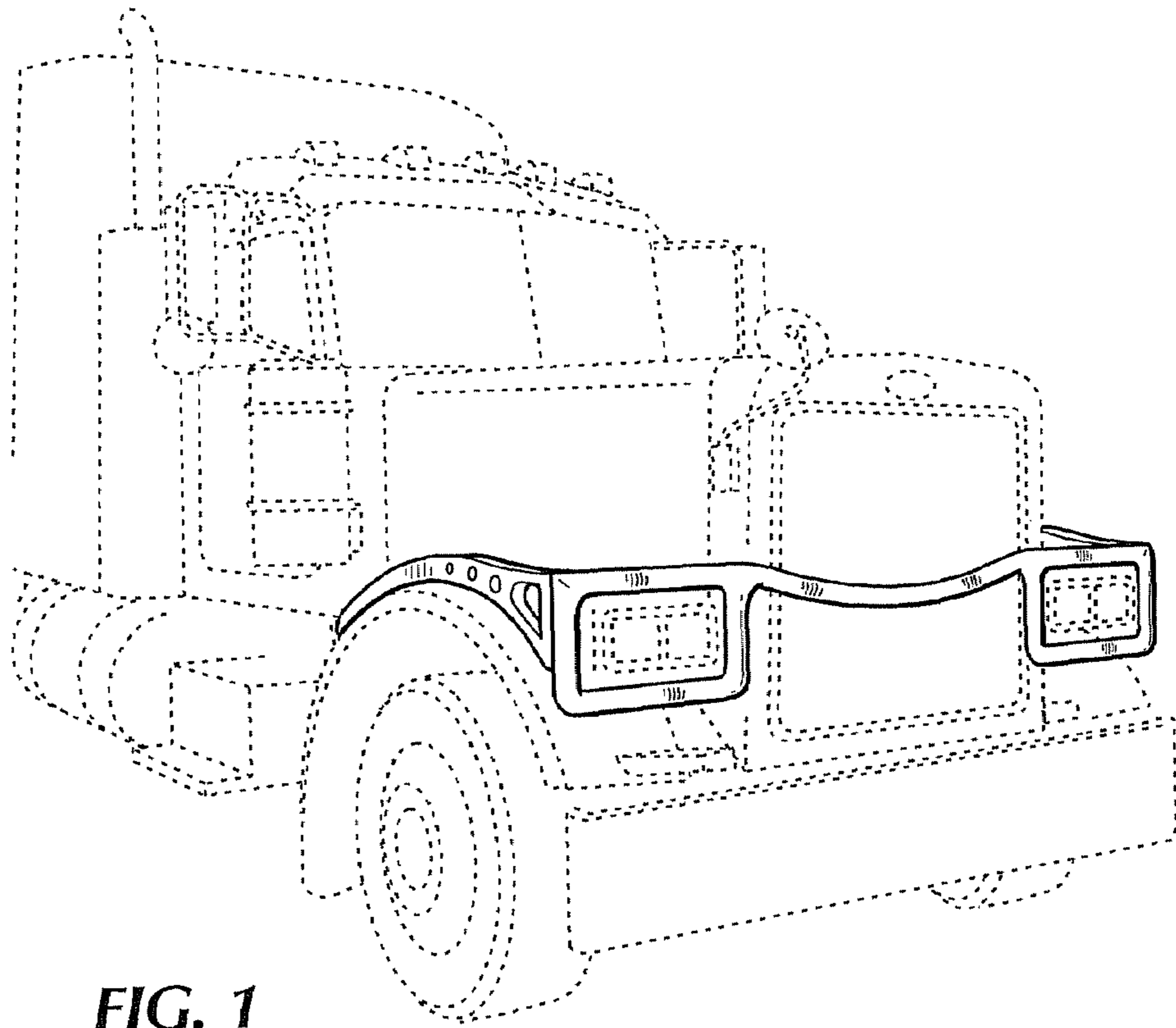


FIG. 1

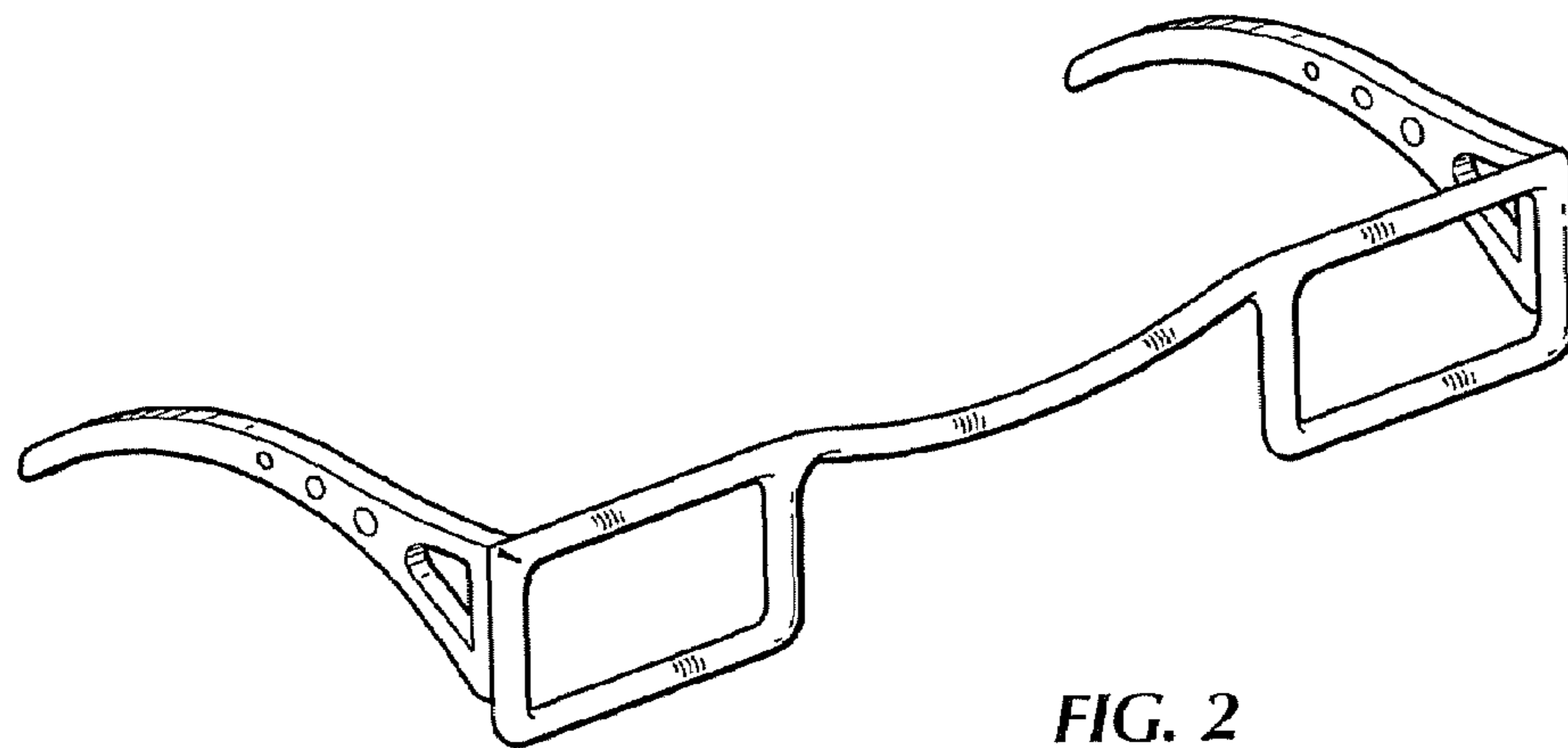
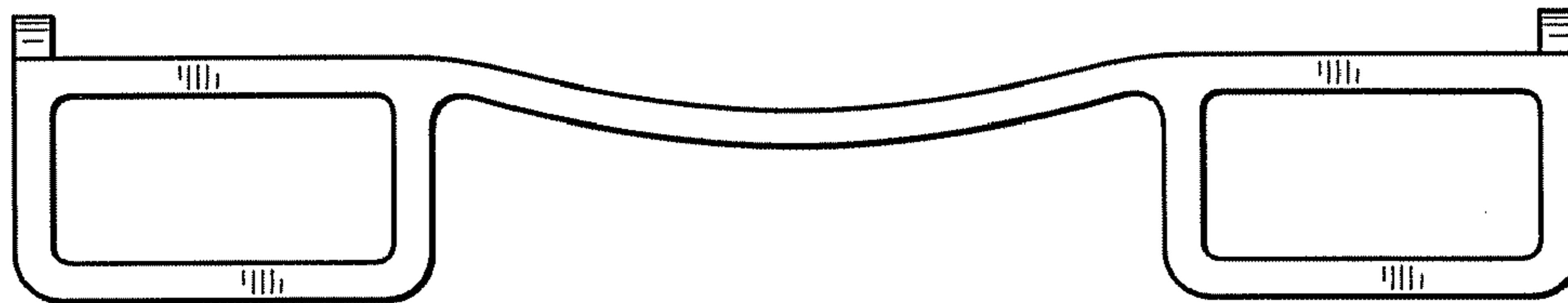
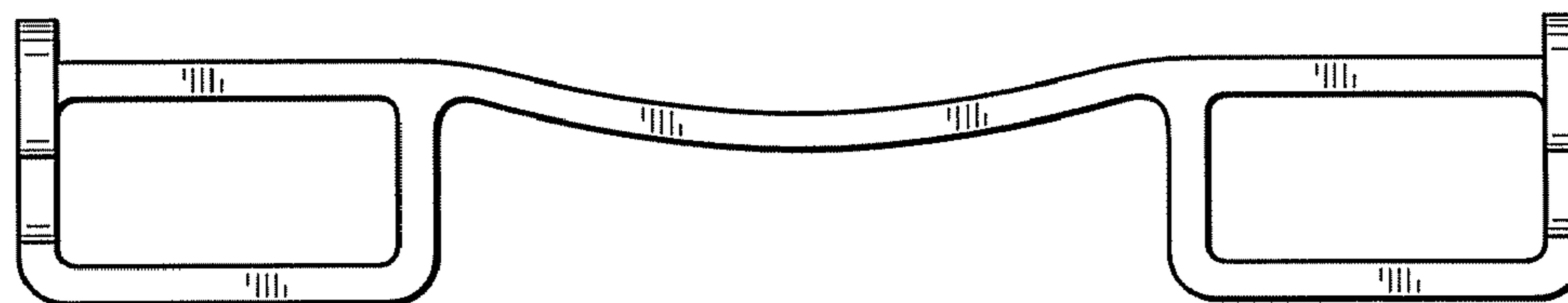


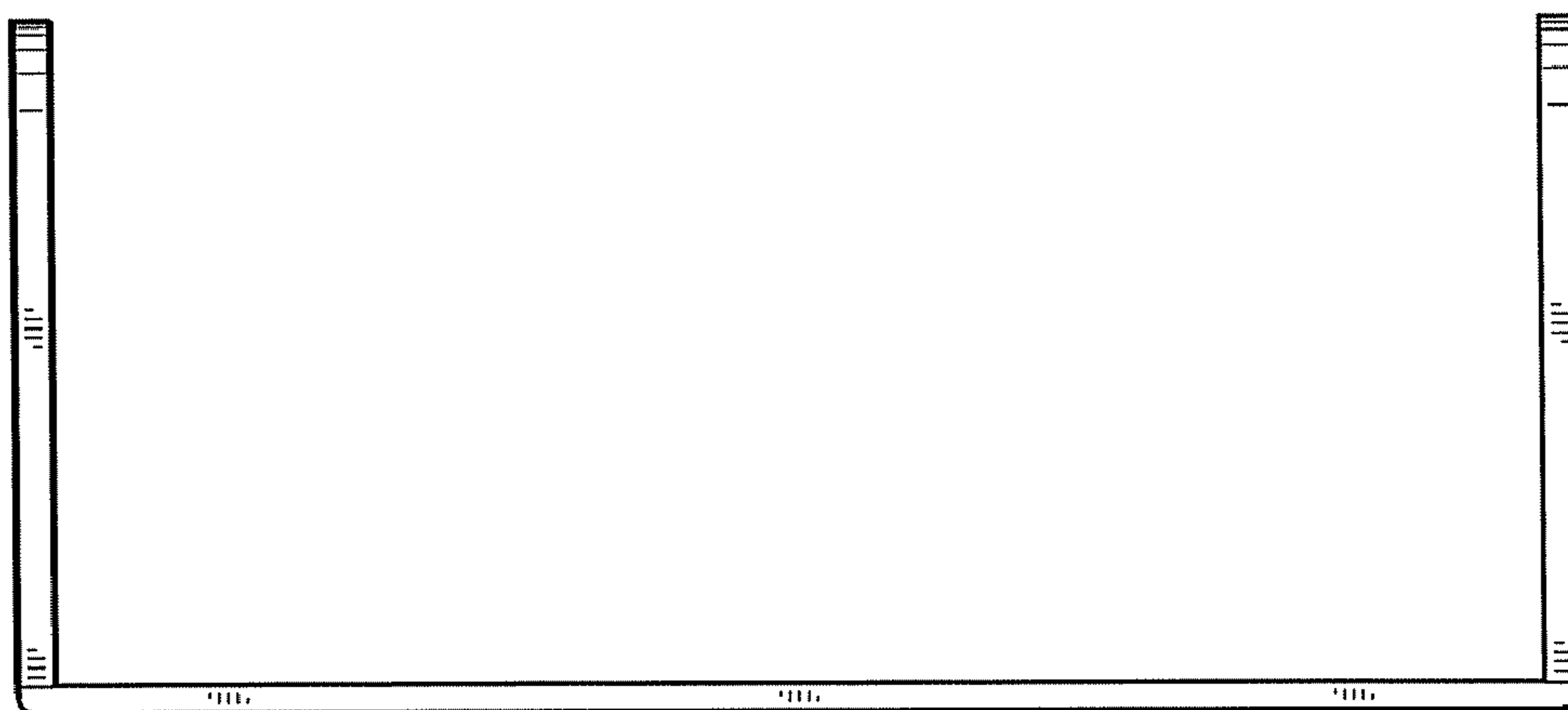
FIG. 2



*FIG. 3*



*FIG. 4*



*FIG. 5*

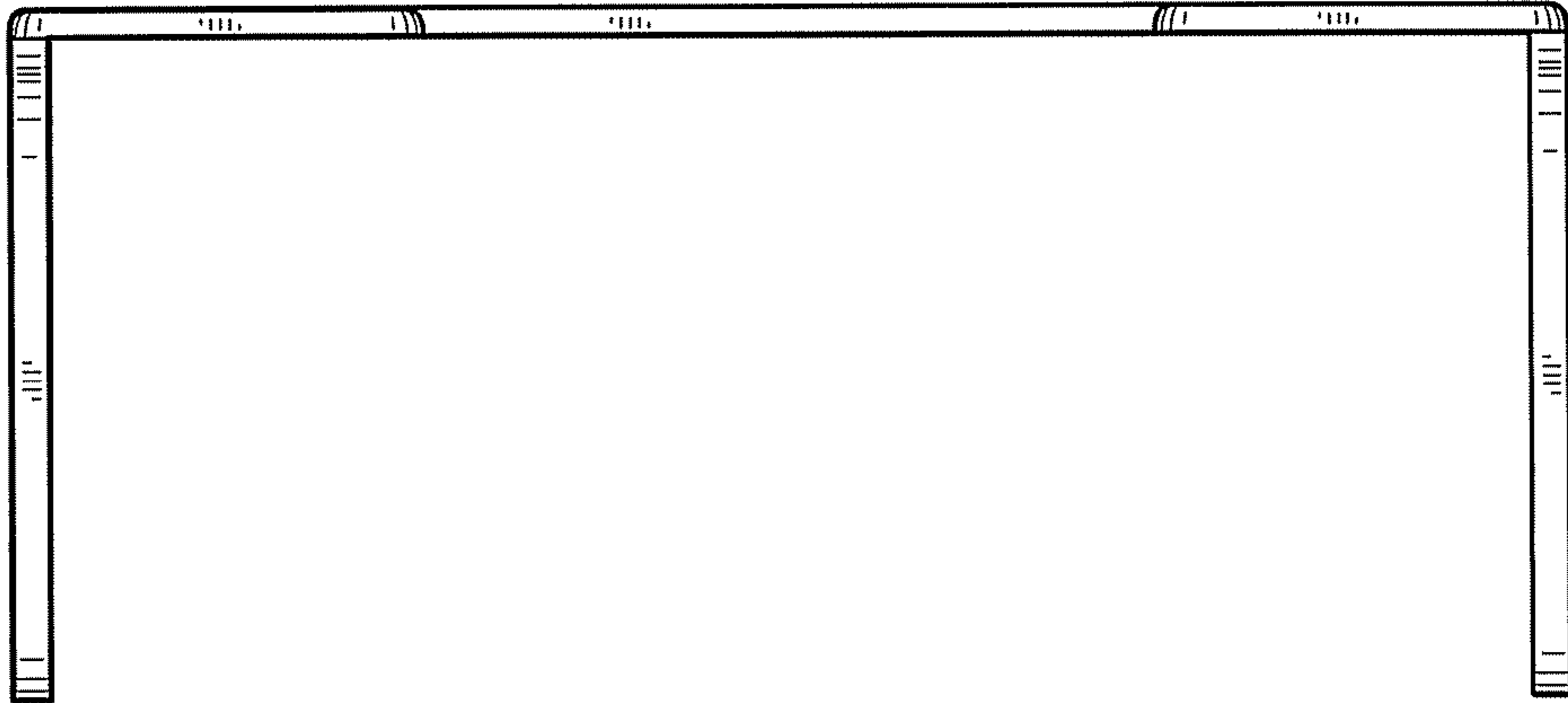


FIG. 6

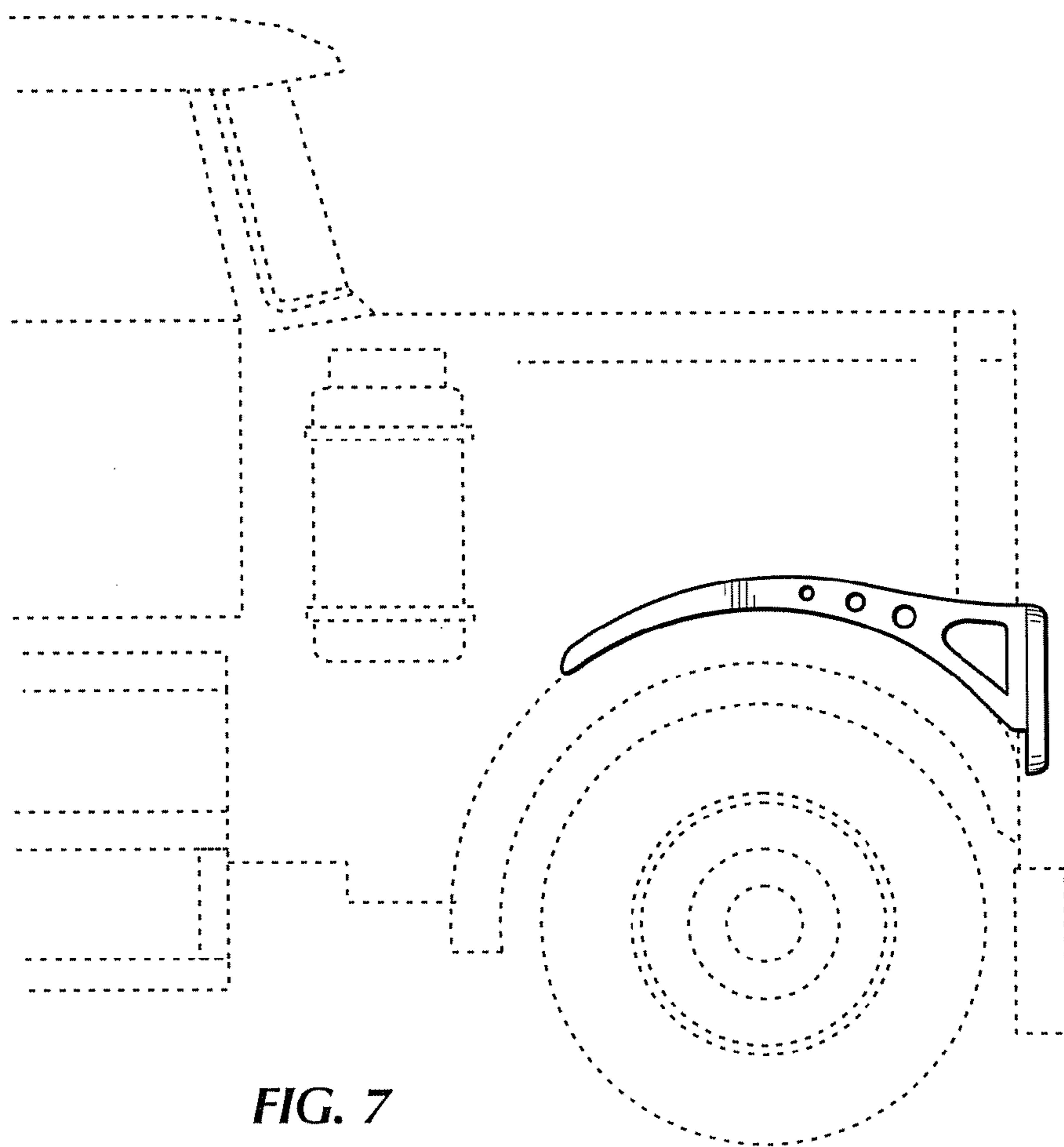


FIG. 7