



US00D612793S

(12) **United States Design Patent**
Ritts

(10) **Patent No.:** **US D612,793 S**
(45) **Date of Patent:** **** Mar. 30, 2010**

- (54) **AIRCRAFT LUGGAGE BIN**
- (75) Inventor: **Michael A. Ritts**, Anacortes, WA (US)
- (73) Assignee: **The Boeing Company**, Chicago, IL (US)
- (**) Term: **14 Years**
- (21) Appl. No.: **29/304,071**
- (22) Filed: **Feb. 25, 2008**

- D463,357 S * 9/2002 Granzeier et al. D12/345
- 6,484,965 B1 11/2002 Reaves
- D466,723 S * 12/2002 Heidmann et al. D6/441
- 6,598,829 B2 7/2003 Kamstra et al.
- 6,886,781 B2 * 5/2005 Lau et al. 244/118.1
- 6,899,299 B2 * 5/2005 Ritts 244/118.5
- 7,118,068 B2 * 10/2006 Graf et al. 244/118.5
- 7,121,510 B2 * 10/2006 Ritts 244/118.5
- D533,129 S 12/2006 Guard et al.

Related U.S. Application Data

- (62) Division of application No. 29/164,558, filed on Jul. 26, 2002, now Pat. No. Des. 562,756.

- (51) **LOC (9) Cl.** **12-07**
- (52) **U.S. Cl.** **D12/345**
- (58) **Field of Classification Search** D12/345, D12/423, 44, 42, 319, 414.1, 415, 416, 421, D12/424, 426, 426.1, 419; D6/356, 511, D6/332, 336, 337, 338, 492; 224/29.5, 405; 296/146.16, 24.34; 244/118.1, 118.5, 118.6, 244/119, 122 AH

See application file for complete search history.

(56) **References Cited**

U.S. PATENT DOCUMENTS

- 3,102,607 A 9/1963 Roberts
- 4,257,942 A 3/1981 DeFeo et al.
- 4,275,942 A * 6/1981 Steidl 312/266
- 4,368,937 A 1/1983 Palombo et al.
- 5,129,597 A 7/1992 Manthey et al.
- 5,203,619 A 4/1993 Welsch et al.
- 5,244,269 A 9/1993 Harriehausen et al.
- 5,441,218 A 8/1995 Mueller et al.
- 5,535,852 A 7/1996 Bishop et al.
- 5,934,615 A * 8/1999 Treichler et al. 244/118.5
- 6,045,204 A 4/2000 Frazier et al.
- 6,073,642 A 6/2000 Huang et al.
- 6,227,635 B1 * 5/2001 Teppo et al. 312/328
- D457,480 S * 5/2002 Natsume et al. D12/345
- 6,398,163 B1 * 6/2002 Welch et al. 244/118.1

(Continued)

FOREIGN PATENT DOCUMENTS

- DE 4029628 10/1991

Primary Examiner—Cathron C Brooks
Assistant Examiner—Kevin K Rudzinski
 (74) *Attorney, Agent, or Firm*—Perkins Coie LLP

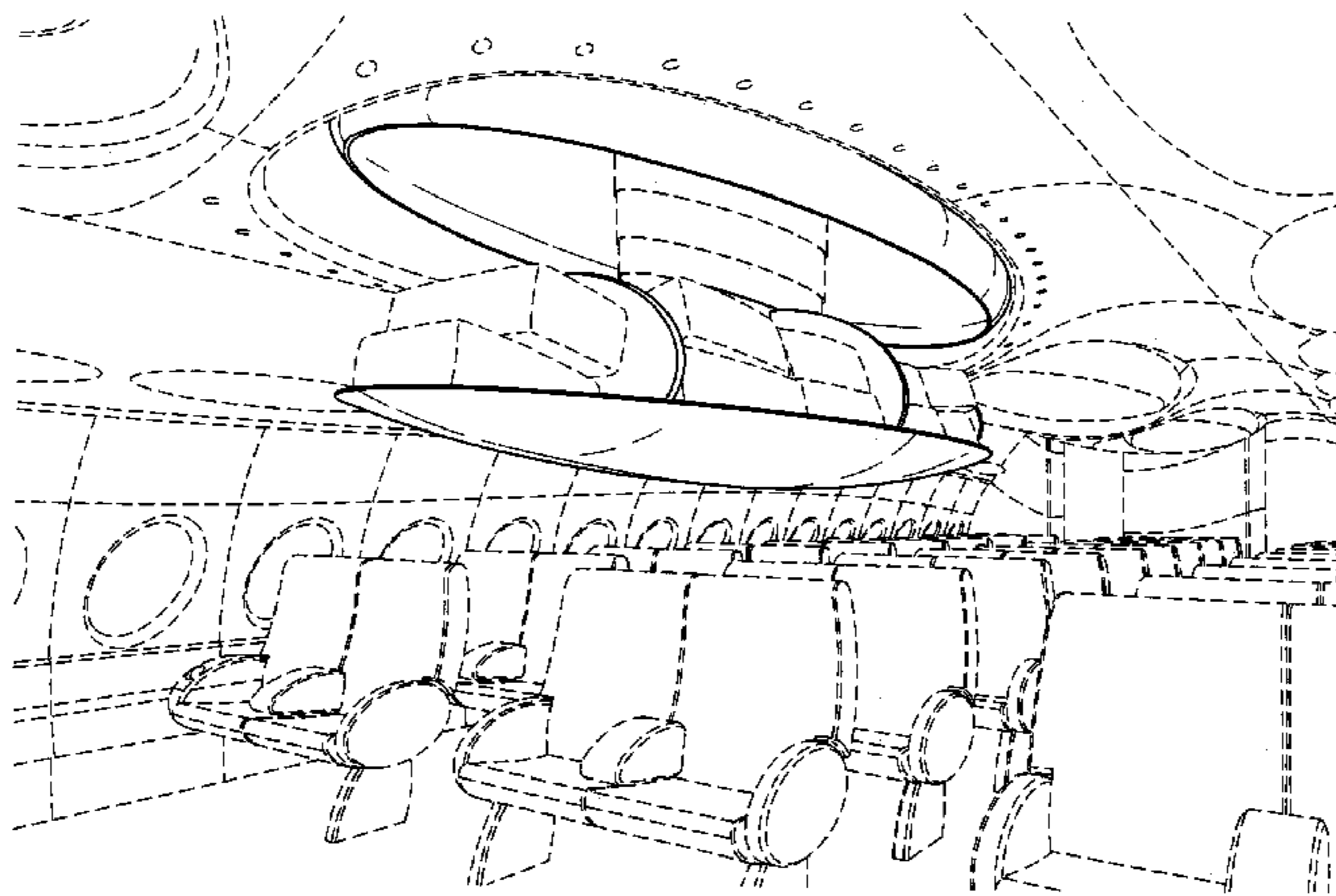
(57) **CLAIM**

The ornamental design for an aircraft luggage bin, as shown and described.

DESCRIPTION

FIG. 1 is a front perspective view of an aircraft luggage bin showing my new design in a typical environment.
 FIG. 2 is an isolated front perspective view thereof.
 FIG. 3 is a front cross-sectional view taken along line 3—3 in FIG. 4, the rear cross-sectional view being a mirror image.
 FIG. 4 is a right side elevation view thereof; and,
 FIG. 5 is a bottom plan view thereof.
 The broken lines shown are included for the purpose of illustrating environmental structure and form no part of the claimed design.

1 Claim, 4 Drawing Sheets



US D612,793 S

Page 2

U.S. PATENT DOCUMENTS	2004/0140398 A1*	7/2004	Lau et al.	244/118.1	
D539,210 S	3/2007	Guard et al.			
2002/0101090 A1*	8/2002	Steingrebe et al.	296/37.8		* cited by examiner

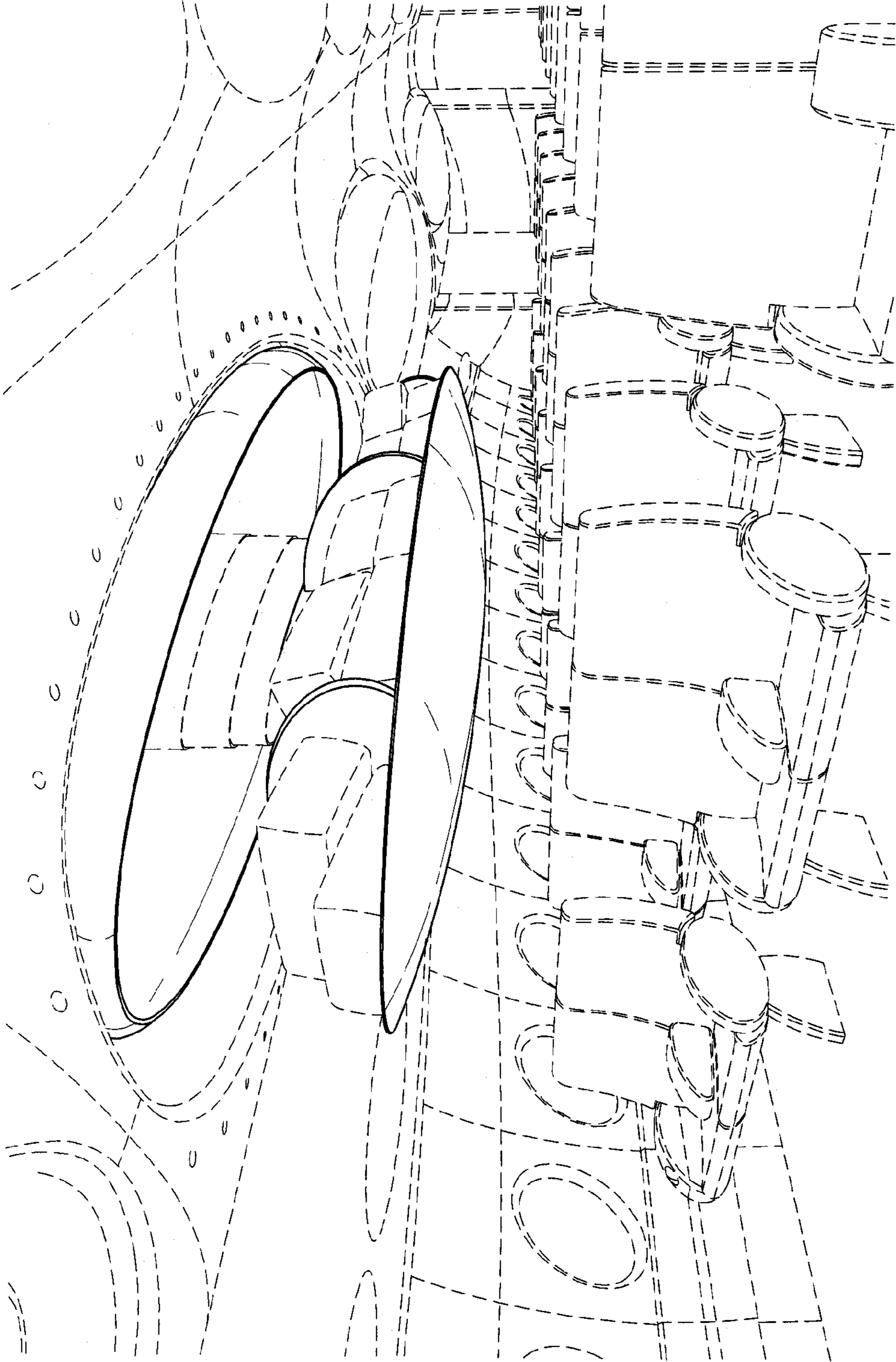


Fig. 1

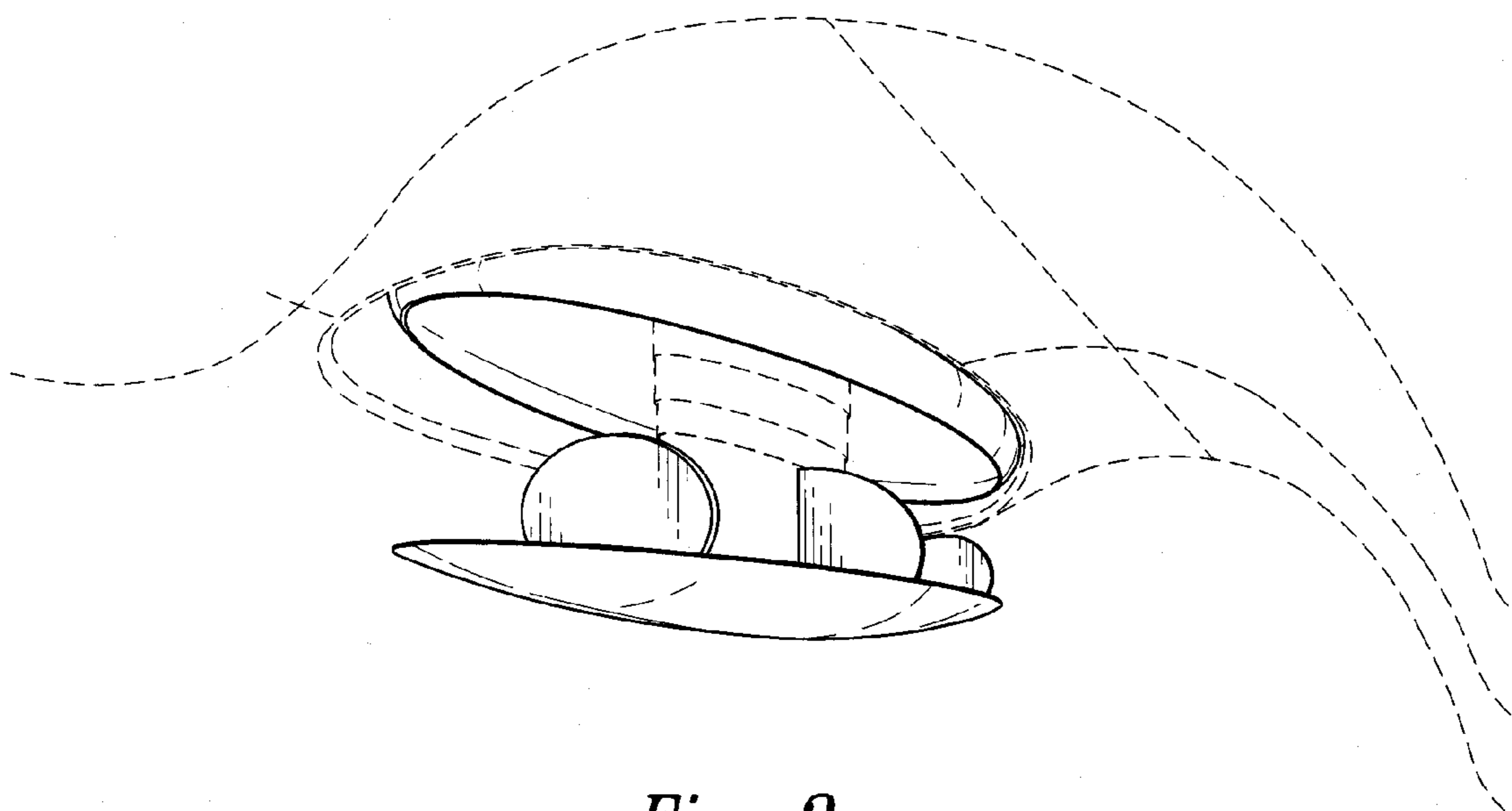


Fig. 2

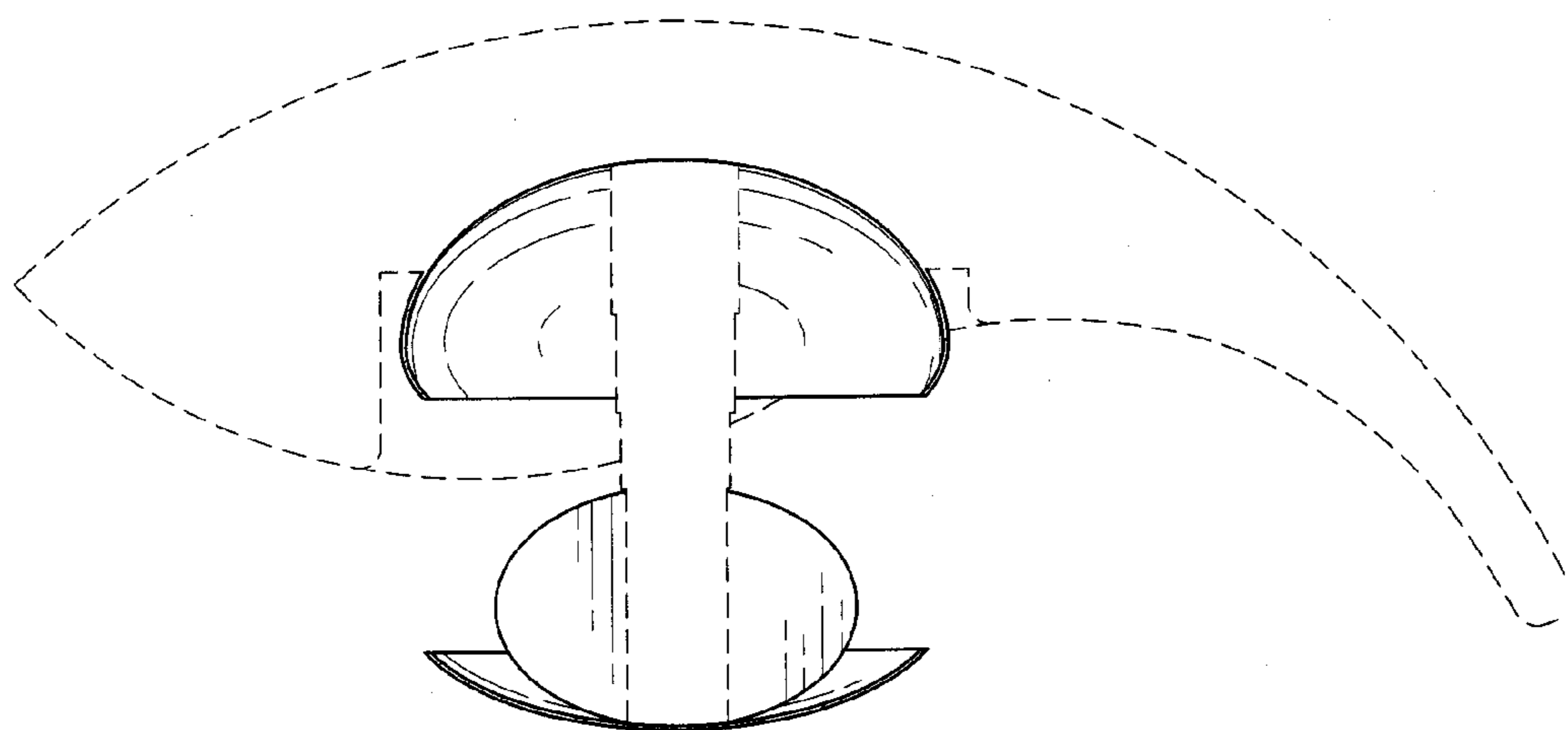


Fig. 3

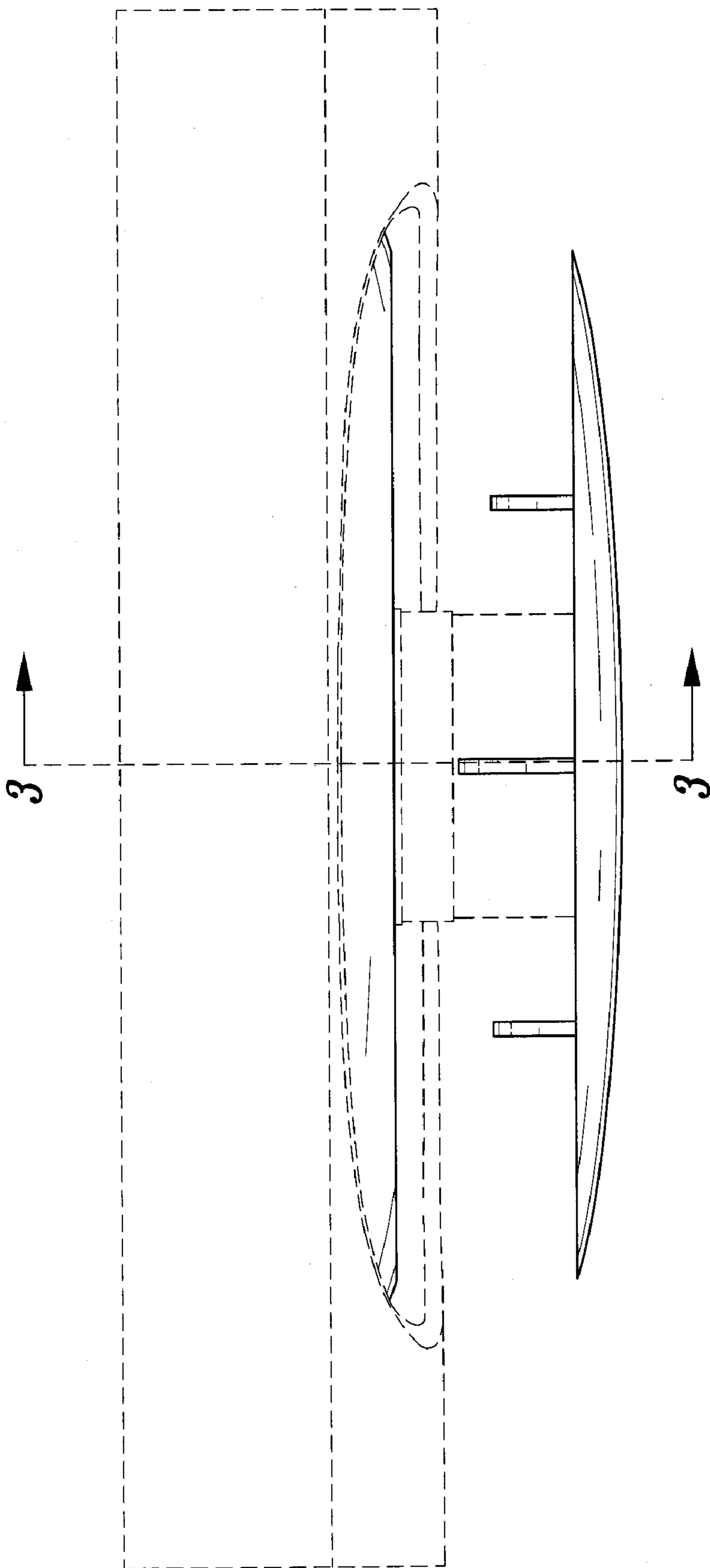


Fig. 4

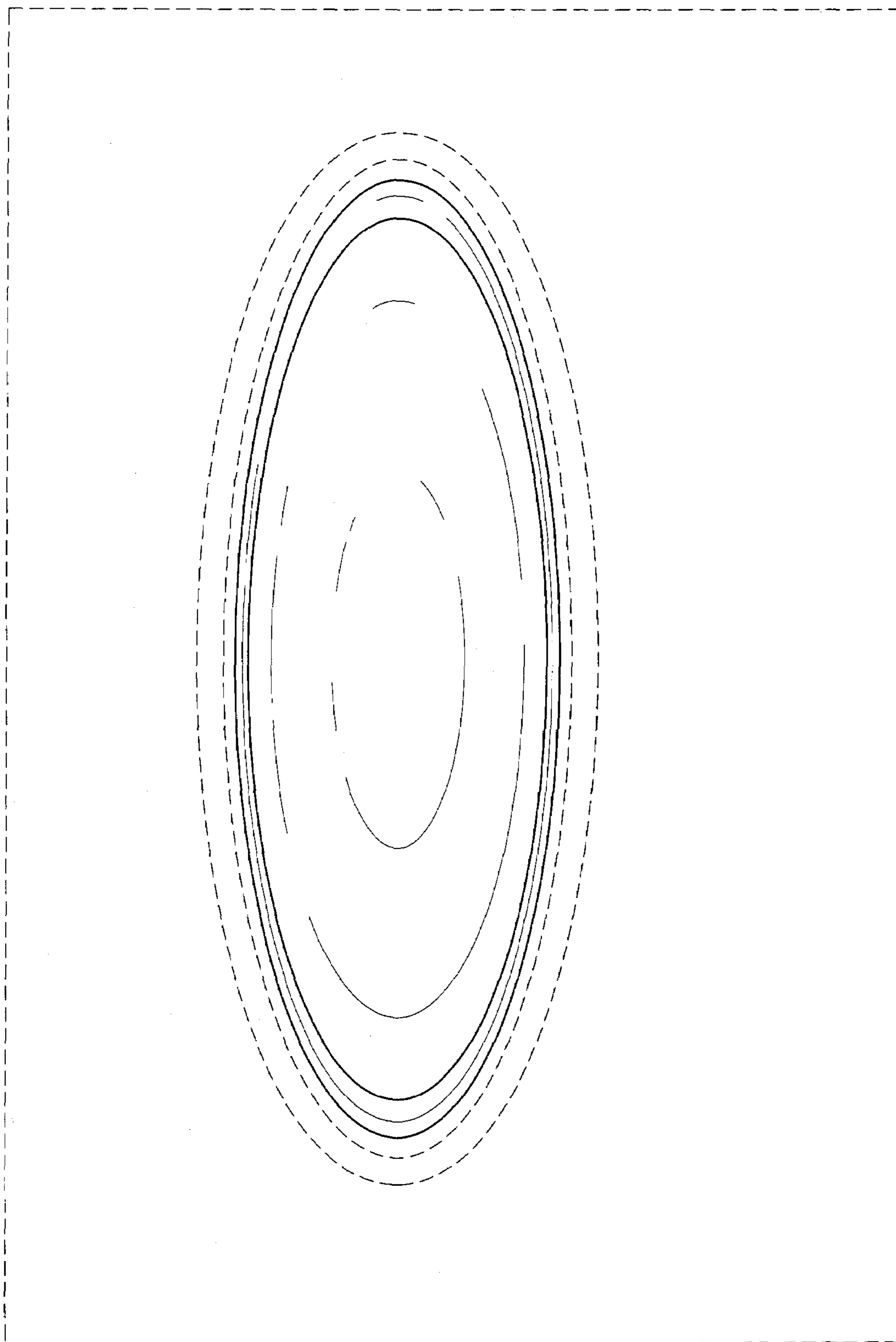


Fig. 5