



US00D612790S

(12) **United States Design Patent**
Tant et al.

(10) **Patent No.:** **US D612,790 S**
(45) **Date of Patent:** **** Mar. 30, 2010**

(54) **VEHICLE WHEEL**

D544,426 S 6/2007 Siler
D566,641 S 4/2008 Fuligni
D581,853 S * 12/2008 Rak D12/211

(75) Inventors: **Sean William Tant**, Livonia, MI (US);
Patrick J. Schiavone, Bloomfield, MI
(US); **George Bucher**, Dearborn, MI
(US)

(73) Assignee: **Ford Motor Company**, Dearborn, MI
(US)

(**) Term: **14 Years**

(21) Appl. No.: **29/323,630**

(22) Filed: **Aug. 28, 2008**

(51) **LOC (9) Cl.** **12-16**

(52) **U.S. Cl.** **D12/211**

(58) **Field of Classification Search** D12/204-213;
301/37.101, 64.101, 65

See application file for complete search history.

(56) **References Cited**

U.S. PATENT DOCUMENTS

D440,535 S * 4/2001 Penzes D12/211
D519,899 S 5/2006 Metros
D520,432 S 5/2006 Metros
D520,435 S * 5/2006 Kulla et al. D12/211
D523,384 S 6/2006 Metros
D526,265 S * 8/2006 Muzzarelli D12/209
D528,061 S 9/2006 Saridakis et al.
D529,426 S 10/2006 Metros
D534,113 S 12/2006 Metros
D540,732 S 4/2007 Metros

OTHER PUBLICATIONS

OEM RIMS Factory Wheels Stock Rim Chrome Replica Wheel Used
Rims Wheels O. . . <http://www.finishlinewheels.com/specials/11,FORD%2BTRUCK/>.

<http://www.pickuptruck.com/html/news/ford/raptor/page12008.html>.

Detroit Wheel and Tire: Product Search <http://www.detroitwheelandtire.com/search/?make=149&year=2008&model=675>.

2005 Chicago Auto Show, Ford, F150 Harley Davidson.

2008 Detroit Auto Show, Ford, F150 Platinum.

* cited by examiner

Primary Examiner—Elizabeth A Albert

Assistant Examiner—Kelley A Donnelly

(74) *Attorney, Agent, or Firm*—Damian Porcari

(57) **CLAIM**

An ornamental design for a vehicle wheel, as shown and described.

DESCRIPTION

FIG. 1 is a front view of a vehicle wheel; and,

FIG. 2 is a perspective view of the vehicle wheel.

The broken lines in the drawings are for environmental purposes only and form no part of the claimed design.

1 Claim, 2 Drawing Sheets





Figure 1

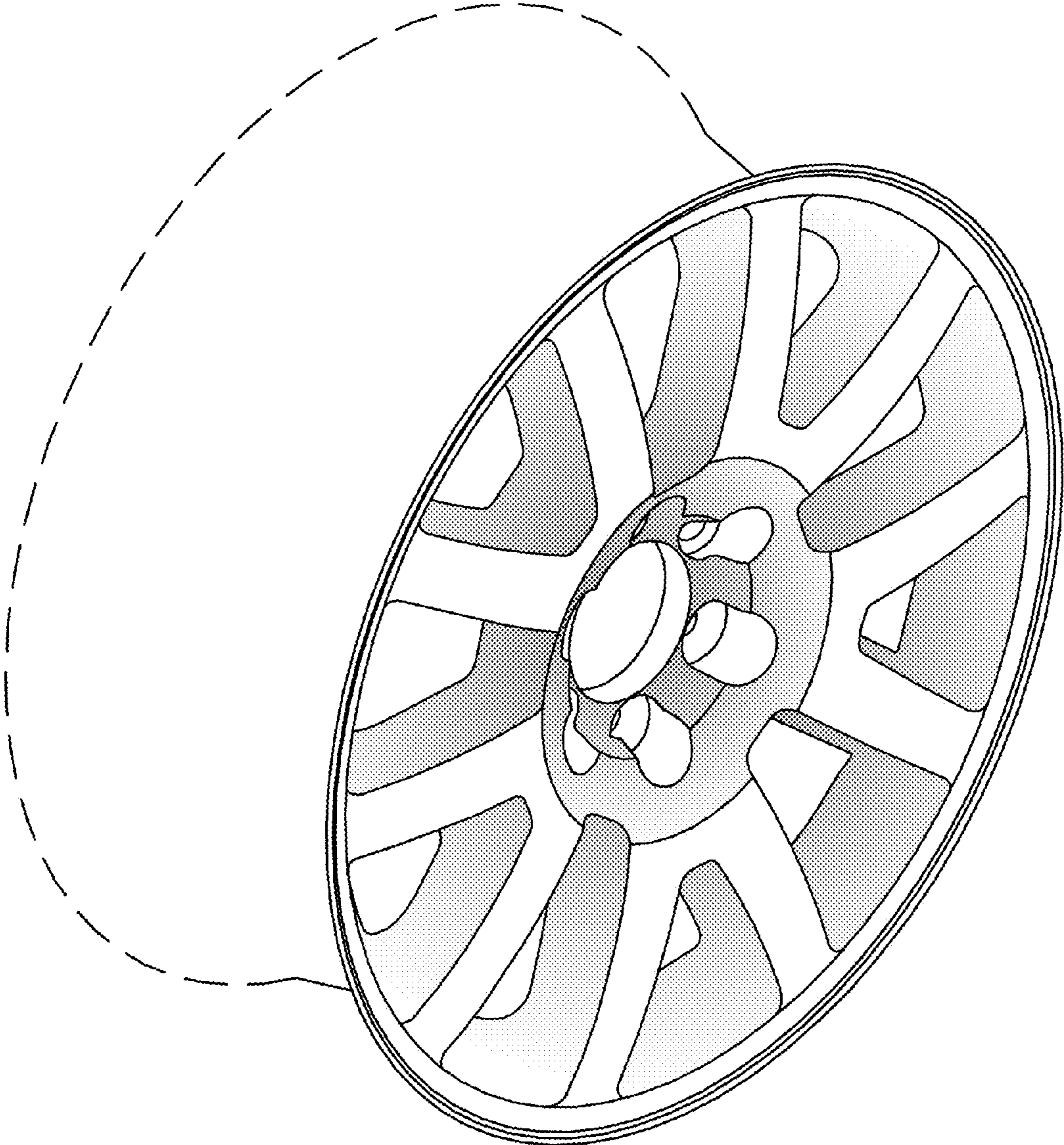


Figure 2