



US00D612788S

(12) **United States Design Patent**
Junker

(10) **Patent No.:** **US D612,788 S**

(45) **Date of Patent:** **** Mar. 30, 2010**

(54) **WHEEL OR WHEEL COVER**

(75) Inventor: **Lydia Junker**, Engelsberg (DE)

(73) Assignee: **Bayerische Motoren Werke Aktiengesellschaft**, Munich (DE)

(**) Term: **14 Years**

(21) Appl. No.: **29/347,017**

(22) Filed: **Aug. 24, 2009**

(30) **Foreign Application Priority Data**

Feb. 25, 2009 (DE) 402009001117

(51) **LOC (9) Cl.** **12-16**

(52) **U.S. Cl.** **D12/209**

(58) **Field of Classification Search** D12/204-213;
301/37.101, 64.101, 65, 64.201

See application file for complete search history.

(56) **References Cited**

U.S. PATENT DOCUMENTS

- D390,822 S * 2/1998 Neeper D12/209
- D398,277 S * 9/1998 Neeper D12/209
- D409,130 S * 5/1999 Brown et al. D12/209
- D415,090 S * 10/1999 Pruden D12/209
- D421,591 S * 3/2000 Chrysanto D12/209
- D451,461 S * 12/2001 Arellano D12/209
- D460,396 S * 7/2002 Kember et al. D12/209

- D485,524 S * 1/2004 Bhambra D12/209
- D491,124 S * 6/2004 Rice D12/209
- D532,736 S * 11/2006 Ettensberger D12/209
- D554,035 S * 10/2007 Groom D12/209
- D560,585 S 1/2008 Blasi
- D585,805 S * 2/2009 Friedrich et al. D12/209
- D586,280 S * 2/2009 Blasi D12/209
- D593,920 S * 6/2009 Juergens et al. D12/209
- D594,800 S * 6/2009 Blasi D12/209

FOREIGN PATENT DOCUMENTS

EM 000624812-0004 3/2008

* cited by examiner

Primary Examiner—Stacia Cadmus

(74) *Attorney, Agent, or Firm*—Crowell & Moring LLP

(57) **CLAIM**

The ornamental design for a wheel or wheel cover, as shown and described.

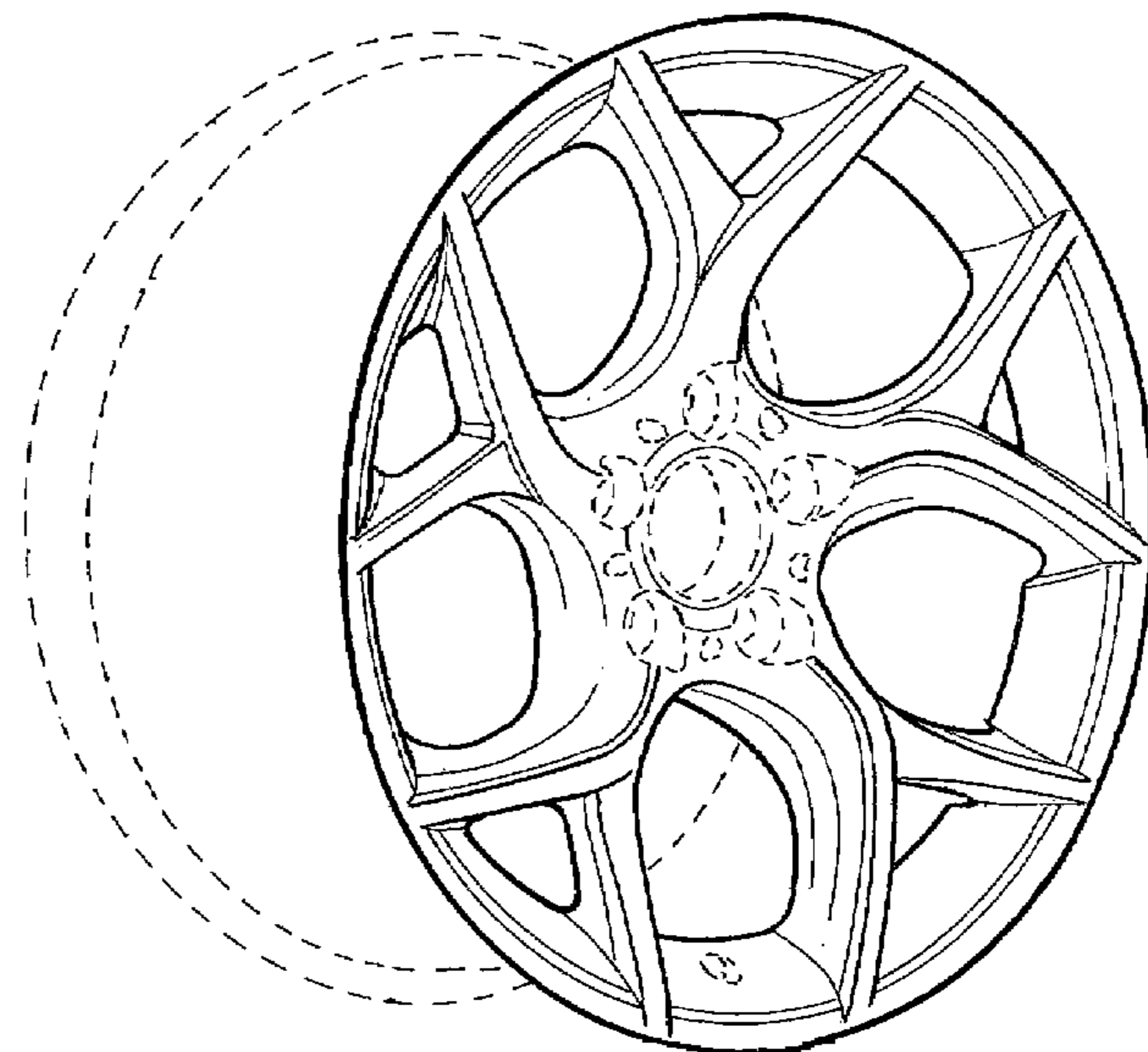
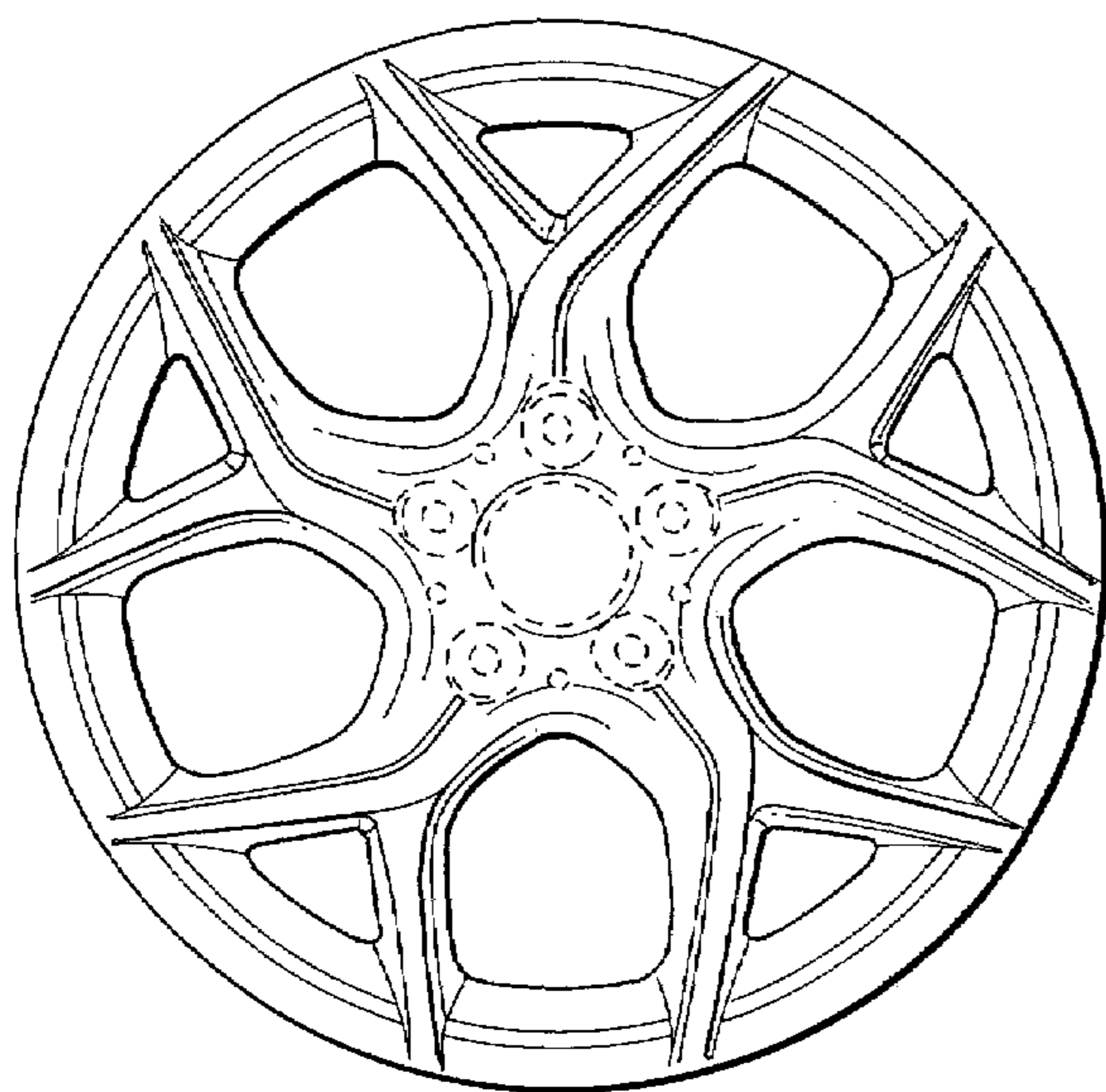
DESCRIPTION

FIG. 1 is a front view of a wheel or wheel cover according to my design; and,

FIG. 2 is a perspective view thereof.

The broken line showing of the rear of the rim and the bolt holes in the central hub area is included for the purpose of illustrating environment and forms no part of the claimed design.

1 Claim, 1 Drawing Sheet



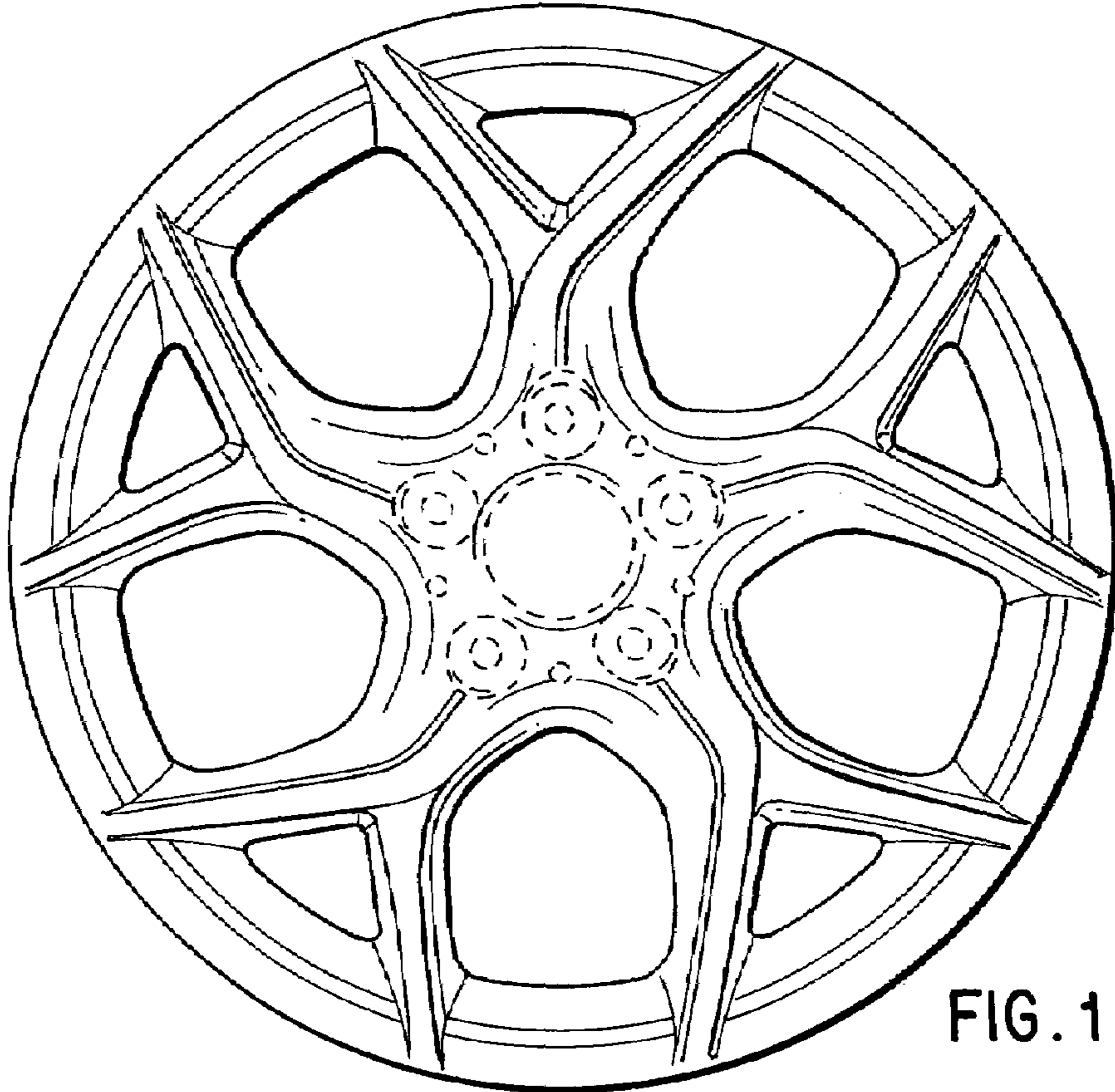


FIG. 1

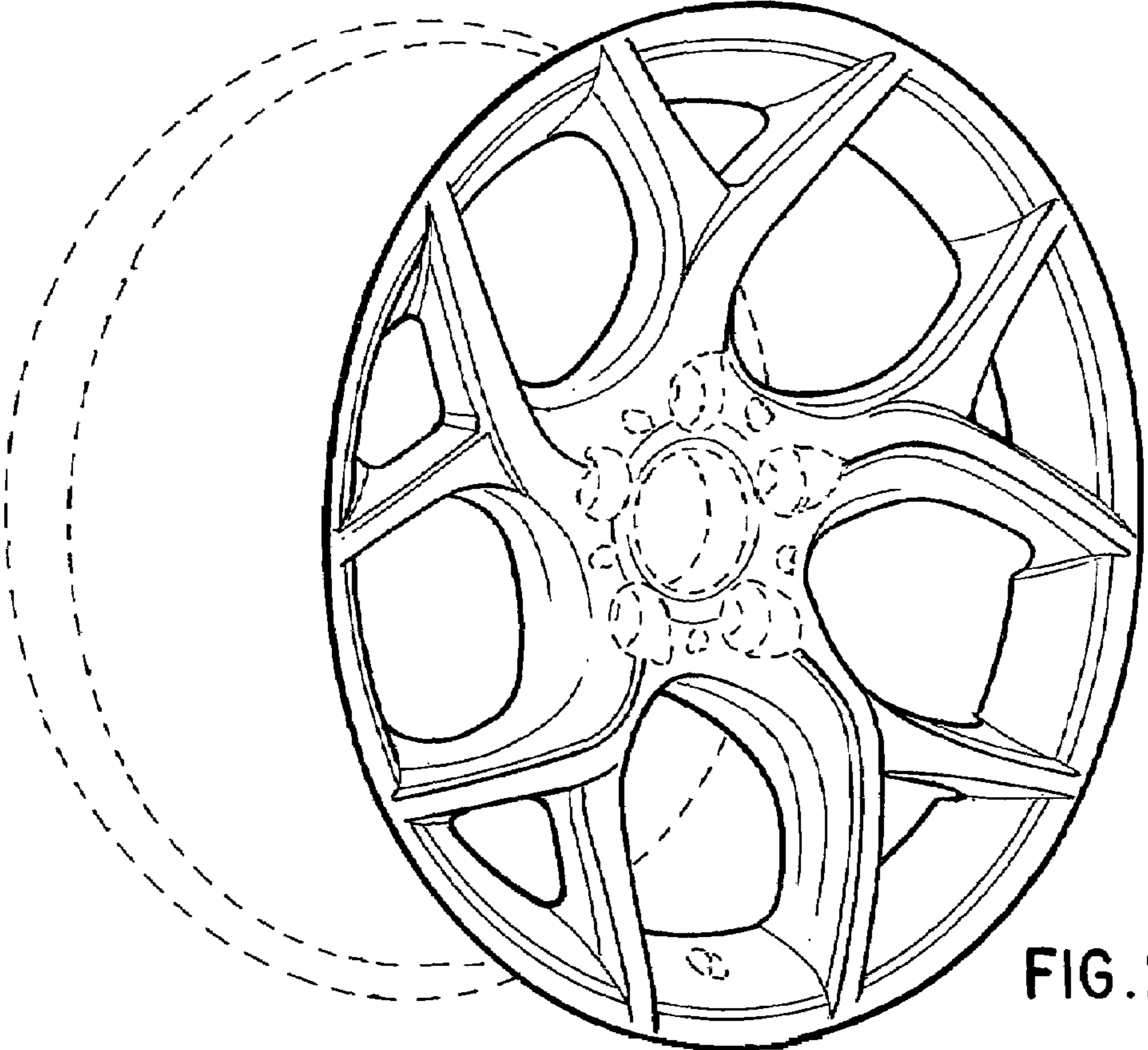


FIG. 2