



US00D612787S

(12) **United States Design Patent**
Juergens et al.

(10) **Patent No.:** **US D612,787 S**
(45) **Date of Patent:** **** Mar. 30, 2010**

(54) **WHEEL OR WHEEL COVER**

D597,015 S * 7/2009 Juergens et al. D12/211

(75) Inventors: **Dirk Juergens**, Munich (DE); **Rainer Mueller**, Munich (DE)

FOREIGN PATENT DOCUMENTS

(73) Assignee: **Bayerische Motoren Werke Aktiengesellschaft**, Munich (DE)

DE	M9309920.7	5/1994
DE	400010998.0	3/2001
DE	40107972.4	1/2002
EM	000090410-0002	3/2004
EM	000090410-0005	3/2004
EM	000141791-0002	6/2004
EM	000106513-0004	12/2004
EM	000304274-0001	5/2005
EM	000422795-0001	12/2005
EM	000422795-0003	12/2005
EM	000883715-0001	4/2008
EM	000936281-0004	5/2008
EM	000997572-0004	10/2008
EM	000997572-0006	10/2008
EM	000997572-0009	6/2009
WO	DM/059207	4/2002

(**) Term: **14 Years**

(21) Appl. No.: **29/347,010**

(22) Filed: **Aug. 24, 2009**

(30) **Foreign Application Priority Data**

Feb. 25, 2009 (DE) 402009001117

(51) **LOC (9) Cl.** **12-16**

(52) **U.S. Cl.** **D12/209**

(58) **Field of Classification Search** D12/204-213;
301/37.101, 64.101, 65, 64.201

See application file for complete search history.

* cited by examiner

Primary Examiner—Stacia Cadmus

(74) *Attorney, Agent, or Firm*—Crowell & Moring LLP

(56) **References Cited**

(57) **CLAIM**

U.S. PATENT DOCUMENTS

The ornamental design for a wheel or wheel cover, as shown and described.

D456,333 S	4/2002	Pollmann	
D494,917 S	8/2004	Pollmann	
D499,685 S	12/2004	Schaefers	
D499,686 S	* 12/2004	Song	D12/211
D515,493 S	2/2006	Schaefers	
D516,991 S	* 3/2006	Guevara	D12/211
D526,947 S	* 8/2006	Kim	D12/209
D526,948 S	* 8/2006	Truebsbach	D12/211
D527,333 S	8/2006	Blasi	
D528,957 S	* 9/2006	Kim	D12/209
D531,949 S	* 11/2006	Arora	D12/209
D546,748 S	* 7/2007	Young	D12/211
D560,588 S	* 1/2008	Cheng	D12/209
D569,323 S	* 5/2008	Laengerer	D12/211
D576,094 S	* 9/2008	Bernoni	D12/211
D578,053 S	* 10/2008	Neeper	D12/211
D583,742 S	* 12/2008	Juergens et al.	D12/211
D585,010 S	* 1/2009	Pollmann	D12/211
D593,922 S	* 6/2009	Blasi	D12/211

DESCRIPTION

This application contains subject matter related to the following pending U.S. design patent applications:

Application Ser. No. 29/309,914; and

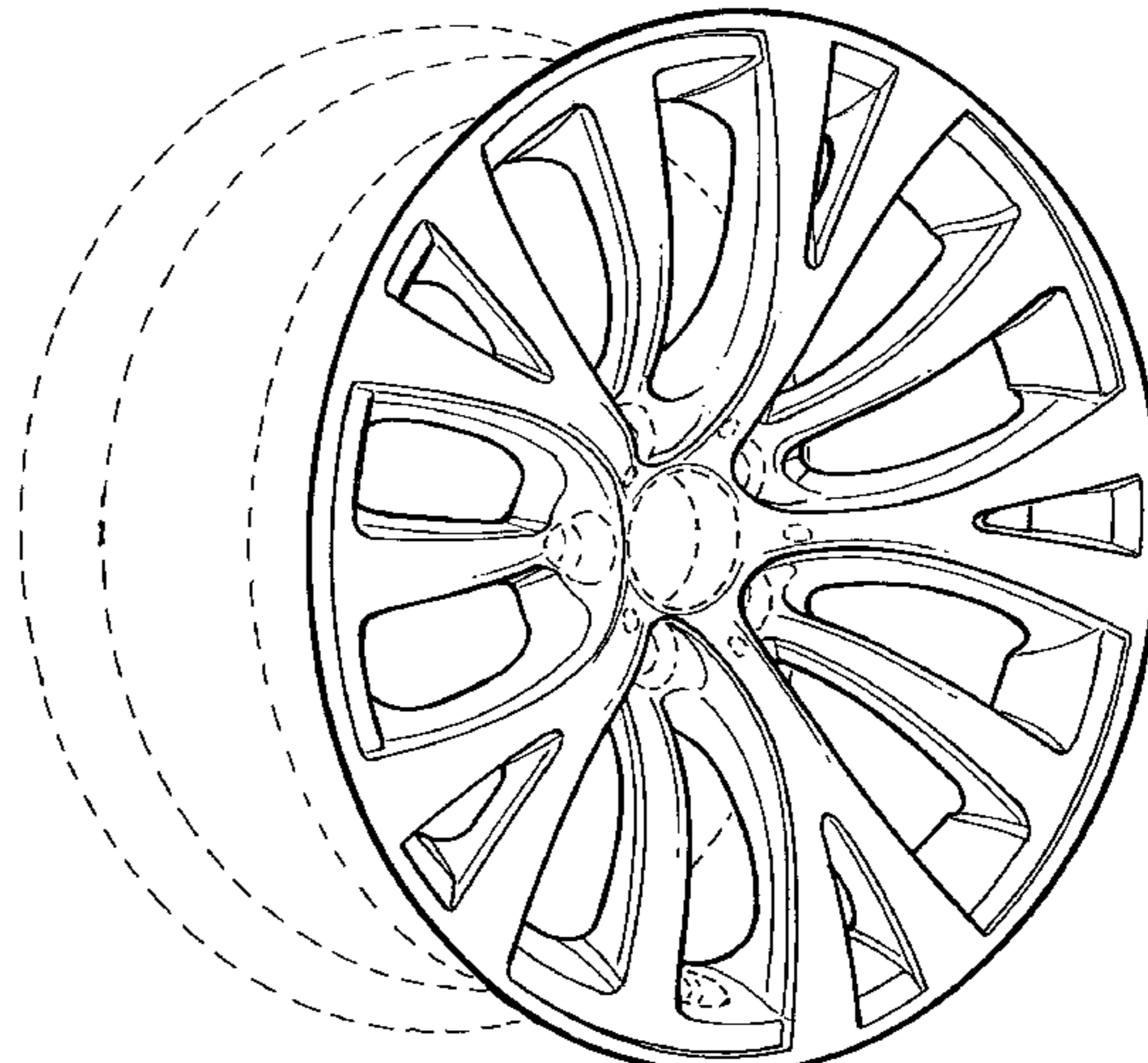
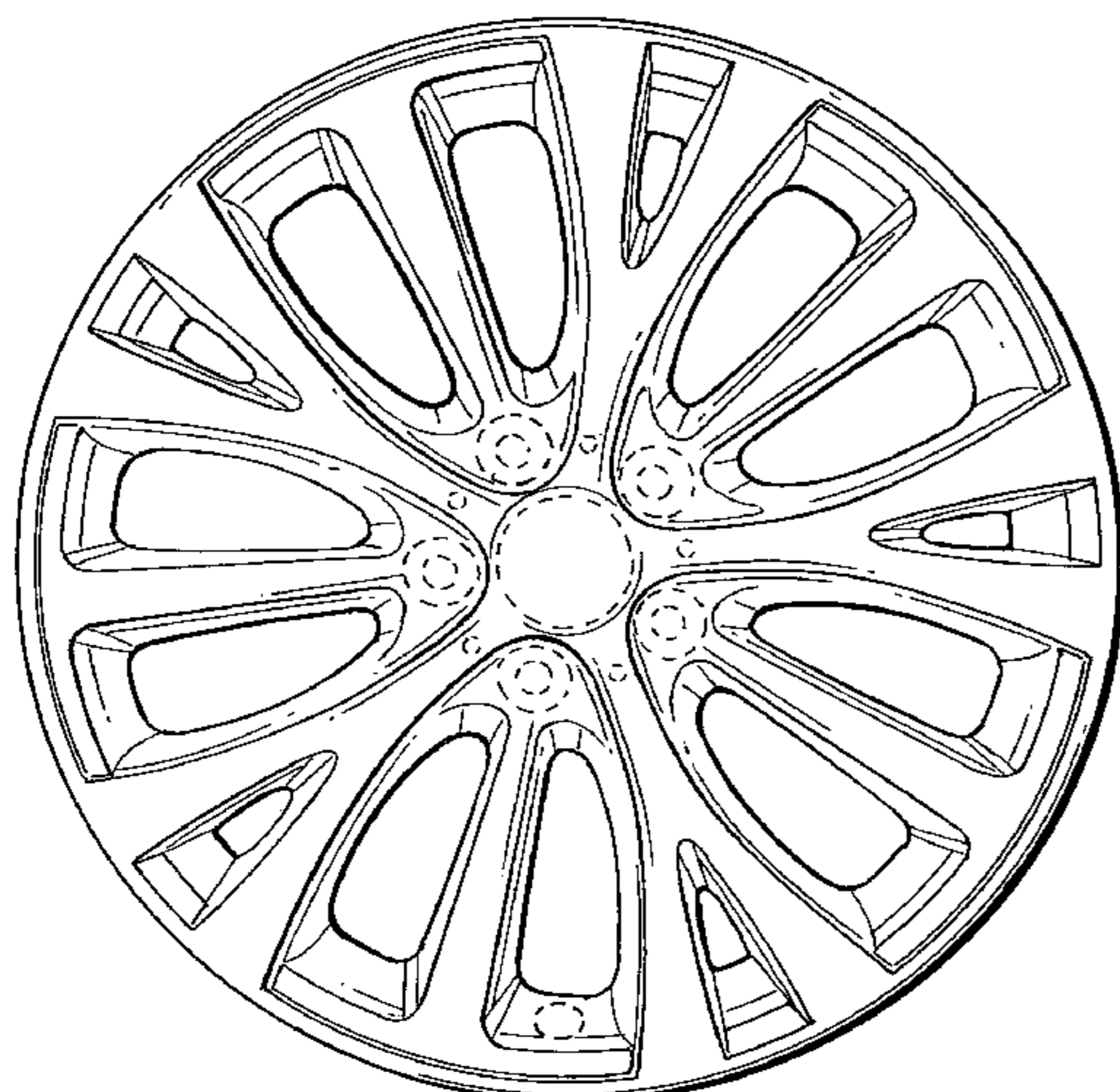
Application Ser. No. 29/309,913.

FIG. 1 is a front view of a wheel or wheel cover according to our design; and,

FIG. 2 is a perspective view thereof.

The broken line showing of the rear of the rim and the bolt holes in the central hub area is included for the purpose of illustrating environment and forms no part of the claimed design.

1 Claim, 1 Drawing Sheet



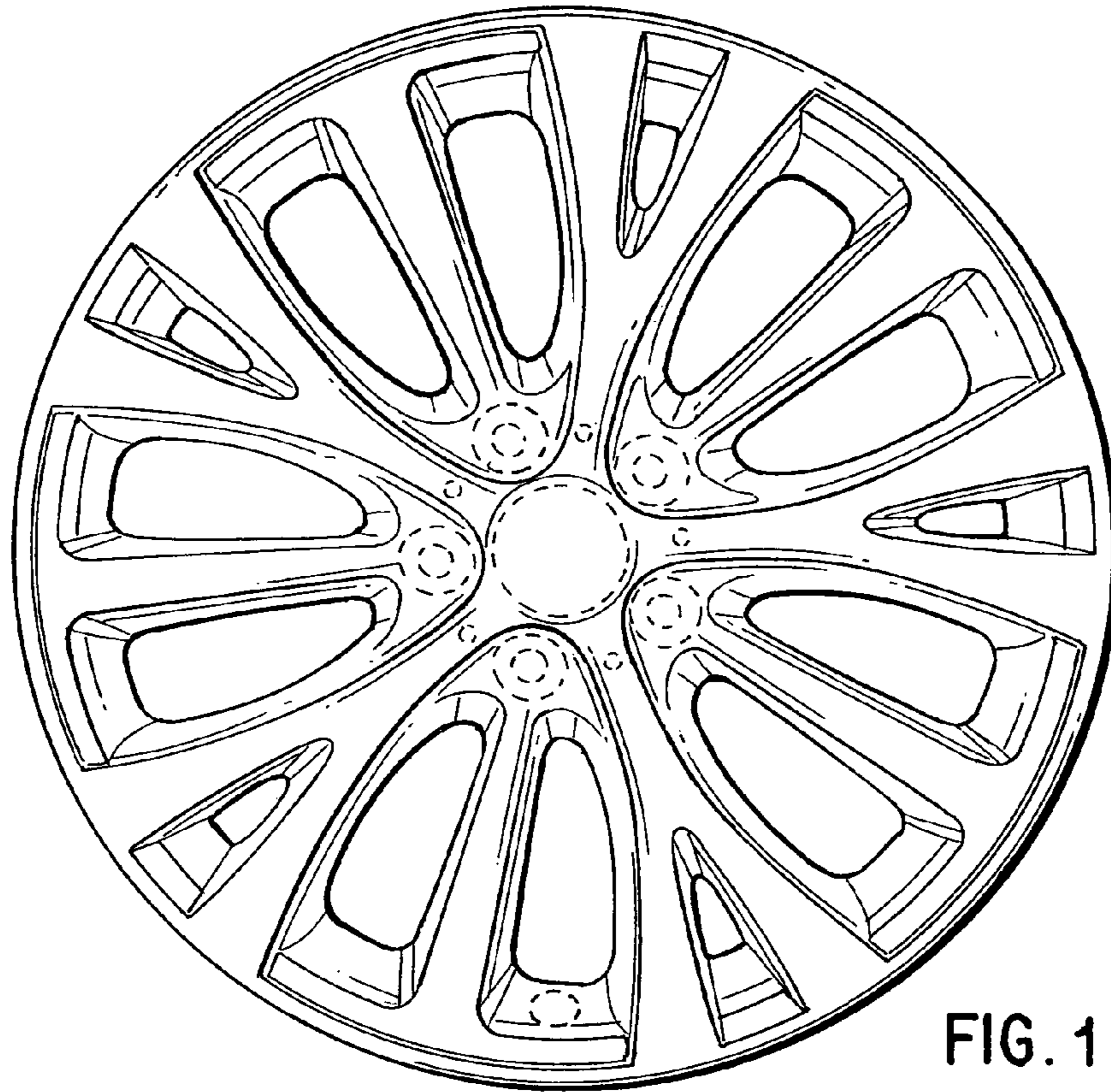


FIG. 1

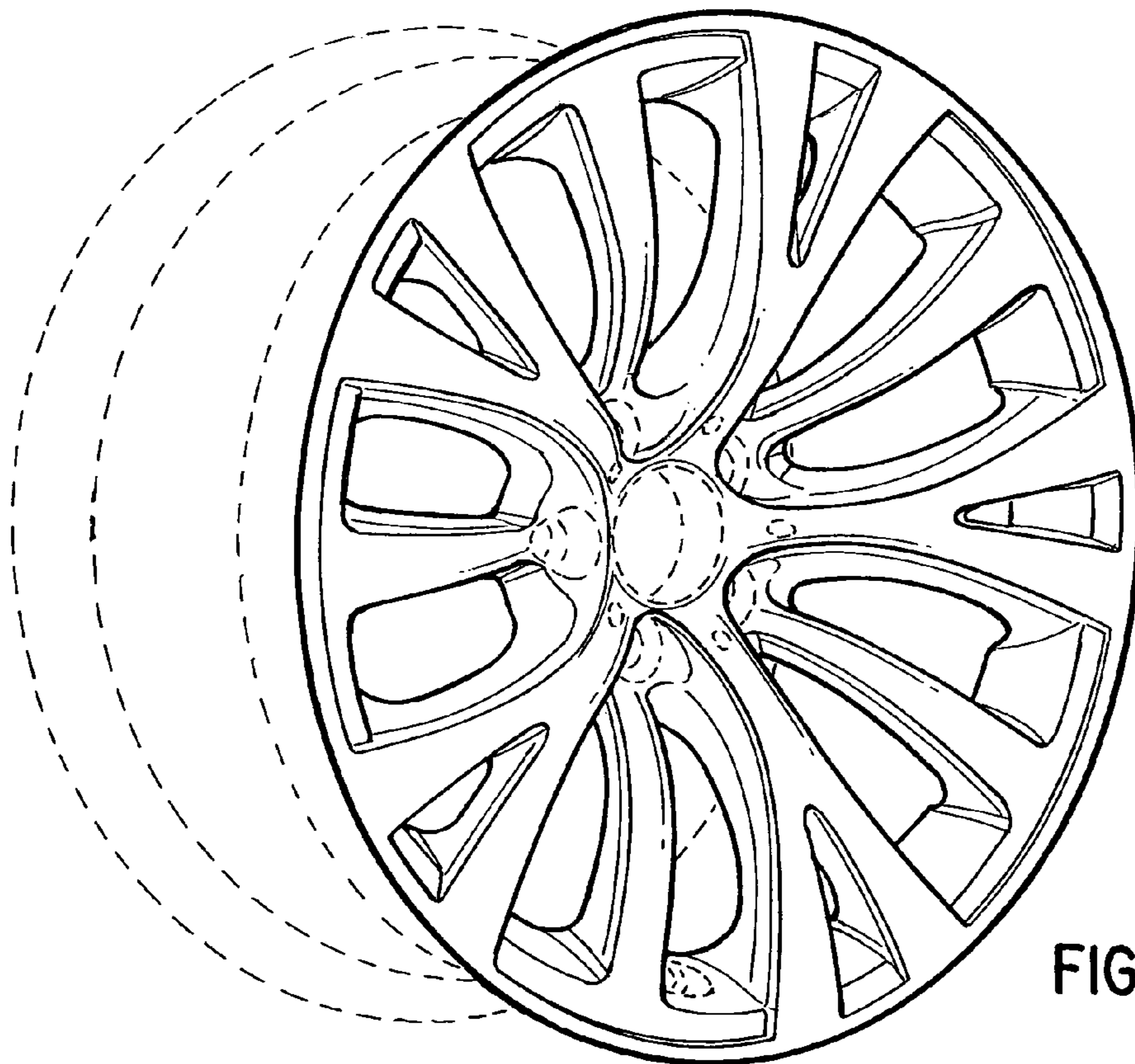


FIG. 2