



US00D612783S

(12) **United States Design Patent**
Emler

(10) **Patent No.:** **US D612,783 S**
(45) **Date of Patent:** **** Mar. 30, 2010**

(54) **RESONANCE CHAMBER OFFSET ON A CONDUIT OF AN EMISSION SYSTEM**

7,510,050 B2 3/2009 Emler
7,552,797 B2 6/2009 Luttig
2005/0139417 A1* 6/2005 Quast 181/227

(76) Inventor: **Don Emler**, 18033 S. Santa Fe Ave.,
Rancho Dominguez, CA (US) 90221

OTHER PUBLICATIONS

U.S. Appl. No. 29/339,827, filed Jul. 8, 2009, 1 page.
U.S. Appl. No. 29/339,826, filed Jul. 8, 2009, 1 page.

(**) Term: **14 Years**

* cited by examiner

(21) Appl. No.: **29/339,825**

Primary Examiner—Robert M Spear

(22) Filed: **Jul. 8, 2009**

Assistant Examiner—Cynthia Underwood

(51) **LOC (9) Cl.** **12-16**

(74) *Attorney, Agent, or Firm*—Shook Hardy & Bacon, LLP

(52) **U.S. Cl.** **D12/194**

(57) **CLAIM**

(58) **Field of Classification Search** D12/194,
D12/190, 400, 114; D15/5; D21/145; 280/152.1–152.3,
280/160.1, 304.3, 770, 848, 552; 181/239–243,
181/227, 249, 255, 228, 247, 252, 284; 60/323,
60/276, 272; 123/41.73, 41.7, 184.34, 184.36

The ornamental design for a resonance chamber offset on a conduit of an emission system, as shown and described.

See application file for complete search history.

DESCRIPTION

(56) **References Cited**

FIG. 1 is a perspective view of a resonance chamber offset on a conduit of an emission system of the present invention;

U.S. PATENT DOCUMENTS

FIG. 2 is a top plan view thereof, a bottom plan view thereof being a minor image thereof;

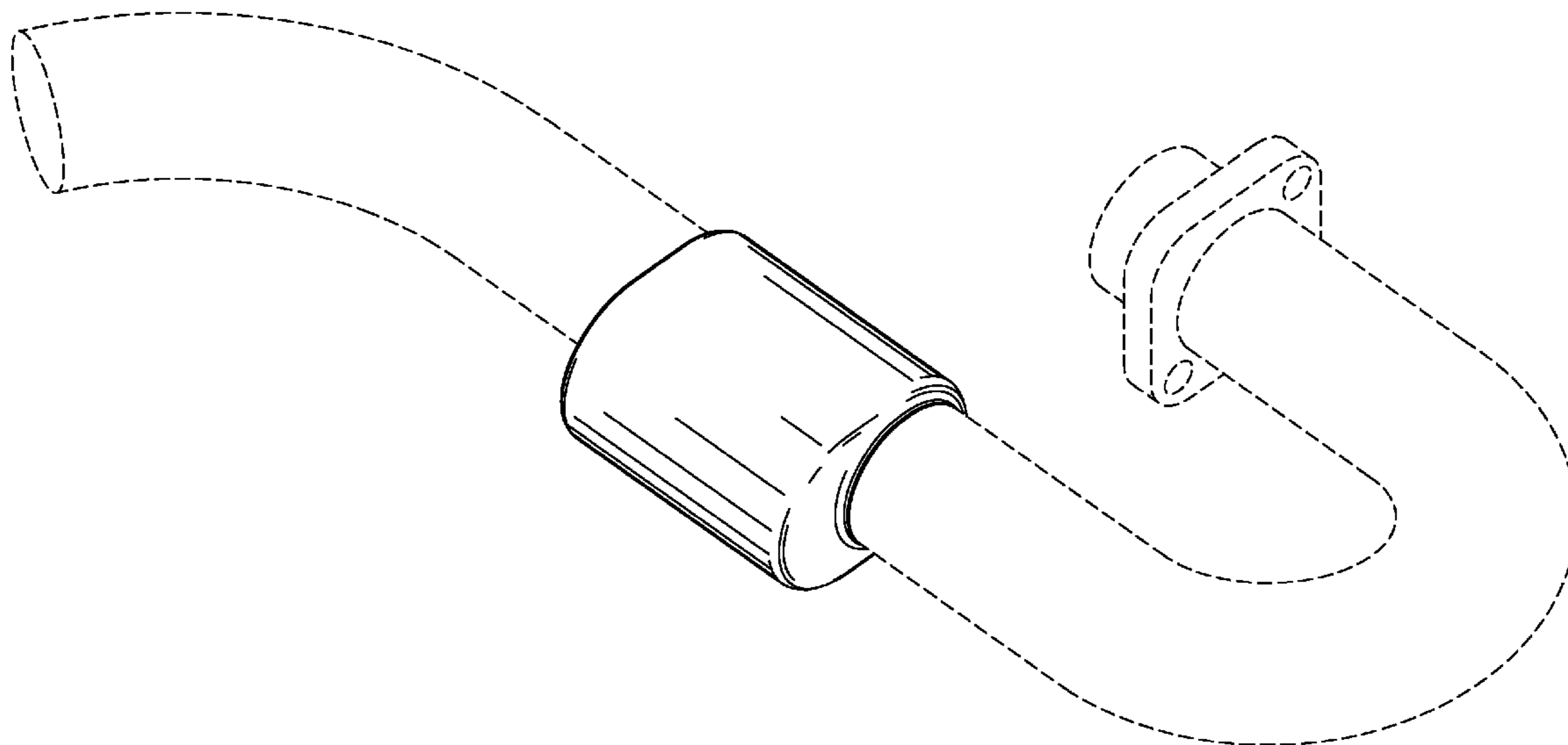
D165,057 S *	11/1951	Deremer	D12/194
4,537,278 A *	8/1985	Okada et al.	181/227
4,756,383 A *	7/1988	Sterrett	181/243
6,415,889 B1 *	7/2002	Wyatt	181/282
D488,755 S *	4/2004	Kulla	D12/194
6,827,173 B2 *	12/2004	Lai	180/309
6,892,852 B2 *	5/2005	Klein	181/227
7,044,266 B2 *	5/2006	Petracek	181/269
D534,848 S *	1/2007	Murkett	D12/194
D574,309 S *	8/2008	Unfried et al.	D12/194
D578,050 S *	10/2008	Hsu	D12/194
7,464,787 B2 *	12/2008	Davis, Jr.	181/227
7,506,722 B2	3/2009	Emler		

FIG. 3 is a right side elevational view thereof, a left side elevation view thereof being a minor image thereof; and,

FIG. 4 is a front side elevation view thereof, a back side elevational view thereof being a mirror image thereof.

The broken lines shown in the drawings are directed toward environment, are for informational purposes only, and form no part of the claimed design. The boundary lines of the conduit are shown in evenly spaced, dashed lines and are not intended to form part of the claimed design.

1 Claim, 2 Drawing Sheets



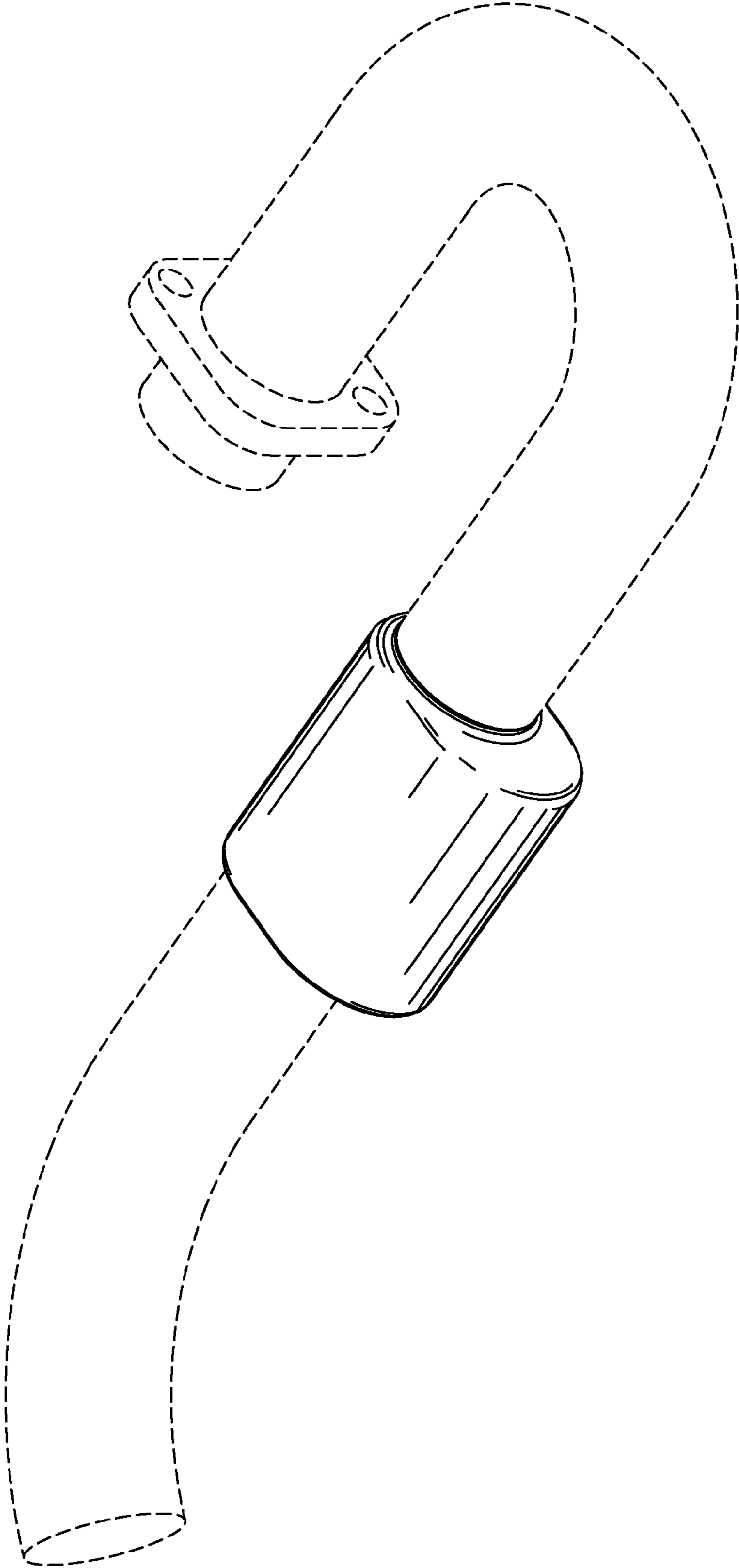


FIG. 1

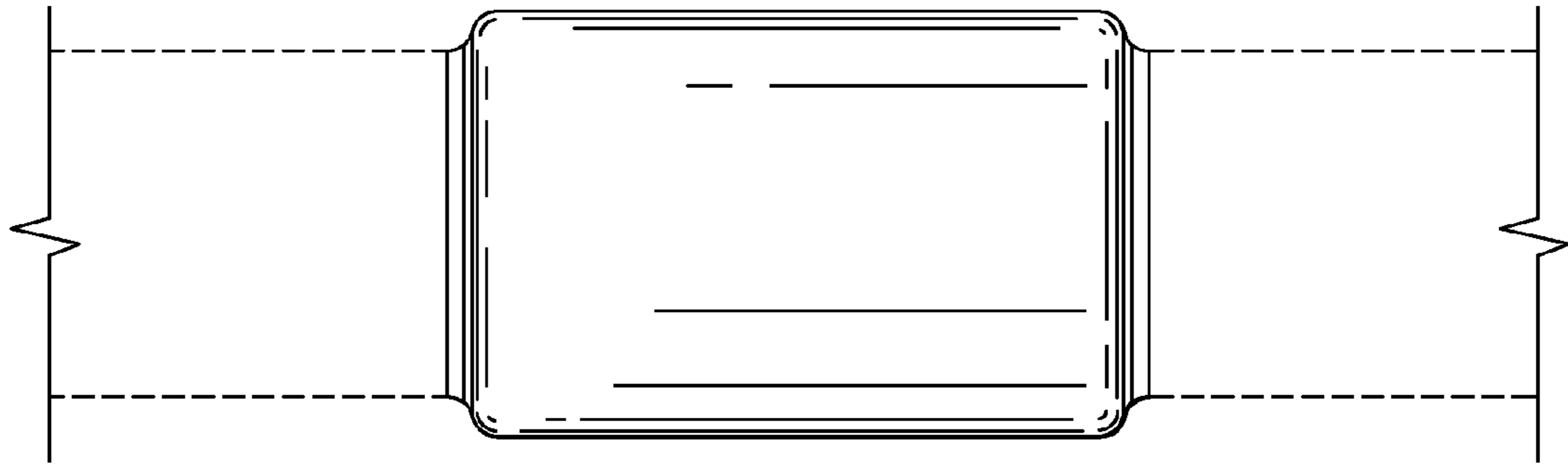


FIG. 2

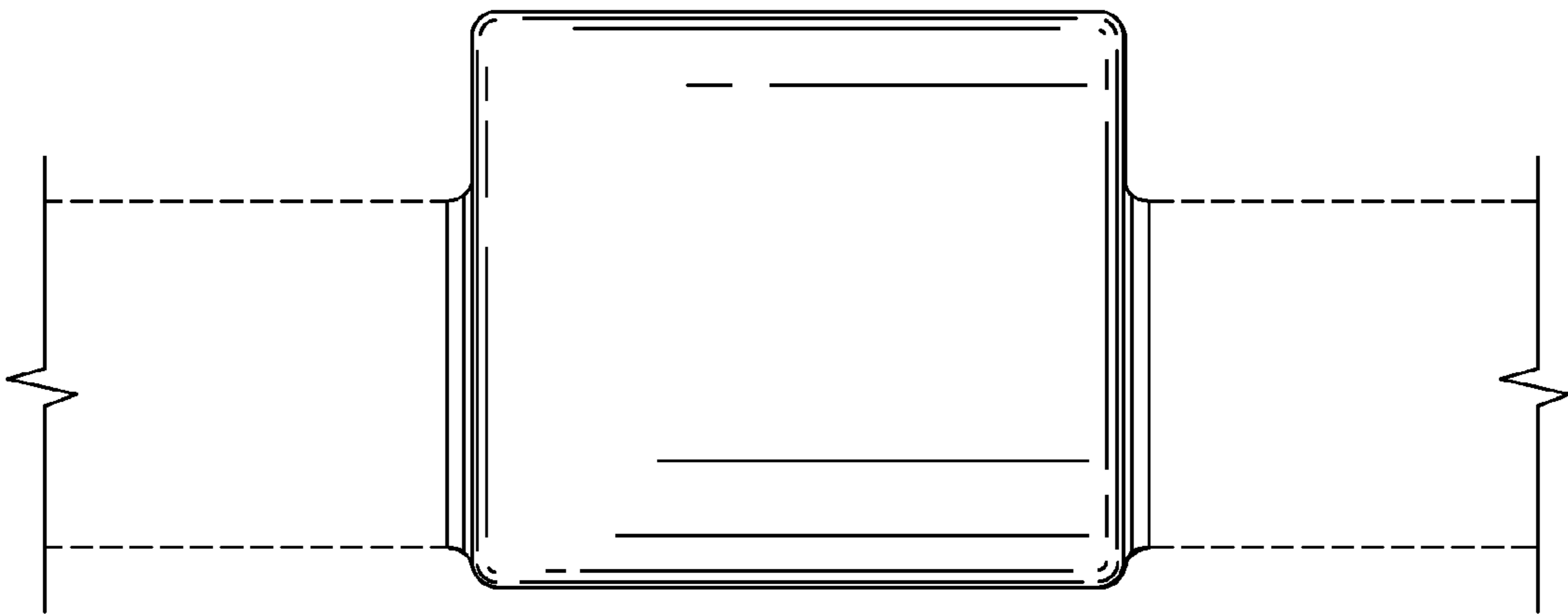


FIG. 3

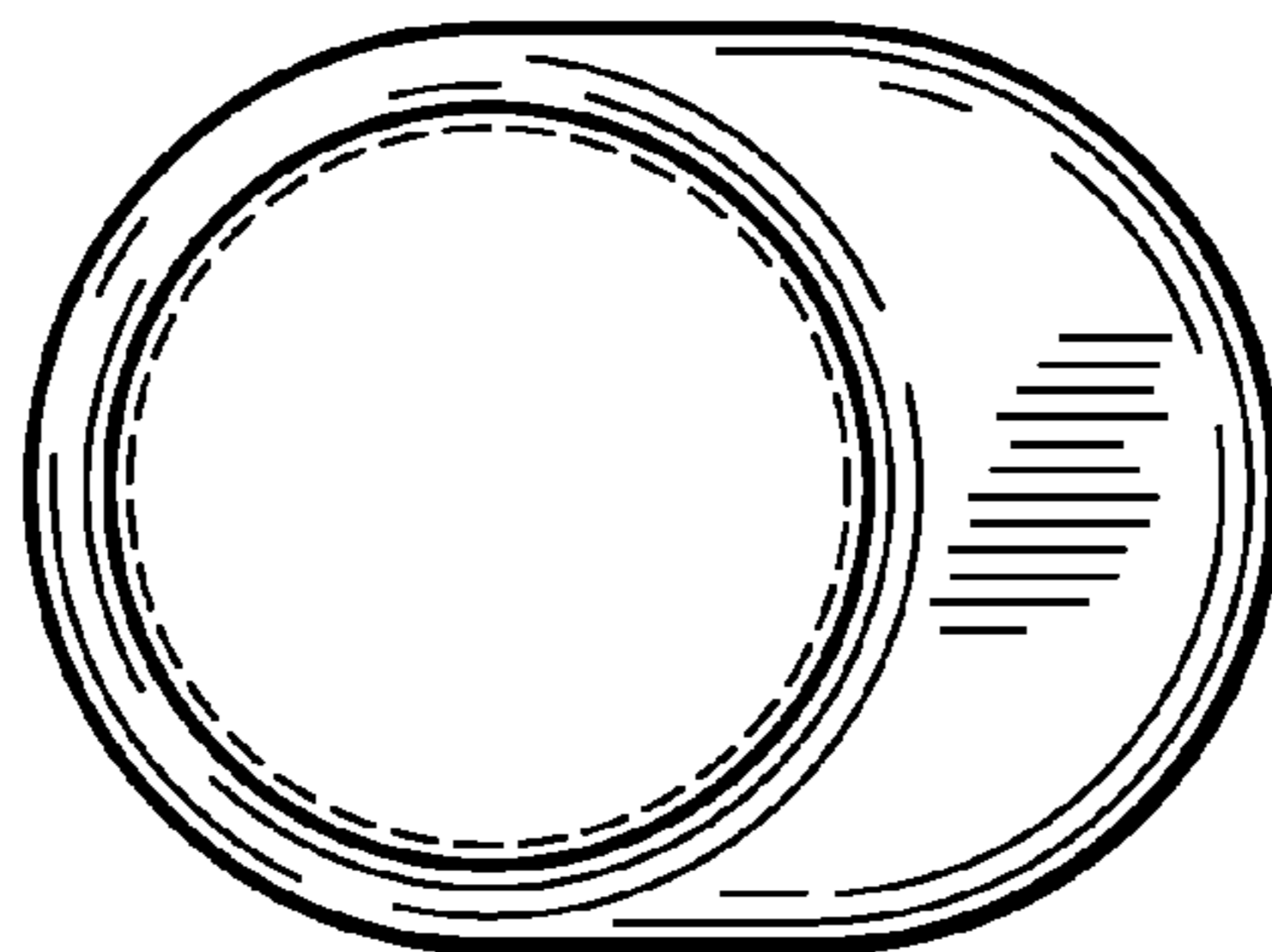


FIG. 4