



US00D612778S

(12) **United States Design Patent**  
**Beigel et al.**

(10) **Patent No.:** **US D612,778 S**

(45) **Date of Patent:** **\*\* Mar. 30, 2010**

(54) **BUMPER OF A TRUCK VEHICLE**

(56) **References Cited**

(75) Inventors: **David J. Beigel**, Payne, OH (US);  
**Marcey K. Collins**, Fort Wayne, IN  
(US); **Vikas Deshmukh**, Kasarwadi  
(IN); **Stefano Giolitto**, Southfield, MI  
(US); **Andrew J. Krum**, Fort Wayne, IN  
(US); **Vijay Limbkar**, Aundh Annexe  
(IN); **William Ratliff**, Commerce  
Township, MI (US); **Ronald E. Schoon**,  
Fort Wayne, MI (US); **Anthony Lynn**  
**Schroeder**, Leo, IN (US); **Jaimi Smith**,  
Lake Orion, MI (US); **Kris K.**  
**Timmerman**, Hometown, IN (US);  
**Robert Scott Tirey**, Fort Wayne, IN  
(US); **Bruce Youngs**, Novi, MI (US)

U.S. PATENT DOCUMENTS

D458,565 S *	6/2002	Maher et al. ....	D12/169
D482,302 S *	11/2003	Dozier et al. ....	D12/169
D570,739 S *	6/2008	Emoto et al. ....	D12/96
D570,740 S *	6/2008	Emoto et al. ....	D12/96
D570,741 S *	6/2008	Emoto et al. ....	D12/96
D589,846 S *	4/2009	Tanaka .....	D12/96

\* cited by examiner

*Primary Examiner*—Melody N Brown  
(74) *Attorney, Agent, or Firm*—Jeffrey P. Calfa; Mark C. Bach; Gerald W. Askew

(73) Assignee: **Mahindra Navistar Automotives Limited** (IN)

(57) **CLAIM**

The ornamental design for a bumper of a truck vehicle, as shown and described.

(\*\*) Term: **14 Years**

**DESCRIPTION**

(21) Appl. No.: **29/341,104**

(22) Filed: **Jul. 30, 2009**

(51) **LOC (9) Cl.** ..... **12-16**

(52) **U.S. Cl.** ..... **D12/169**

(58) **Field of Classification Search** ..... D12/169,  
D12/196, 171, 216, 163, 86, 90–92; 293/102,  
293/113, 115, 117, 120; 296/180.1, 180.2

FIG. 1 is a left, front perspective view of a bumper of a truck vehicle showing our new design;

FIG. 2 is a left view thereof;

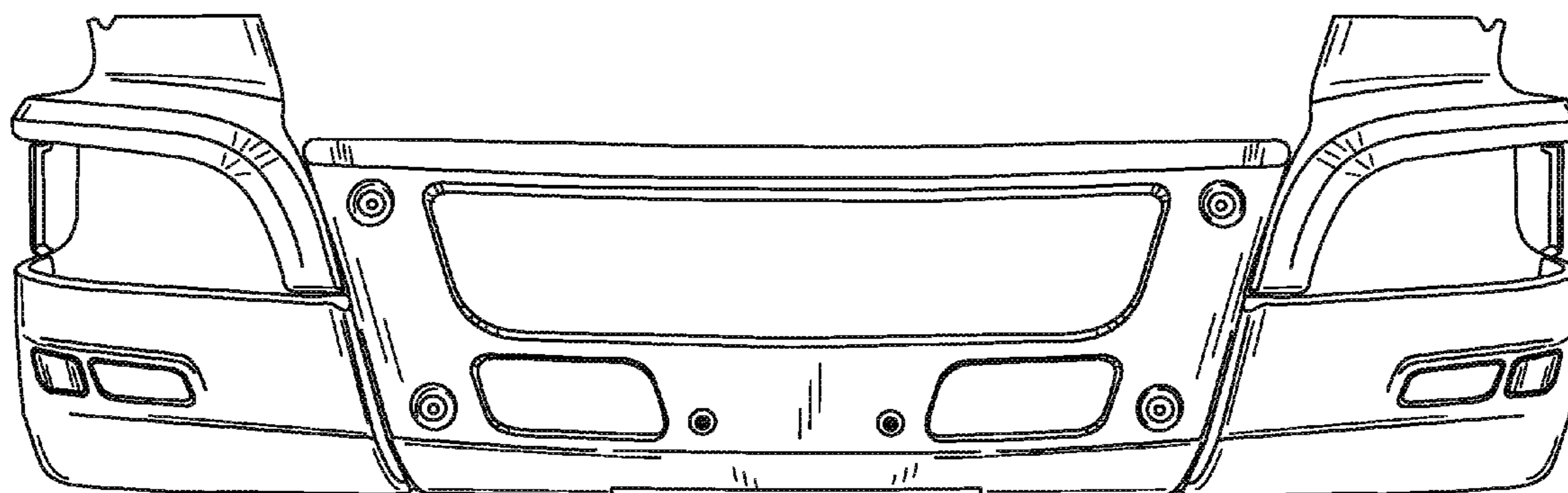
FIG. 3 is a right view thereof;

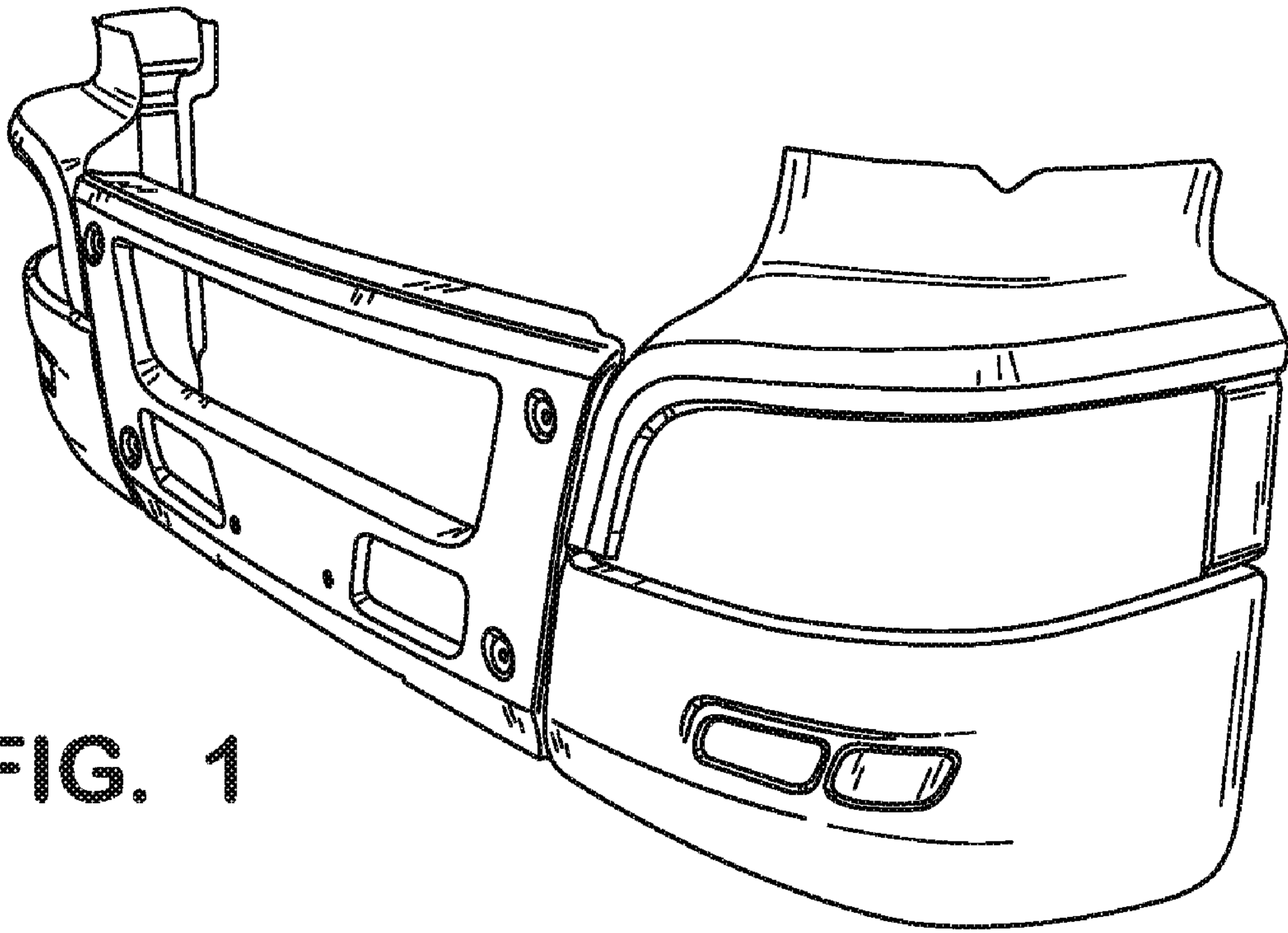
FIG. 4 is a front view thereof; and,

FIG. 5 is a top view thereof.

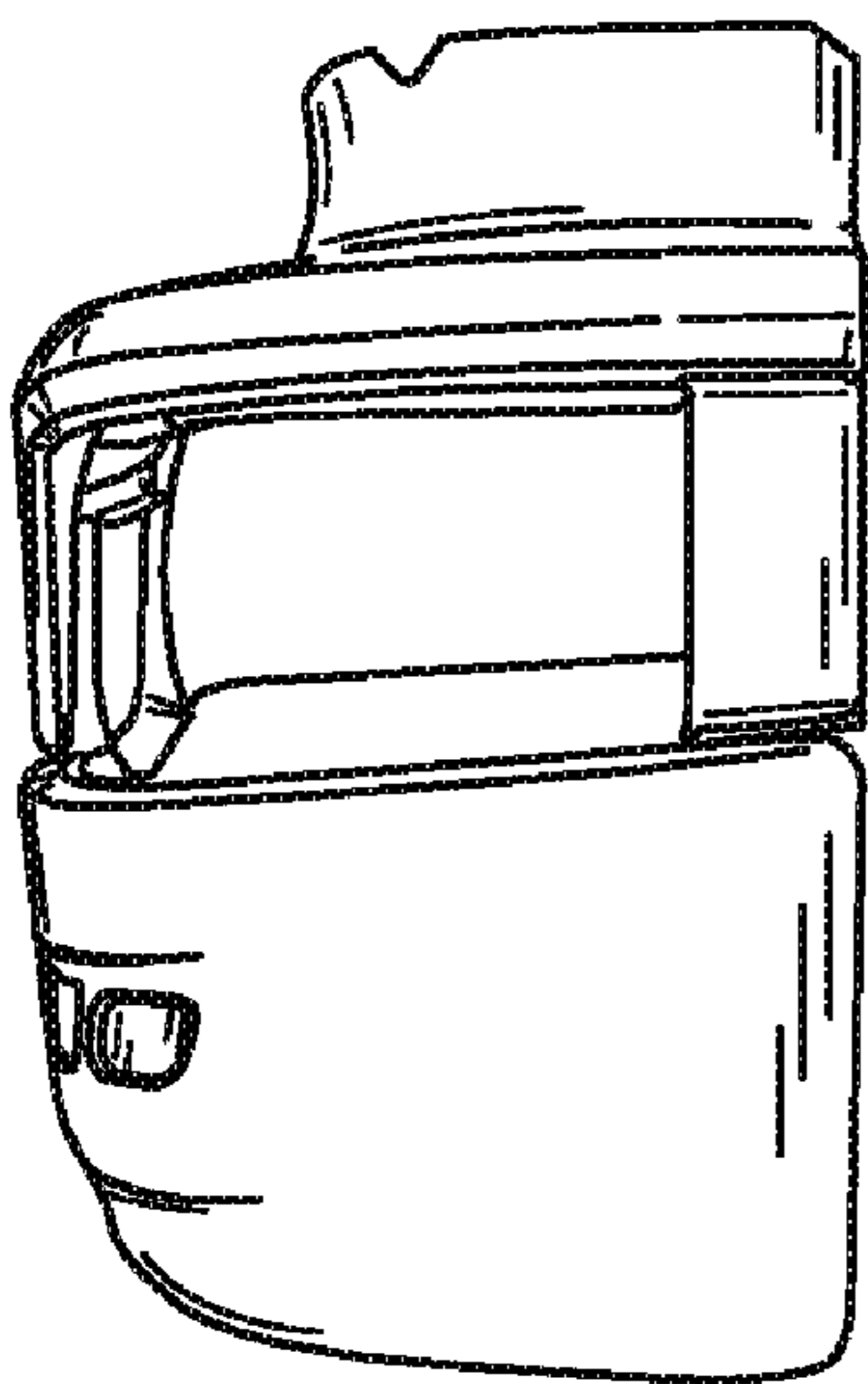
See application file for complete search history.

**1 Claim, 2 Drawing Sheets**

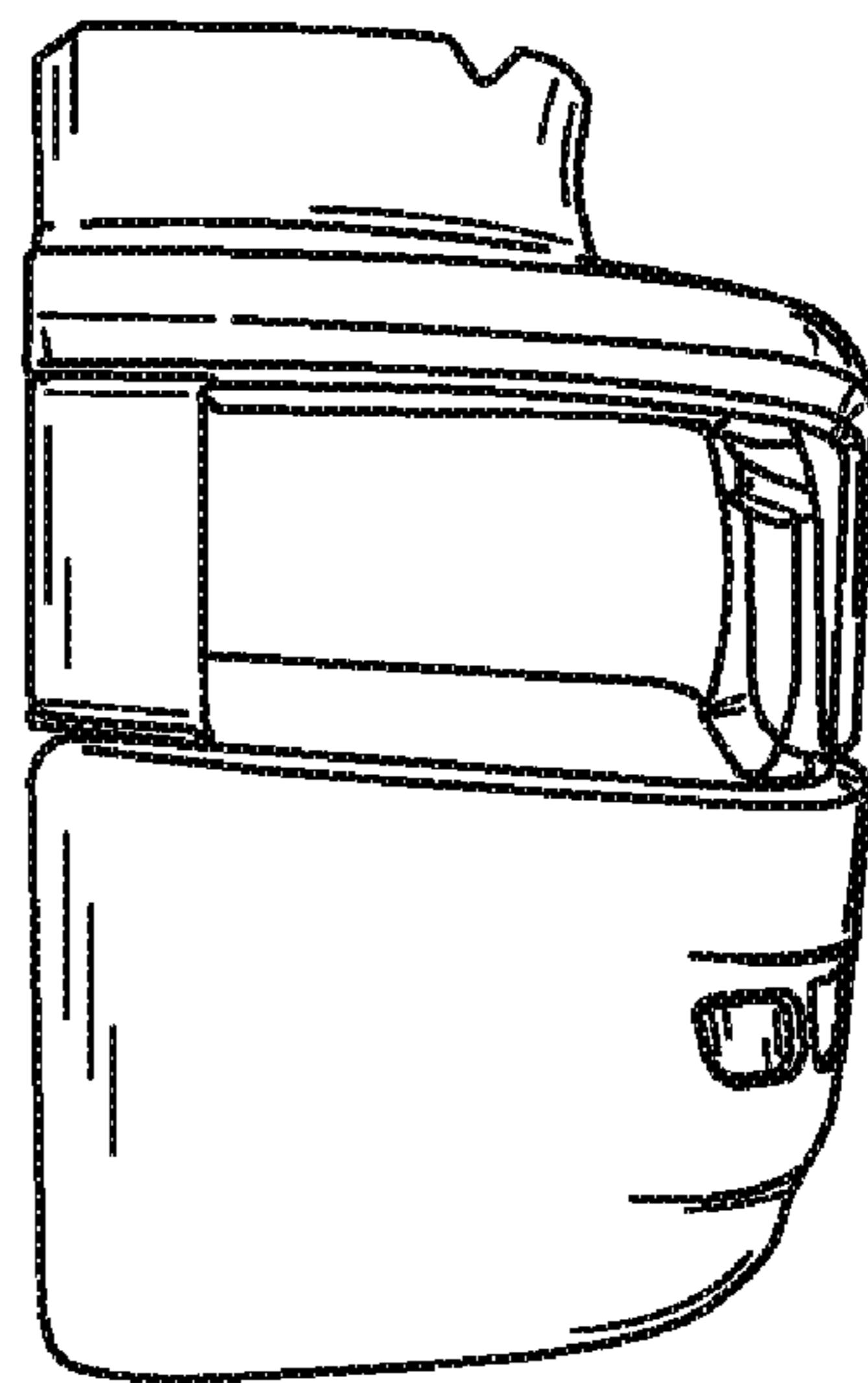




**FIG. 1**



**FIG. 2**



**FIG. 3**

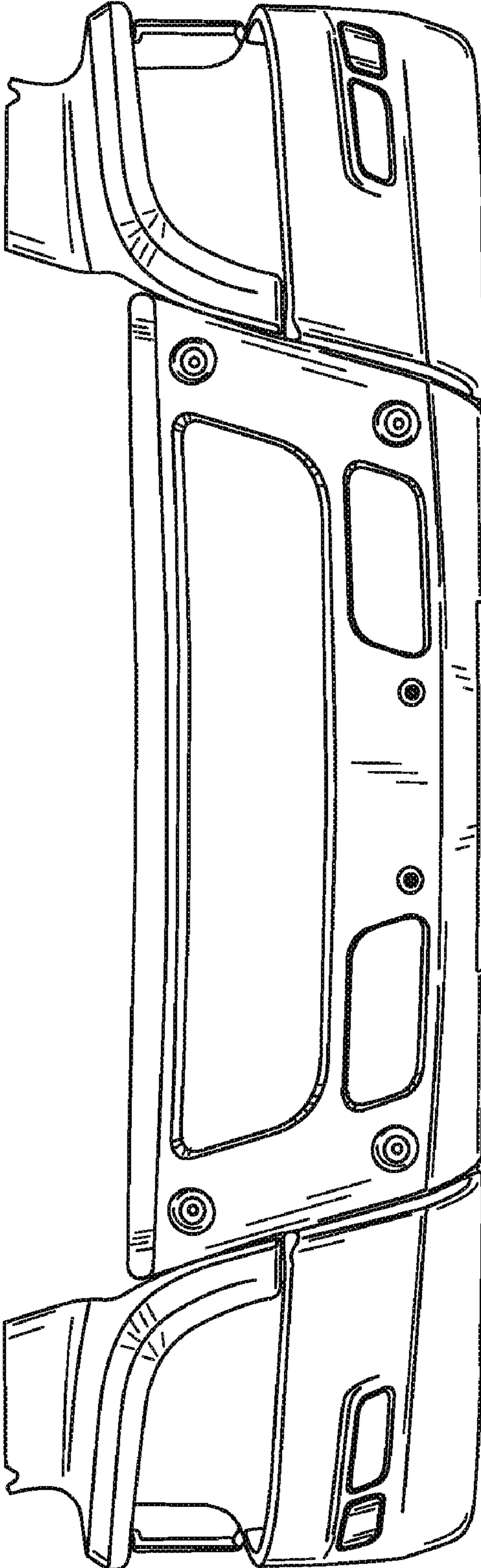


FIG. 4

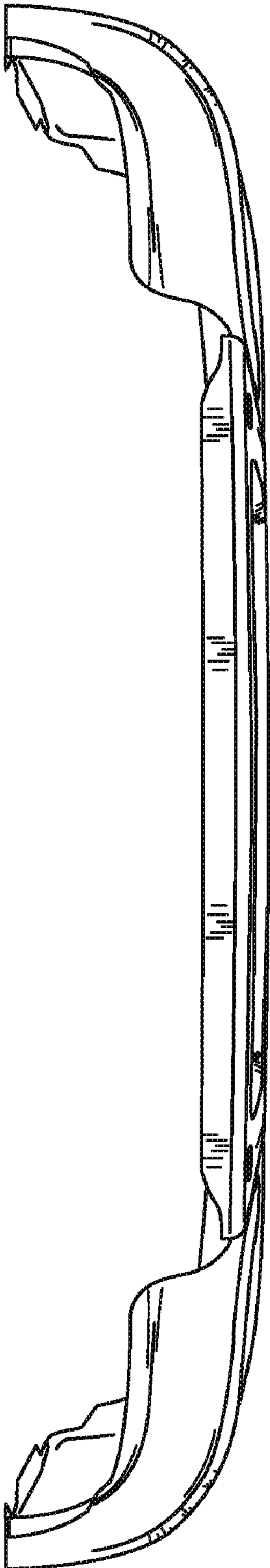


FIG. 5