



US00D612774S

(12) **United States Design Patent**
Gordon

(10) **Patent No.:** **US D612,774 S**
(45) **Date of Patent:** **** Mar. 30, 2010**

(54) **BANNER APPARATUS FOR VEHICLE TRAILER HITCH RECEIVER**

D584,363 S * 1/2009 Gordon D20/43

(76) Inventor: **Richard Gordon**, 36 Bud Field Dr.,
Palm Coast, FL (US) 32137

* cited by examiner

(**) Term: **14 Years**

Primary Examiner—T. Chase Nelson
Assistant Examiner—Kathleen M Sims
(74) *Attorney, Agent, or Firm*—QuickPatents, Inc.; Kevin Prince

(21) Appl. No.: **29/328,968**

(57) **CLAIM**

(22) Filed: **Dec. 4, 2008**

I claim the ornamental design for a banner apparatus for vehicle trailer hitch receiver, as shown and described.

(51) **LOC (9) Cl.** **12-16**

(52) **U.S. Cl.** **D12/162; D20/43**

(58) **Field of Classification Search** D12/162,
D12/114, 223, 400; D11/166, 181–183;
D20/10, 19, 43, 99; 248/519, 538; 40/591,
40/603–604, 606.01, 606.03; 116/173–175;
224/512, 519; 280/511; D10/109
See application file for complete search history.

DESCRIPTION

(56) **References Cited**

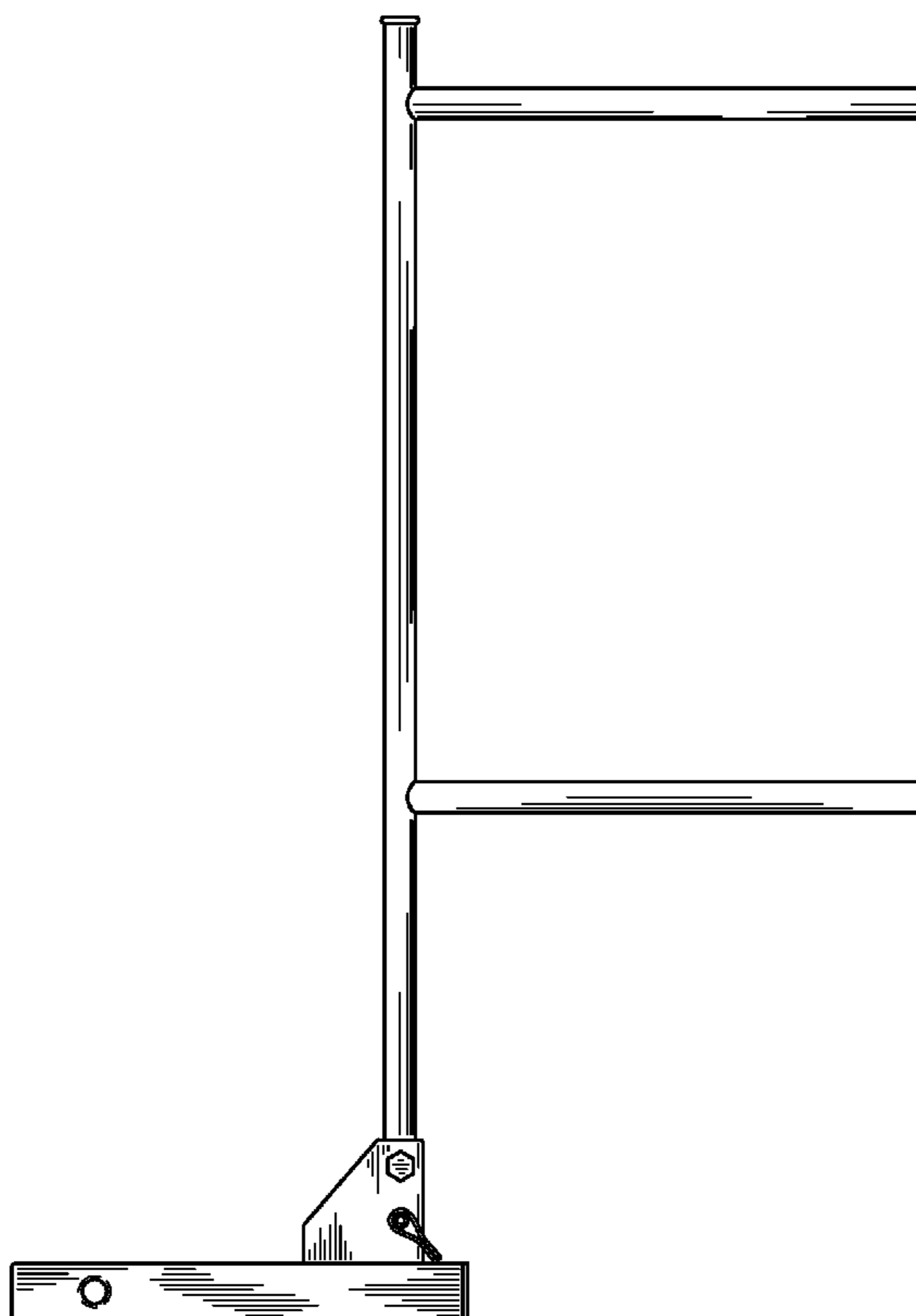
U.S. PATENT DOCUMENTS

- 4,880,195 A * 11/1989 Lepley 248/219.4
- 5,089,803 A * 2/1992 Bohn 340/425.5
- 5,388,794 A * 2/1995 Wolff 248/219.4
- 6,293,221 B1 * 9/2001 Kinahan 116/174
- 6,557,483 B2 * 5/2003 Nathan 116/28 R

FIG. 1 is a perspective view of a banner apparatus for vehicle trailer hitch receiver, showing my new design;
FIG. 2 is a rear elevational view of the invention;
FIG. 3 is a front elevational view of the invention;
FIG. 4 is a right-side elevational view of the invention;
FIG. 5 is a left-side elevational view of the invention;
FIG. 6 is a top plan view of the invention; and,
FIG. 7 is a bottom plan view of the invention.

The broken lines showing a vehicle in FIG. 1 are included for the purpose of illustrating the invention in use, and form no part of the claimed design.

1 Claim, 3 Drawing Sheets



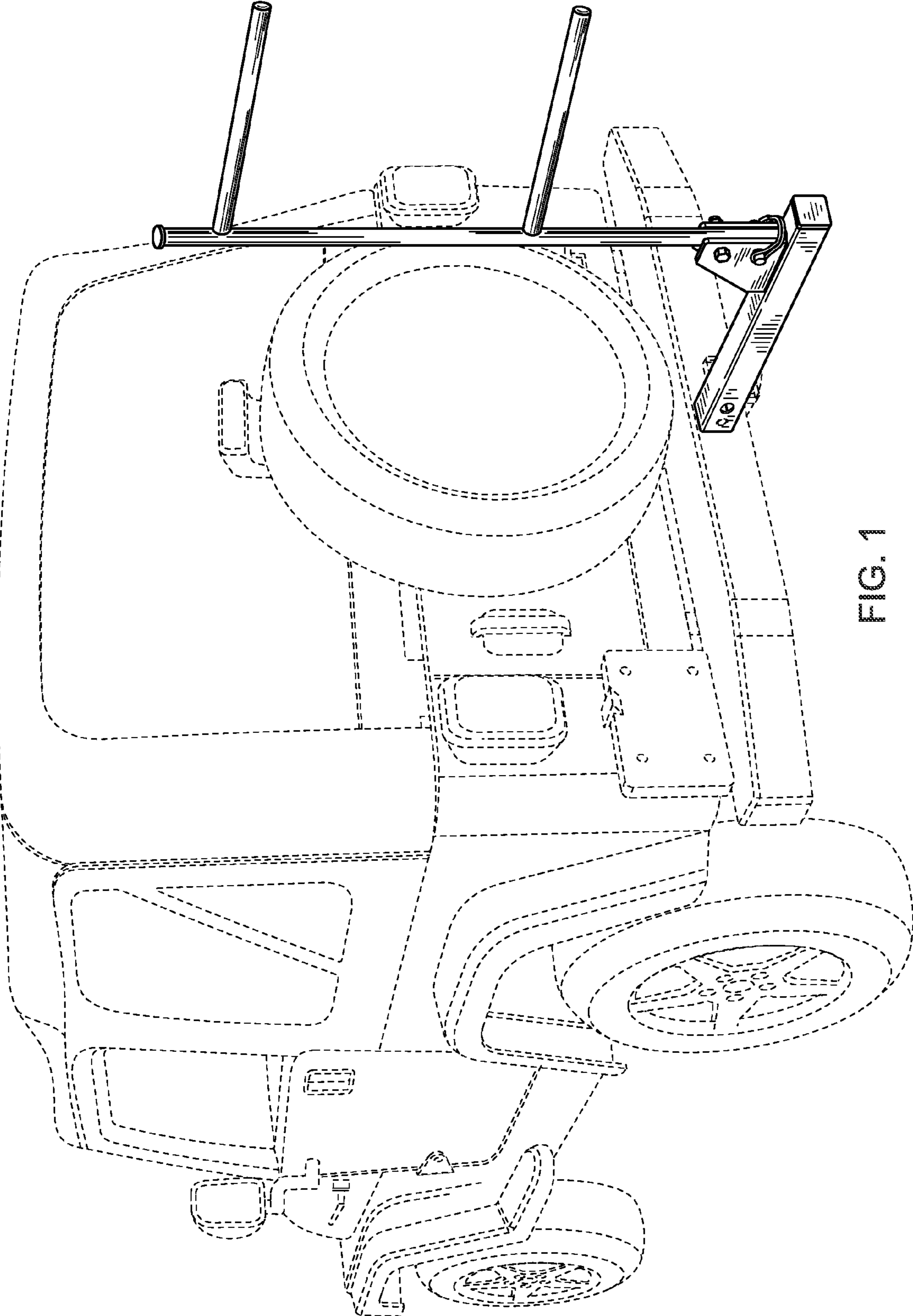


FIG. 1



FIG. 2

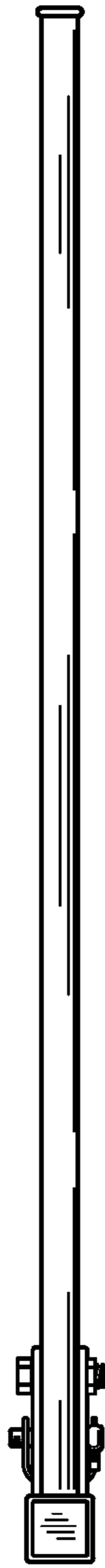


FIG. 3

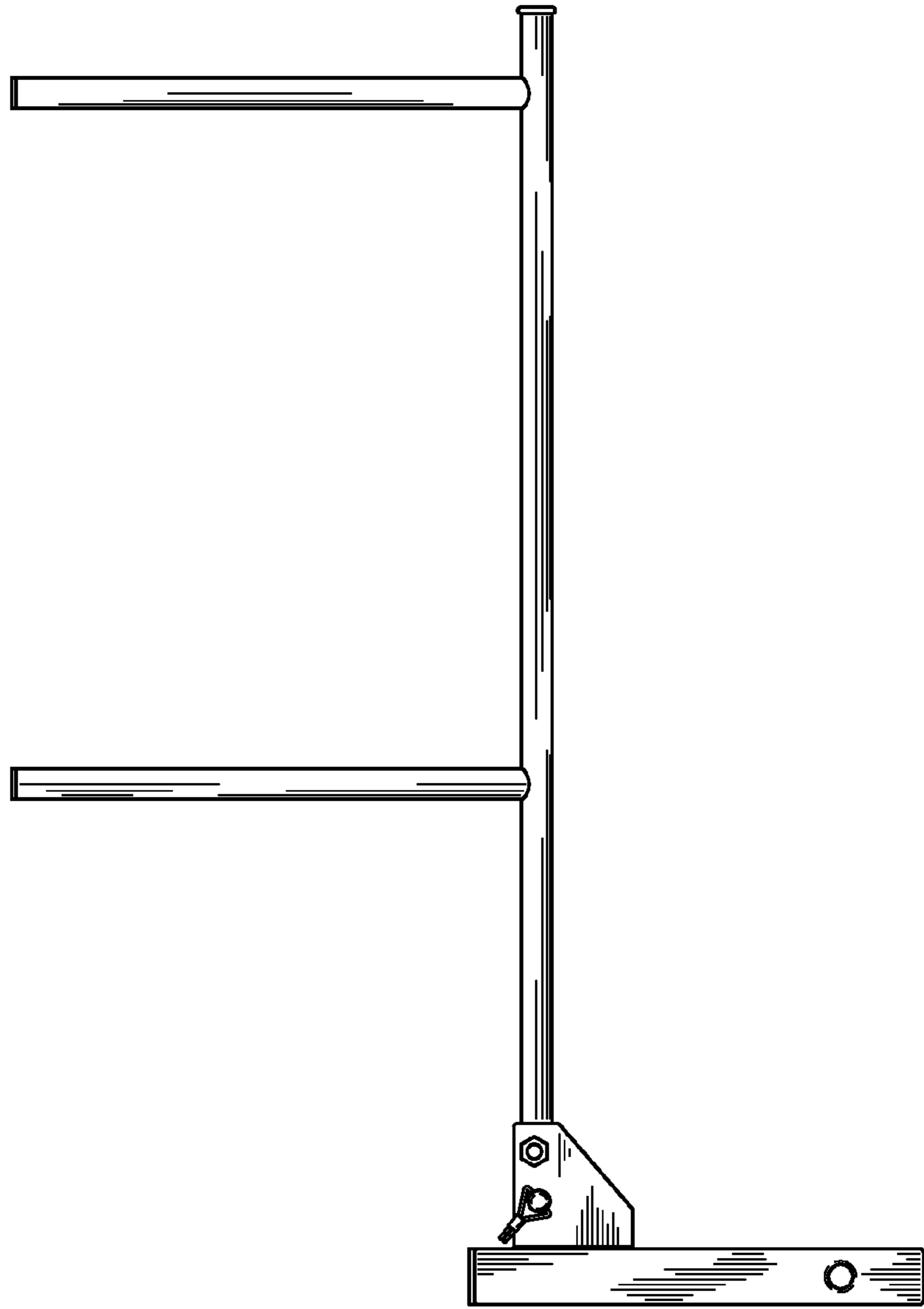


FIG. 4

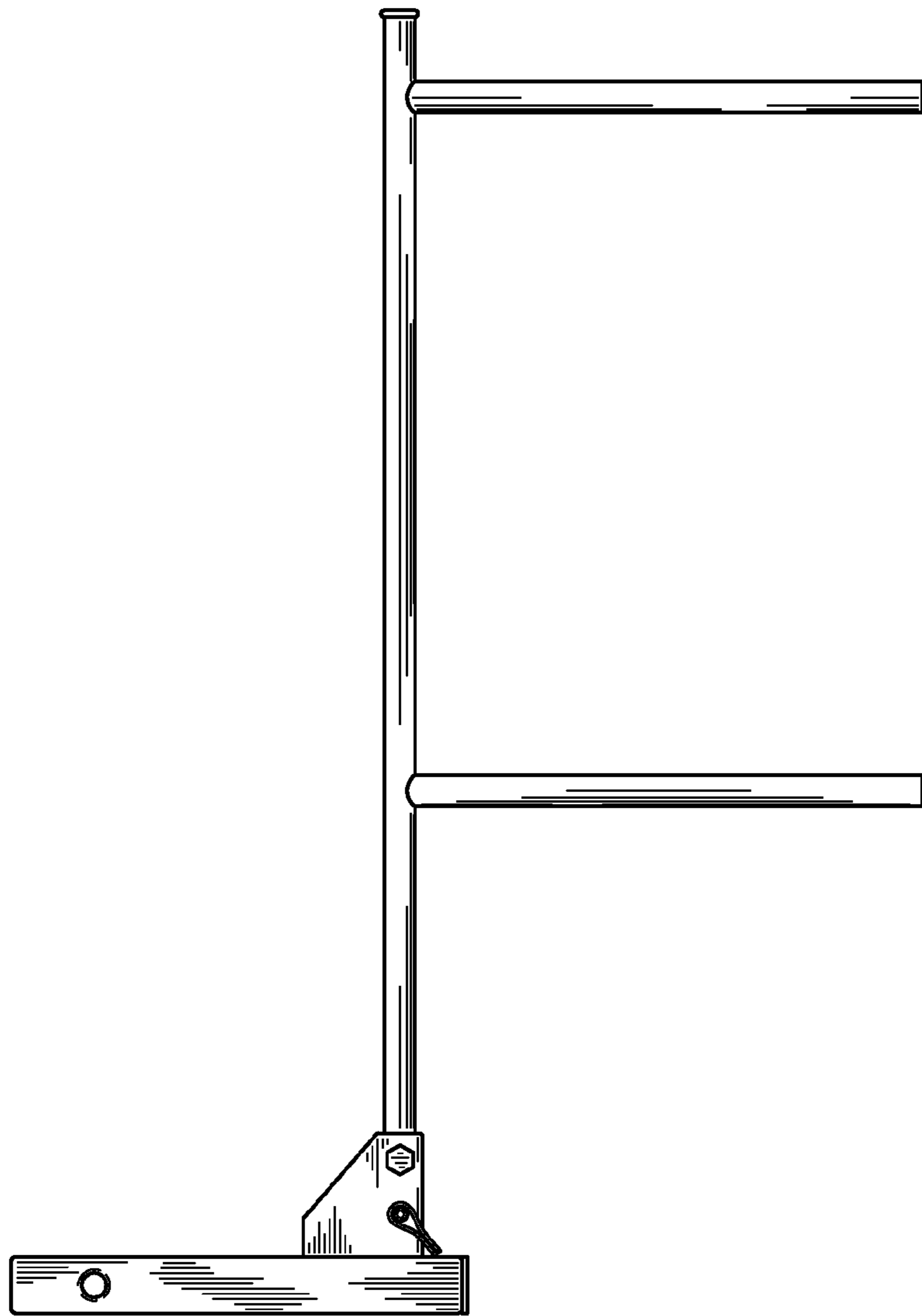


FIG. 5



FIG. 6

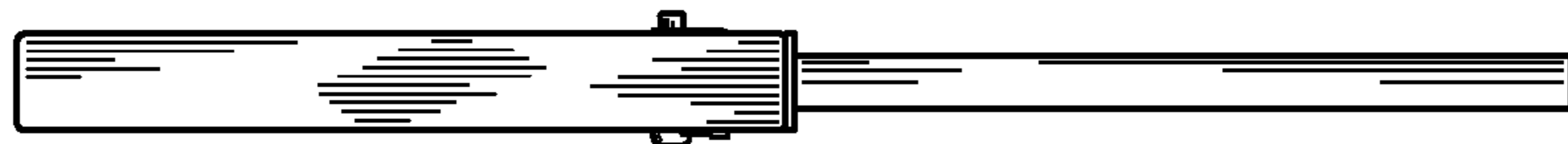


FIG. 7